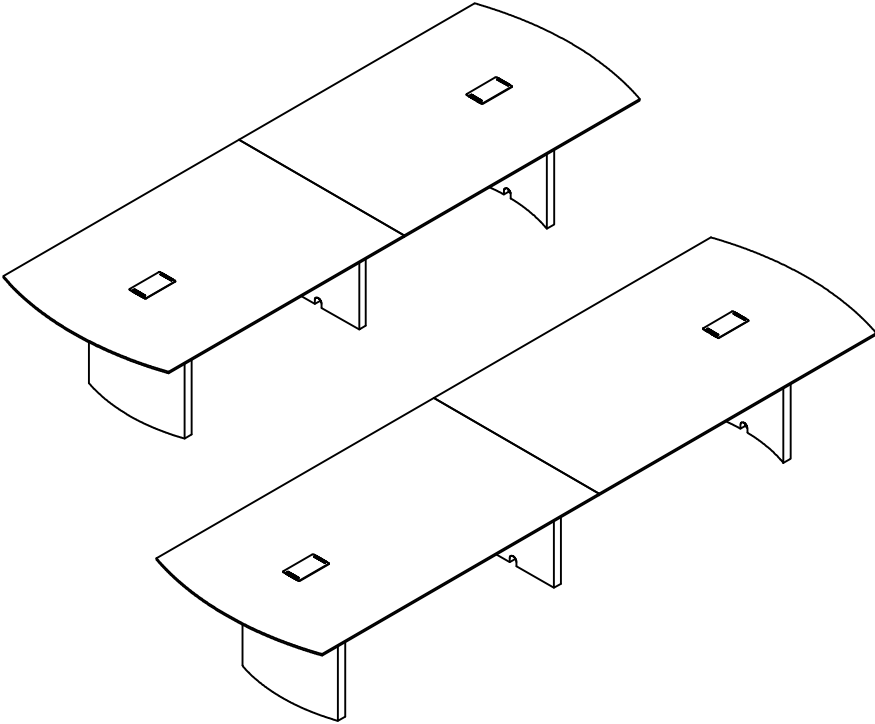

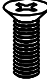



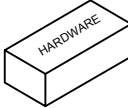
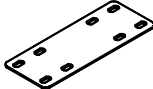


12' / 14' Conference Table



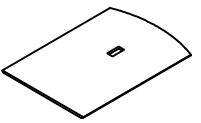
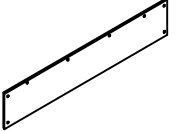
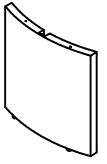
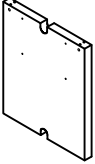
ASSEMBLY INSTRUCTIONS

PARTS LIST

Name	Part	Qty.	Spare Qty	Name	Part	Qty.	Spare Qty
A	 Cam Lock	16	1	E	 M6x15mm	8	1
B	 Plate	14	1	F	 Plate	2	1
C	 Cam Post	16	1		 HARDWARE		
D	 Plate	1					

Items with HB are in hardware box.
 **Denotes Color Code

PARTS LIST

Name	Part	Qty.	Name	Part	Qty.
G	 Top	2	I	 Modesty Panel	4
H	 Leg	2	J	 Center Leg	1

NOTE:

- ①. 12' Conference Table 1/2 Top & Modesty Panel with Hardware packed in one carton
- ②. 14' Conference Table 1/2 Top & Modesty Panel with Hardware packed in one carton -
- ③. Center Leg 12'/14' Conference Tables packed in one carton -
- ④. 2 Legs with Hardware packed in one carton

~~Denotes Size - 72/84

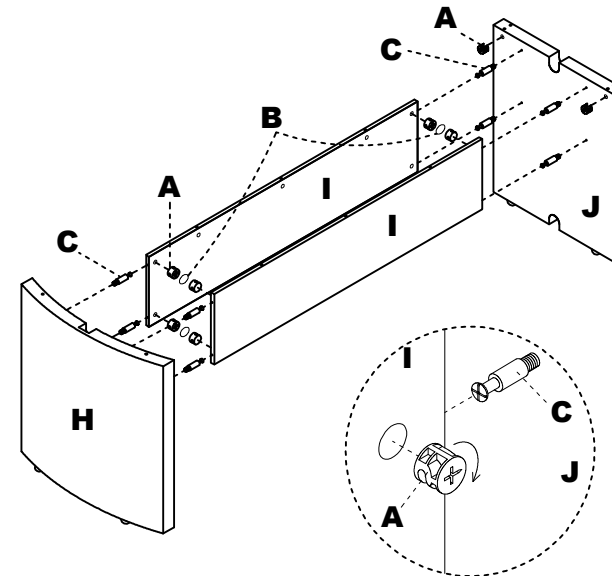
**Denotes Color Code

2

IMPORTANT!

Review ALL instructions before beginning assembly. These instructions are provided to avoid problems that may occur from improper assembly or installation. We and/or its distributor are not responsible for failure resulting from improper assembly or installation of this product. Moreover, all warranties are void for failure to follow these assembly instructions.

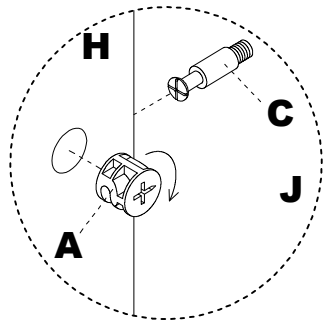
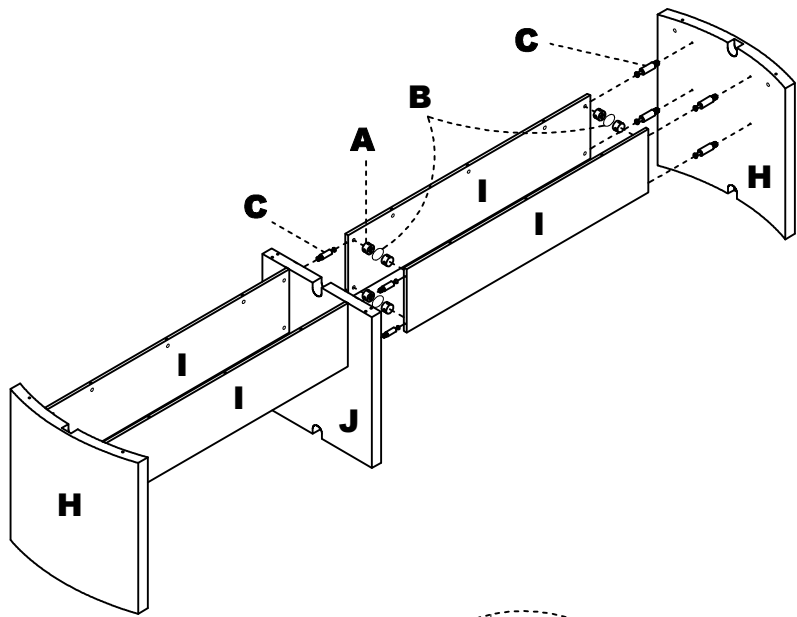
- ① Insert Cams (A) into the Modesty Panels (I) and Leg (H) and Center Leg (J). Install Cam Posts (C) into threaded inserts in Leg (H) and Center Leg (J). Attach Modesty Panels (I) to Leg (H) and Center Leg (J) by turning Cams (A). Apply Cam Stickers/Silver (B) to Cams (A) of Modesty Panels (I).



NOTE: The arrow on the face of the Cam (A) should point towards the Cam Post (C) for proper alignment.

3

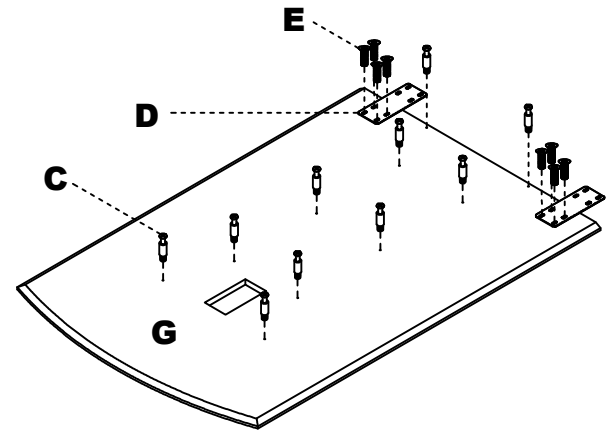
- 2 Follow the Step 1 to install the other Leg (H) and the other Modesty Panels (I).



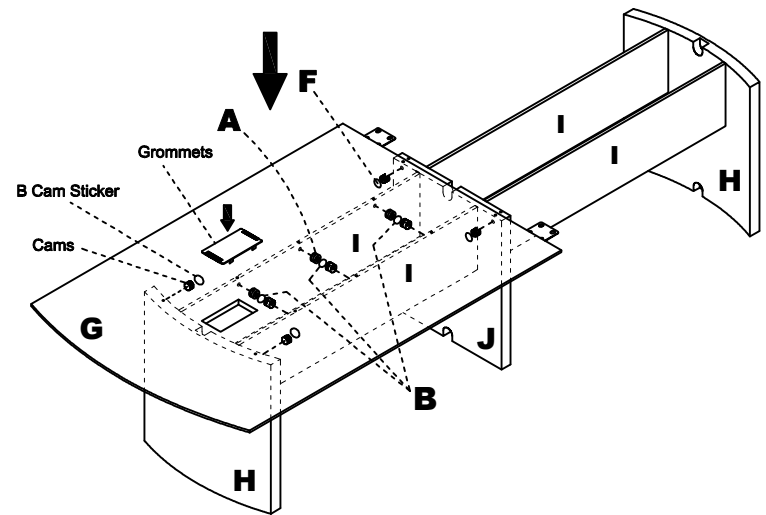
NOTE: The arrow on the face of the Cam (A) should point towards the Cam Post (C) for proper alignment.

4

- 3 Attach Plates (D) to the underside of adjacent Top (G) using Screws (E). Install Cam Posts (C) into threaded inserts in underside of Top (G).

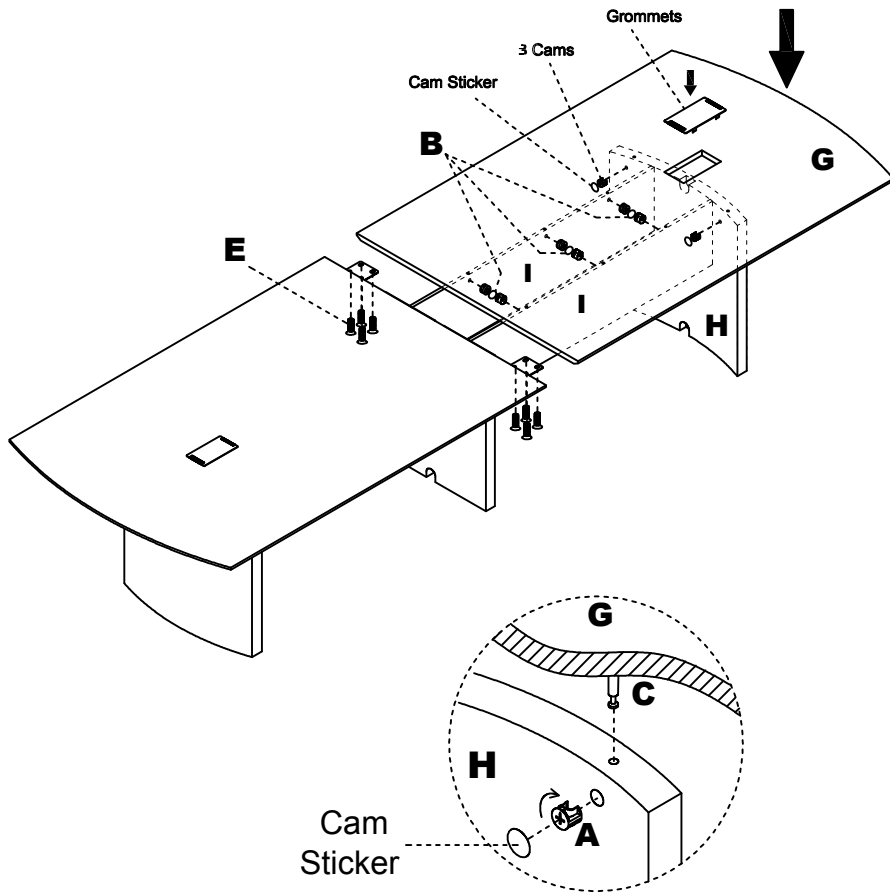


- 4 Place Top (G) onto Legs (H & J) and Modesty Panels (I) and lock in place by turning Cams (A). Apply Cam Stickers onto Cams (A) of Leg (H). Apply Cam Stickers/Silver (B) to Cams (A) of Modesty Panel (I). Insert Grommets into Top holes.



5

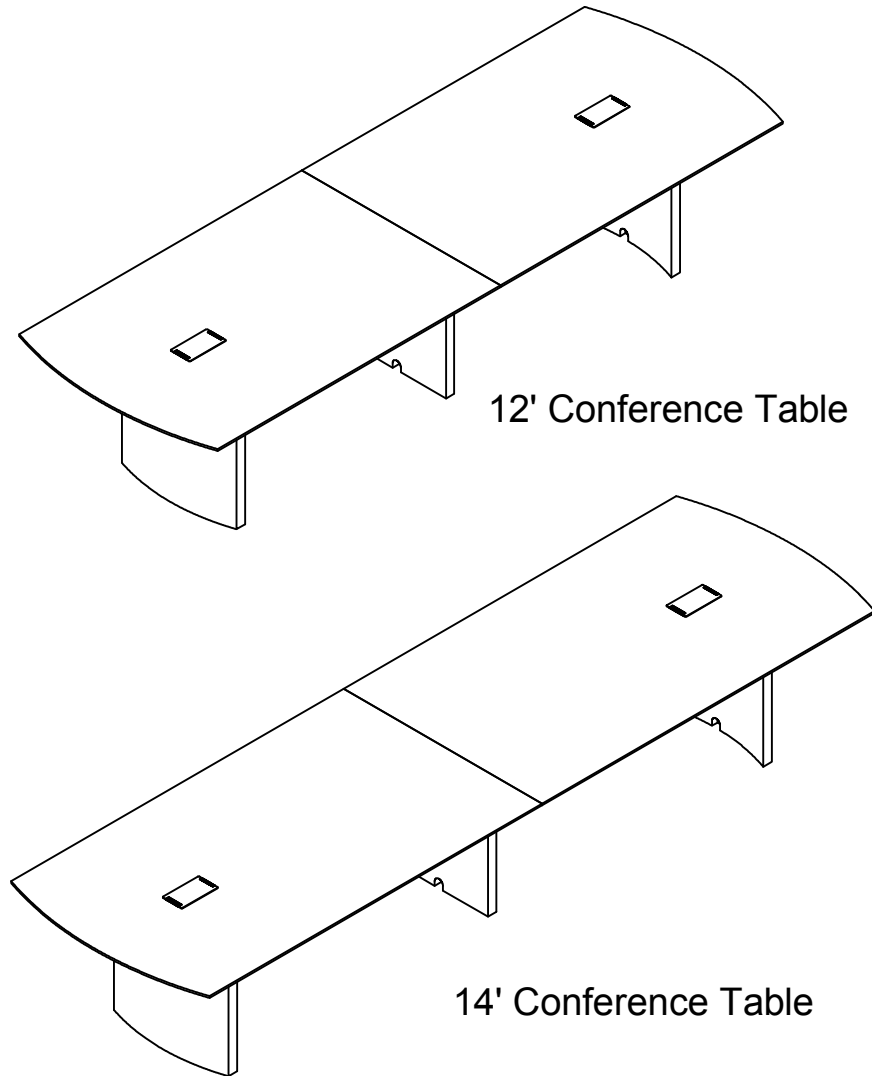
- 5** Follow the Step 4 to install the other Top (G) and the other Leg (H) and the other Modesty Panels (I). Attach the Top to the other Top using Screws (E).



NOTE: The arrow on the face of the Cam (A) should point towards the Cam Post (C) for proper alignment.

6

ATTENTION: Due to the floating design of the Conference Table, care must be taken when moving the unit. Lift the desk by its base and avoid pushing the Conference Table.



7