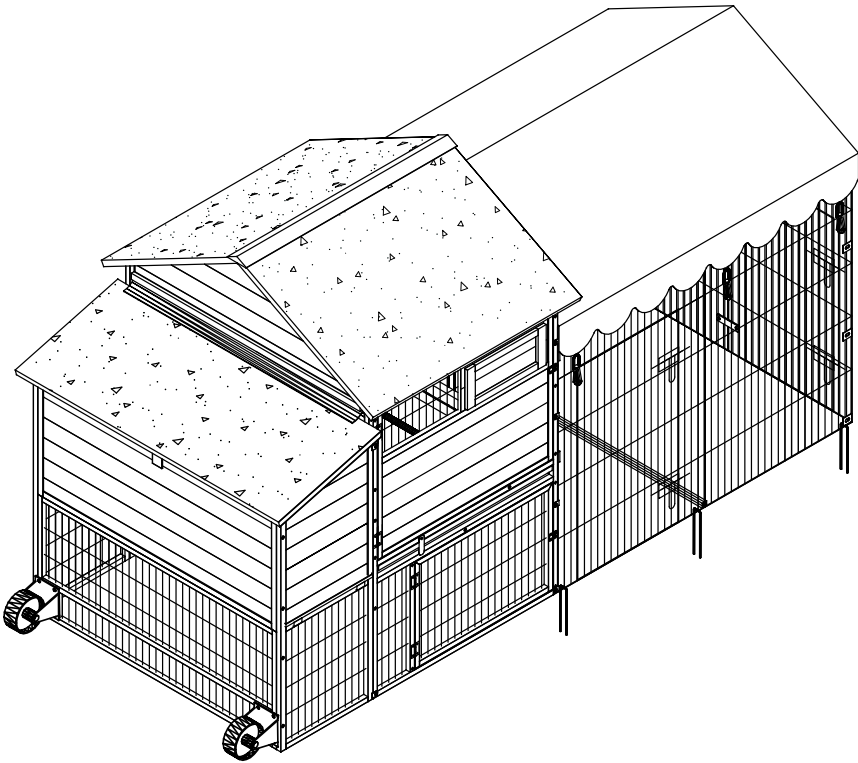


INSTRUCTION MANUAL





NOTICE

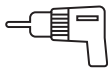
Please retain these instructions for future reference.

- Firmly secure all bolts,screws and knobs before use.
- Reconfirm that all bolts,screws,and knobs are secure every 90 days.
- Fasten screws loosely during initial assembly. Do not fully tighten screws until the item is completely assembled.
- Do not use or store this item in the proximity of open flame or flammable/combustible chemicals.
- Be aware that some parts are heavy and have sharp edges.
- Be aware that moving parts can injure,crush and cut.
- If any parts are missing,broken,damaged,or worn,stop using this product until repairs are made and/or factory replacement parts are installed.
- Do not use this item in a way inconsistent with the manufacturer's instructions as this could void the product warranty.

TOOLS REQUIRED //



PHILLIPS
SCREWDRIVER



DRILL
(RECOMMENDED)



2PERSON
ASSEMBLY



APPROXIMATELY
30MIN. ASSEMBLY

HARDWARE //

M6.0x30mm BOLT
8PCS+1spare



P1

M6.0x30mm BOLT
30PCS+1spare



P2

M6.0x14mm BOLT
12PCS+1spare



P3

M6.0x14mm BOLT
8PCS+1spare



P4

M5.0x50mm BOLT
2PCS+1spare



P5

M5.0x35mm BOLT
2PCS+1spare



P6

M4.0x15mm BOLT
2PCS+1spare



P7

M3.5x34mm SCREW
20PCS+1spare



P8

HARDWARE

M3.0x20mm SCREW
4PCS+1spare



P9

M3.0x16mm SCREW
20PCS+1spare



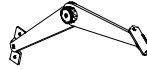
P10

M3.0x12mm SCREW
4PCS+1spare



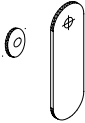
P11

Hinge
1PC



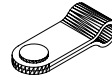
P12

Tray Lock
2PCS



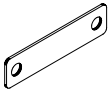
P13

Pipe Damp
4PCS



P14

Metal Fixator
4PCS



P15

Ties
10PCS



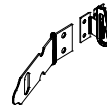
P16

Hook
6PCS



P17

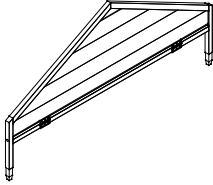
Lock
1PC



P18

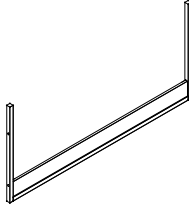
CARTON 1/2

Panel
1PC



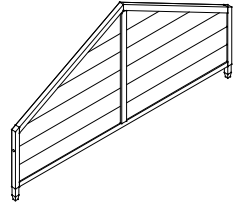
A1

Panel
1PC



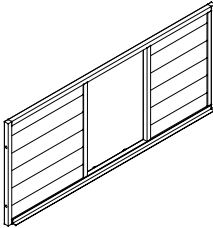
A2

Panel
1PC



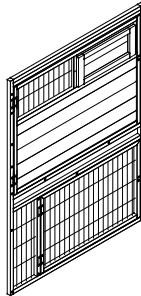
B1

Panel
1PC



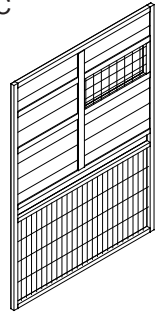
B2

Panel
1PC



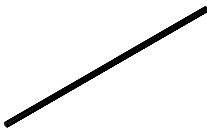
C

Panel
1PC



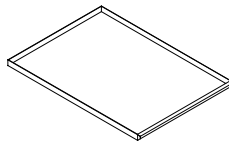
D

Perches
2PCS



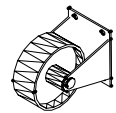
E

Tray
1PC



F

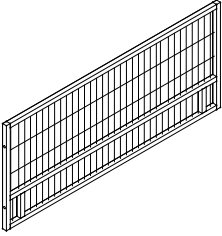
Wheels
2PC



G

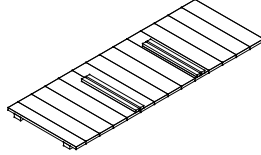
PARTS //

Panel
1PC



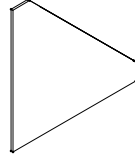
H

Bottom Panel
1PC



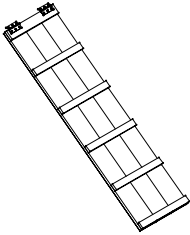
K

Divider
2PCS



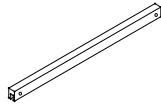
L

Ramp
1PC



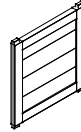
M

Sliding Rail
1PC



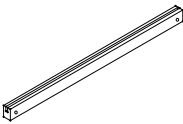
N

Small Door
1PC



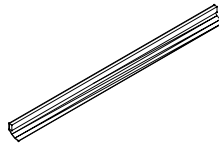
O

Sliding Rail
1PC



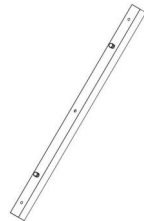
P

Waterproof Strip
1PC



R

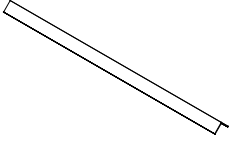
Roof supporter
4PCS



S

PARTS //

Roof cap
1PC



U

Perch of Run
1PC



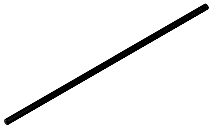
W

Perch of Run
1PC



X

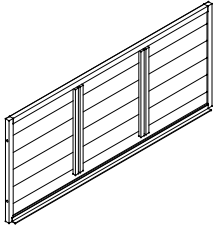
Tray Support
1PC



E1

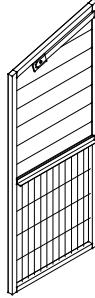
CARTON 2/2

Panel
1PC



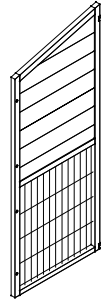
J

Panel
1PC



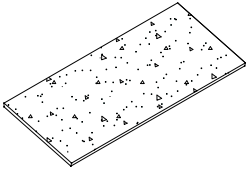
I1

Panel
1PC



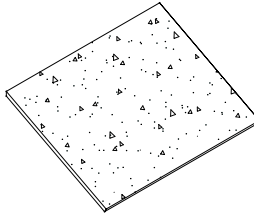
I2

Roof of Nesting Box
1PC



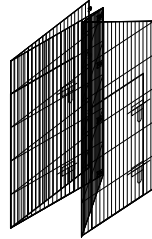
Q

Roof of Coop
2PCS



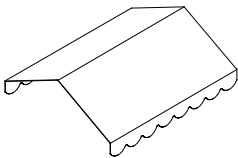
T

Folding Run
1PC



V

Waterproof Cover
1PC



Y

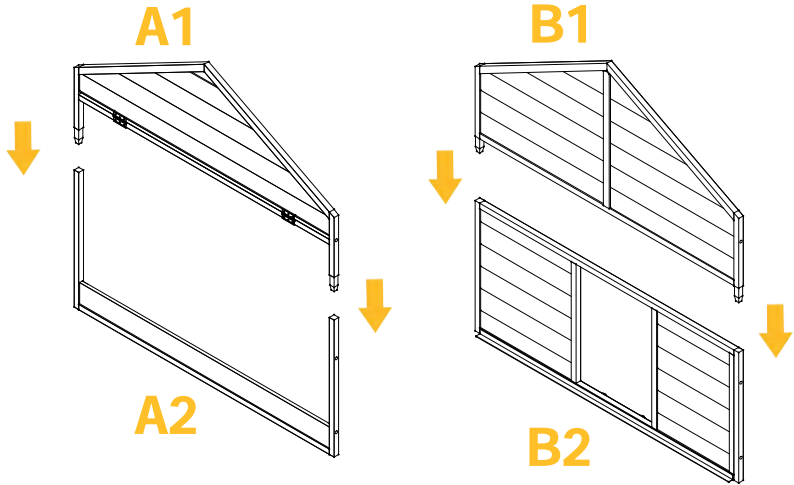
Hardware bag



PRODUCT ASSEMBLY //

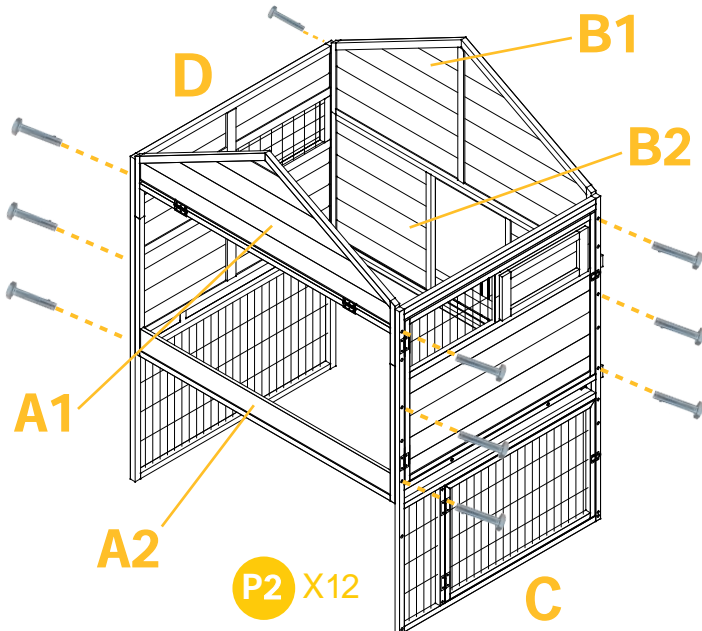
01

Attach the Part A1 to A2.
Attach the Part B1 to B2.



02

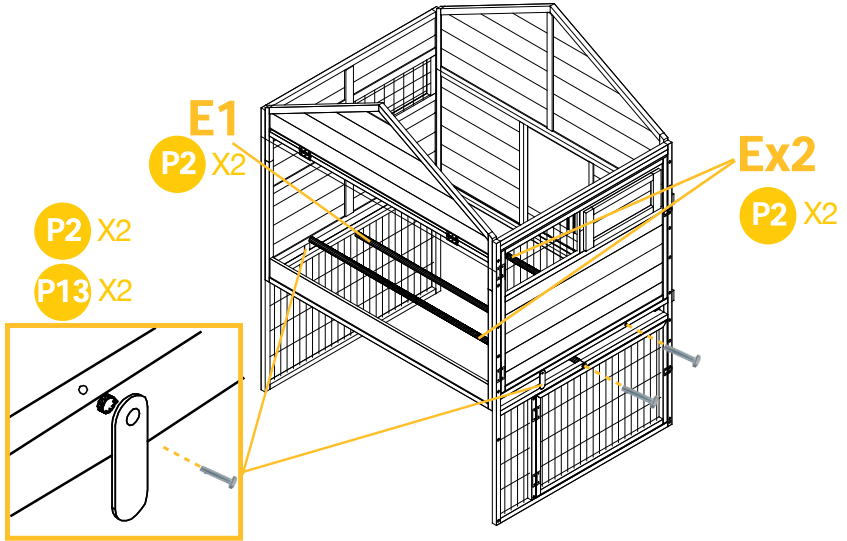
Attach the Part C & Part D by 12xP2 screws.



PRODUCT ASSEMBLY //

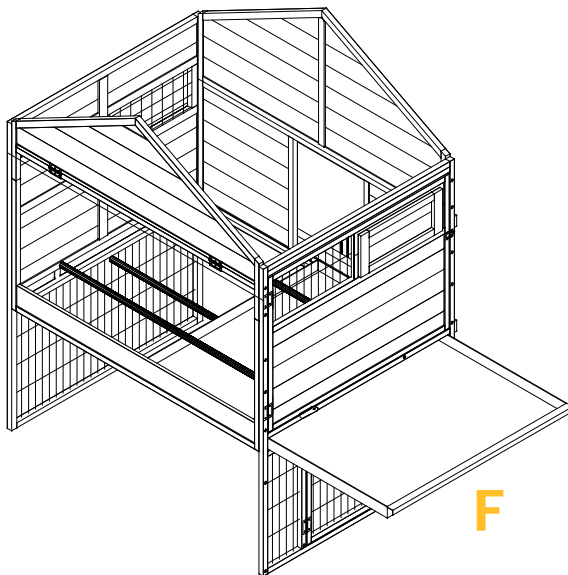
03

Attach the tray support Part E1 to middle of the coop by 1 xP2 screw each side.
Attach the one perch Part E to the inner side by 1 xP2 screw each side.
Attach the other perch Part E to the outer side with tray lock P13 by 1 xP2 screw each side.



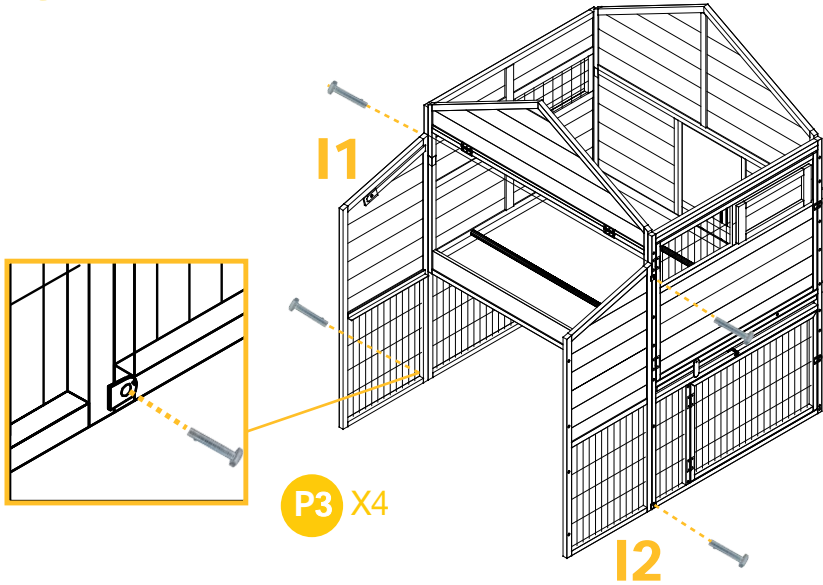
04

Pull in the tray Part F.

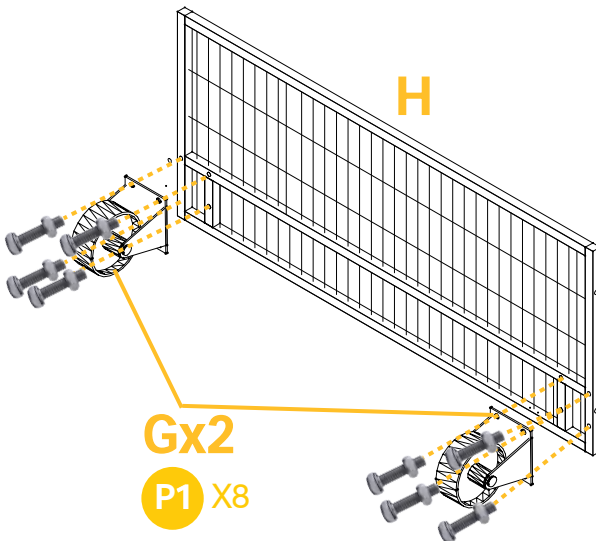


PRODUCT ASSEMBLY //

05 Attach the Part I1 & I2 to coop by 4 xP3 screws.

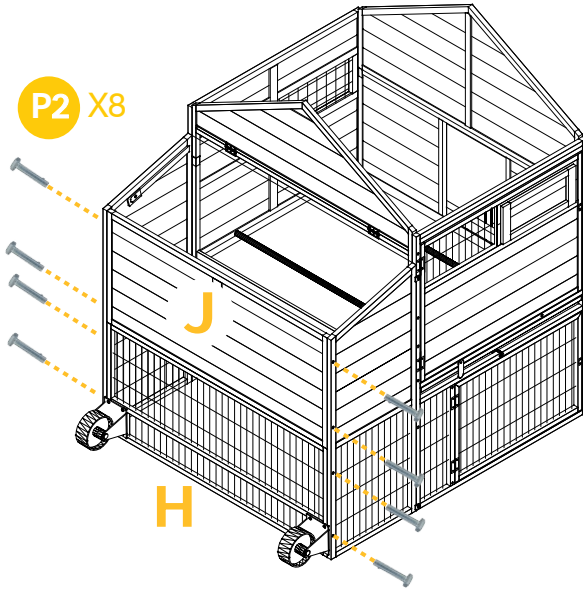


06 Attach the wheels Part G to Part H by 4 xP1 screws each.

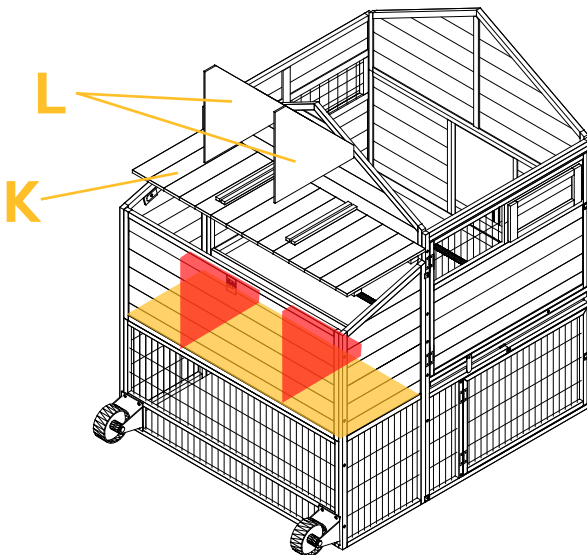


PRODUCT ASSEMBLY //

07 Attach the Part J & H by 8 xP2 screws.

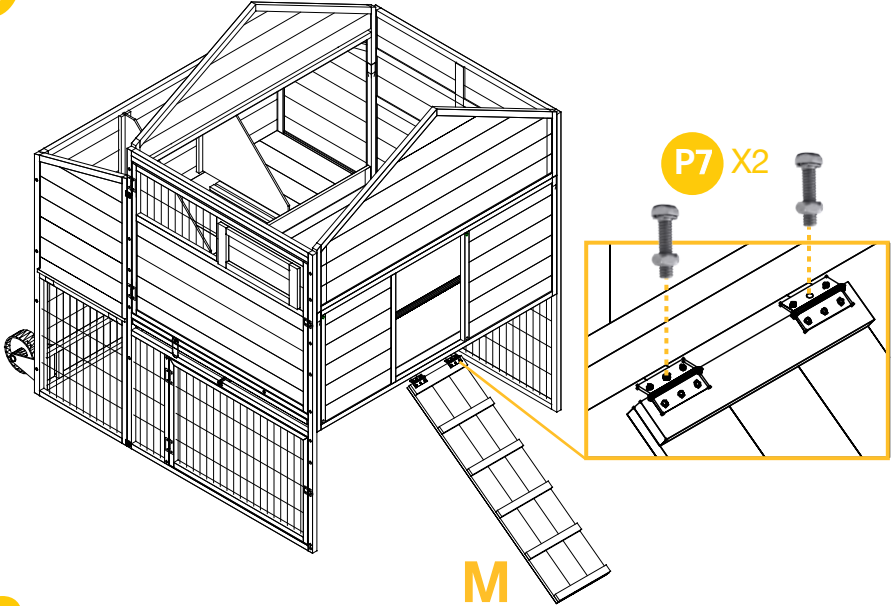


08 Drop in the bottom panel of nesting box Part K. Slide in the dividers Part L.

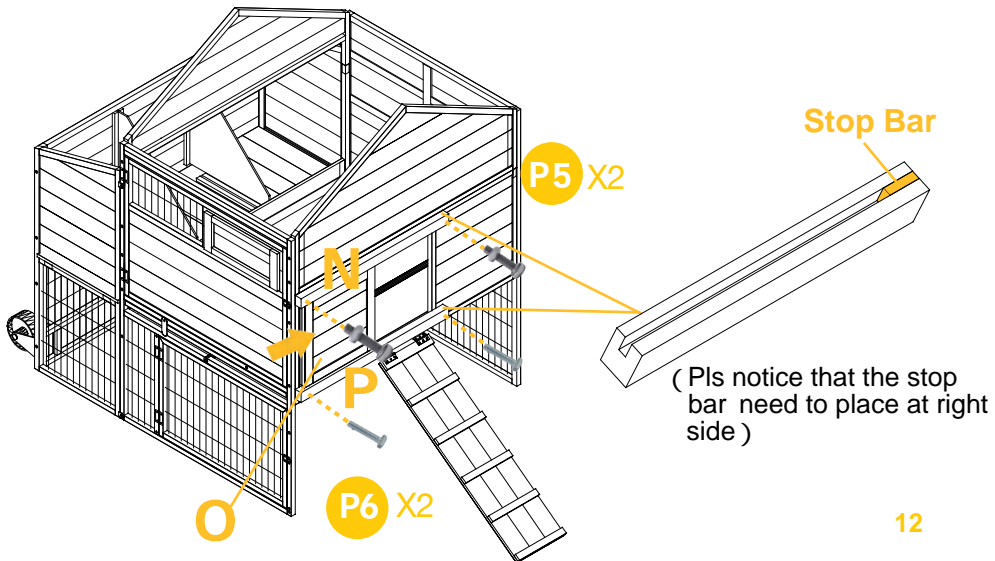


PRODUCT ASSEMBLY

09 Attach the ramp Part M to coop by 2xP7 screws.



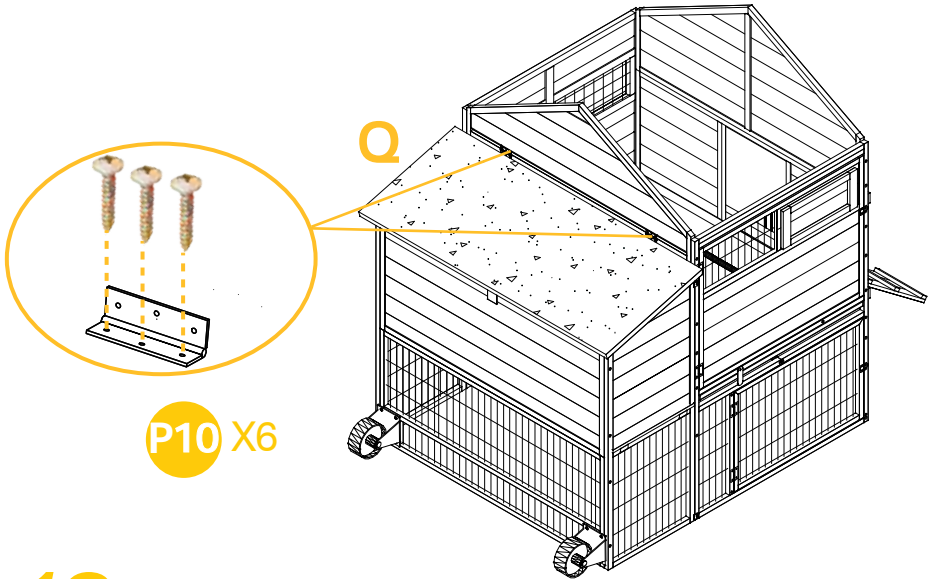
10 Attach the sliding rail Part N by 2xP5 screws. Attach the sliding rail Part P by 2xP6 screws. Slide in the small door Part O from left side.



PRODUCT ASSEMBLY //

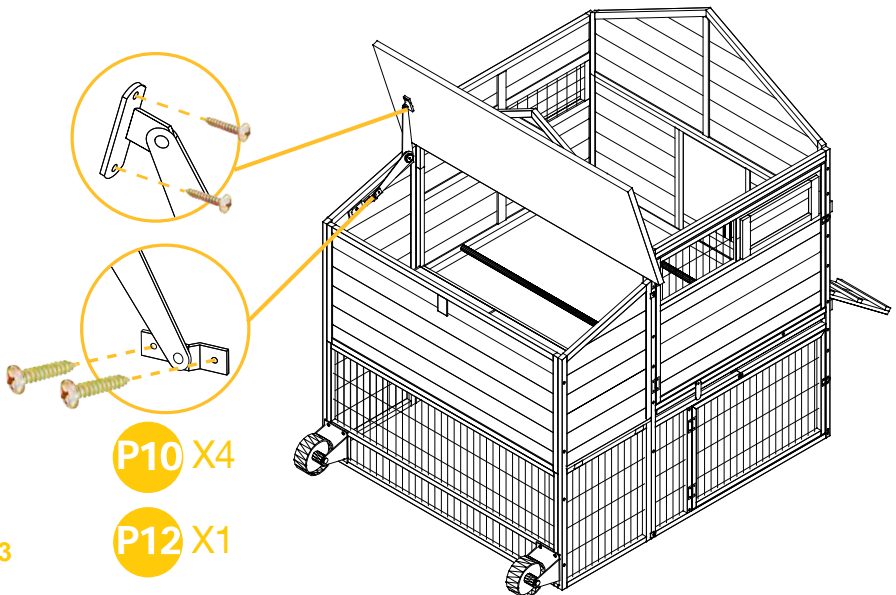
11

Attach the roof of nesting box Part Q by 3XP10screws each side.



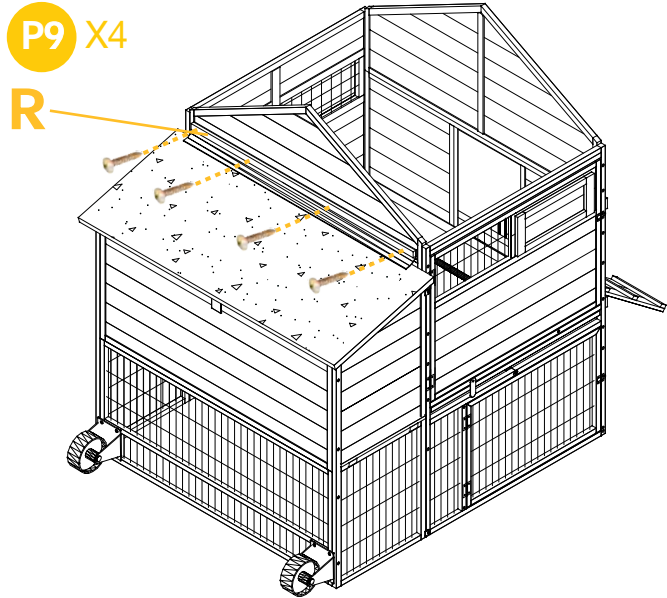
12

Screw the roof hinge P12 one side to the roof by 2xP10 screws, the other side to the side panel by 2xP10 screws.

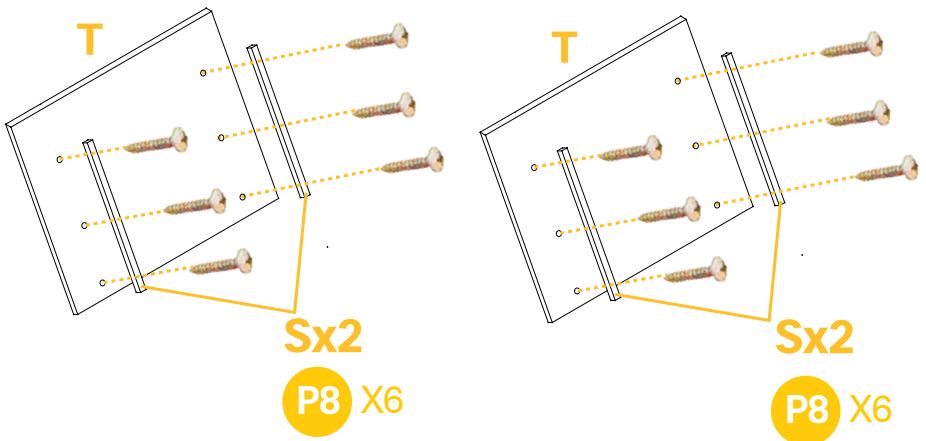


PRODUCT ASSEMBLY //

13 Attach Waterproof Strip Part R to the nesting box by 4XP9 screws.

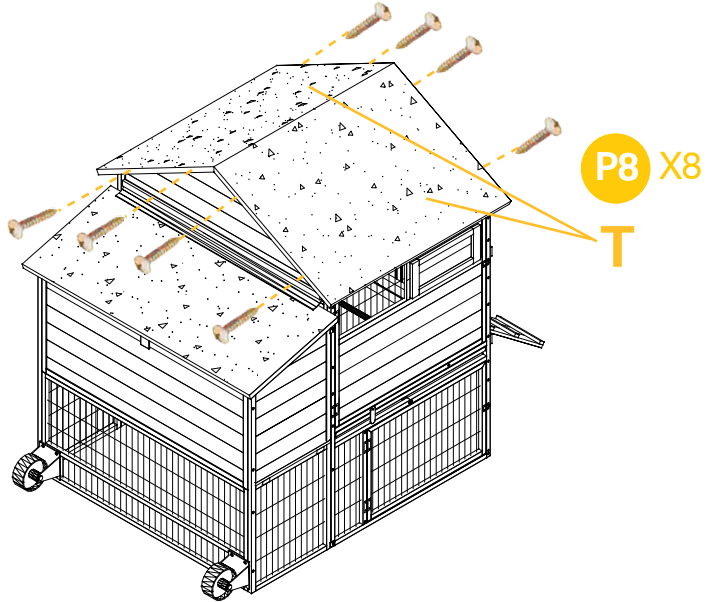


14 Attach the roof support Part S to roof Part T by 3 x P8 screws each.



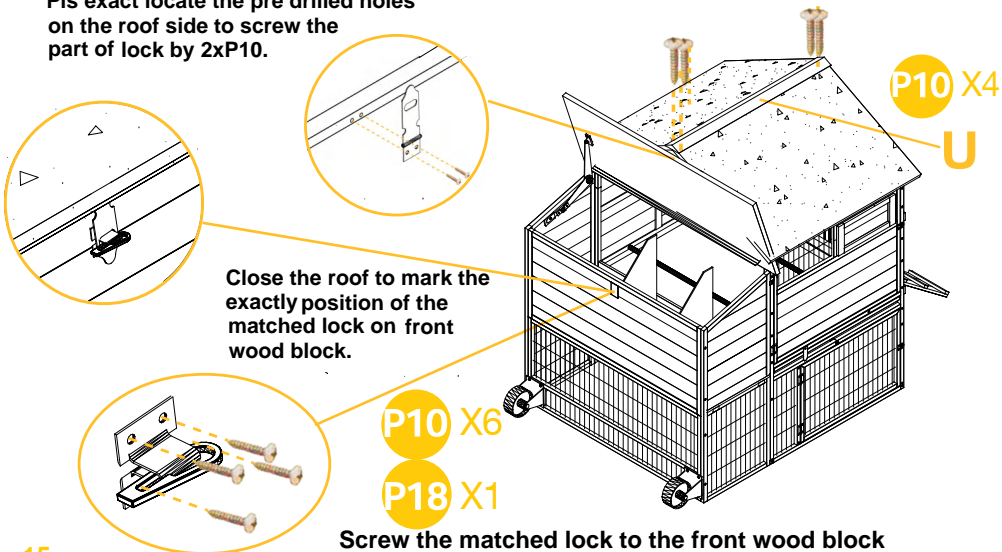
PRODUCT ASSEMBLY

15 Attach the coop roof 2xPartT to the coop by 8XP8 screws.



16 Attach the roof cap Part U by 4XP10 screws.
Pls reference below 3 steps to screw the lock P18.

Pls exact locate the pre drilled holes on the roof side to screw the part of lock by 2xP10.



15

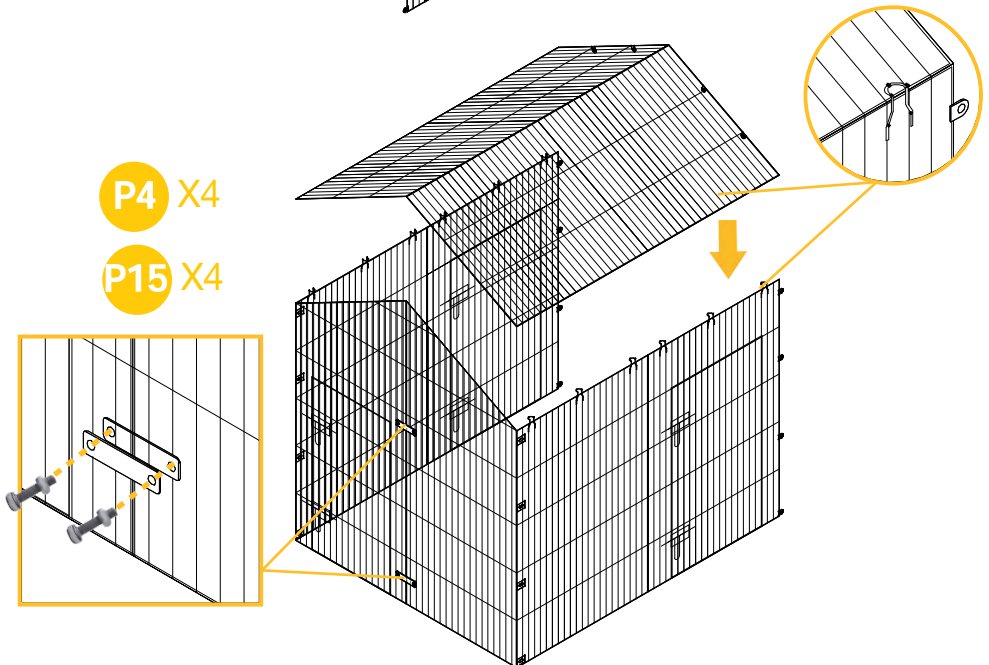
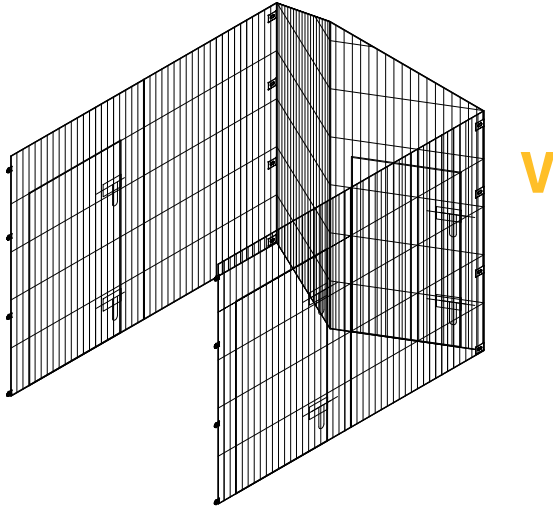
Screw the matched lock to the front wood block by 4xP10.

PRODUCT ASSEMBLY //

17

Open up the folding run Part V.
Attach roof with lock.

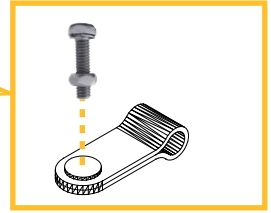
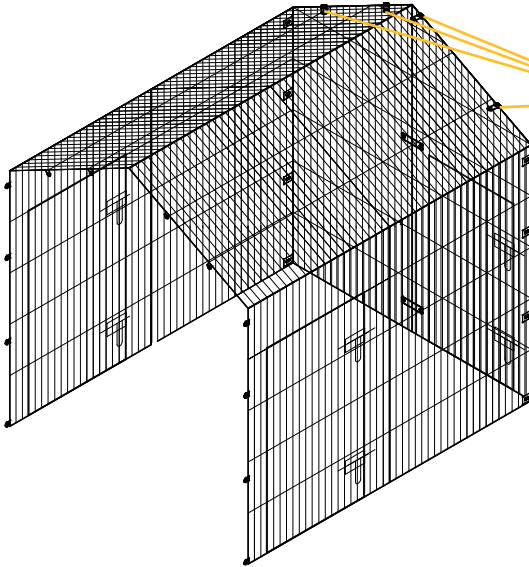
Attach the metal fixator 2xP15 by 2 x P4 screws each.



PRODUCT ASSEMBLY //

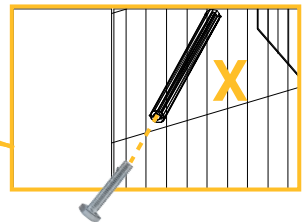
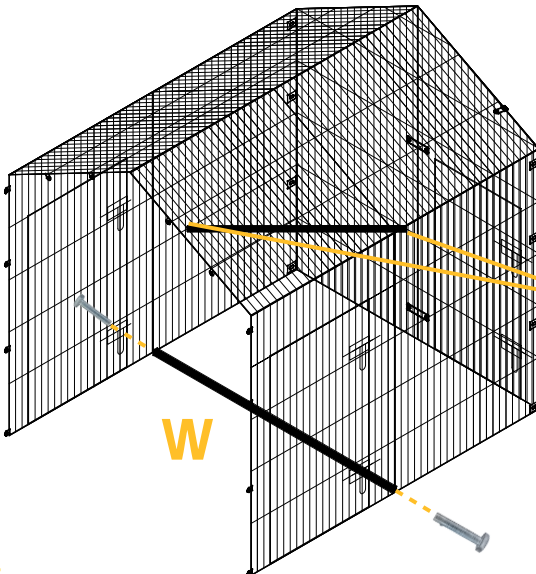
18

Fix the roof with pipe damp 4x P14 by 4 x P4screws.
Screw the P2 to perches Part W & X each side. And then put the perches to running area.



P4 X4

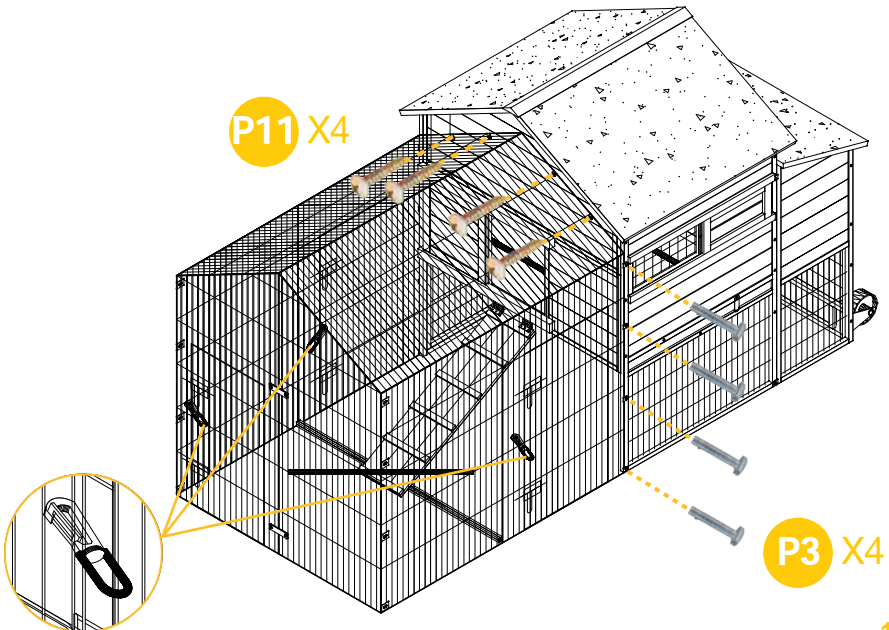
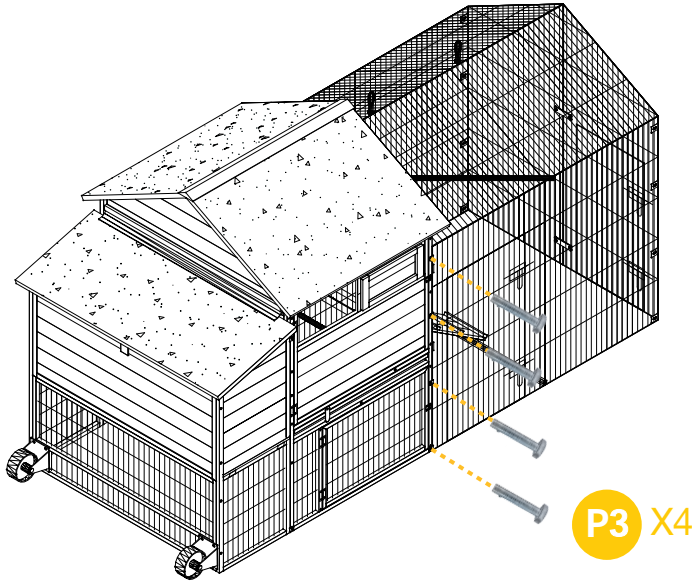
P14 X4



P2 X4

PRODUCT ASSEMBLY //

19 Attach the run to coop by 8 x P3 & 4 x P11 screws.



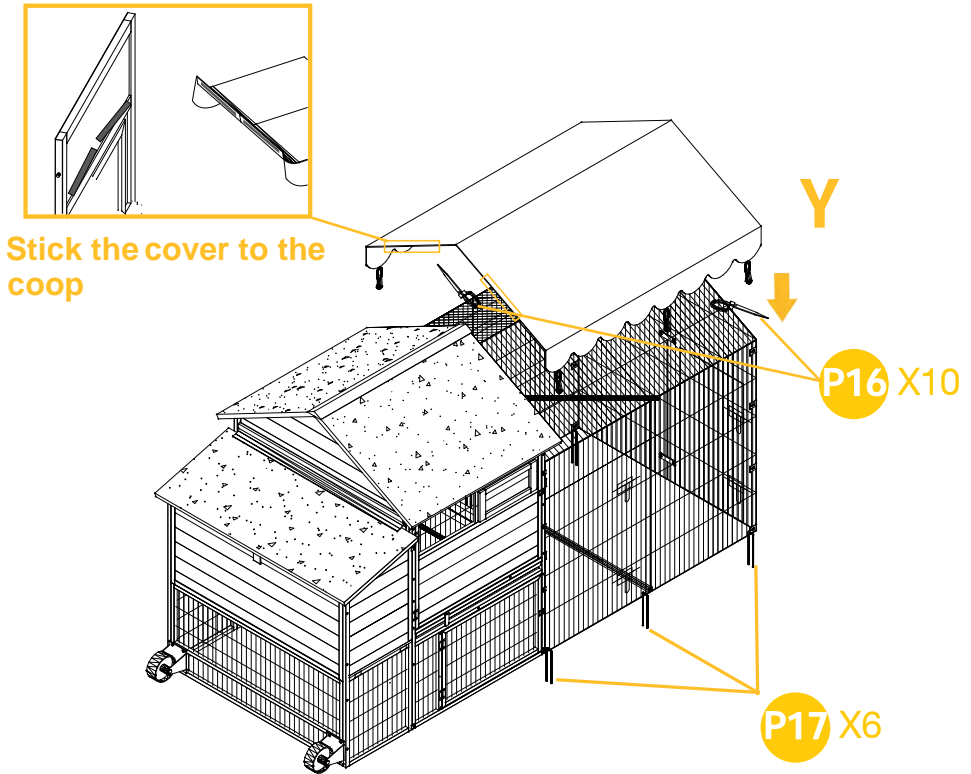
PRODUCT ASSEMBLY //

20

Cover with waterproof cover Part Y, Pls note that the location of Velcro close to coop.

Use the hook P17 to hook the chicken run to the ground

You can fix the coop well by use tie P16 if you want.

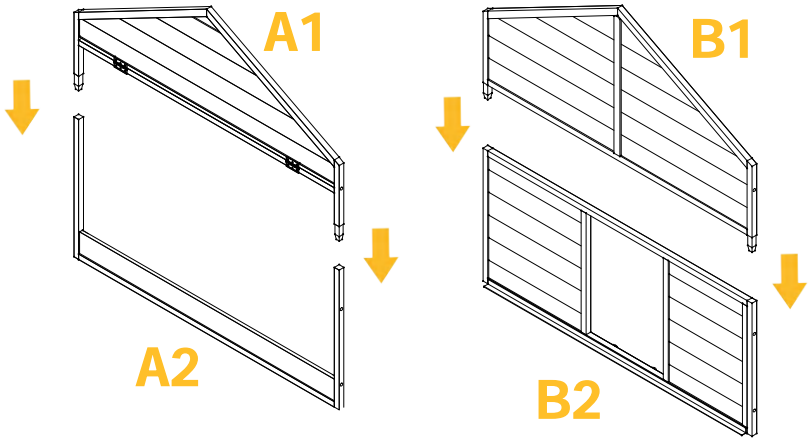


PRODUCT ASSEMBLY //

REMARK:

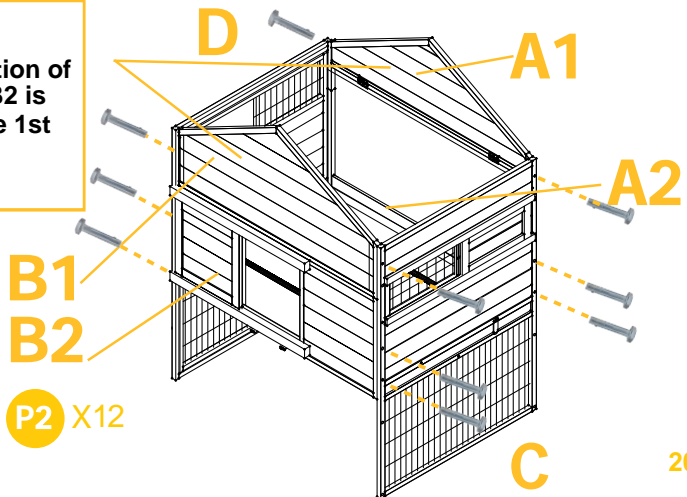
Pls ignore the following for only one coop owner !
The below steps are the assembly for the 2nd coop if you buying 2 coops !

01 Attach the Part A1 to A2.
Attach the Part B1 to B2.



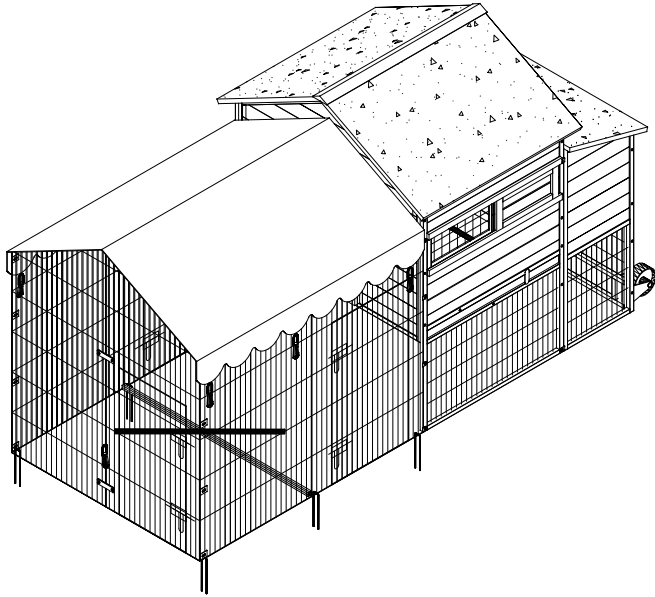
02 Attach the Part C & Part D by 12xP2screws.
(Pls notice the position of Part A1,A2, B1,B2 is difference from 1st coop)
Repeat the same assembly ways from step 3-step20 the same as the 1st coop.

!
Notice the direction of
Part A1,A2, B1,B2 is
different with the 1st
coop.
(Very important !)

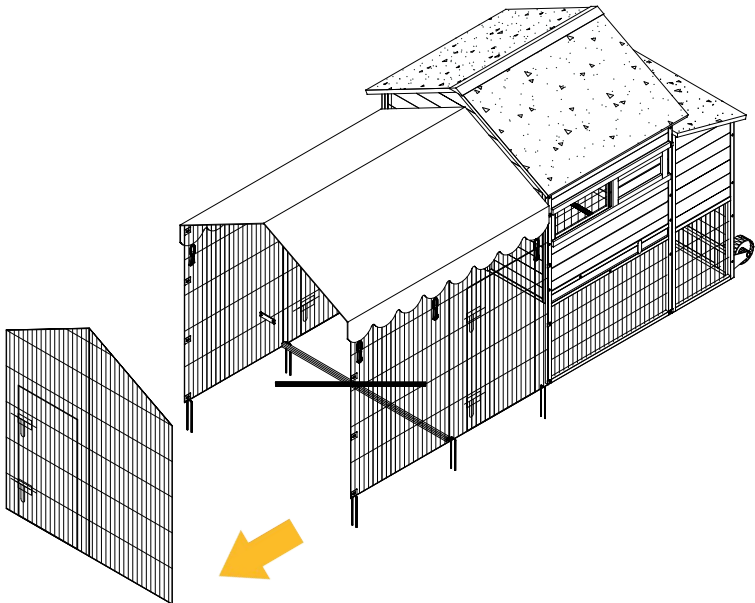


PRODUCT ASSEMBLY //

03 Attach the run to left of coop.



04 Take out the side wire panel.

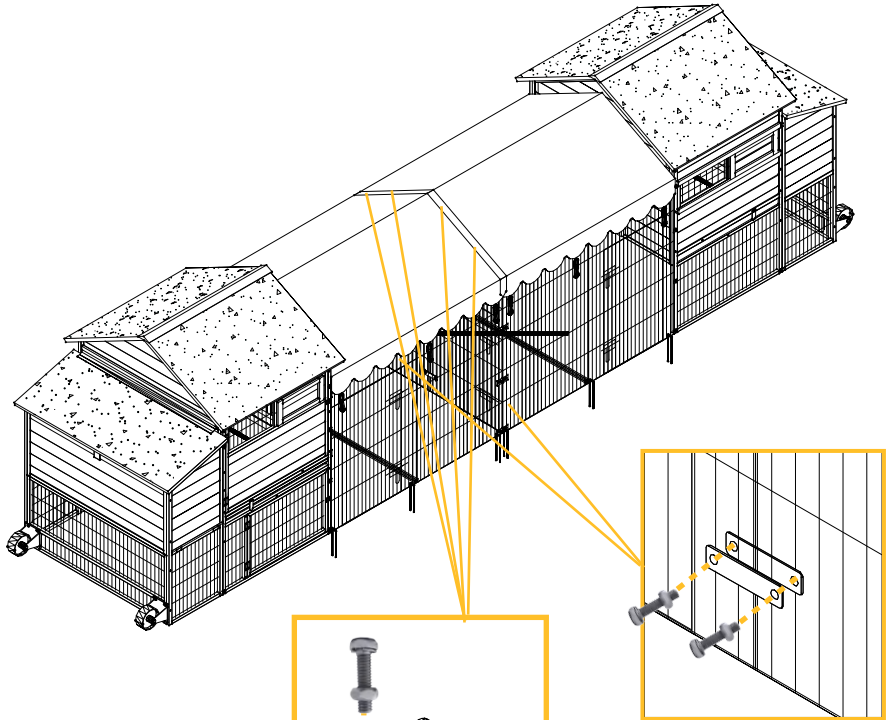


PRODUCT ASSEMBLY //

05

Attach second coop to 1st coop with metal fixator 4XP15 by 4XP4 screws.

Fix the roof with pipe damp 12x P14 by 12 x P4screws.



P4 X12

P14 X12

P4 X4

P15 X4

Finish



WARNING

Manufacturer and seller expressly disclaim any and all liability for personal injury, property damage or loss, whether direct, indirect, or incidental, resulting from the incorrect attachment, improper use, inadequate maintenance, or neglect of this product.