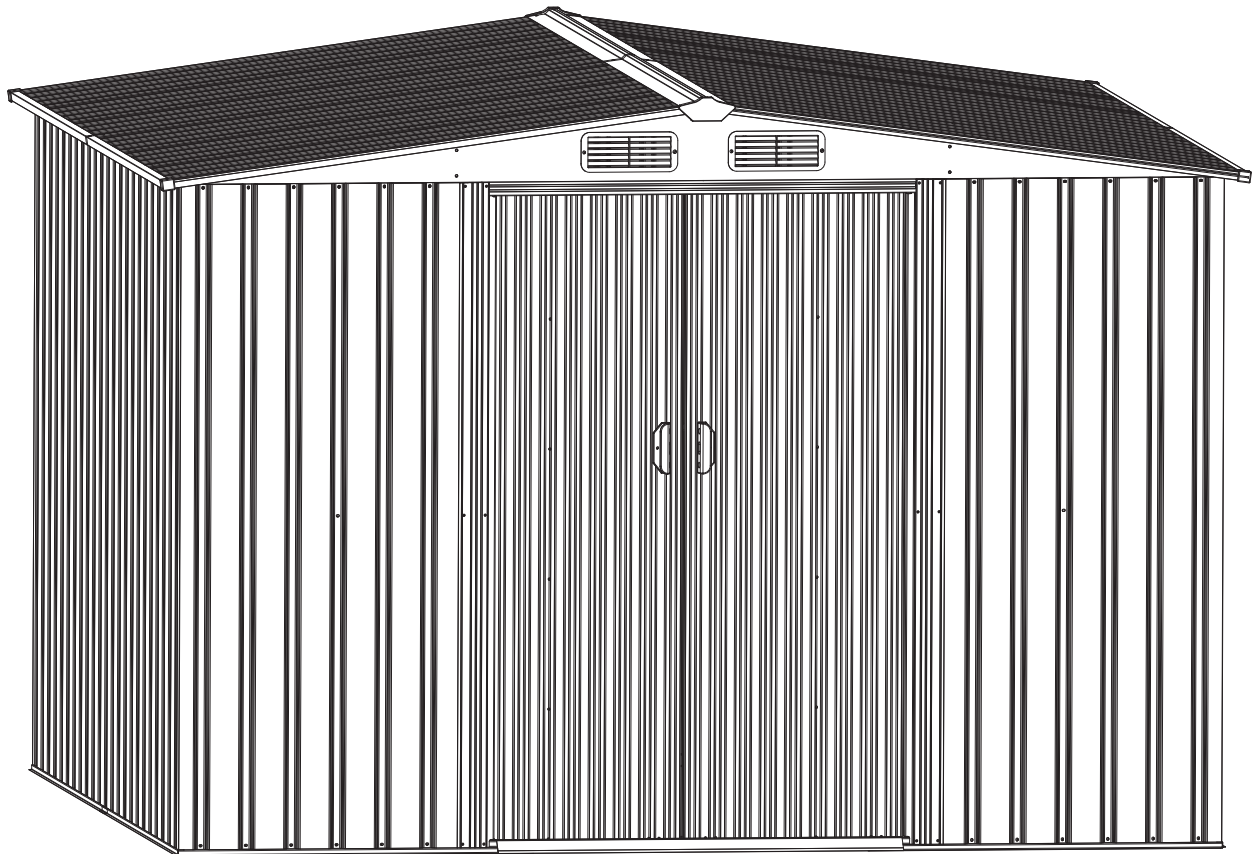


Metal Garden Shed

**OWNER'S MANUAL/
Instructions for Assembly
Size 8'x8**



It will take 2-3hours for 2 people to install.

Tall Walk in Shed
Quick & Easy Assembly
Ridge Reinforced Walls
Wide Double Doors
Available in Various Sizes

BEFORE YOU BEGIN

Owner's Manual

Before beginning construction, check local building codes regarding footings, location and other requirements. Study and understand this owner's manual. Important information and helpful tips will make your construction easier and more enjoyable.

Assembly Instructions: Instructions are supplied in this manual and contain all appropriate information for your building model. Review all instructions before you begin, and during assembly, follow the step sequence carefully for correct results.

Parts and Parts List: Check to be sure that you have all the necessary parts

Separate contents of the carton by the part number while reviewing parts list.

The first few steps show how to join related parts to make larger sub assemblies which will be used later.

Familiarize yourself with the hardware and fasteners for easier use during construction.

PLAN AHEAD

Watch the Weather: Be sure the day you select to install your building is dry and calm. Do not attempt to assemble your building on a windy day. Be careful on wet or muddy ground.

Team Work: Whenever possible, two or more people should work together to assemble your building. One person can position parts or panels while the other is able to handle the fasteners and the tools.

CARE & MAINTENANCE

Finish: For long lasting finish, periodically clean and wax the exterior surface. Touch-up scratches as soon as you notice them on your unit. Immediately clean the area with a wire brush; wash it and apply touch-up paint per manufacturer's recommendation.

Roof: Keep roof clear of leaves and snow with long handled, soft-bristled broom. Heavy amounts of snow on roof can damage building making it unsafe to enter. In snow country. Roof Strengthening Kits are available for most metal buildings for added protection against heavy snow accumulation.

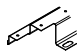
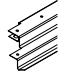


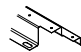










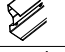



Doors: Always keep the door tracks clear of dirt and other debris that prevent them from sliding easily. Lubricate door track annually with furniture polish or silicone spray. Keep doors closed and locked to prevent wind damage


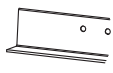

















Fasteners: Use all washers supplied to protect against weather infiltration and to protect the metal from being scratched by screws. Regularly check your building for loose screws, bolts, nuts, etc. and retighten them as necessary.



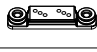








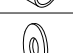
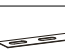
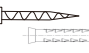

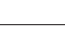




Moisture: A plastic sheet (vapor barrier) placed under the entire floor area with good ventilation will reduce

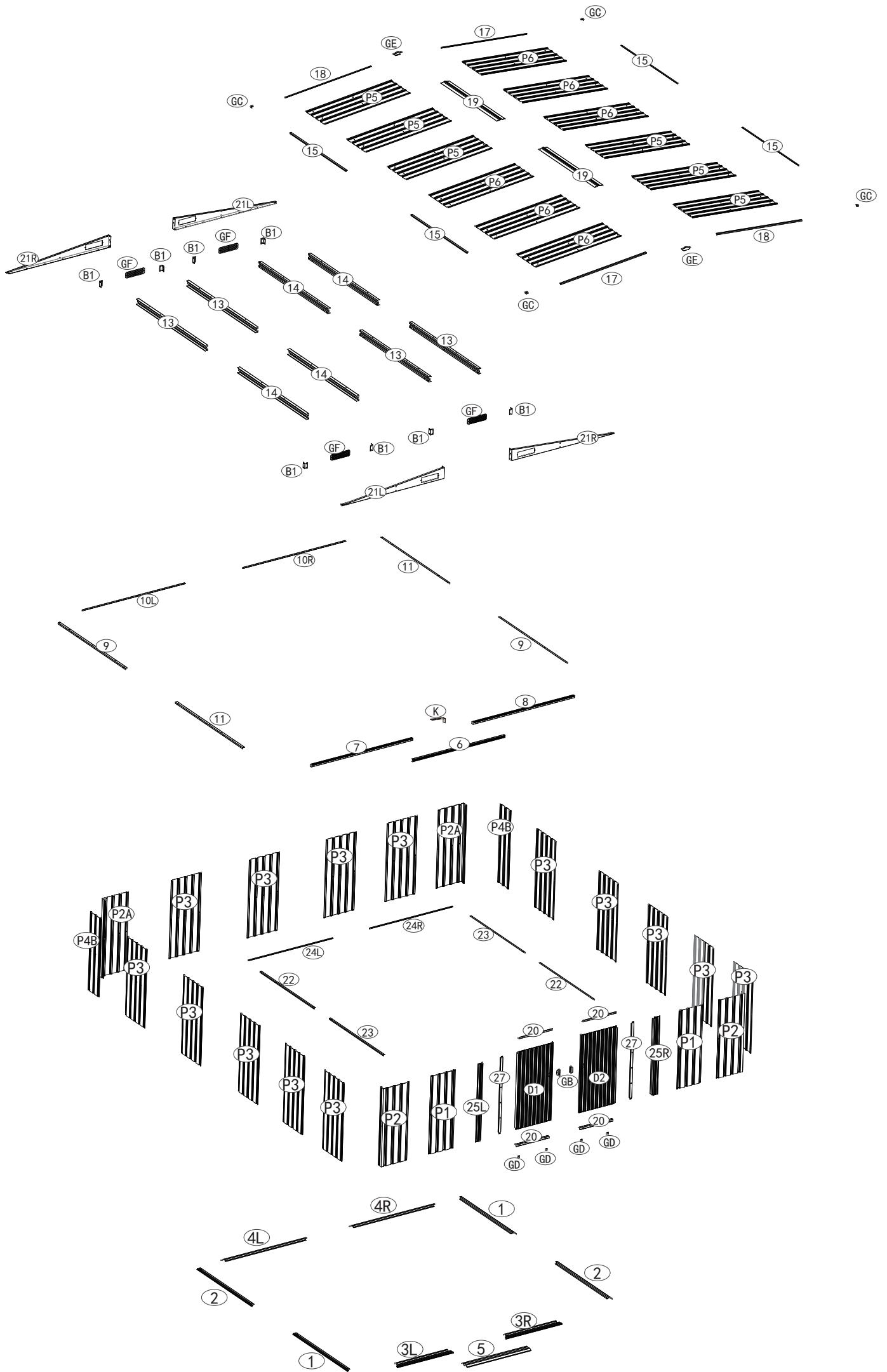
Do not store swimming pool chemicals in your building. Combustibles and corrosives must be stored in air tight approved containers.




PARTS LIST

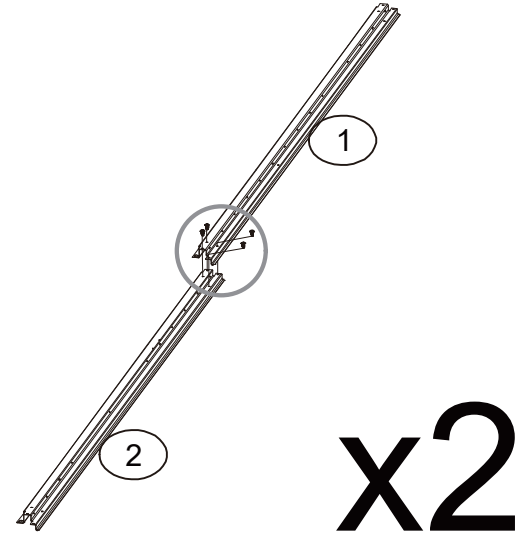
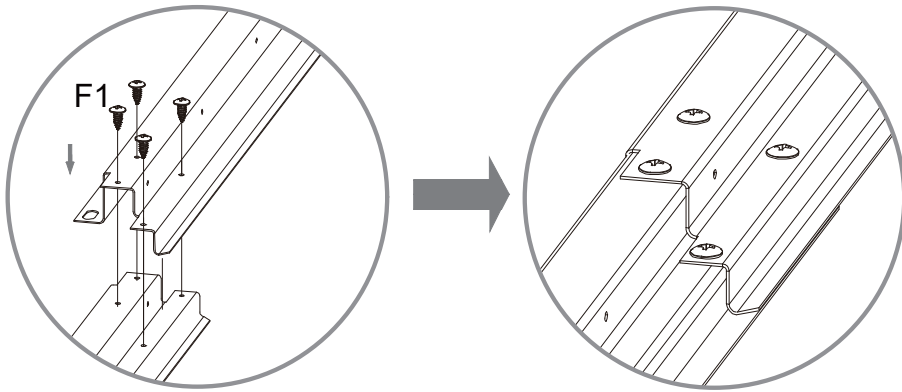
PART	NO.	Qty.
	1	2
	2	2
	3L	1
	3R	1
	4L	1
	4R	1
	5	1
	6	1
	7	1
	8	1
	9	2
	10L	1
	10R	1
	11	2
	13	4
	14	4
	15	4
	17	2
	18	2




PART	NO.	Qty.
	19	2
	20	4
	21L	2
	21R	2
	22	2
	23	2
	24L	1
	24R	1
	25L	1
	25R	1
	27	2
	P1	2
	P2A	2
	P2	2
	P3	14
	P4B	2
	P5	6
	P6	6
	D1	1

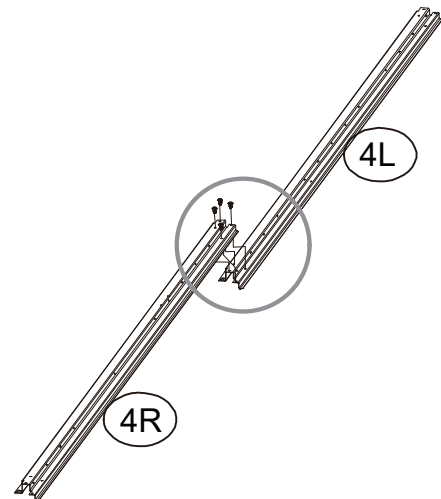
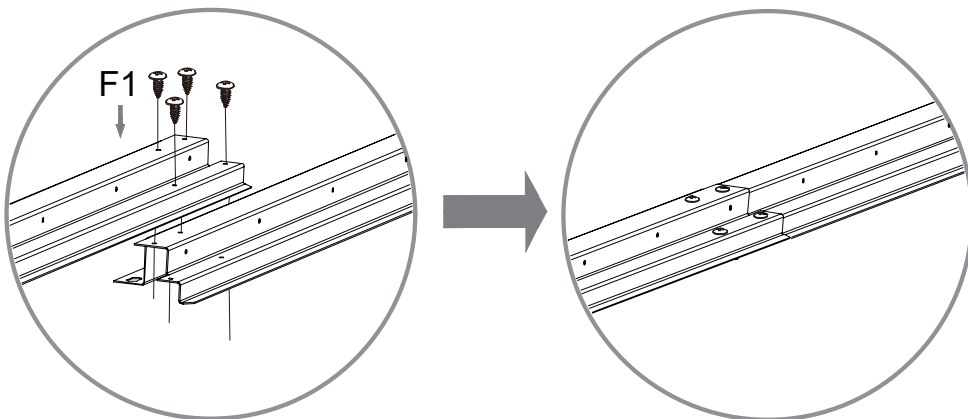
PART	NO.	Qty.
	D2	1
	B1	8
	G2	4
	GB	2
	GC	4
	GD	4
	GE	2
	GF	4
	F1	427
	F2	75
	F3	8
	S1	170
	S2	420
	K	1
	F6	4
	W1	4
	W2	8
	W3	2
	W4	4
	W5	2

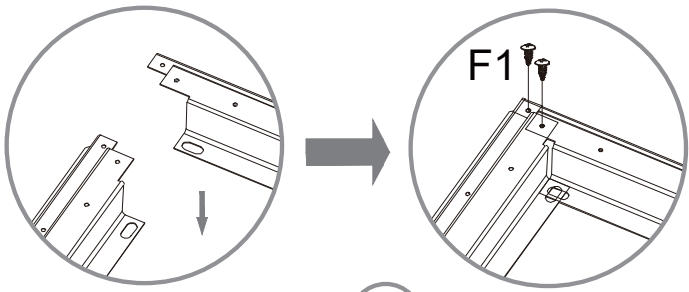



NO.	PART	Qty.
1		2
2		2
F1		8

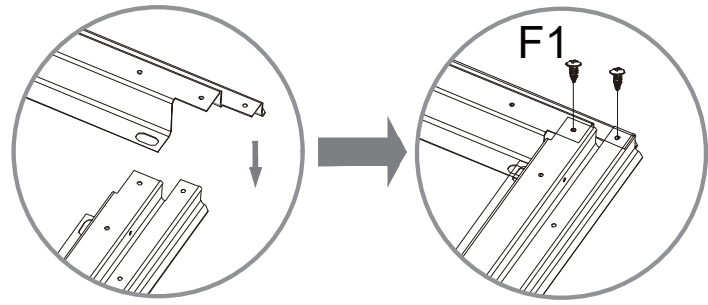
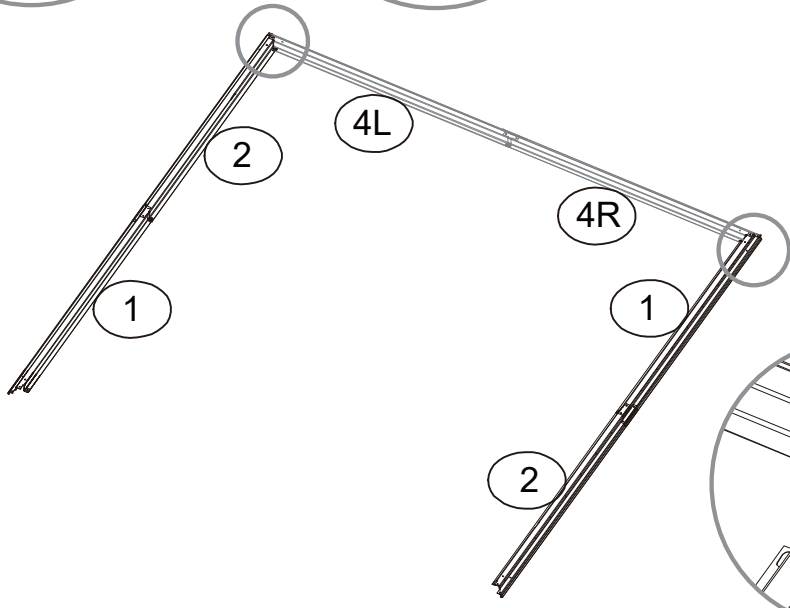





NO.	PART	Qty.
4L		1
4R		1
F1		4

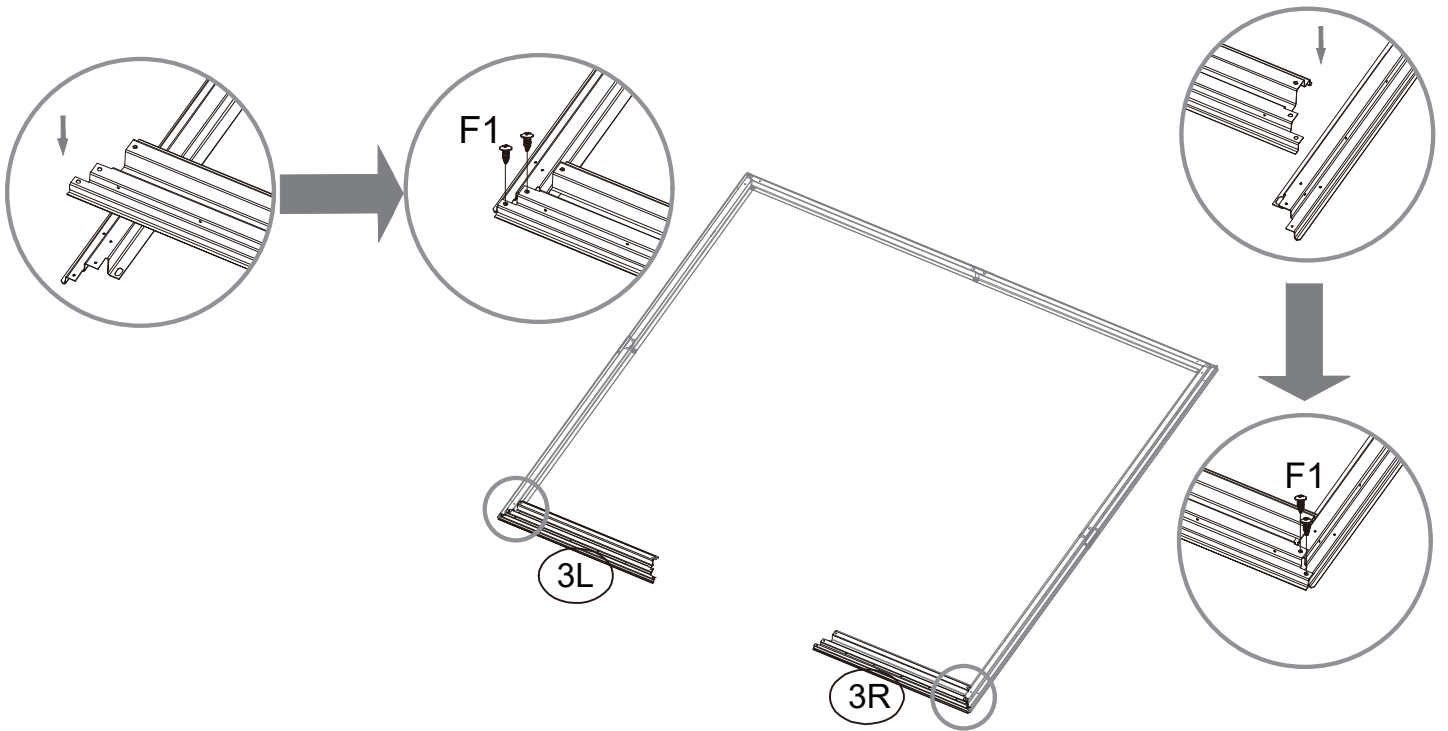






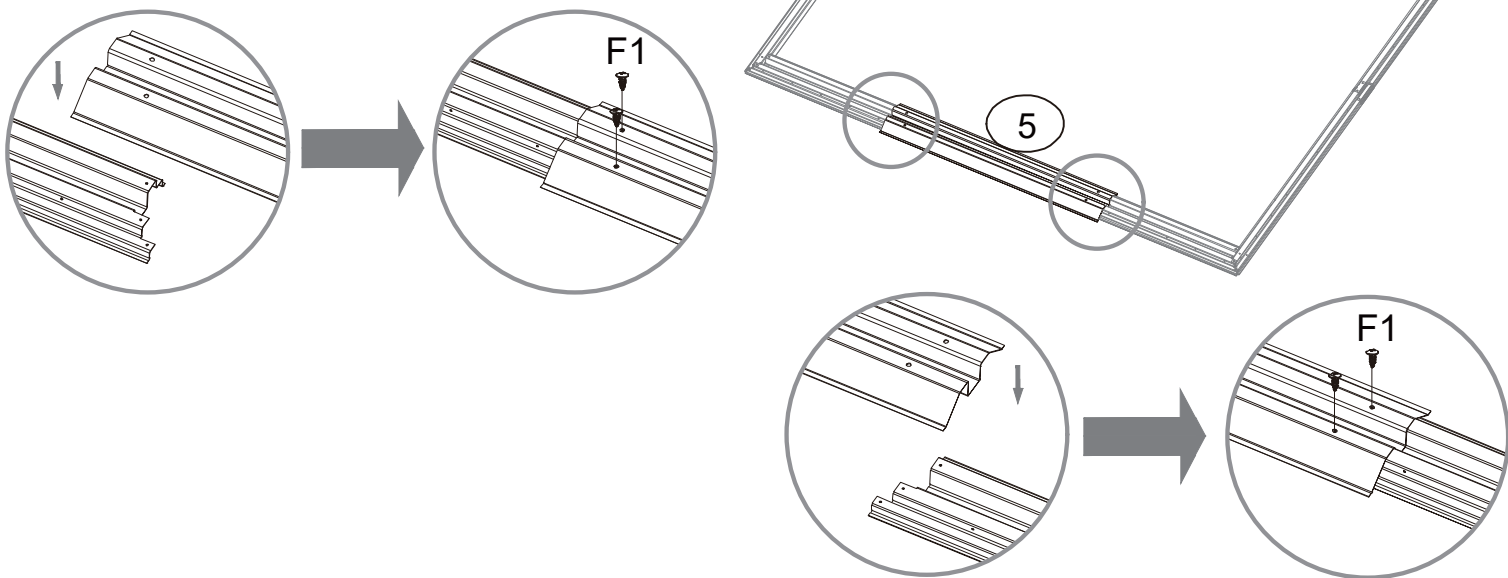
NO.	PART	Qty.
F1		4







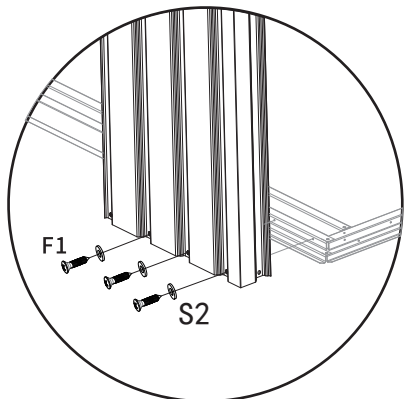
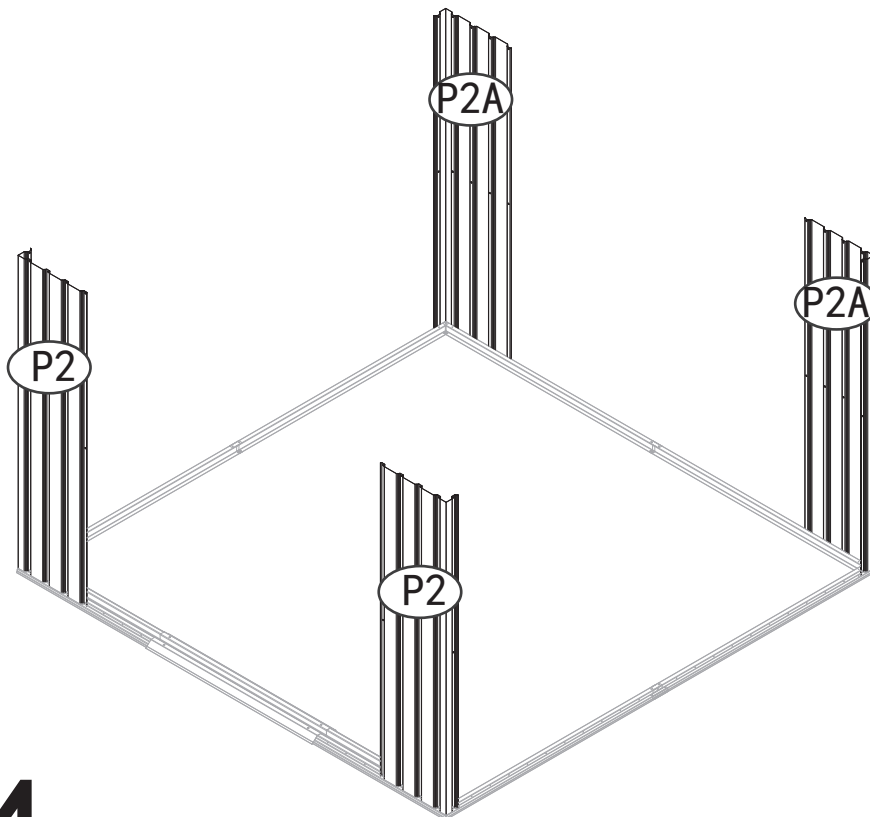
NO.	PART	Qty.
3L		1
3R		1
F1		4






NO.	PART	Qty.
5		1
F1		4

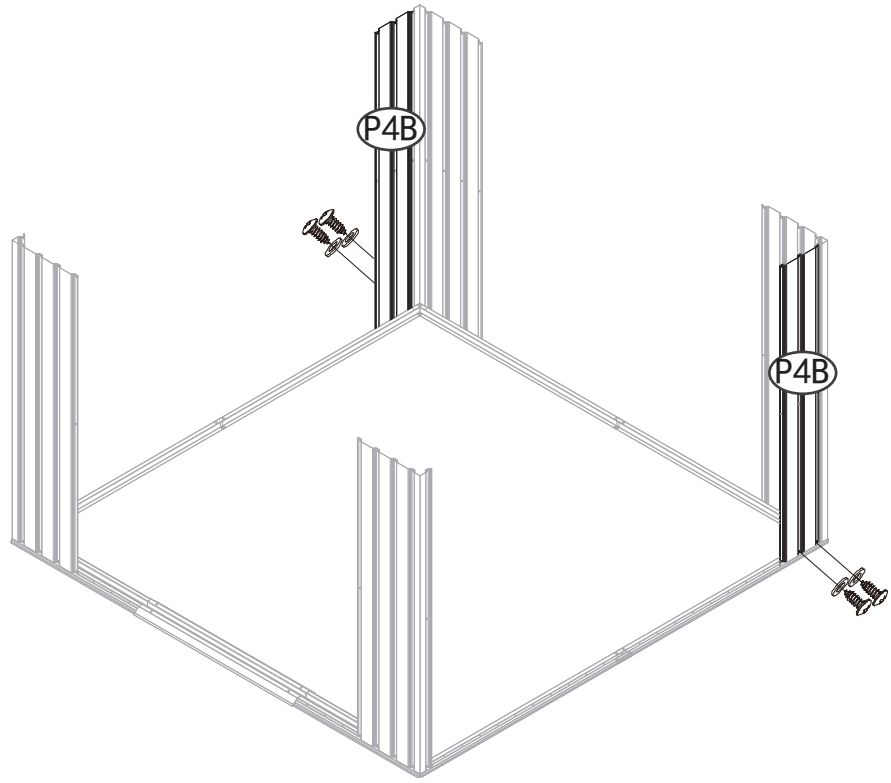
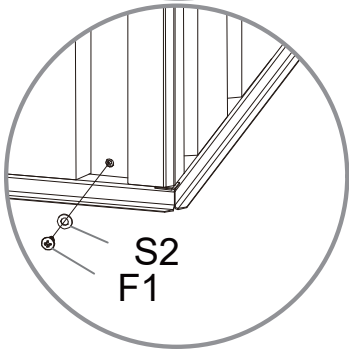
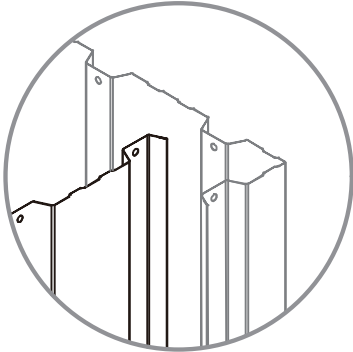





NO.	PART	Qty.
P2		2
P2A		2
F1		12
S2		12

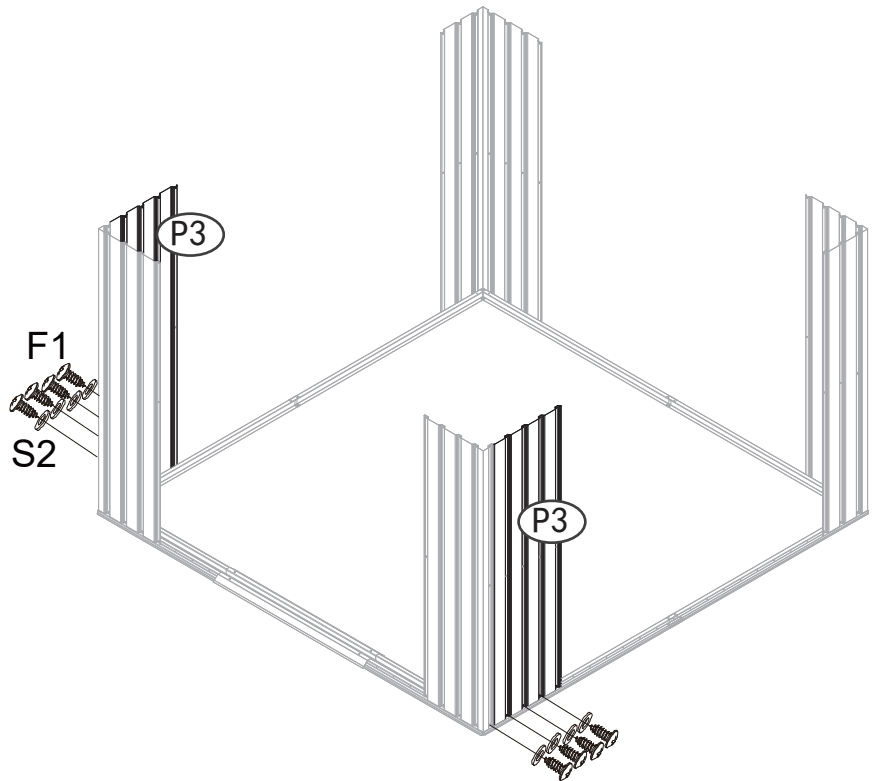




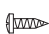

X4

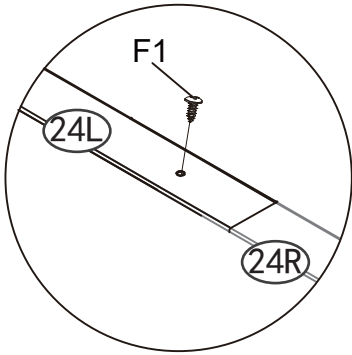
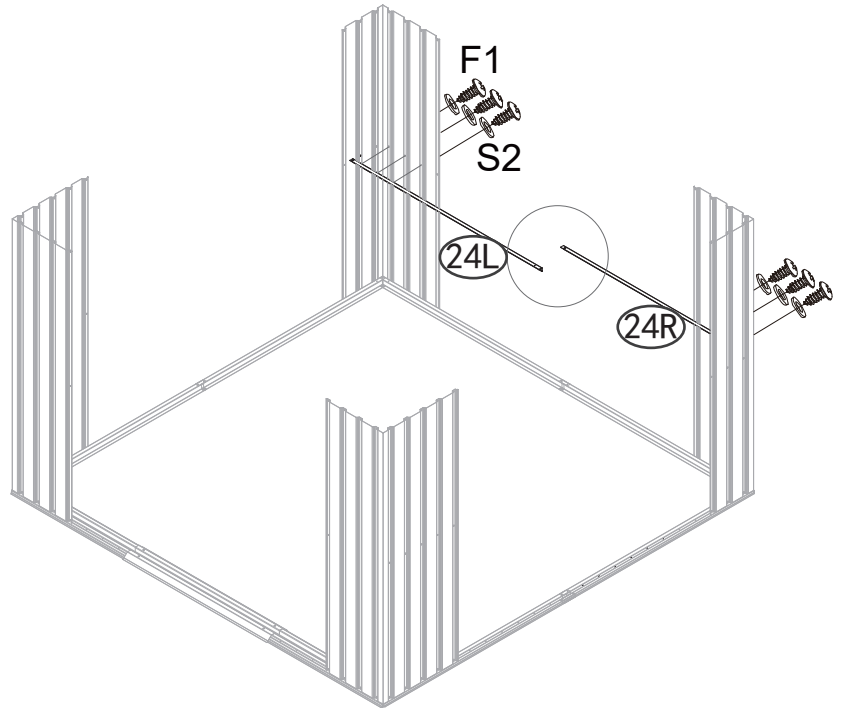
NO.	PART	Qty.
P4B		2
F1		4
S2		4







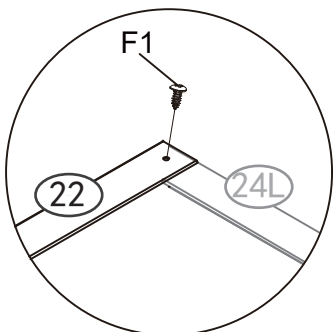
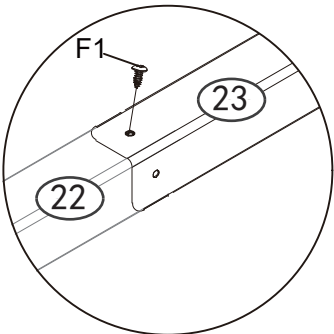
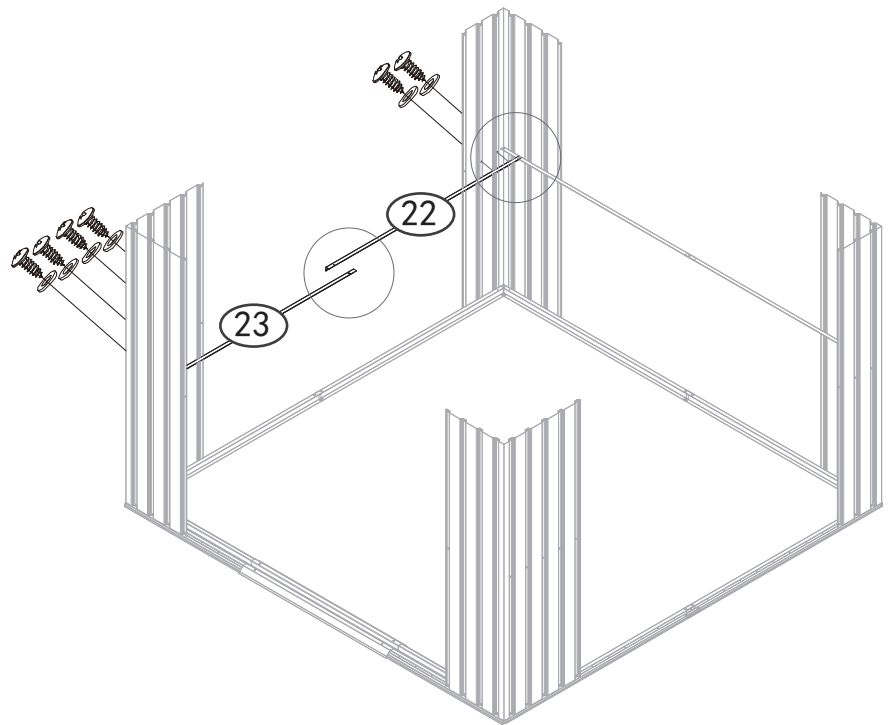
NO.	PART	Qty.
P3		2
F1		8
S2		8







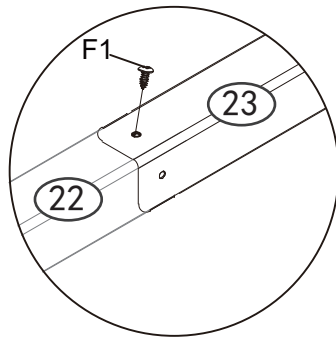
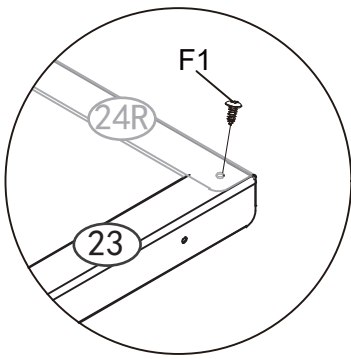
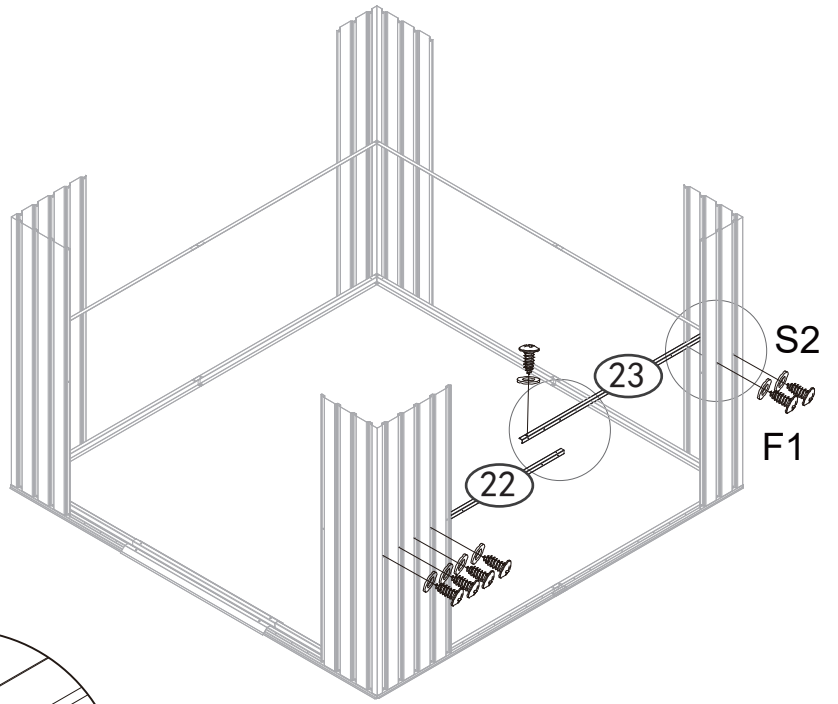
NO.	PART	Qty.
24L		1
24R		1
F1		7
S2		7






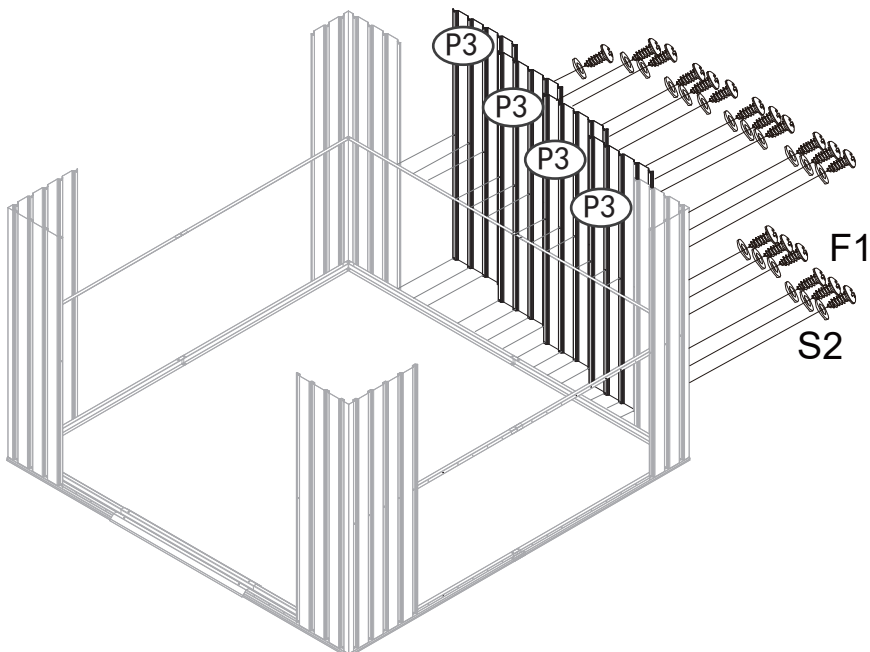
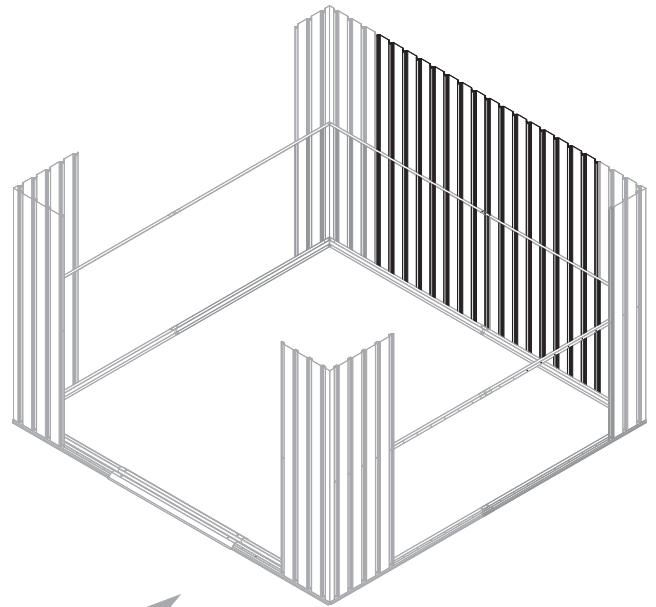
NO.	PART	Qty.
22		1
23		1
F1		8
S2		8






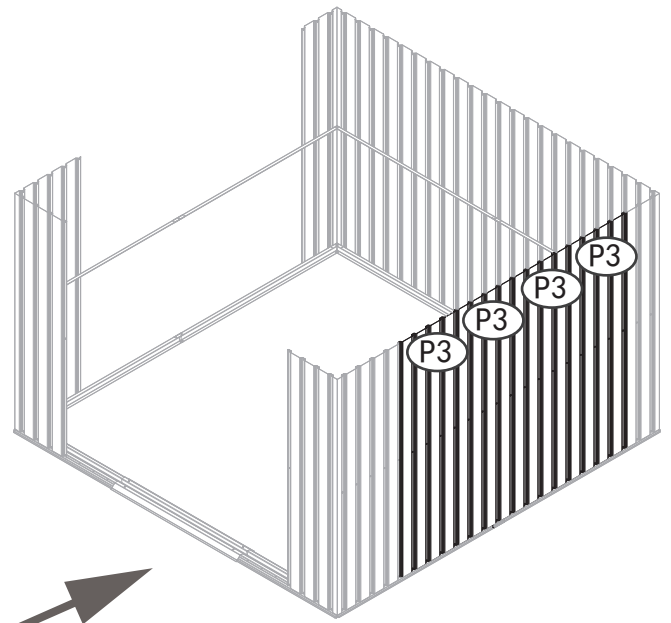
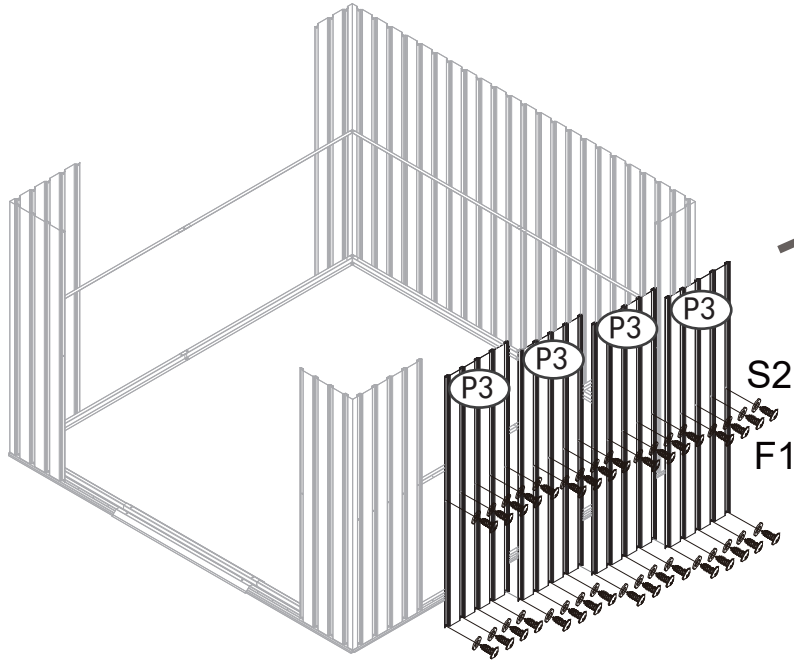
NO.	PART	Qty.
22		1
23		1
F1		8
S2		8






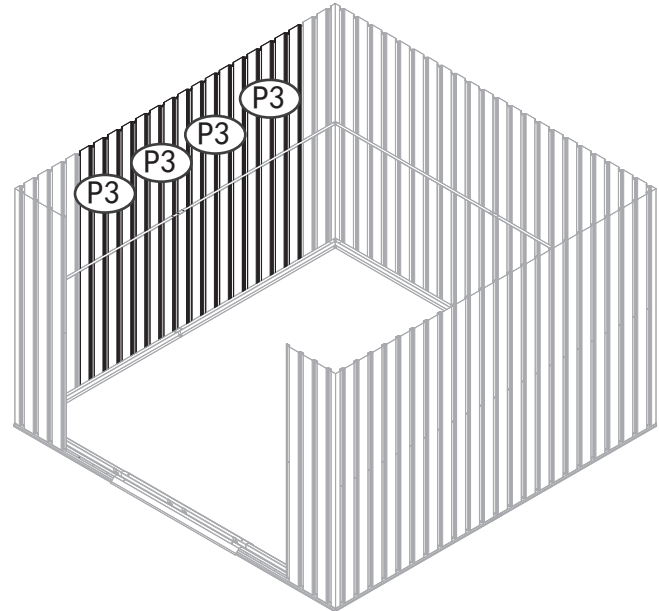
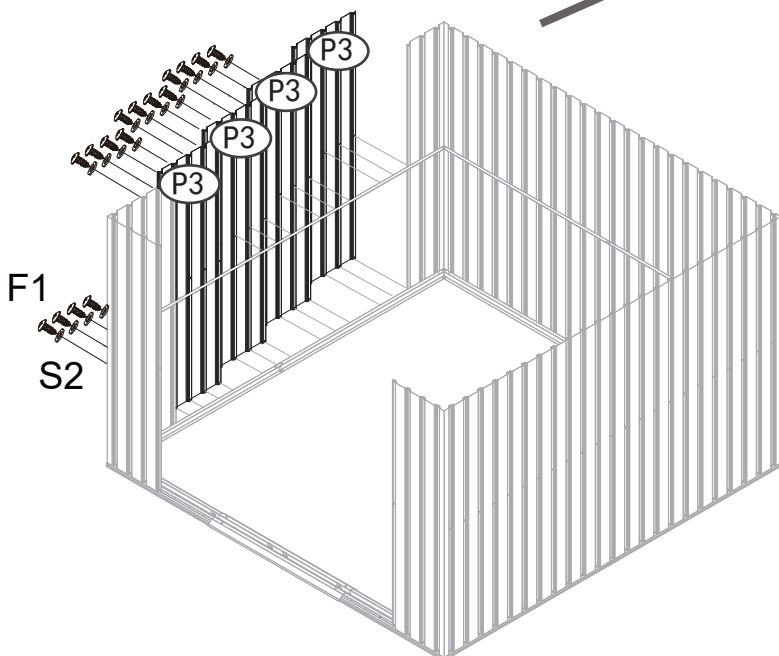
NO.	PART	Qty.
P3		4
F1		34
S2		34


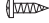




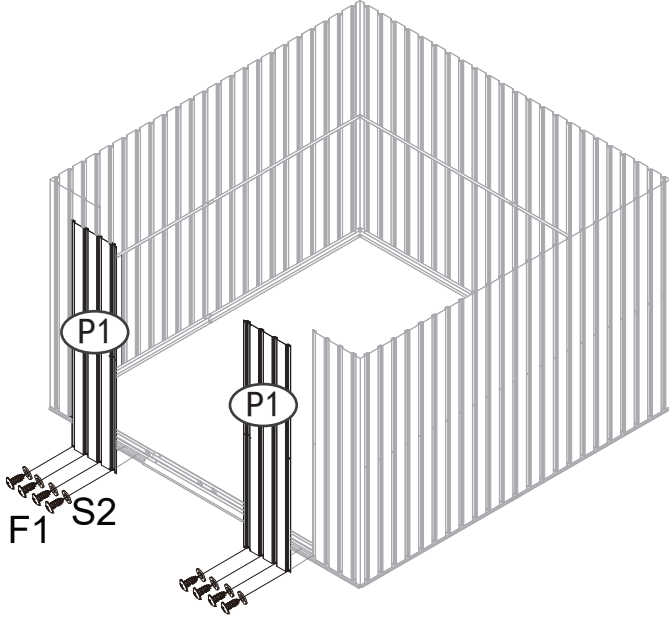
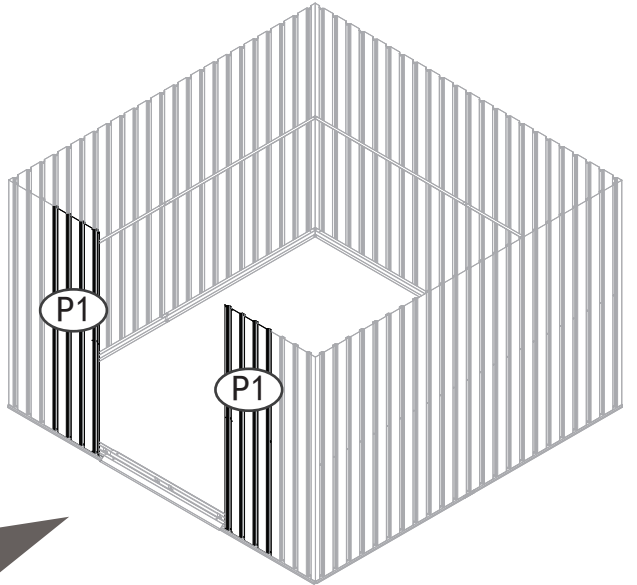
NO.	PART	Qty.
P3		4
F1		34
S2		34







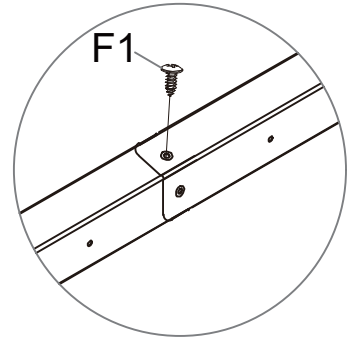
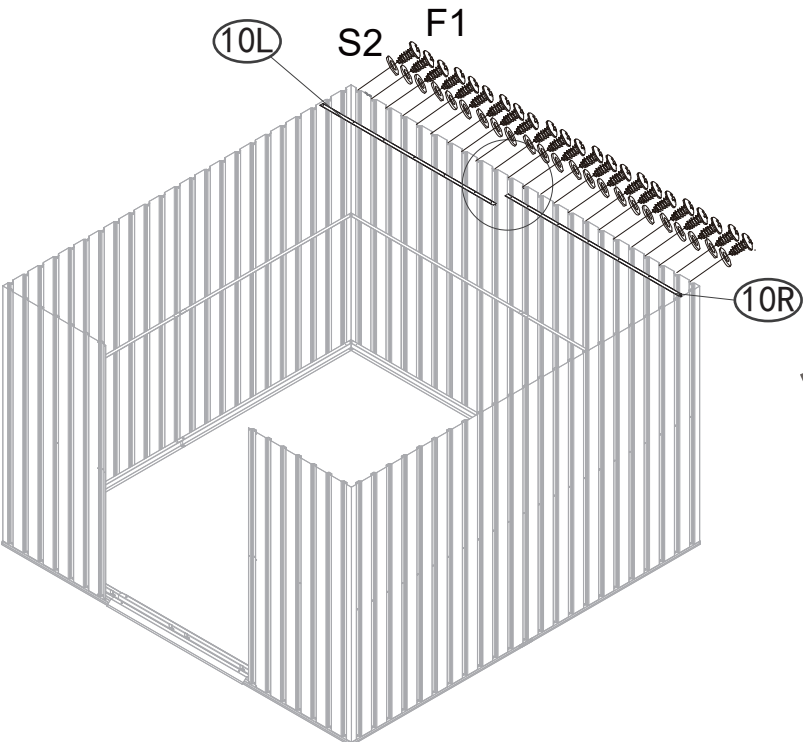
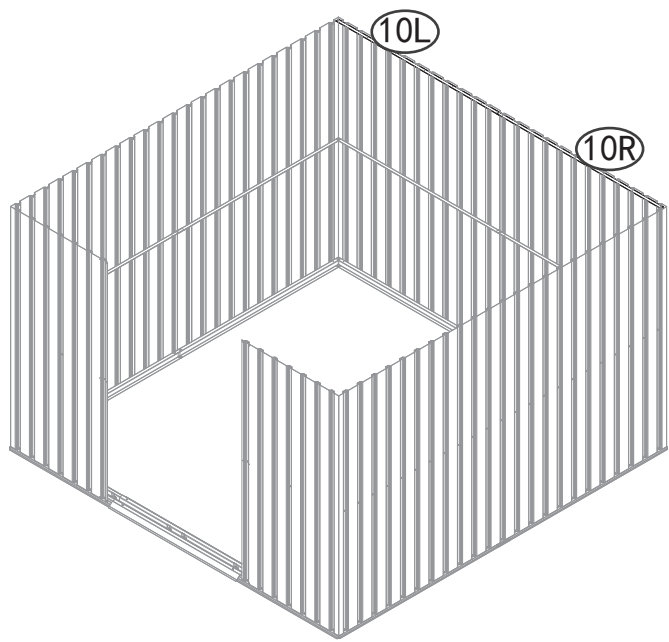
NO.	PART	Qty.
P3		4
F1		34
S2		34







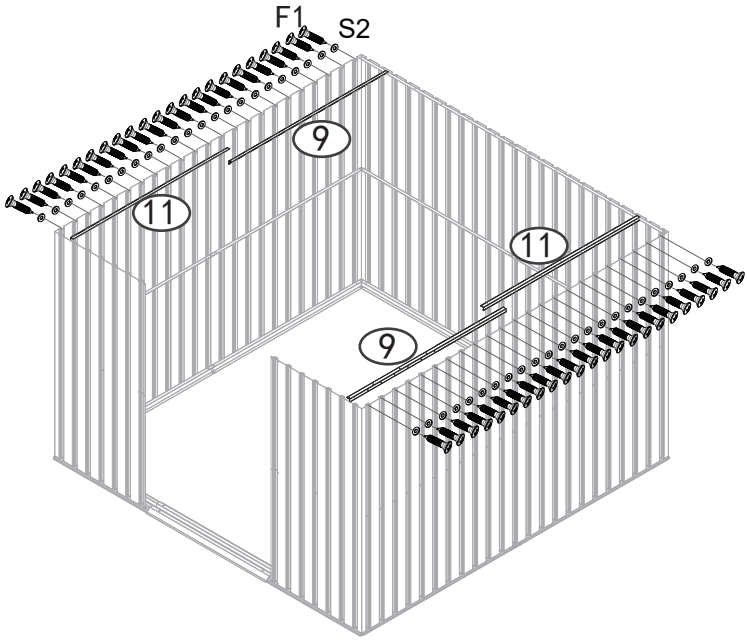
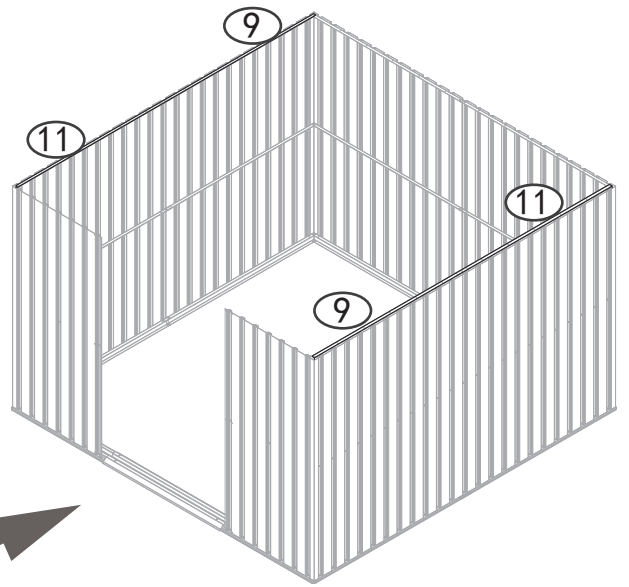
NO.	PART	Qty.
P1		2
F1		8
F2		2
S2		10





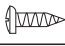




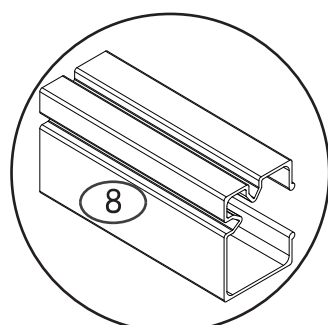
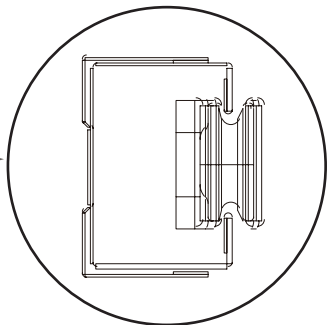
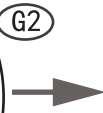
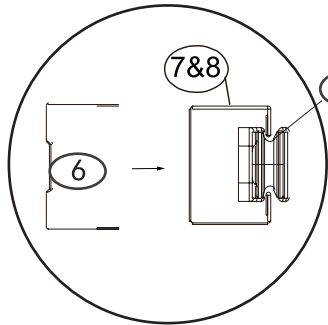
NO.	PART	Qty.
10L		1
10R		1
F1		23
S2		23



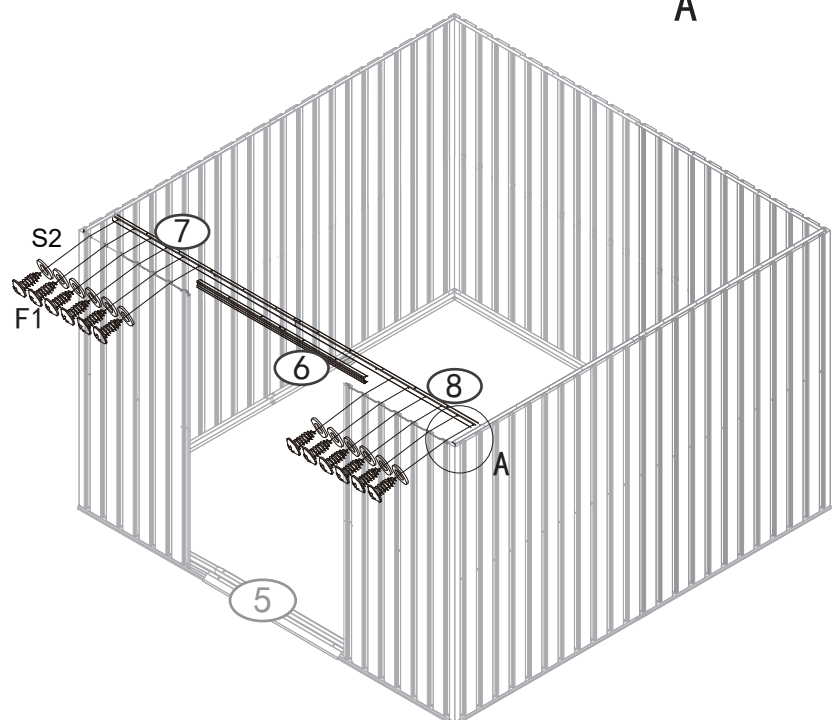
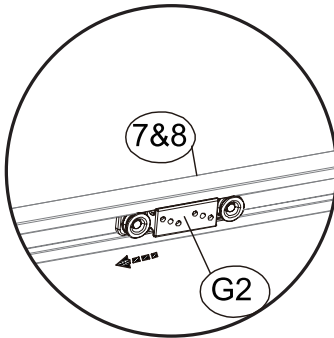
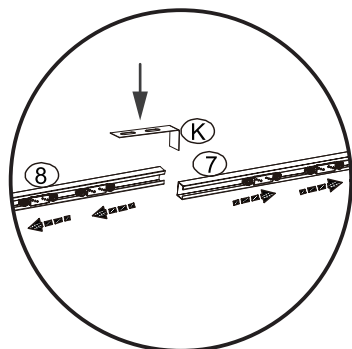
NO.	PART	Qty.
9		2
11		2
F1		44
S2		44







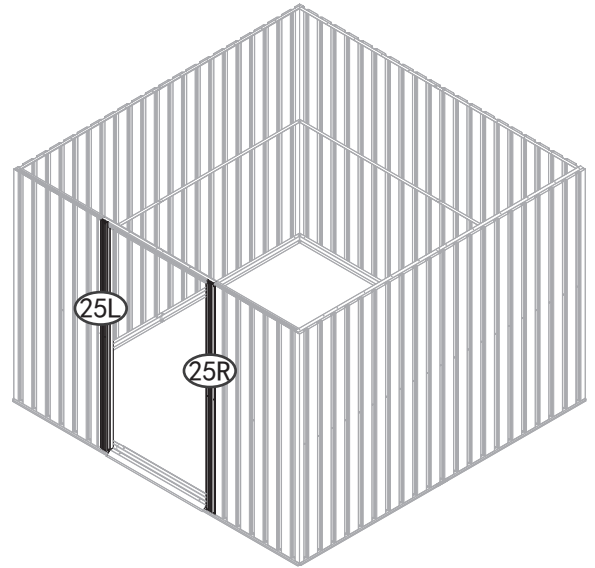
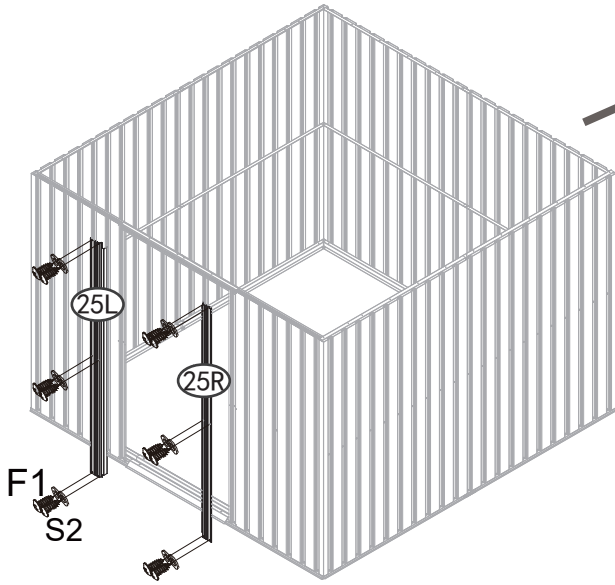
PART	NO.	Qty.
	6	1
	7	1
	8	1
	G2	4
	F1	14
	S2	14
	K	1








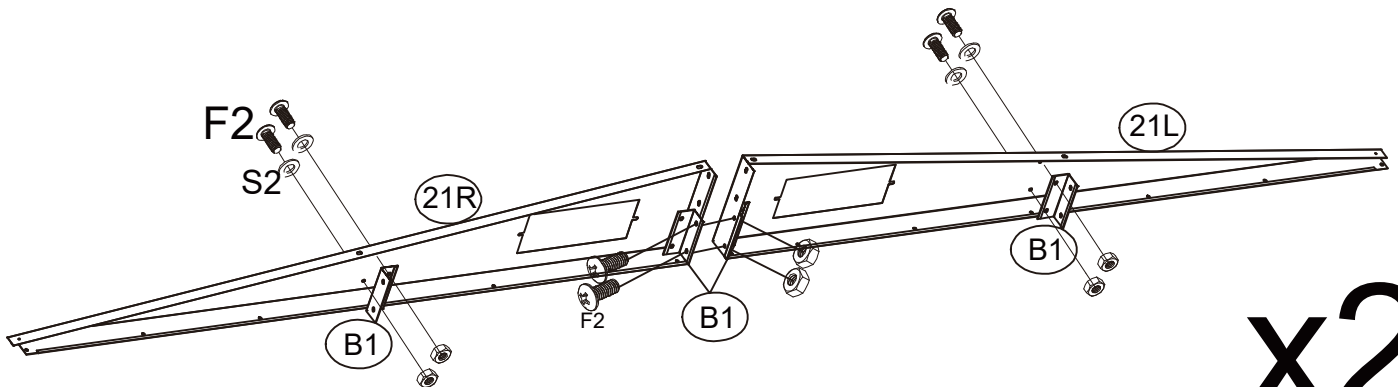
A



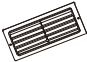

NO.	PART	Qty.
25L		1
25R		1
F1		12
S2		12

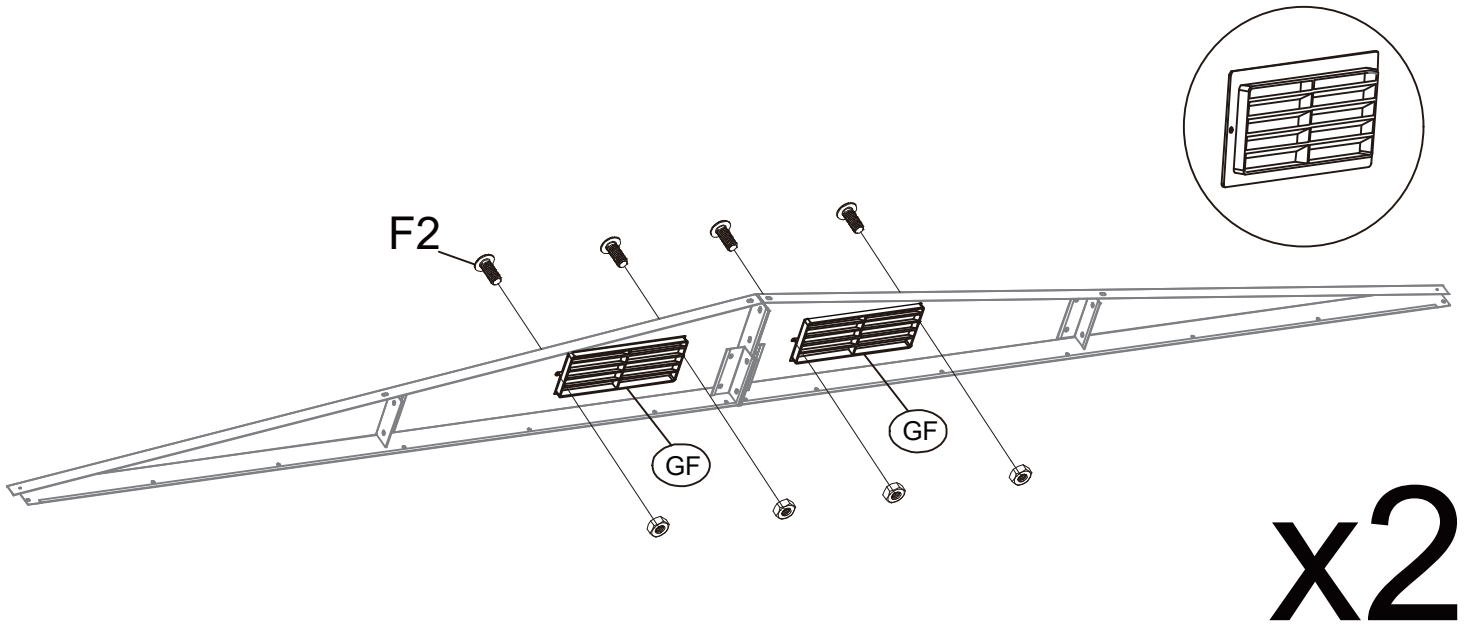




NO.	PART	Qty.
21L		2
21R		2
B1		8
F2		12
S2		8

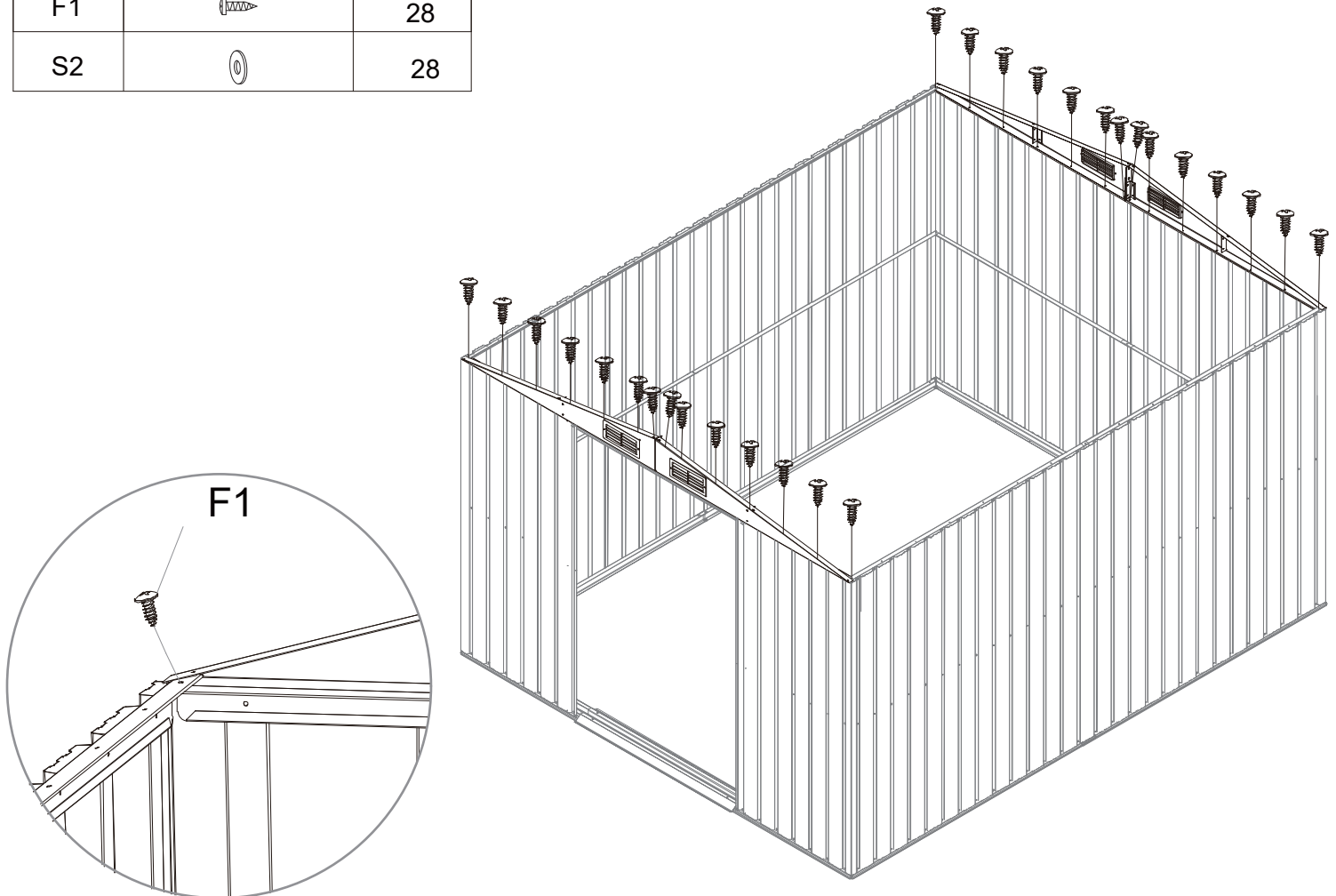





x2

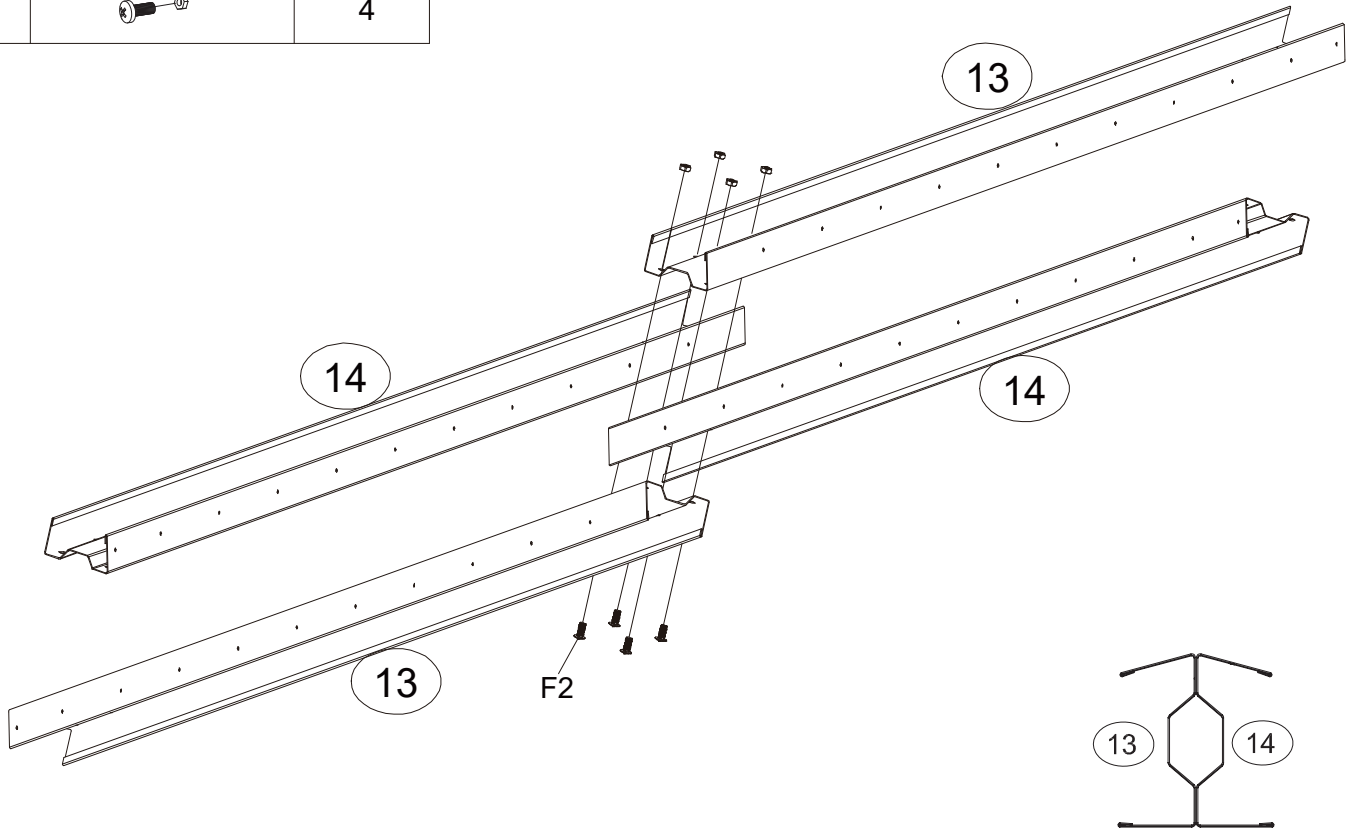
NO.	PART	Qty.
GF		4
F2		8




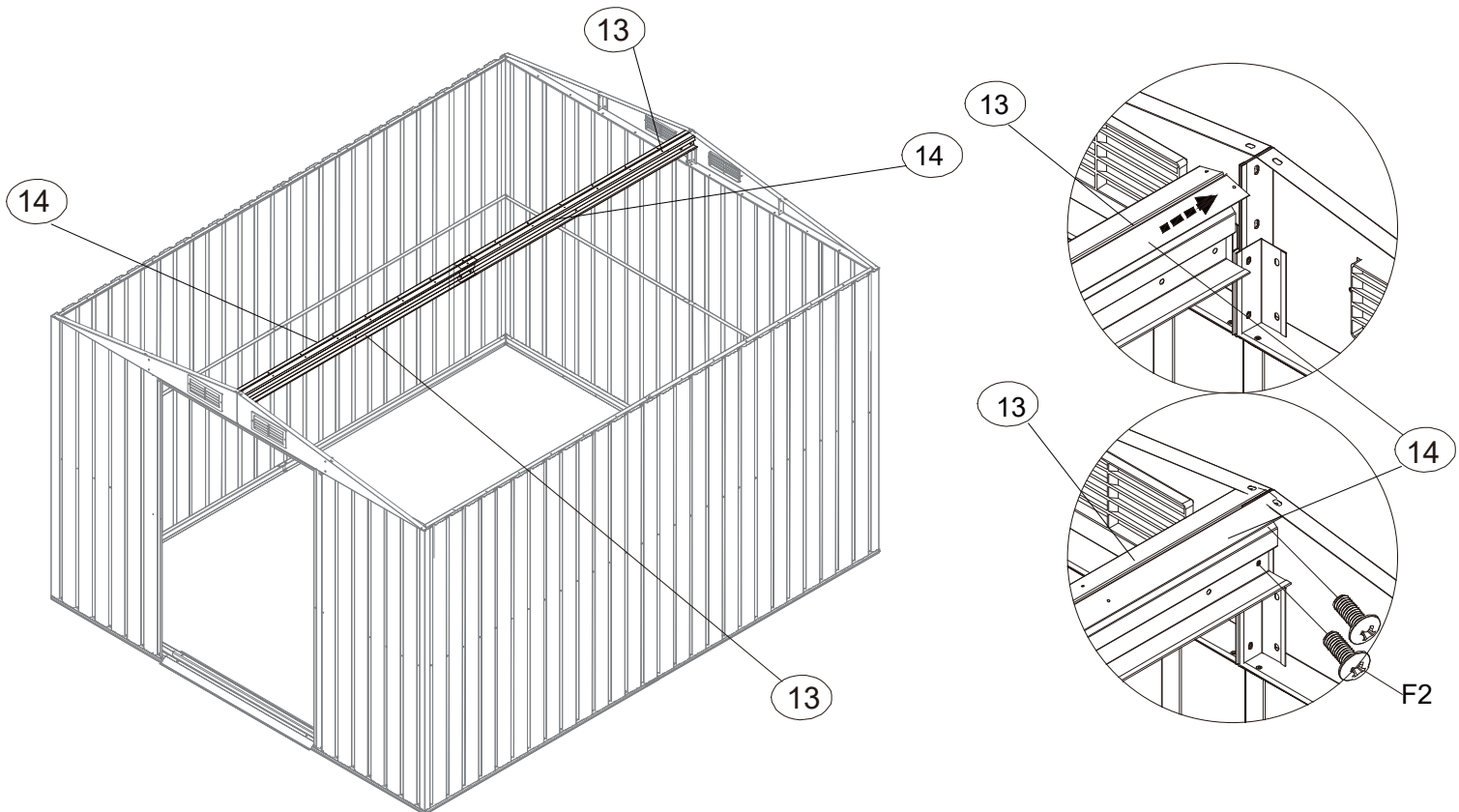
NO.	PART	Qty.
F1		28
S2		28






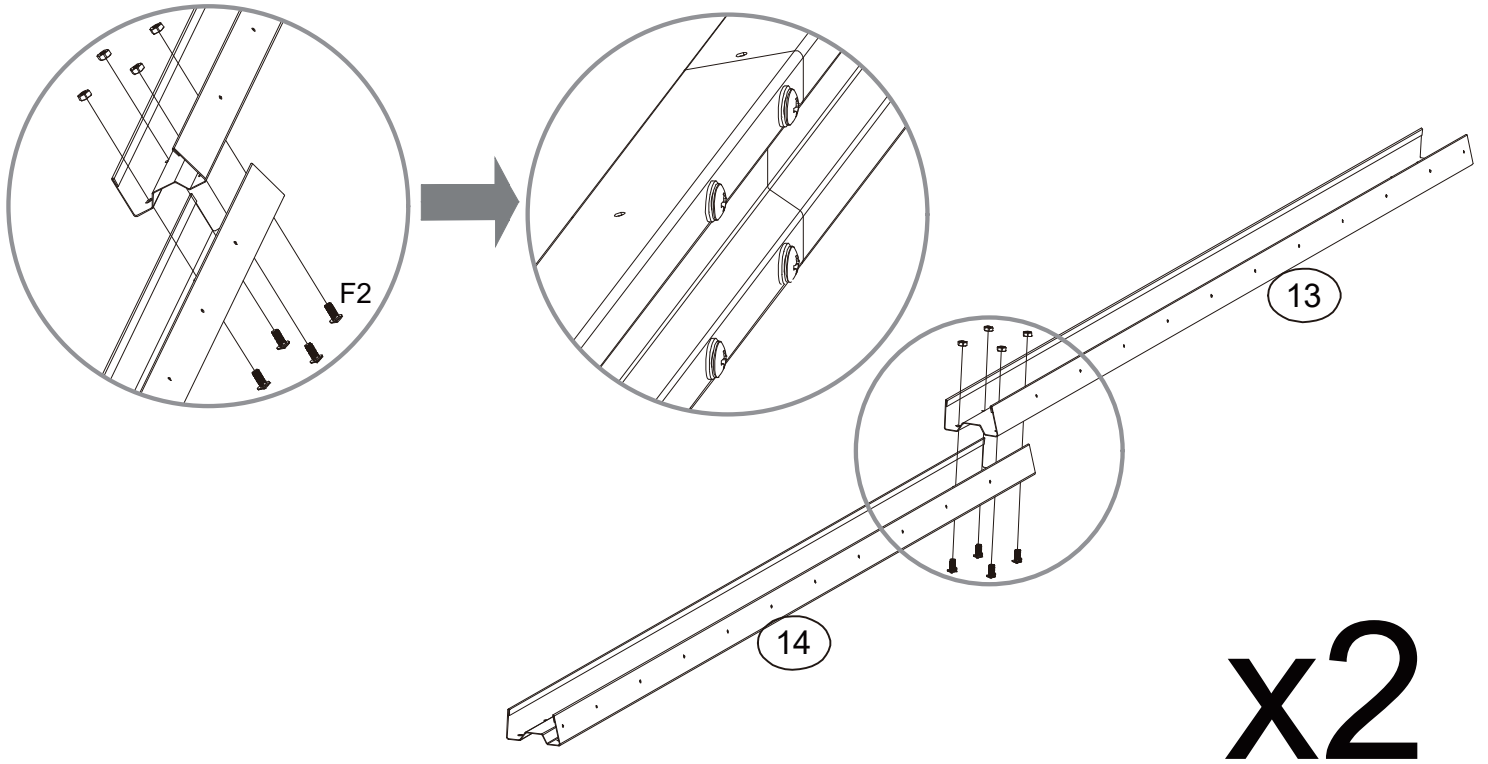
NO.	PART	Qty.
13		2
14		2
F2		4




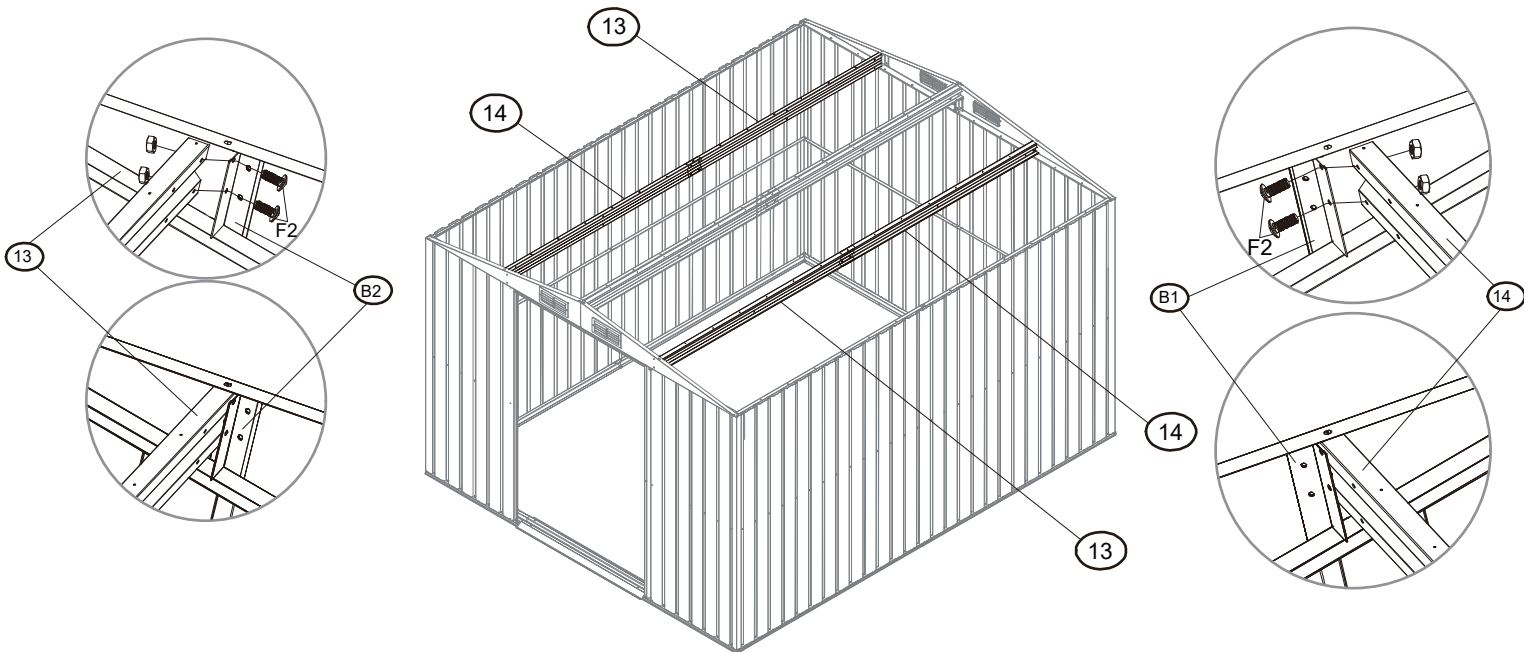
NO.	PART	Qty.
F2		4







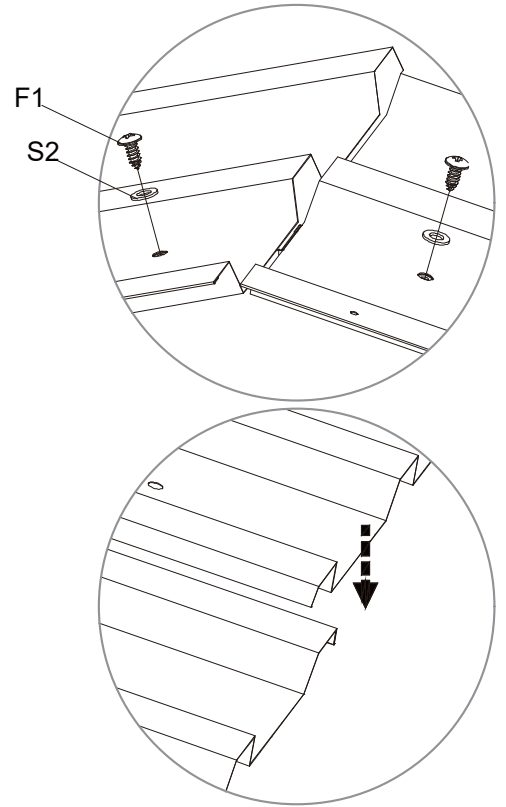
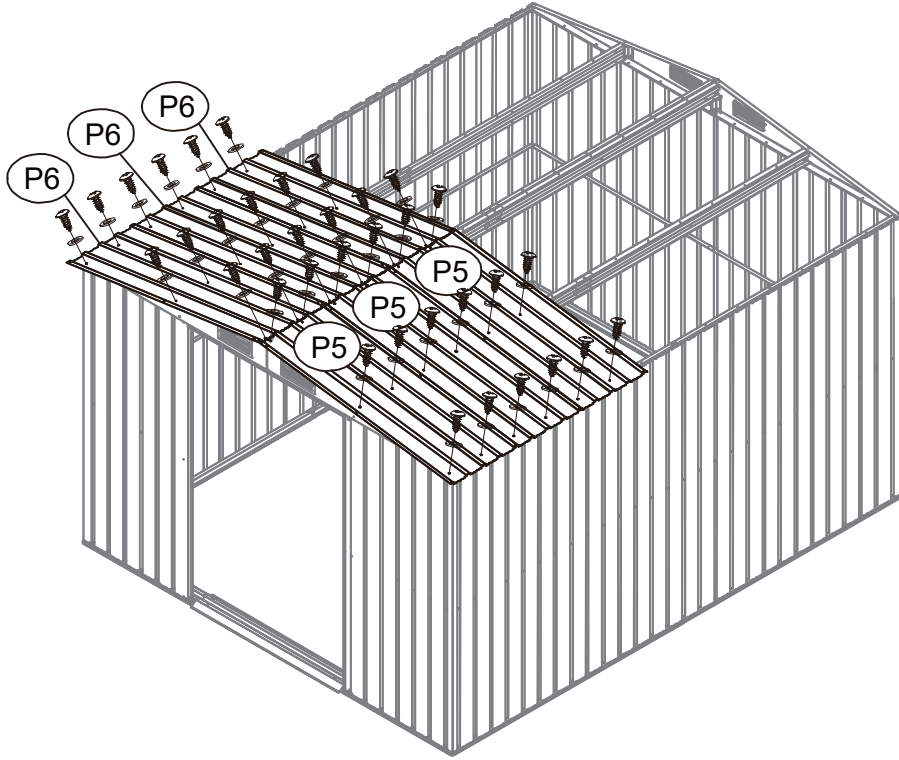
NO.	PART	Qty.
13		2
14		2
F2		8



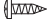
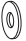


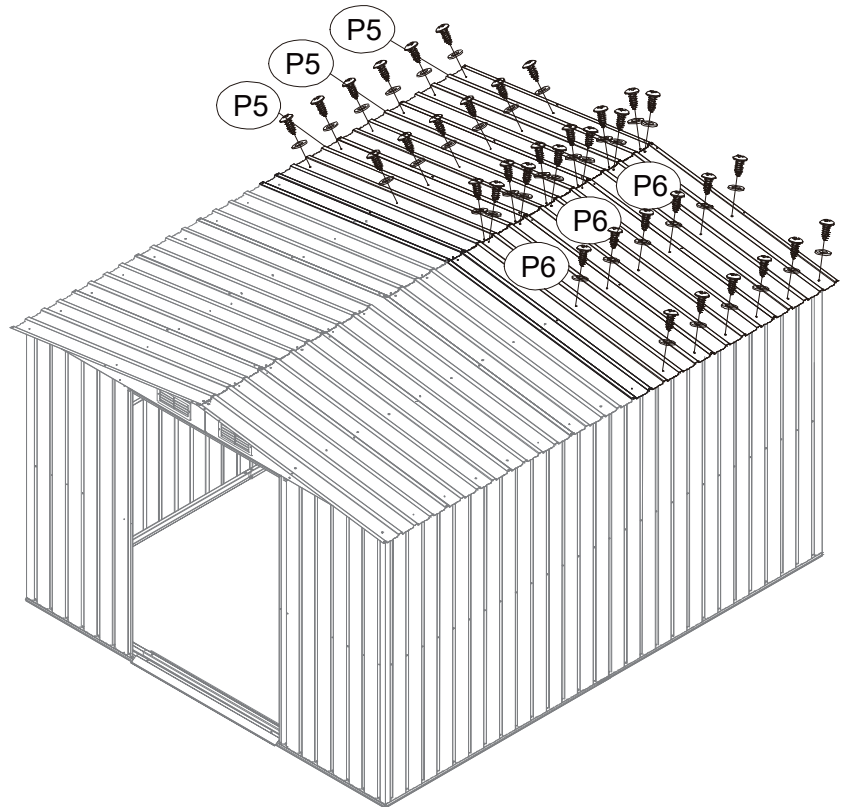
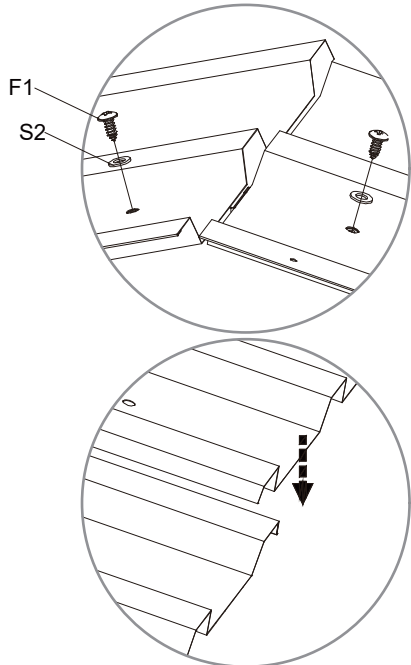
NO.	PART	Qty.
F2		8

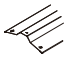




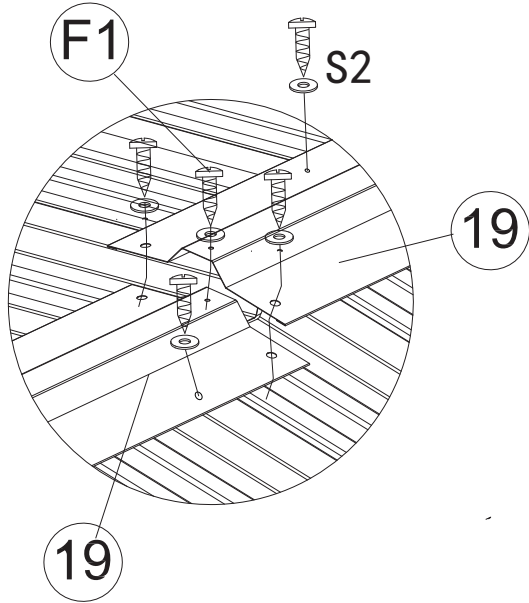
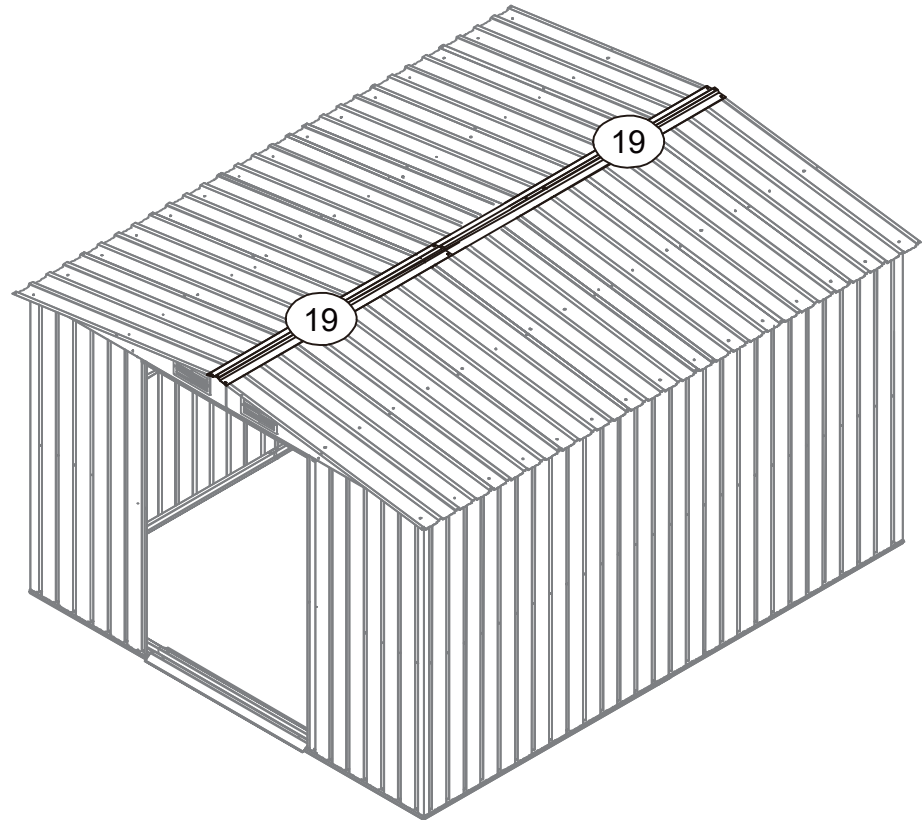
NO.	PART	Qty.
P5		3
P6		3
F1		36
S2		36







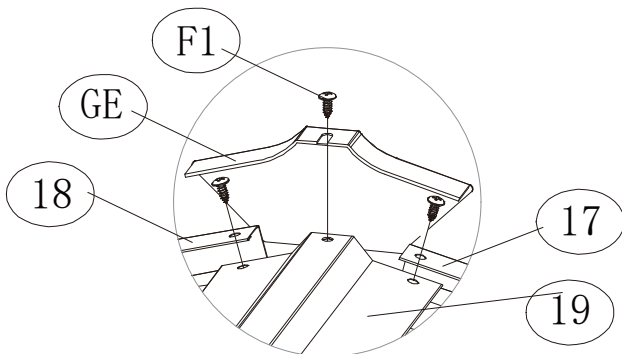
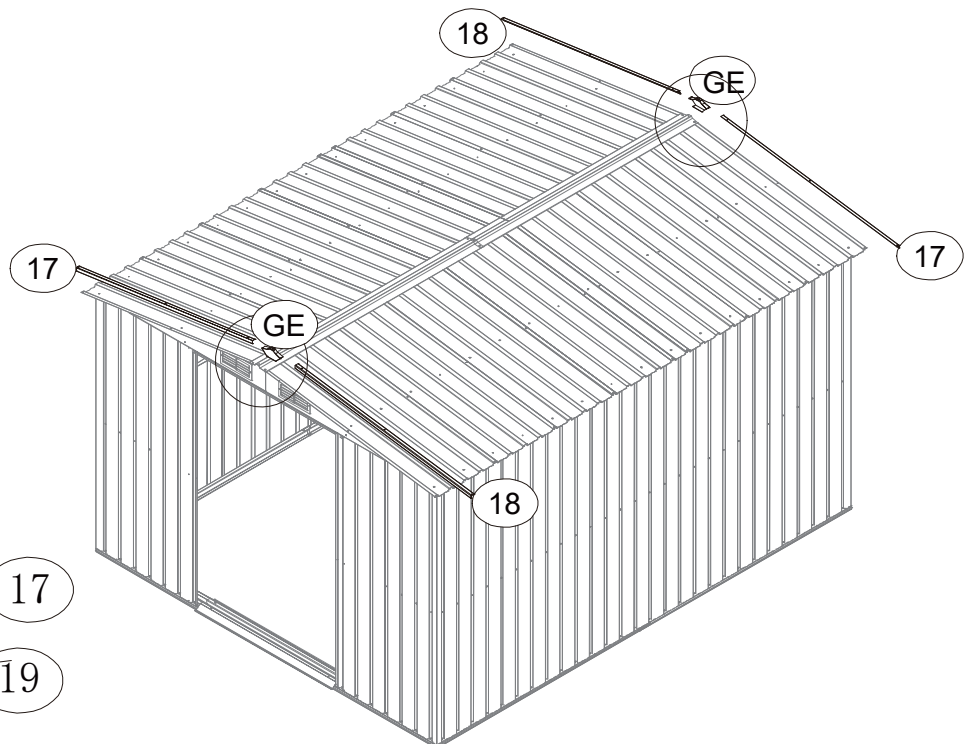
NO.	PART	Qty.
P5		3
P6		3
F1		36
S2		36

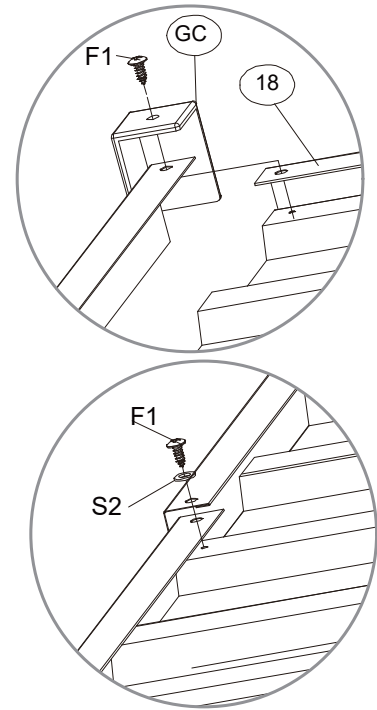
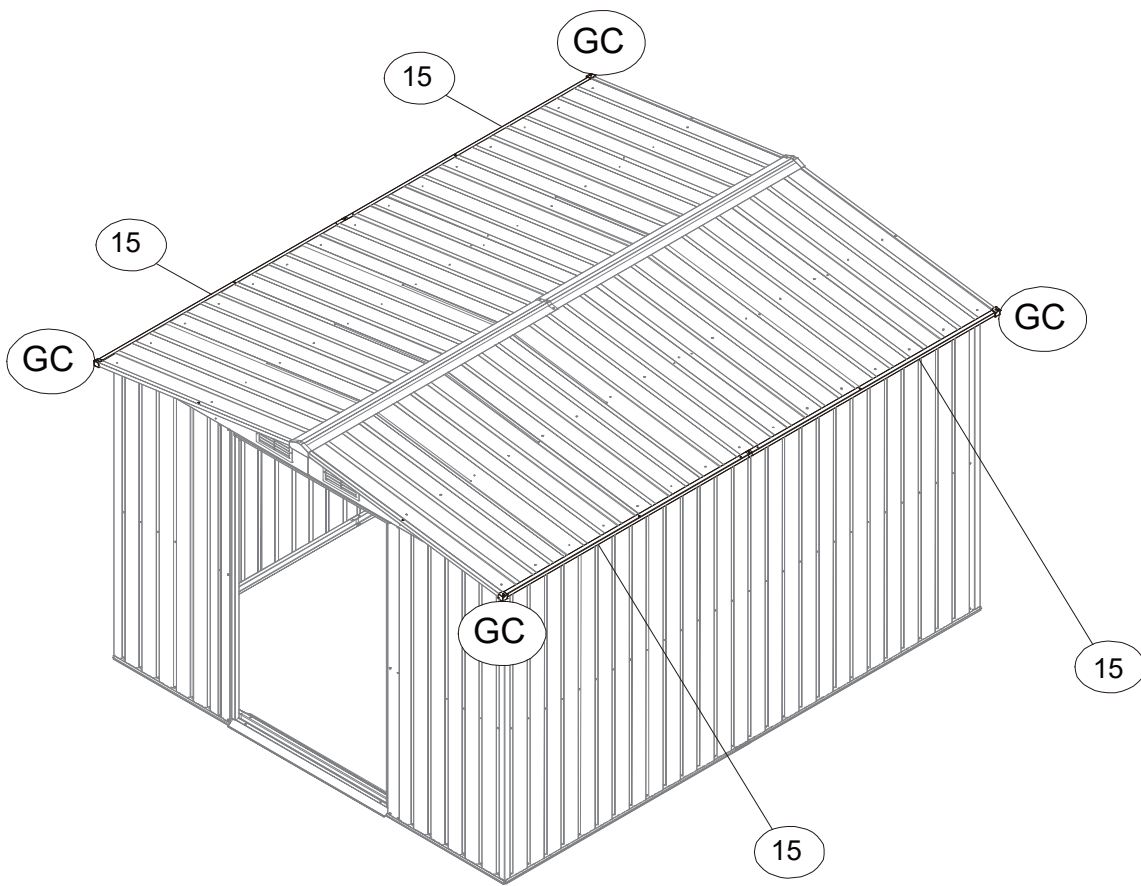






NO.	PART	Qty.
19		2
F1		3
S2		3


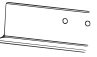



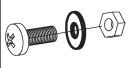


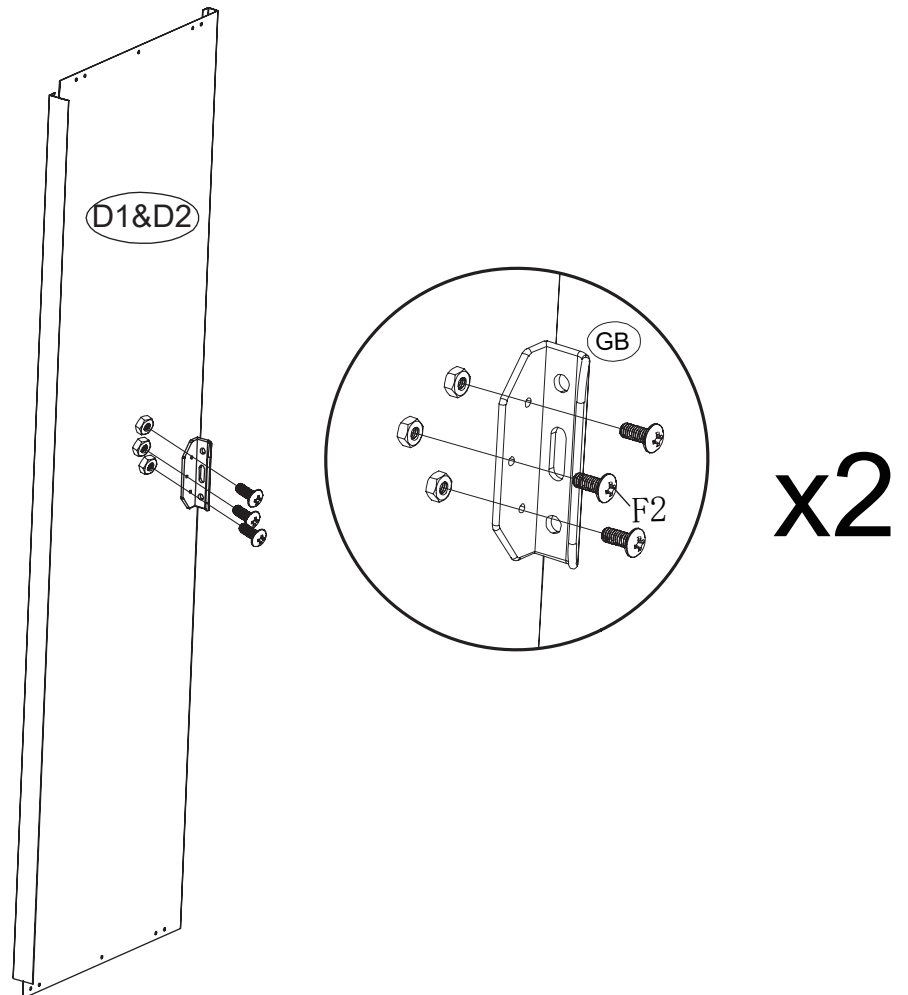
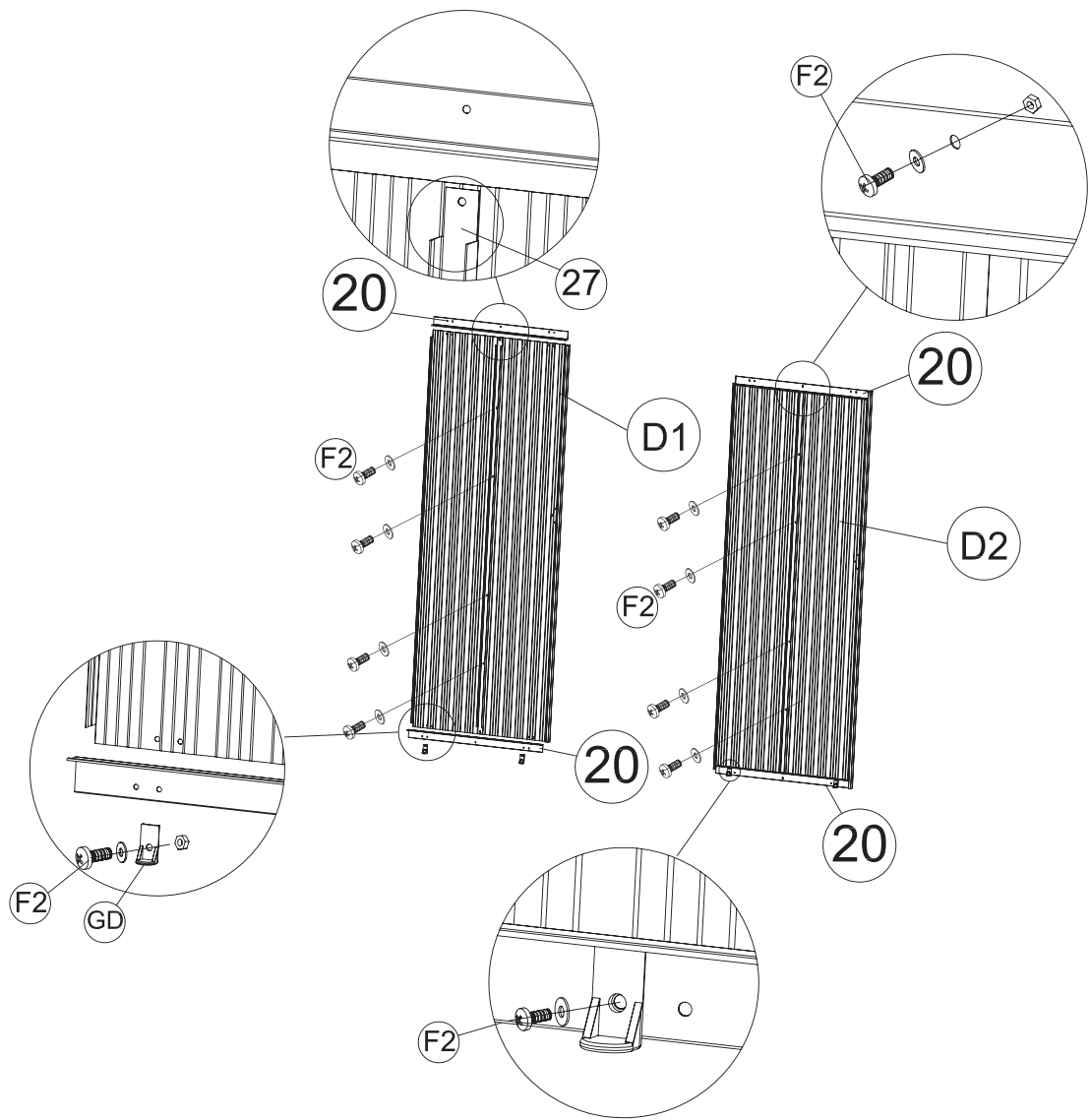
NO.	PART	Qty.
17		2
18		2
GE		2
F1		10

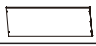
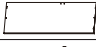




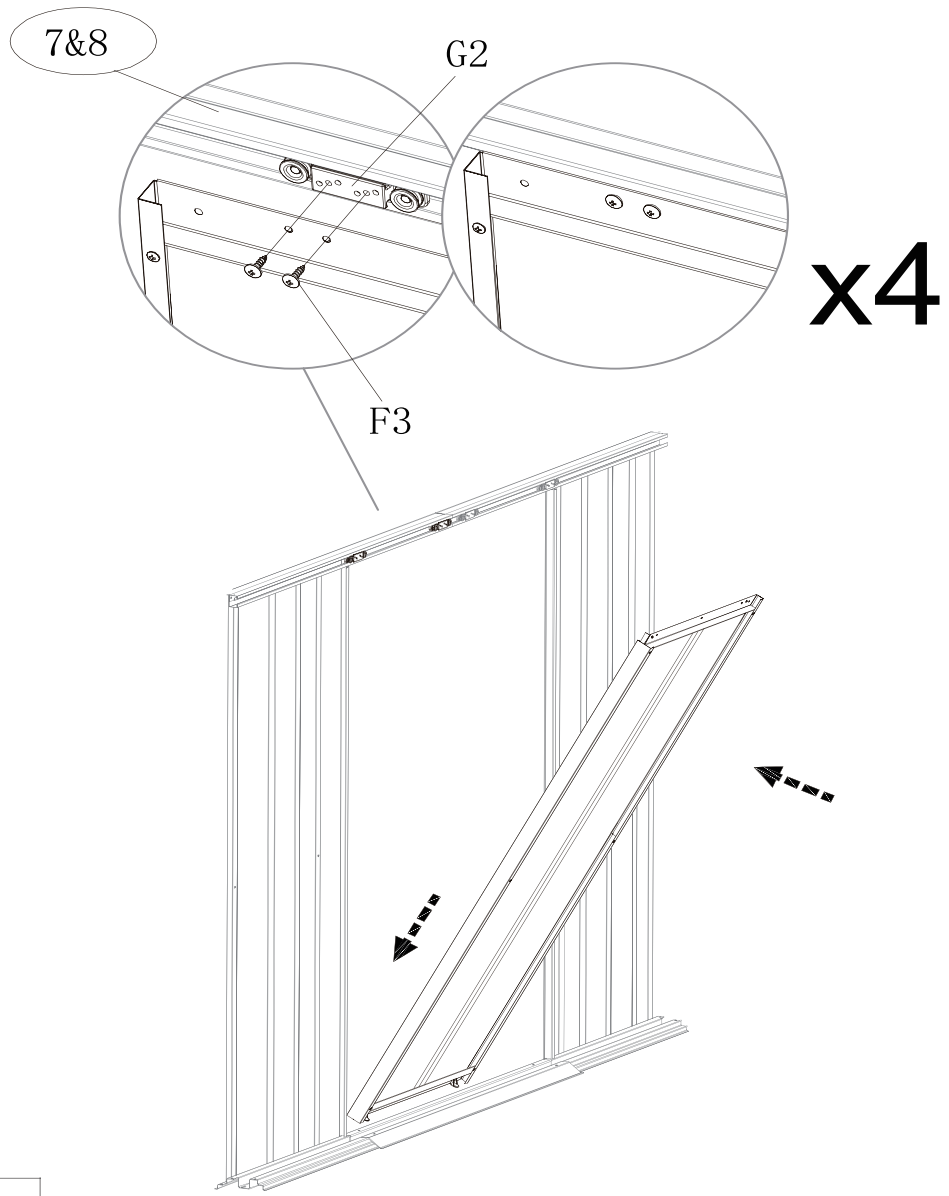


NO.	PART	Qty.
15		4
GC		4
F1		6
S2		2

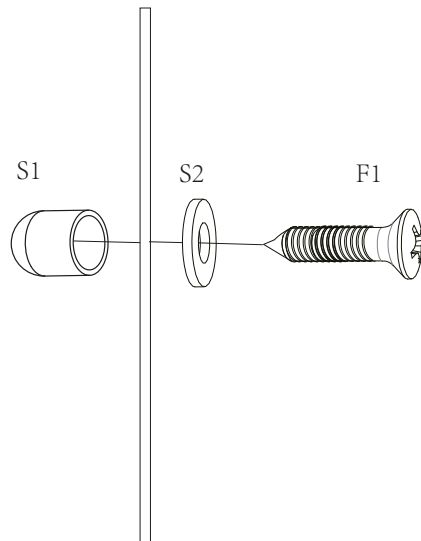
PART	NO.	Qty.
	27	2
	20	4
	D1	1
	D2	1
	GD	4
	F2	20




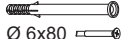
PART	NO.	Qty.
	D1	1
	D2	1
	GB	2
	F2	6

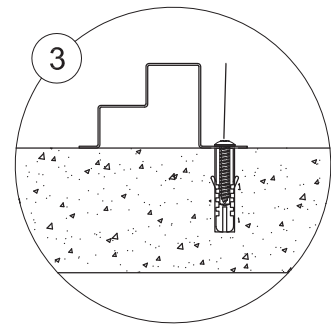
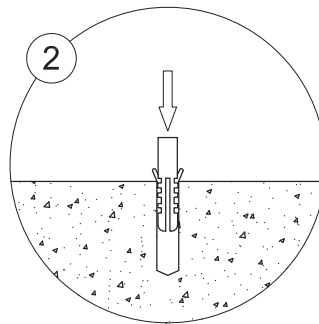
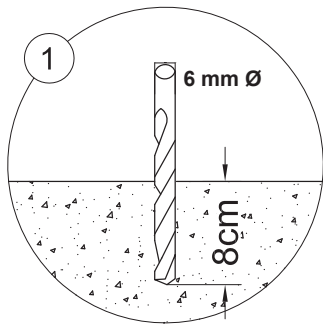
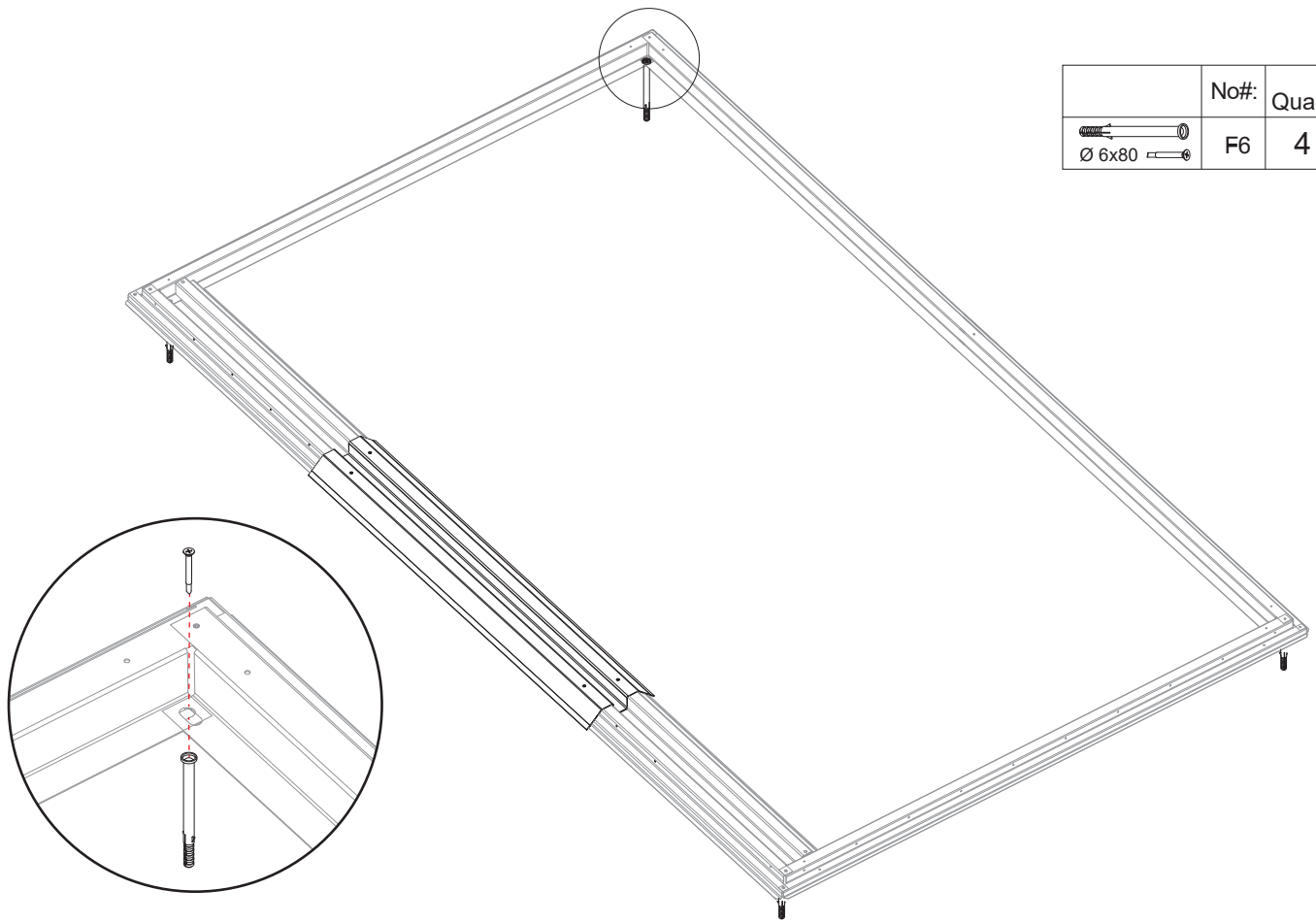


PART	NO.	Qty.
	F3	8



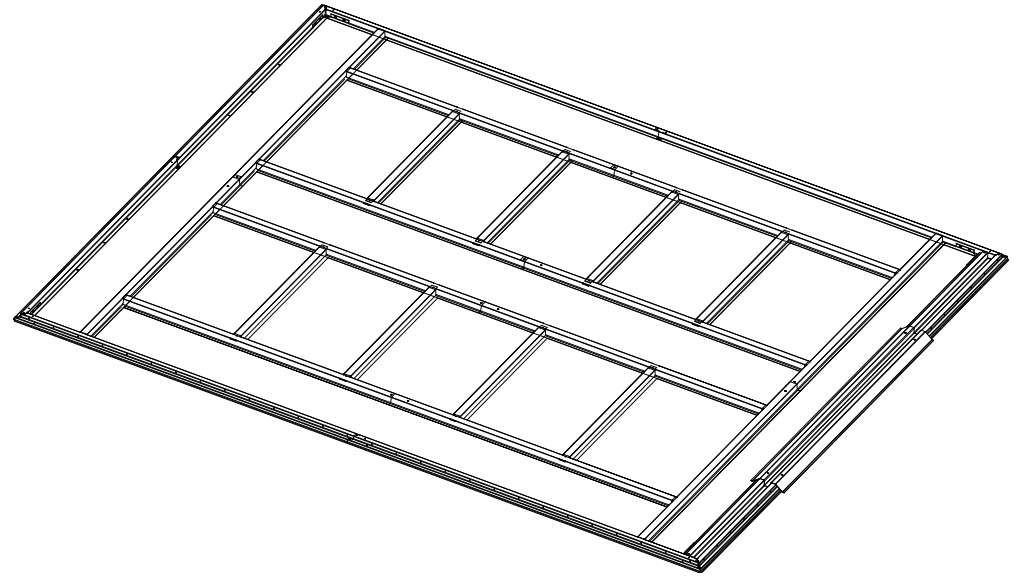
PART	NO.	Qty.
	S1	170

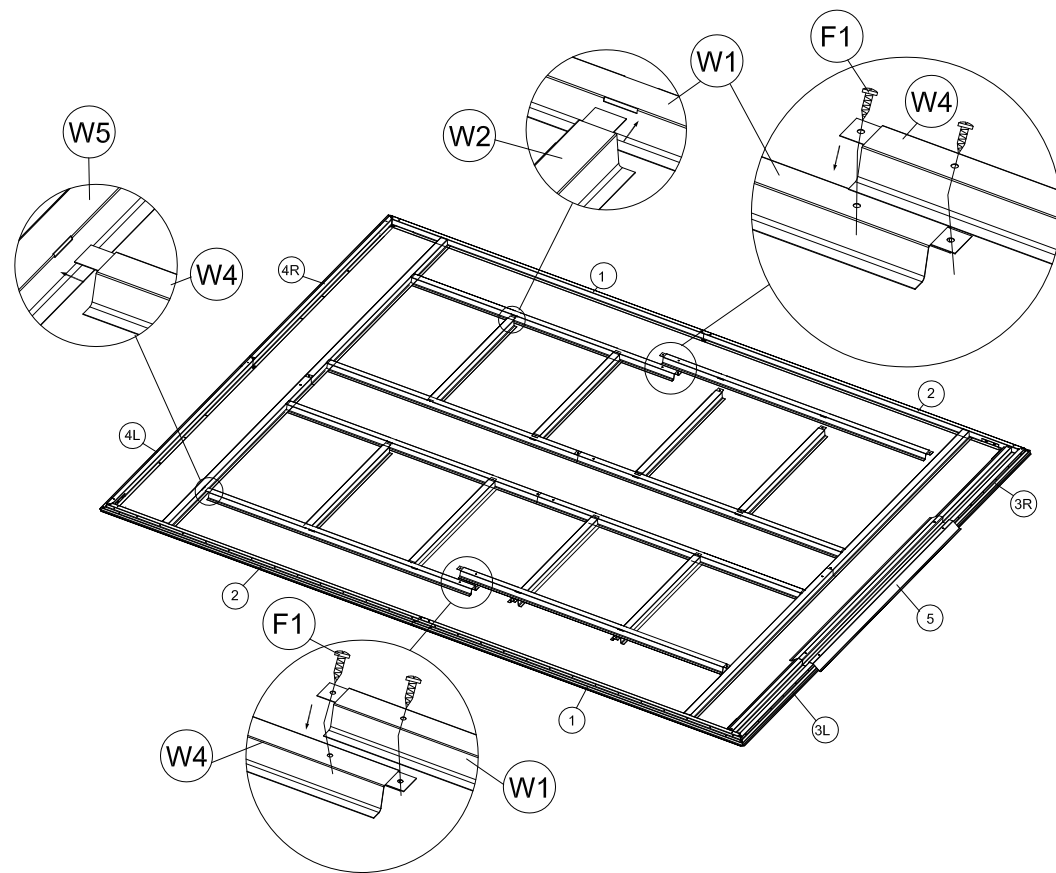
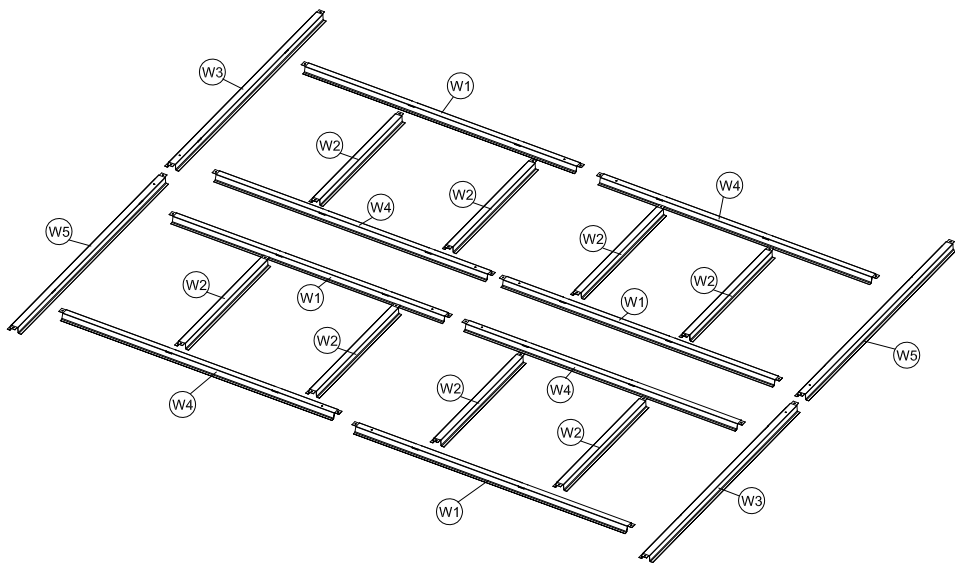
	No#:	Quantity
 Ø 6x80	F6	4





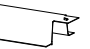
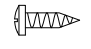


Metal Garden Shed Foundation Kit

Instructions for Assembly
Size 8' x 8'





PART	NO.	Qty.			
	W1	4			
	W2	8			
	W3	2		W5	2
	W4	4		F1	12

