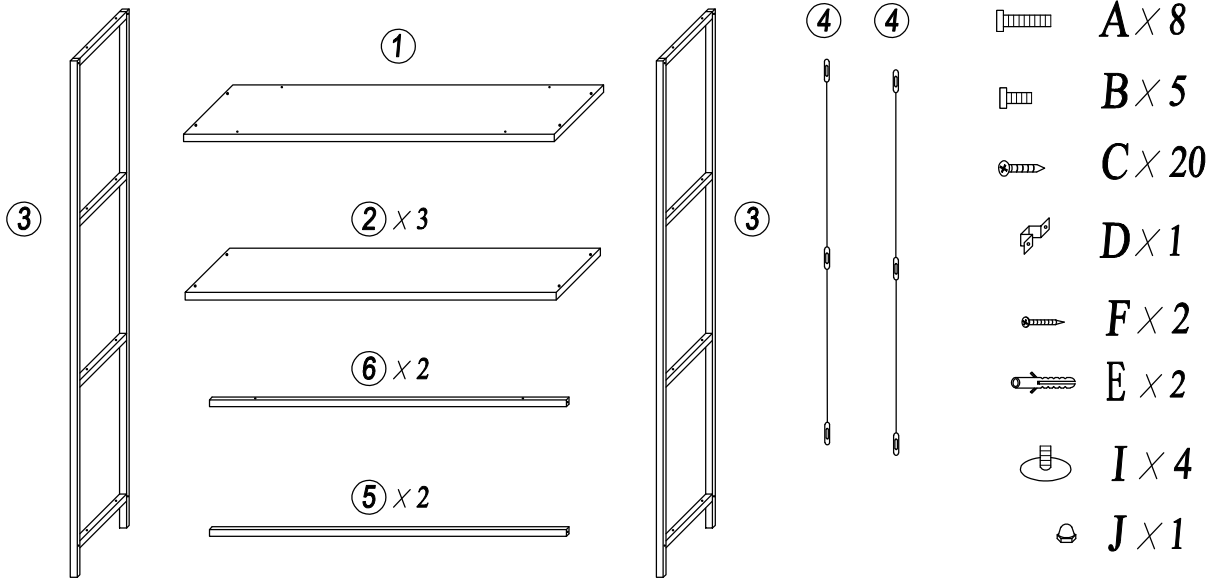
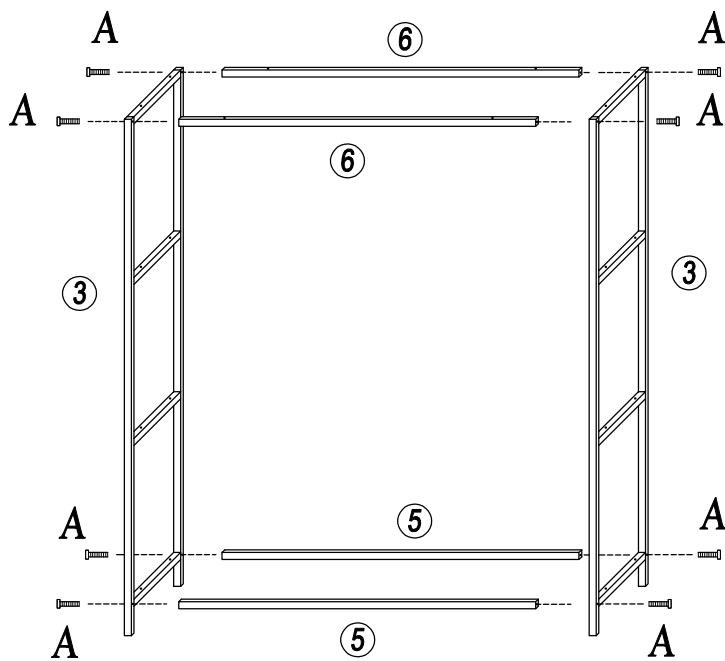


Instruction Manual

Part List:

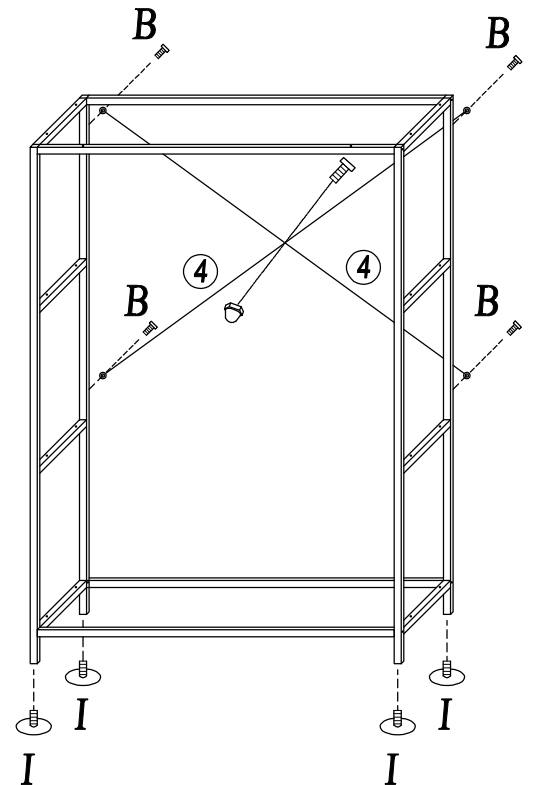


STEP1



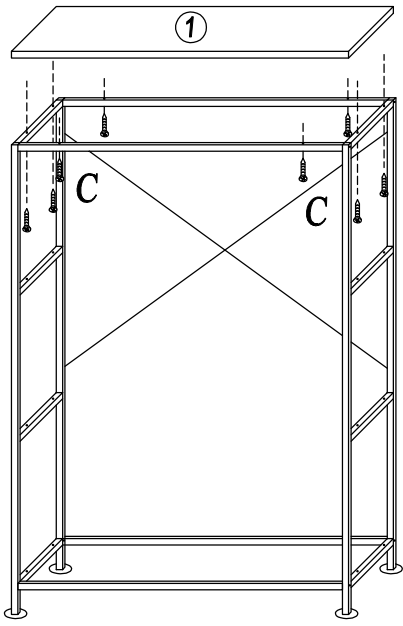
 A × 8


STEP2



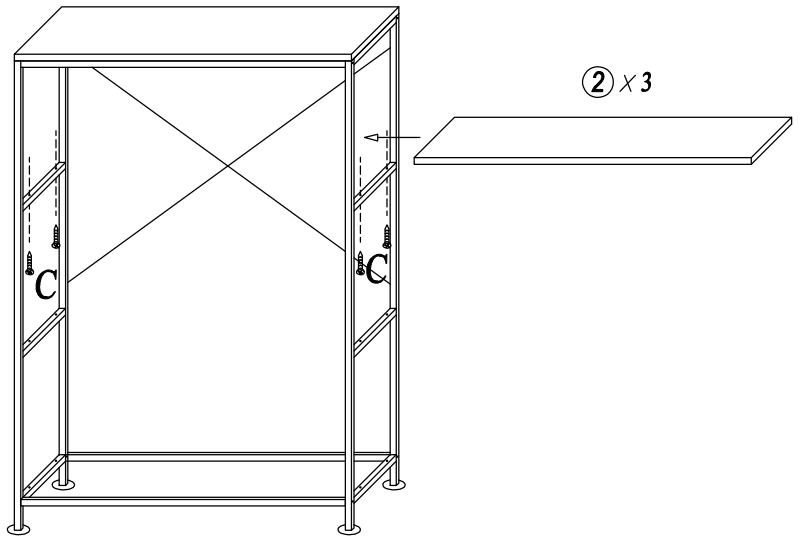
 J × 1  B × 5  I × 4


STEP3



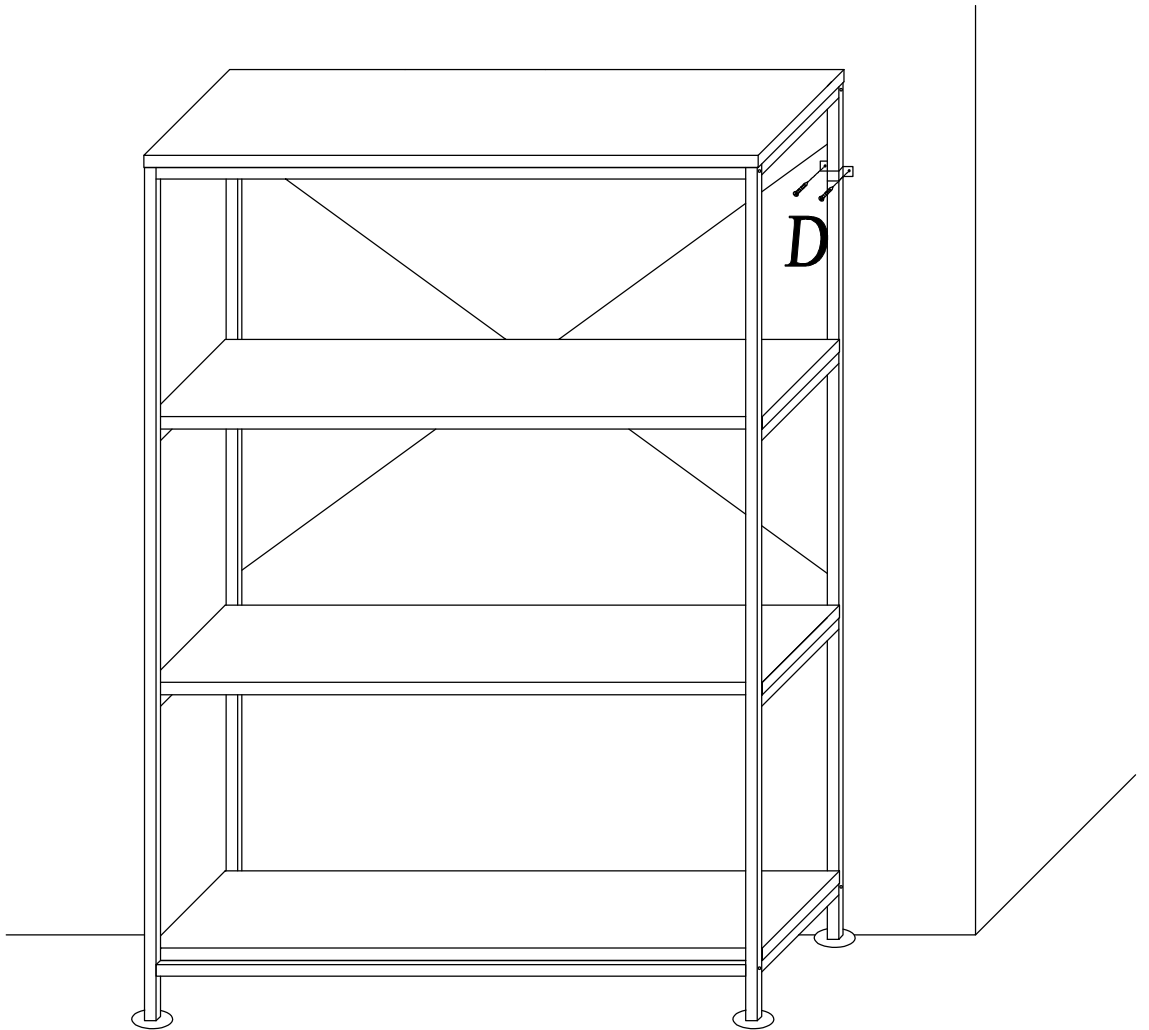
 C x 8

STEP4



 C x 12

STEP5



 F x 2  D x 1  E x 2