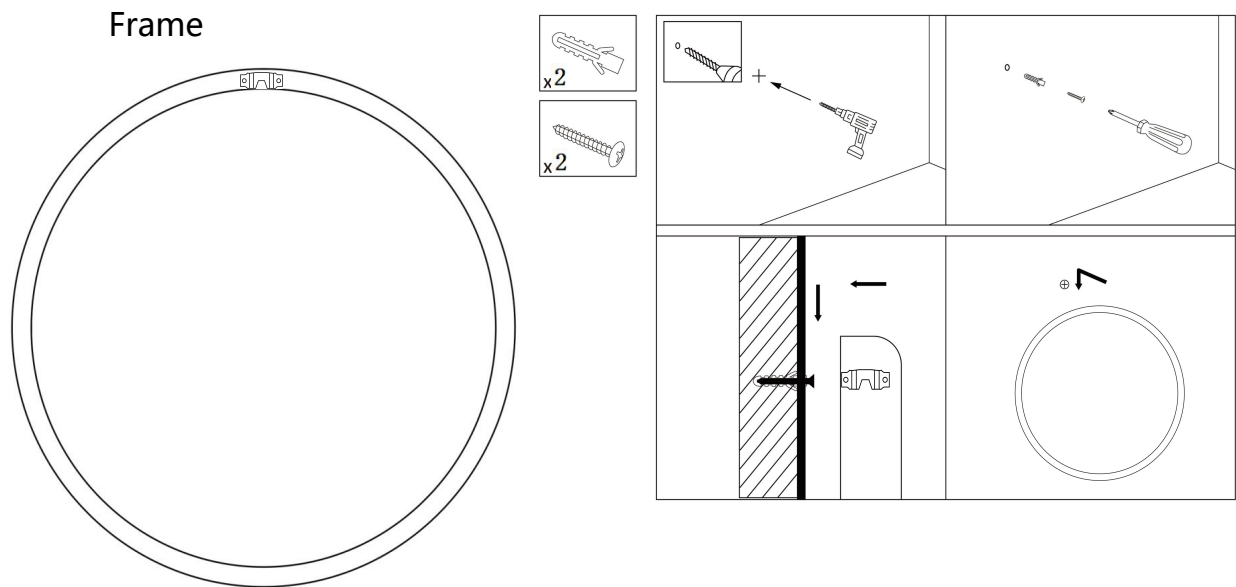


Installation Instructions



NOTE:

1:  This is a hook

2: Use the accessories according to the number of hanging holes on the back of the mirror , extra accessories are spare parts

Installation steps:

1. On the back of the mirror , mark the position you want to make pilot holes .
2. Make pilot holes to install proper anchors and hardware .
3. Lift the mirror into position and latch it on the screw .