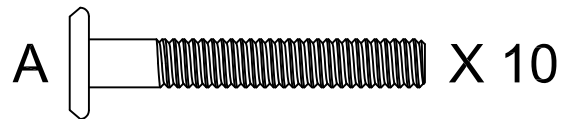
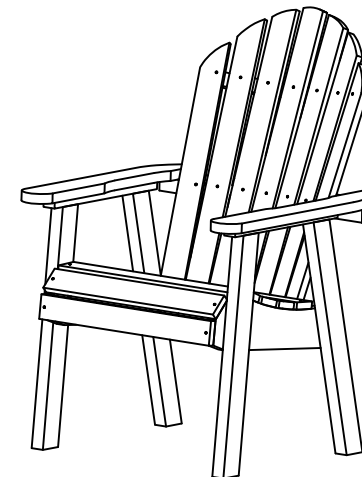


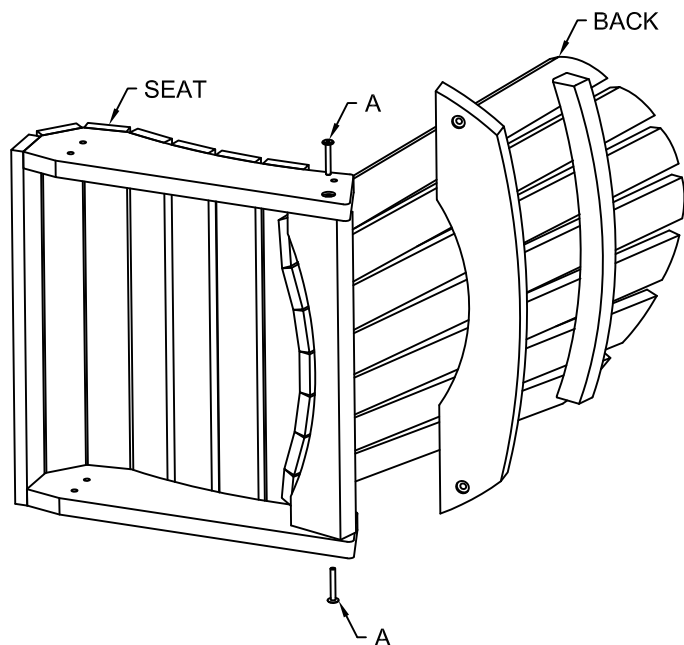
HARDWARE



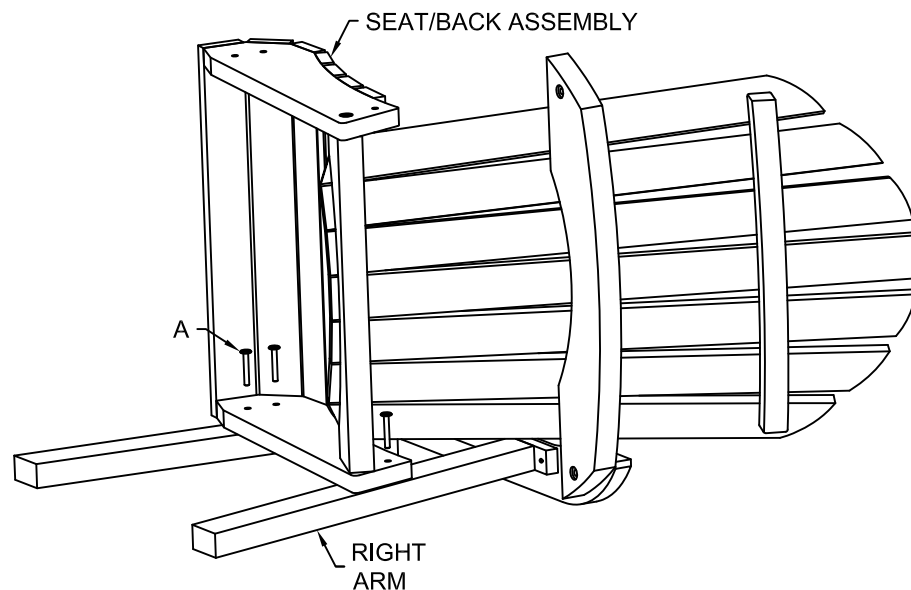
DINING HEIGHT CHAIR ASSEMBLY INSTRUCTIONS



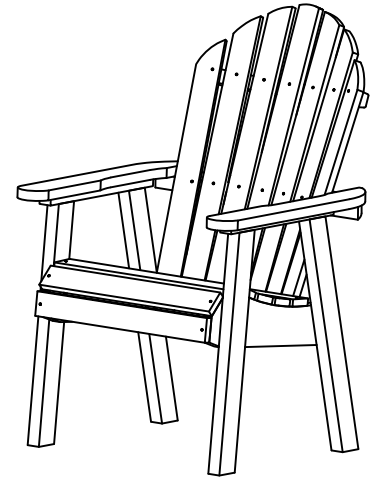
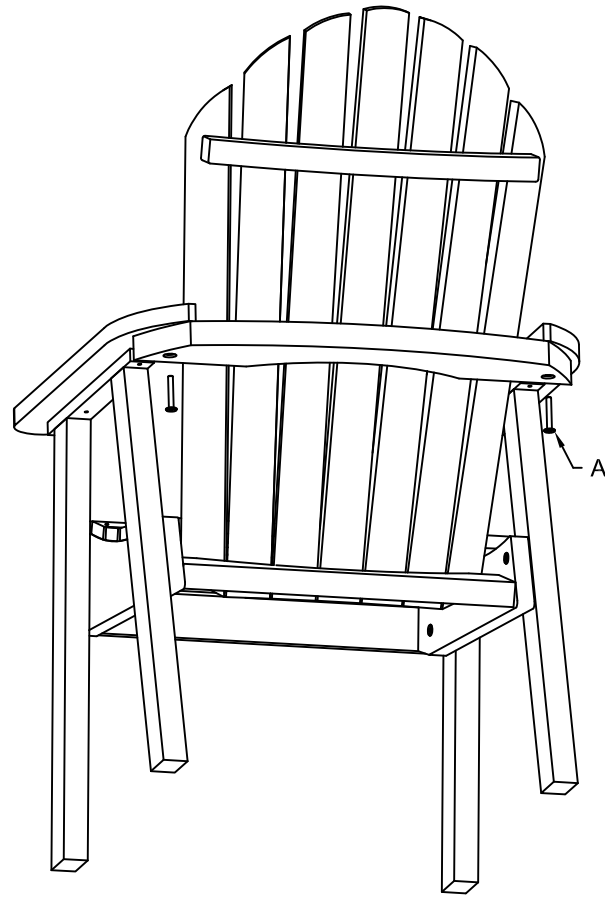
Do not fully tighten the bolts until all bolts are started. Once all bolts are inserted, then go back and tighten all the bolts.



1) Attach the seat to the back with 2 A bolts. Make sure the back is fully upright. Make bolts snug, but do not overtighten.



2) Attach the seat and back assembly from Step 1 to the right arm with 3 A bolts.
3) Repeat for left arm.



- 4) Attach the arms to the back using 2 A bolts.
- 5) Tighten All Bolts.