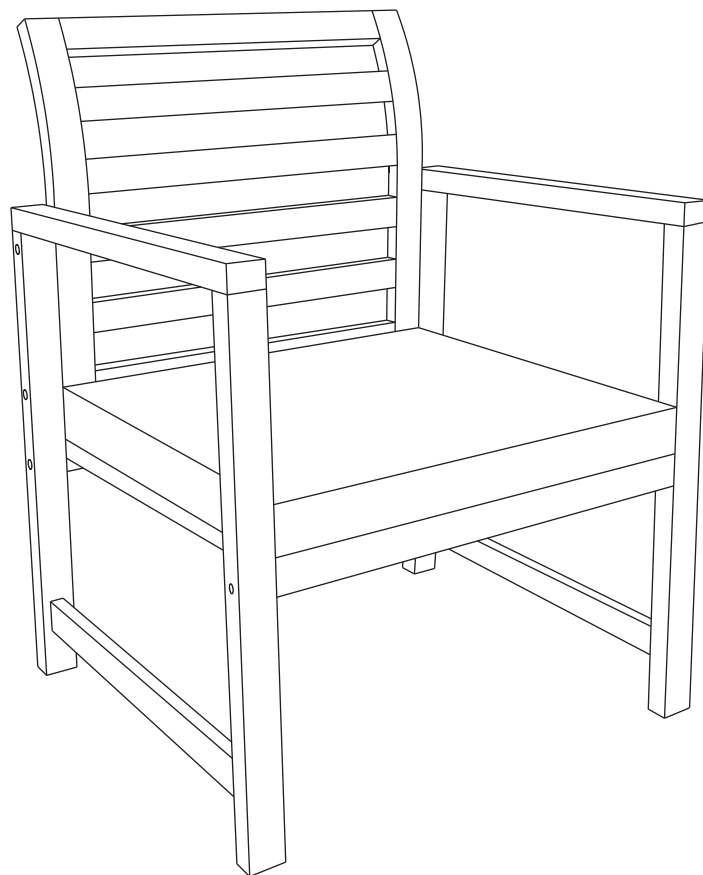


Assembly Instructions




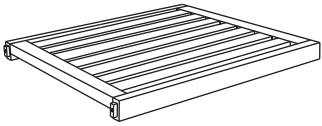
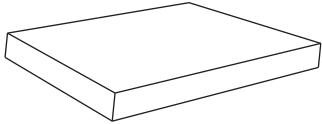
ARMCHAIR

CAUTION: You must read this before you proceed.

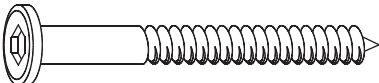




CAUTION : This ArmChair is NOT a TOY. Keep your child / children at bay in the process of assembly.
For turning / flipping the armchair and to prevent damage to the armchair, 02 persons may be needed to execute this action.

Parts List

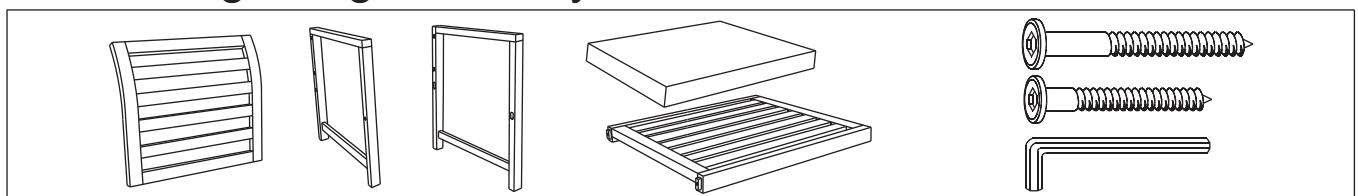
No.	Picture	Description	Qty
A		Backrest Panel	1
B		Left Arm Panel	1
C		Right Arm Panel	1
D		Seat Panel	1
E		Seat Cushion	1

Hardware

No.	Picture	Description	Qty
F		Long Screw (M8x90mm)	5
G		Short Screw (M6x80mm)	5
H		Allen Key	1

Assembly Preparation

Before Beginning Assembly:



Read instructions, cover to cover.



Have 2 adults on hand for assembly.



Do not assemble on flooring or carpet.



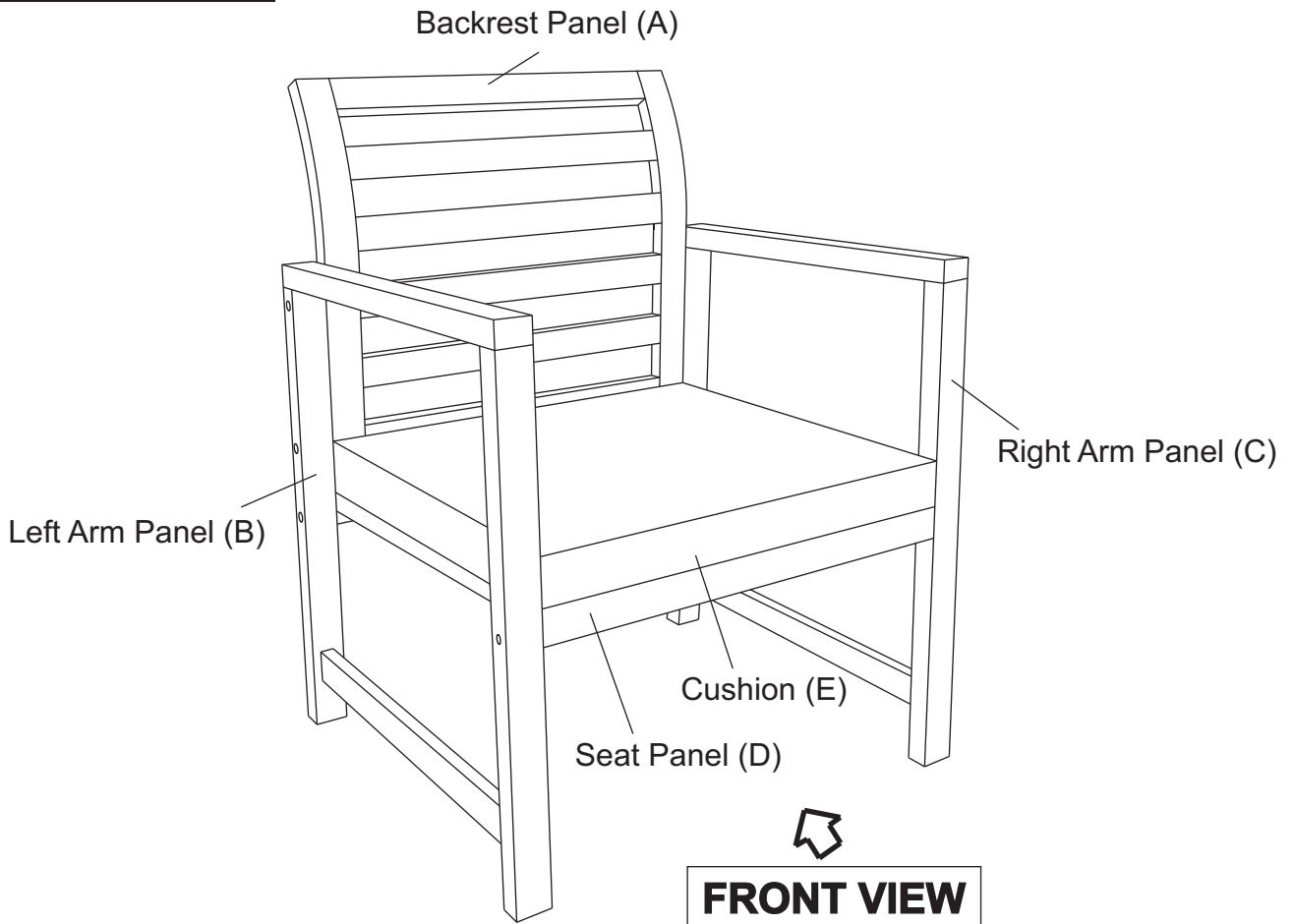
Assemble on a clean non-marring surface (packing foam).



Save all packaging until finished.

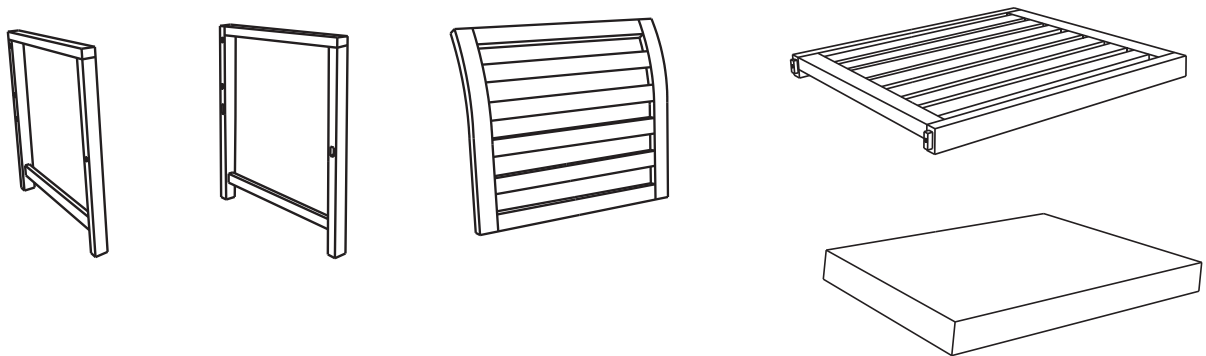
Assembly Steps

OVERVIEW



This Armchair has multiple parts and may require up to some 15 minutes to assemble. To give you an overview of the Armchair parts, the above picture is to help you put the various parts into perspective. Please read through the instructions here below to familiarise the parts and steps before assembly.

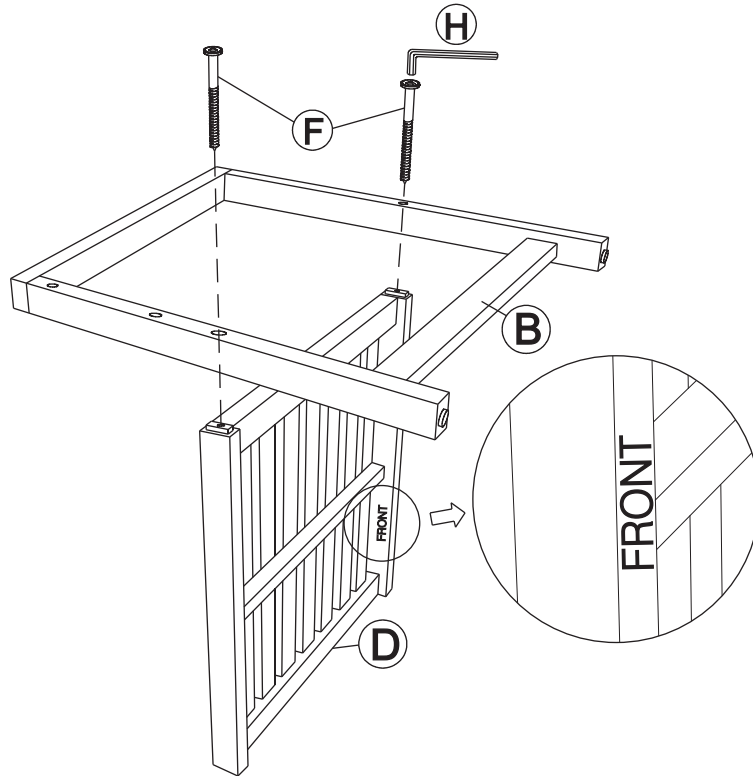
Step 1



Unpack and place all parts on a clean non marring flat surface .

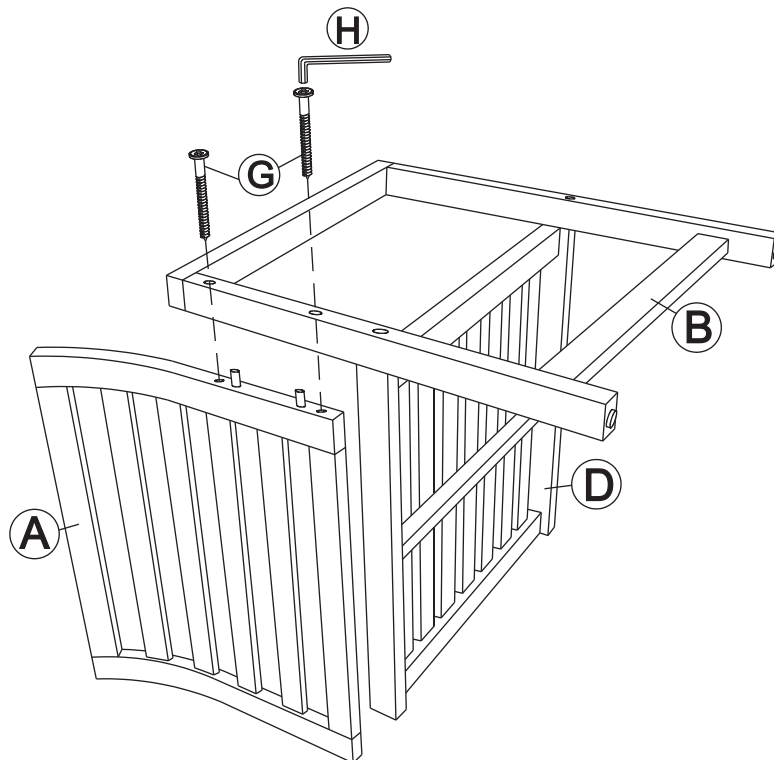
Assembly Steps

Step 2



Position Seat Panel (D) and Left Arm Panel (B) as shown in picture above.
Then affix Left Arm Panel (B) with Seat Panel (D) by using Long Screw (F) and Allen Key (H)
LOOSELY TIGHTEN THE SCREWS, up to 80%.
CAUTION: Be sure to position seat panel correctly, facing as indicated by label.

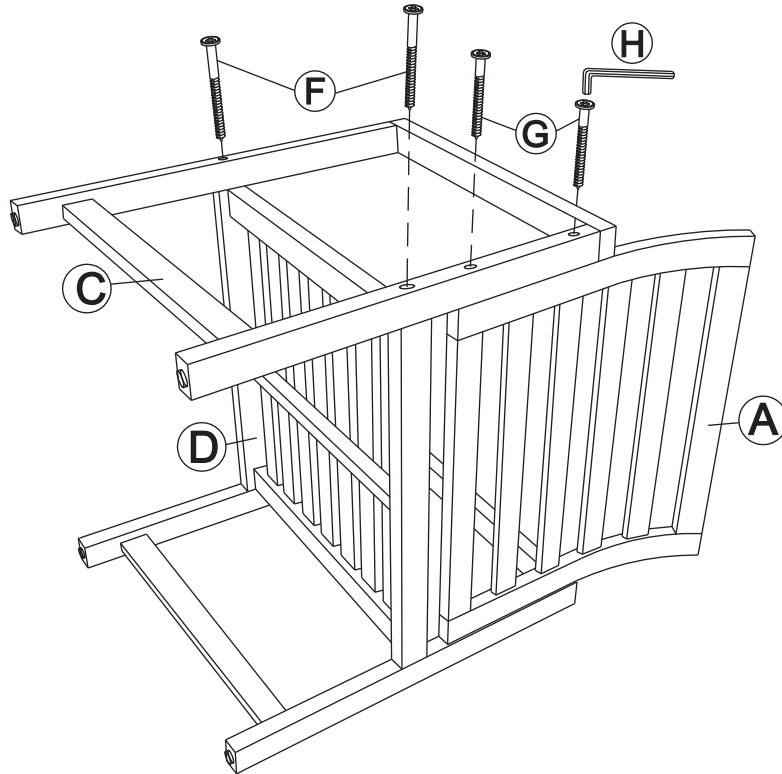
Step 3



Then continue position Backrest (A) as shown in picture above.
Align the wooden dowels into the positions in the arms.
Then, affix Left Arm Panel (B) with Backrest (A) by using Short Screw (G) and Allen Key (H)
LOOSELY TIGHTEN THE SCREWS, up to 80%.

Assembly Steps

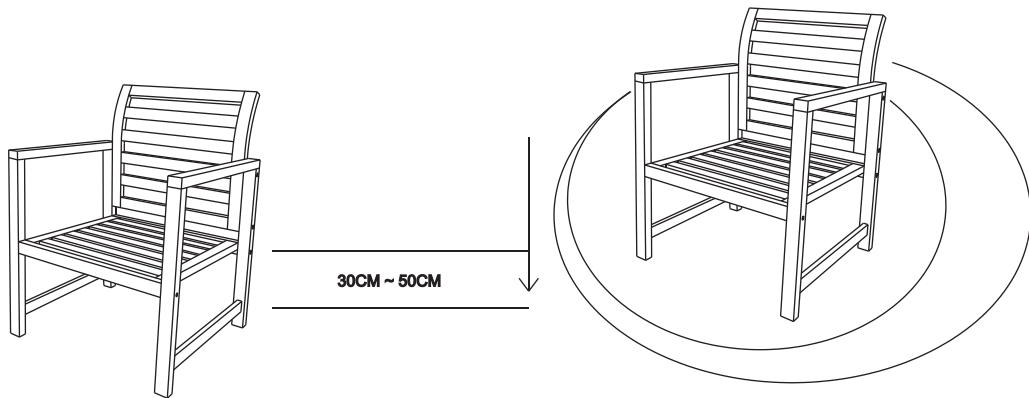
Step 4



With the help from your partner, turn the Chair to rest on Left Arm (B) so that Right Arm (C) is now facing skywards.

Repeat the same process by affixing screws (F), (G) to designated points
LOOSELY TIGHTEN THE SCREWS, up to 80%.

Step 5



Turn the Armchair right side up

Place the Armchair on a **LEVEL SURFACE** to see if it wobbles.

If it wobbles, lift the Armchair to some 30cm to 50cm height from the ground.

Keep your feet and toes well away from the drop zone.

Drop the Armchair freely and vertically with the four legs, hitting the ground, at the same time.

This Drop Test will help to ensure that all the screws and gaps to all reach full alignment status.

Test again for evenness on a **LEVEL SURFACE**.

If no wobbles found, proceed to tighten all the screws.

CAUTION: When tightening these screws, tighten sequentially.

DO NOT tighten any screw fully and then towards the next one.

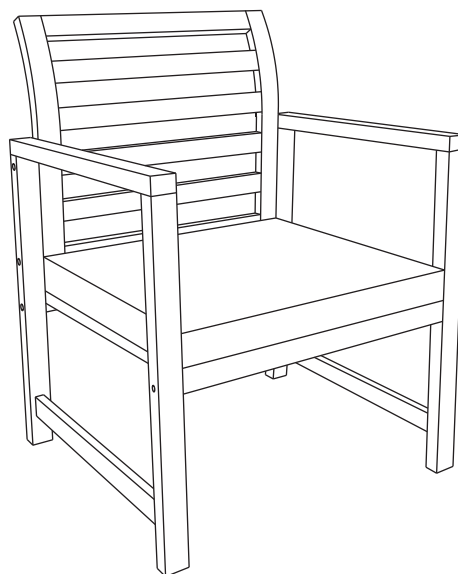
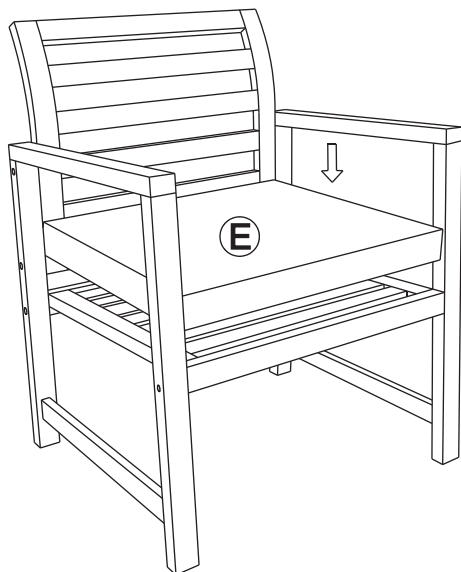
This would cause the frame to warp.

If there is still wobbles, loosen the screws and execute this same drop tests.

WARNING ! IF CHAIR IS NOT STABLE , IT COULD LEAD TO DAMAGING THE PRODUCT.




Assembly Steps



Step 6



Inspect it and make sure all parts are adequately connected.
In a sequential manner, ensure all screws are fully locked into position and secured.
Place Seat Cushion (C) in to the seat of the Armchair.
The Armchair is ready to be used.

Care & Maintenance

-   Do not put hot items directly on furniture surface.
-   Do not clean furniture with harsh cleansers or polish.
-   To obtain the longest lifespan of your outdoor products, minimizing exposure to direct sunlight is recommended.
-   Children should not climb or jump on the furniture.
-   Do not write on furniture without a padded barrier to protect the surface.
-   To obtain the longest lifespan of your outdoor products, avoid extended and lengthy exposure to rain, snow, and direct sunshine. Whenever possible cover the product and /or place under patio or awnings.
-   Not for commercial use. For residential use only.
-   Stains may be removed with mild soap solution and damp cloth.

-
-   Dust and pick-up spills using a clean, non-colored, lint-free cloth.