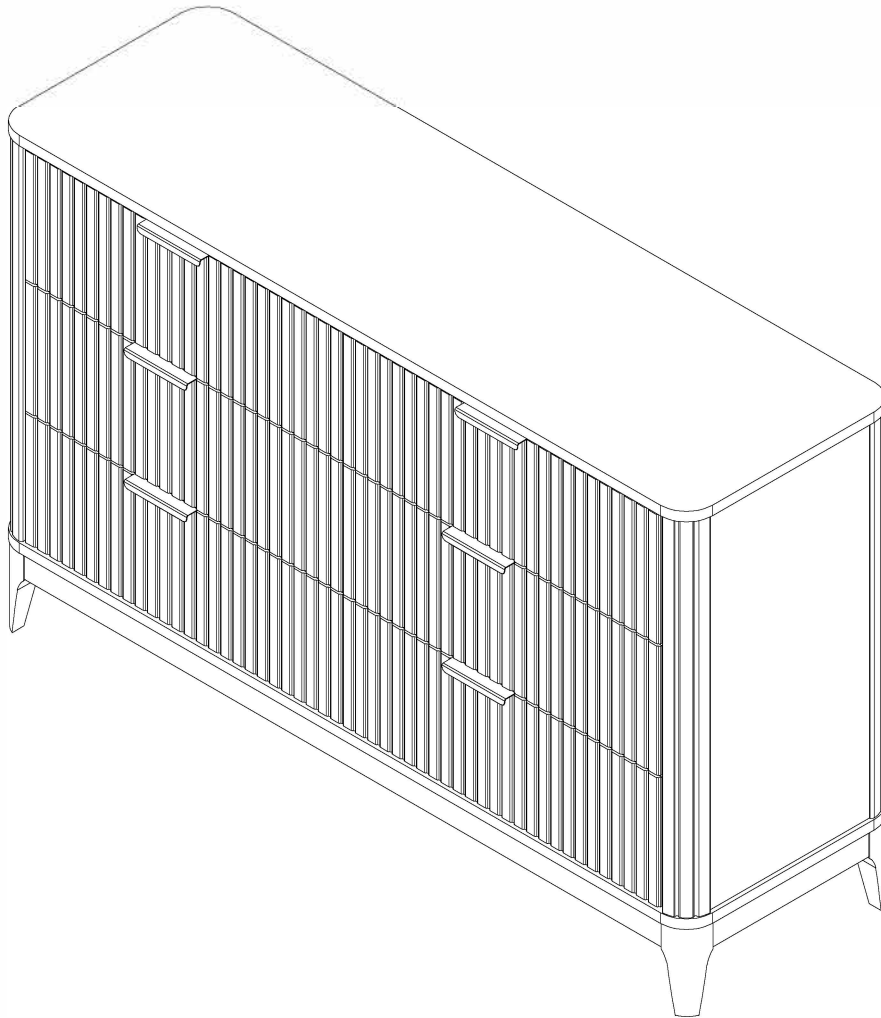
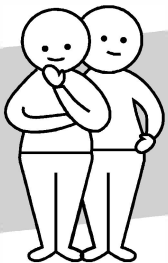


Installation & Assembly 1.0



Two People



Required

Dresser 6 Drawer

Secure it!

Reduce the risk of furniture tip-over accidents



WARNING: ENSURE THE L-BRACKET IS ATTACHED TO AVOID SERIOUS INJURY OR DEATH.

To avoid any serious or fatal injury, wall bracket has been provided with this product to prevent toppling. We strongly recommend that this product is permanently fixed to the wall or other suitable surface. Fixing devices are not included since different surface materials require different attachments. Please seek professional advice if you are in doubt of what fixing device to use.

Weight Capacity : 10kgs / Drawer

To reduce the risk of furniture tipover:

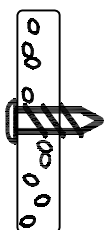


- Do not allow children to stand, climb or hang on furniture. It may topple and cause serious injury or death.
- Do not place toys or other child appealing items on top of this furniture, and place heaviest items towards the bottom of the furniture.



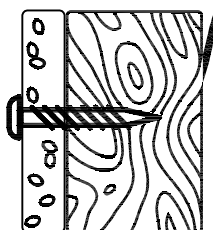
- Do not open more than one drawer at the time.
- Anchoring this product to a wall or other suitable surface is recommended. Check anchors regularly.
- Always anchor your TV for safety.

Wall attachment guide



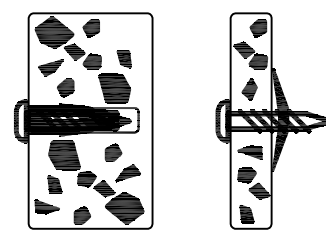
For plasterboard
(without available woodstud)

Securing method:
Self drilling plasterboard anchor.



For plasterboard
(without available wood stud)

Securing method:
Screw inserted directly into stud.



For masonry wall

Securing method:
Solid wall: Plug with screw
Hollow wall: Spring toggle

Please seek professional advice if you are in doubt of what fixing device to use.

Looks like you've found your Furniture!

We're thrilled you've chosen us to help create
a home you'll love

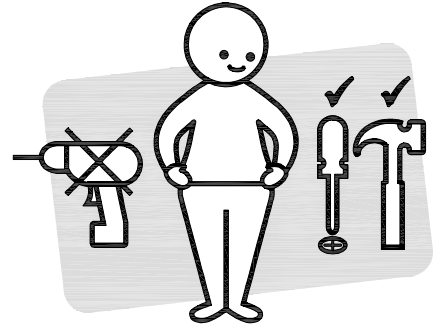
Love it? Share it!

Fantastic buy! Share how it looks at home for your
chance to win a \$250 Furniture Gift Card!

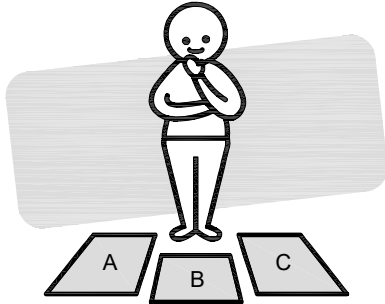
Assembly Checklist



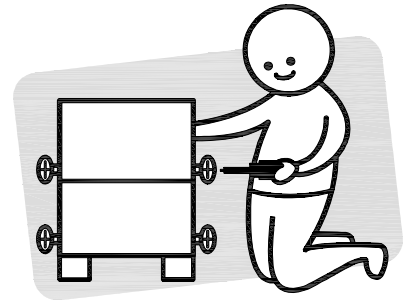
Read through the instructions carefully before you begin.



Make sure you have all the required tools. Never use power tools unless instructed.



Identify and lay out all of the components before you begin assembly.



Unless instructed, do not fully tighten screws until the item is fully assembled.

Useful Information

- ! Never use power tools unless specifically instructed. They can damage your components or hardware if used incorrectly.
- ! The most common mistakes made during assembly are using the wrong hardware or getting components back to front.
- ! Always use a soft surface (such as carpet or cardboard) when assembling your product to avoid scratching or damaging the surface of the product.
- ! Bulky items such as wardrobes and bunk beds should be assembled in the room they will be used in as they may not fit through a door once assembled.
- ! Never use any glue until you are certain that the parts belong together.
- ! Periodically check and re-tighten all fasteners. Check the product care label or website for product care instructions.
- ! If you are having any difficulties assembling your product, missing any hardware or components please visit our website Help Centre for further assistance. Please see page 2 for any safety requirements or weight restrictions.

What You Need

to assemble the product

Parts List Carton 1:

- Left Side Panel (P1)
- Right Side Panel (P2)
- Top Panel (P3)
- Bottom Panel (P4)
- 2 x Top Rail Panel (P6)
- 4 x Leg (P7)
- 2 x Rail Panel (P8)
- 2 x Side Rail Panel (P9)
- 4 x Back Panel (P17)
- Divider Panel (P5)
- 3 x Drawer Front Left Panel (P10)
- 3 x Drawer Front Right Panel (P11)
- 6 x Drawer Left Side Panel (P12)
- 6 x Drawer Right Side Panel (P13)
- 6 x Drawer Back Panel (P14)
- 6 x Drawer Support Panel (P15)
- 6 x Drawer Bottom Panel (P16)

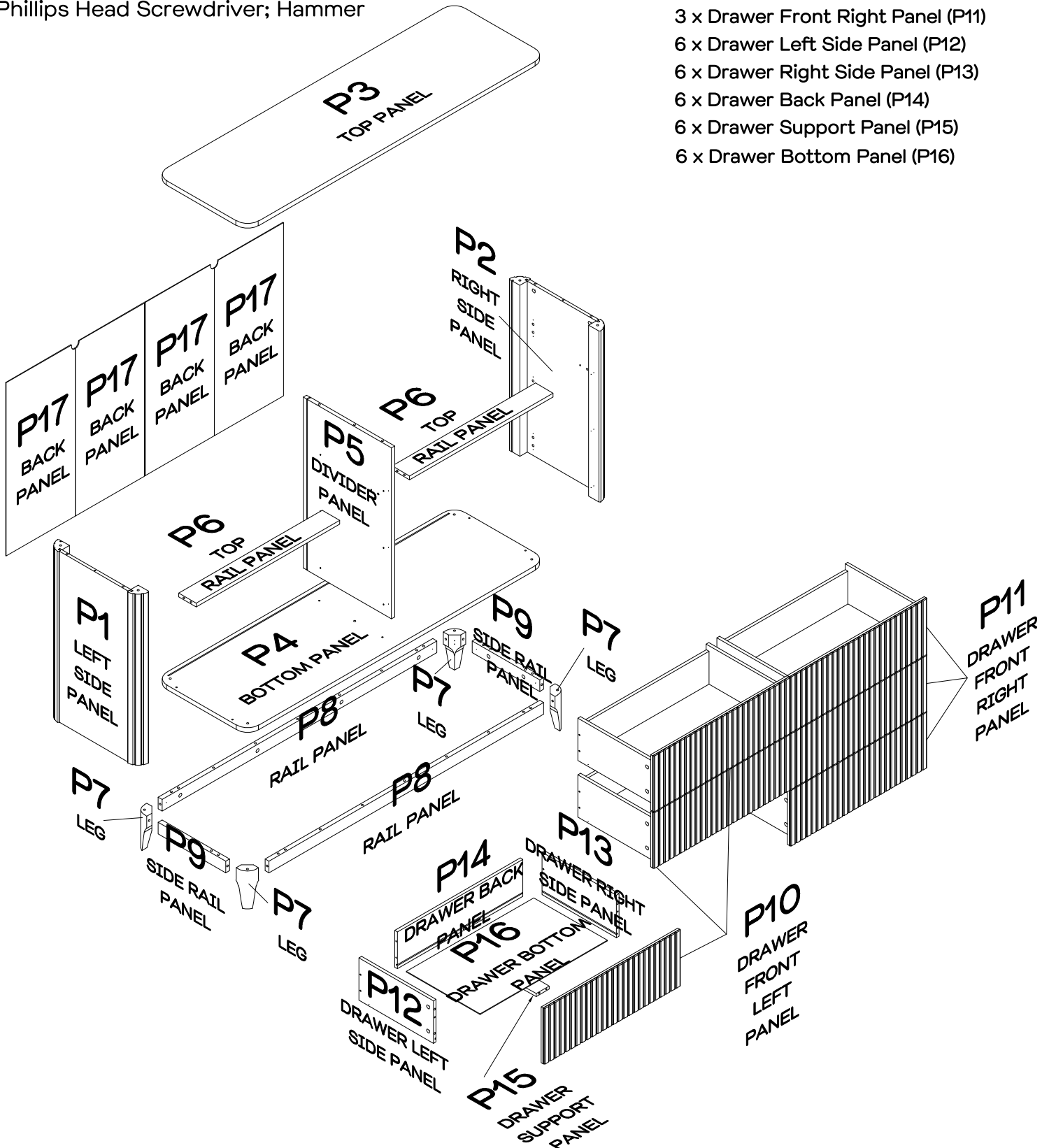


DO NOT USE



Other Tools You Need

Phillips Head Screwdriver; Hammer



Hardware Pack



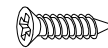
12 × Runner
Track Screws
(H1)



36 × Small
Screws (H2)



34 × Medium
Screws (H3)



12 × PVC
Screws
(H4)



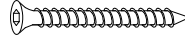
8 × Bracket
Screws
(H5)



12 × Bolts
(H6)



2 × Leg
Screws
(H7)



30 × Large
Screws
(H8)



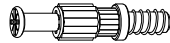
4 × Washers
(H9)



28 × Small
Dowels
(H10)



40 × Medium
Dowels
(H11)



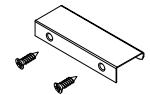
58 × Cam Bolts
(H12)



18 × Large
Cam Nuts
(H13)



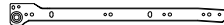
40 × Small
Cam Nuts
(H14)



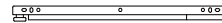
6 × Handle
Screws (H15)



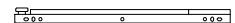
6 × CR Runner
Tracks
(H16)



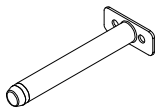
6 × CL Runner
Tracks
(H17)



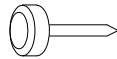
6 × DR
Runners
(H18)



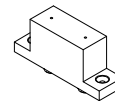
6 × DL
Runners
(H19)



1 × Adjustable
Leg (H20)



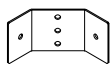
4 × Foot
Glides
(H21)



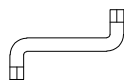
6 × PVC
Block
(H22)



2 × Wall
Bracket
(H23)



4 × Bracket 5
Holes
(H24)



1 × Allen Key
(H25)

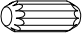
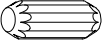


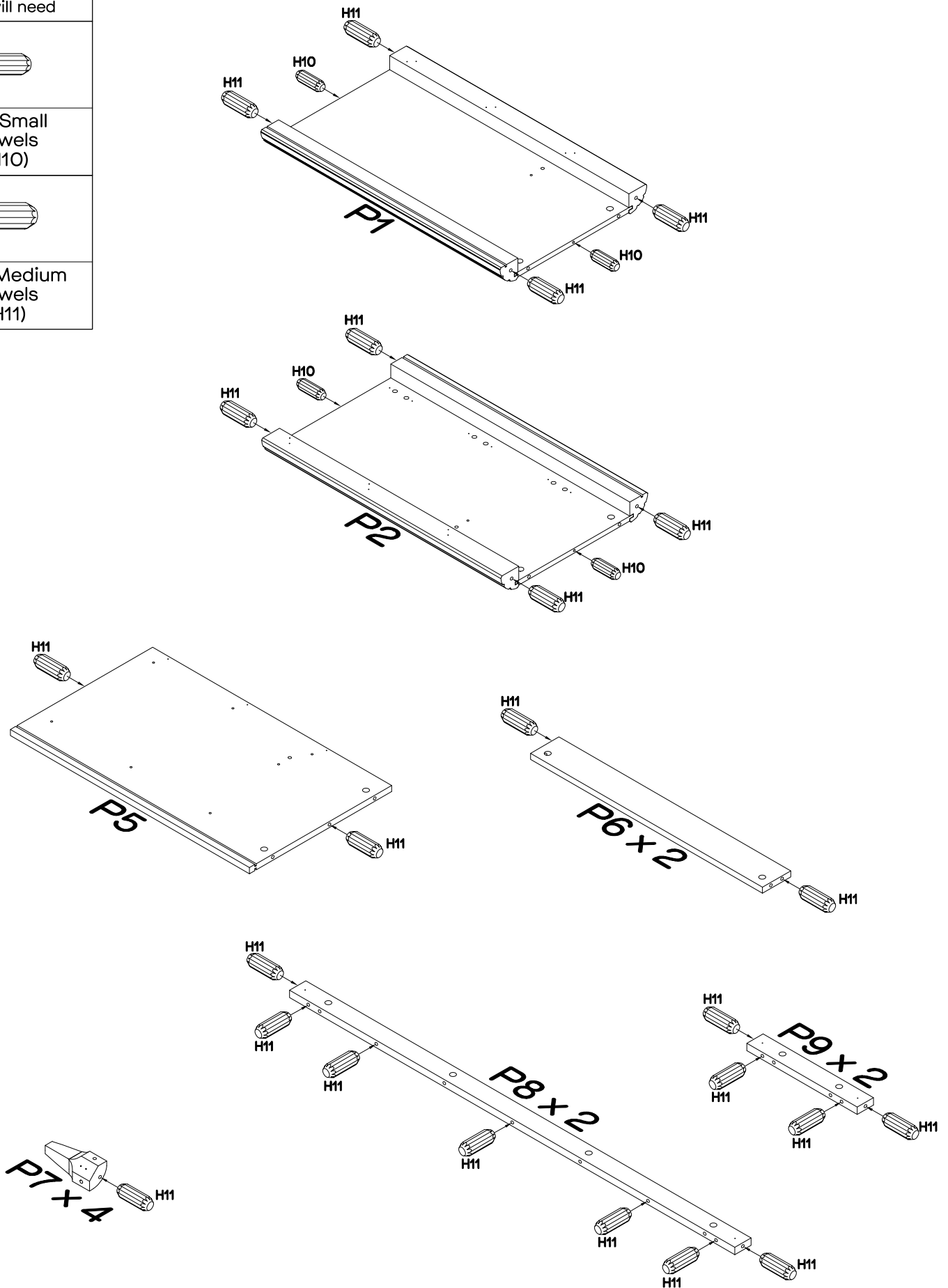
12 × Wedges
(H26)



2 × Tipping
Restraint Kit
(H27)

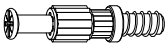
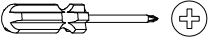
Step 1

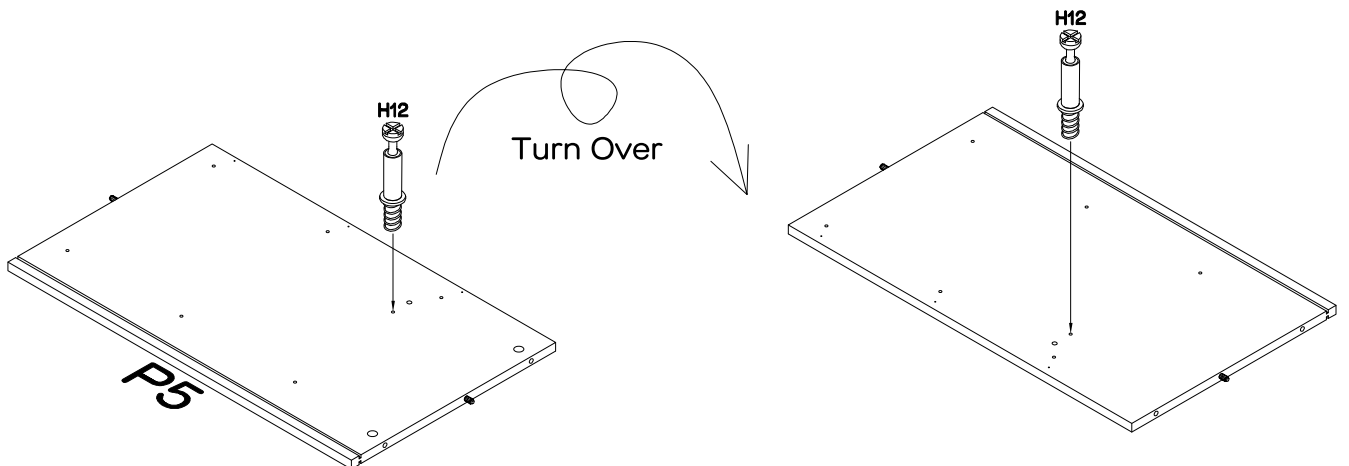
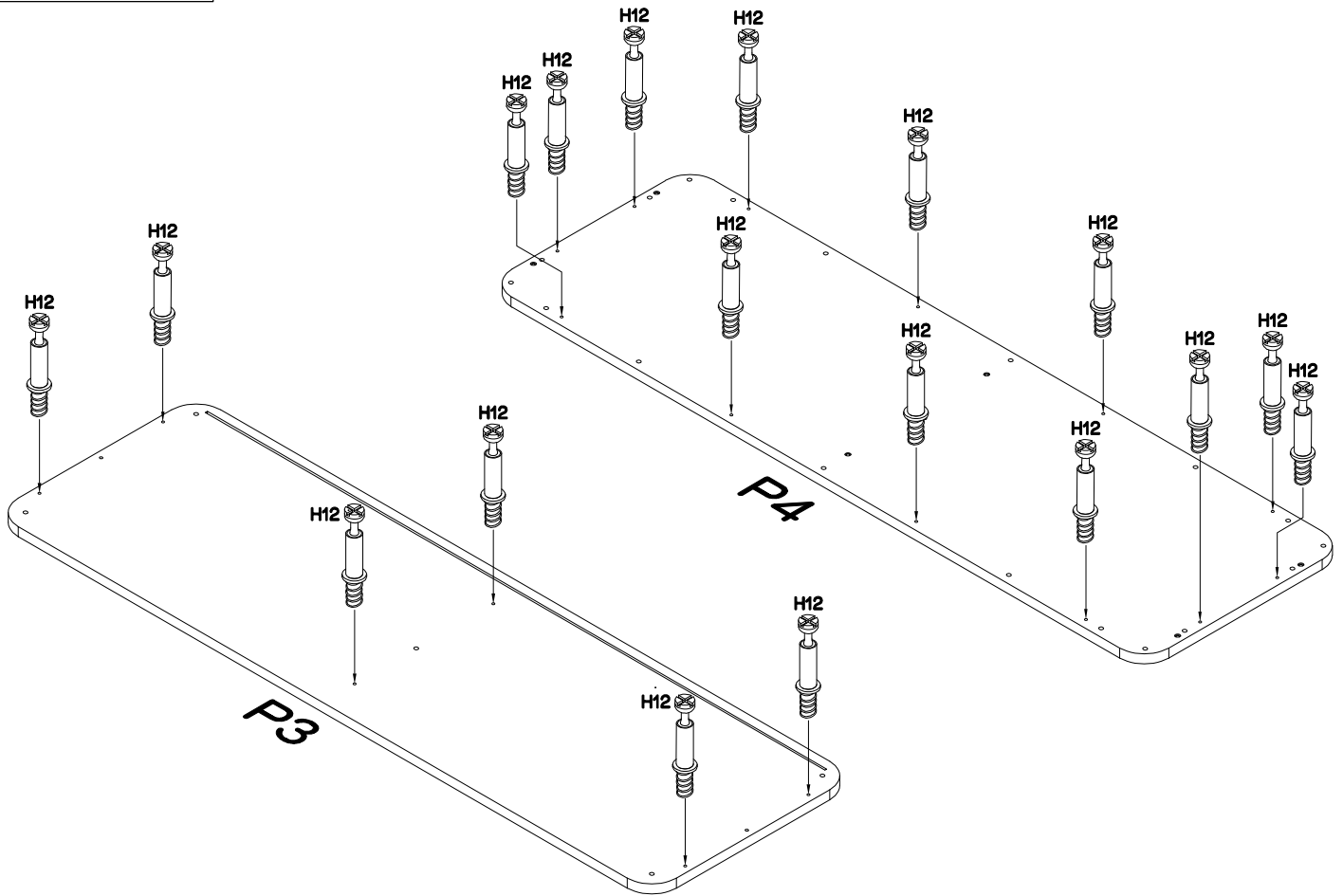
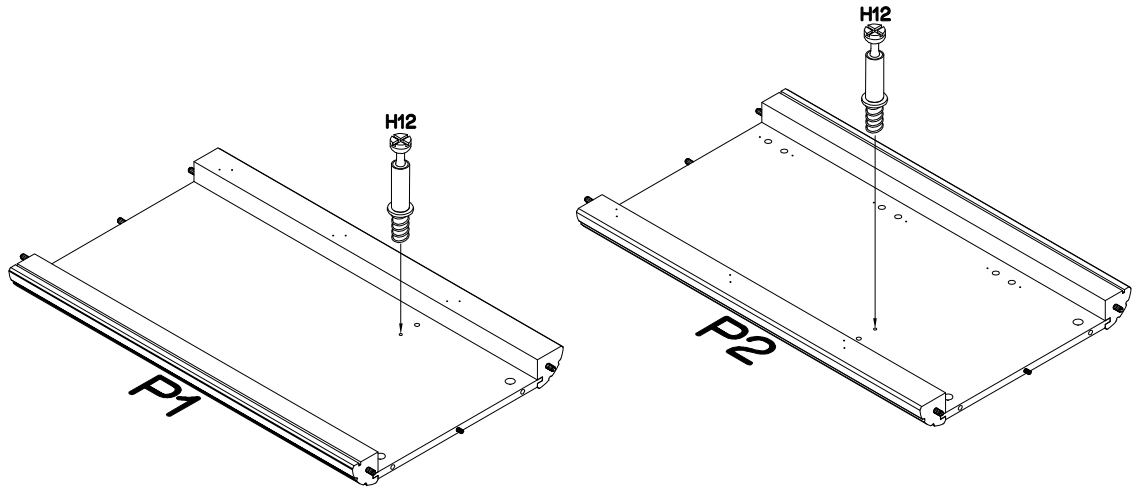
You will need

4 × Small Dowels (H10)

40 × Medium Dowels (H11)



Insert 4 x small dowels (H10) into left side panel (P1) and right side panel (P2). Insert 40 x medium dowels (H11) into left side panel (P1), right side panel (P2), divider panel (P5), 2 x top rail panel (P6), 4 x leg (P7), 2 x rail panel (P8) and 2 x side rail panel (P9).

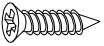
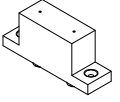
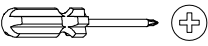
Step 2

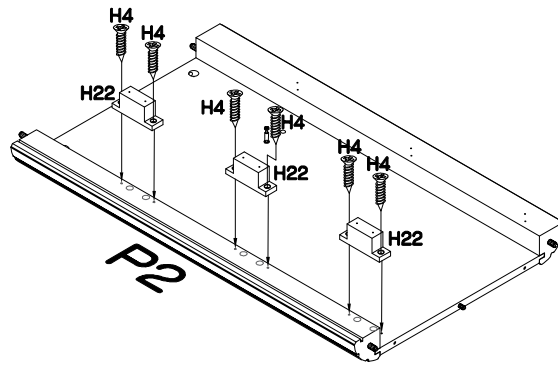
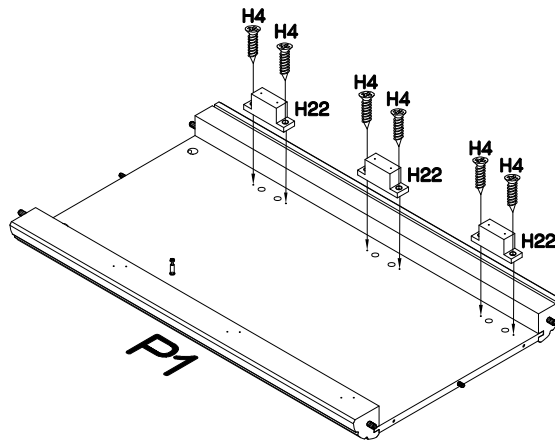
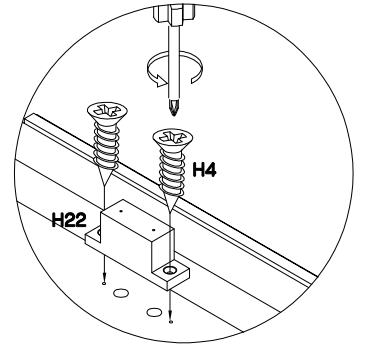
You will need

22 × Cam Bolts (H12)

Phillips Head Screwdriver



Secure 22 x cam bolts (H12) into the left side panel (P1), right side panel (P2), top panel (P3), bottom panel (P4) and divider panel (P5) tightening with a phillips head screwdriver.



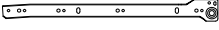
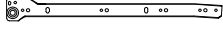
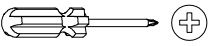
Step 3

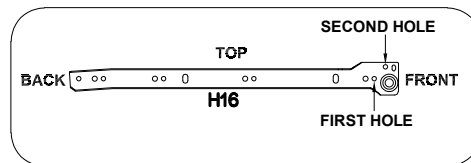
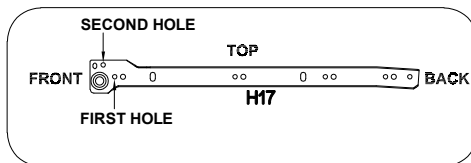
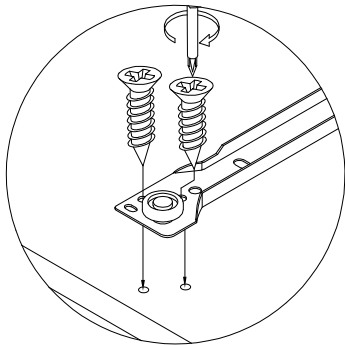
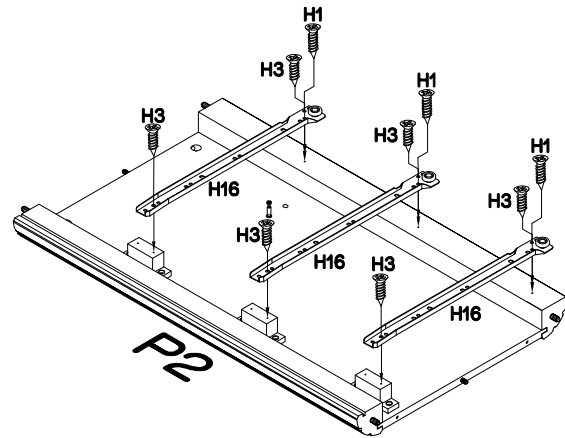
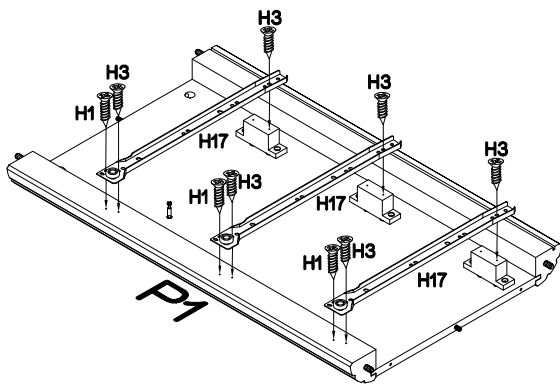
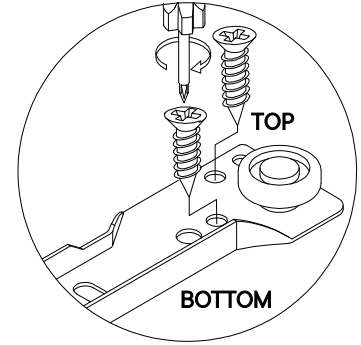
You will need

12 x PVC screws (H4)

6 x PVC Block (H22)

Phillips Head Screwdriver



Secure 6 x PVC block (H22) to the left side panel (P1) and right side panel (P2) with 12 x PVC screws (H4) tightening with a phillips head screwdriver.

Step 4



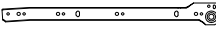
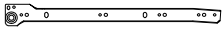
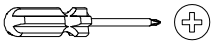
You will need	
	
6 × Runner Track Screws (H1)	12 × Medium Screws (H3)
	
3 × CR Runner Tracks (H16)	3 × CL Runner Tracks (H17)
	
Phillips Head Screwdriver	

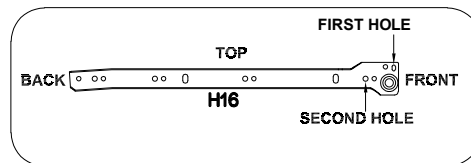
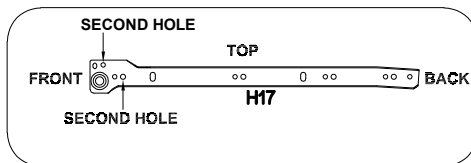
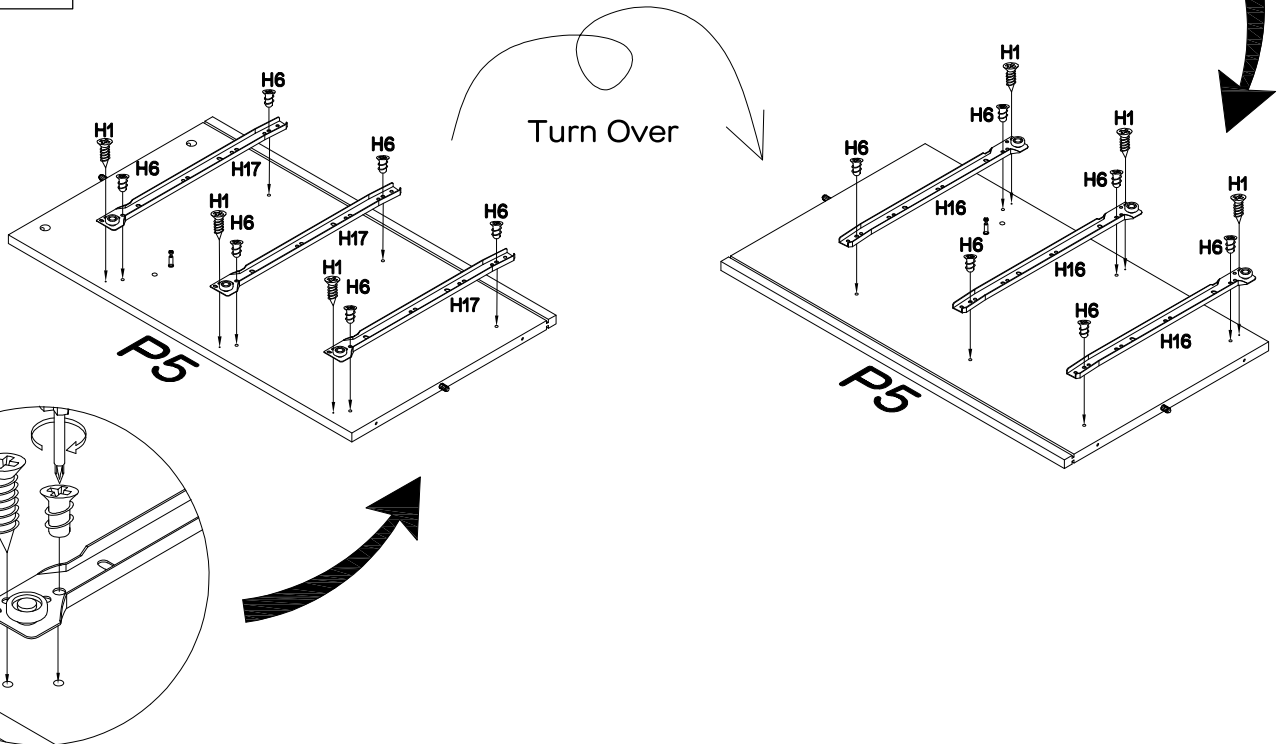
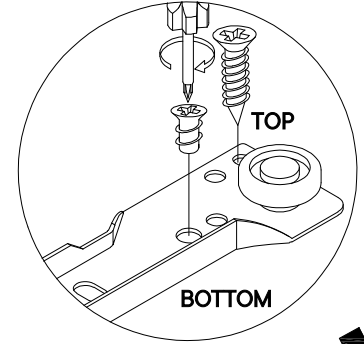


PLEASE ENSURE TO FIX THE SCREWS AS PER POINTED HOLES INSTRUCTION TO AVOID DISTORTION OF OVERALL LOOK OF PRODUCTS.

Attach 3 x CL runner tracks (H17) to left side panel (P1), 3 x CR runner tracks (H16) to right side panel (P2), using 6 x runner track screws (H1) and using 12 x medium screws (H3) tightening with the phillips head screwdriver.

Step 5

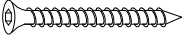
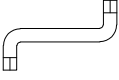
You will need	
	
6 × Runner Track Screws (H1)	12 × Bolts (H6)
	
3 × CR Runner Tracks (H16)	3 × CL Runner Tracks (H17)
	
Phillips Head Screwdriver	

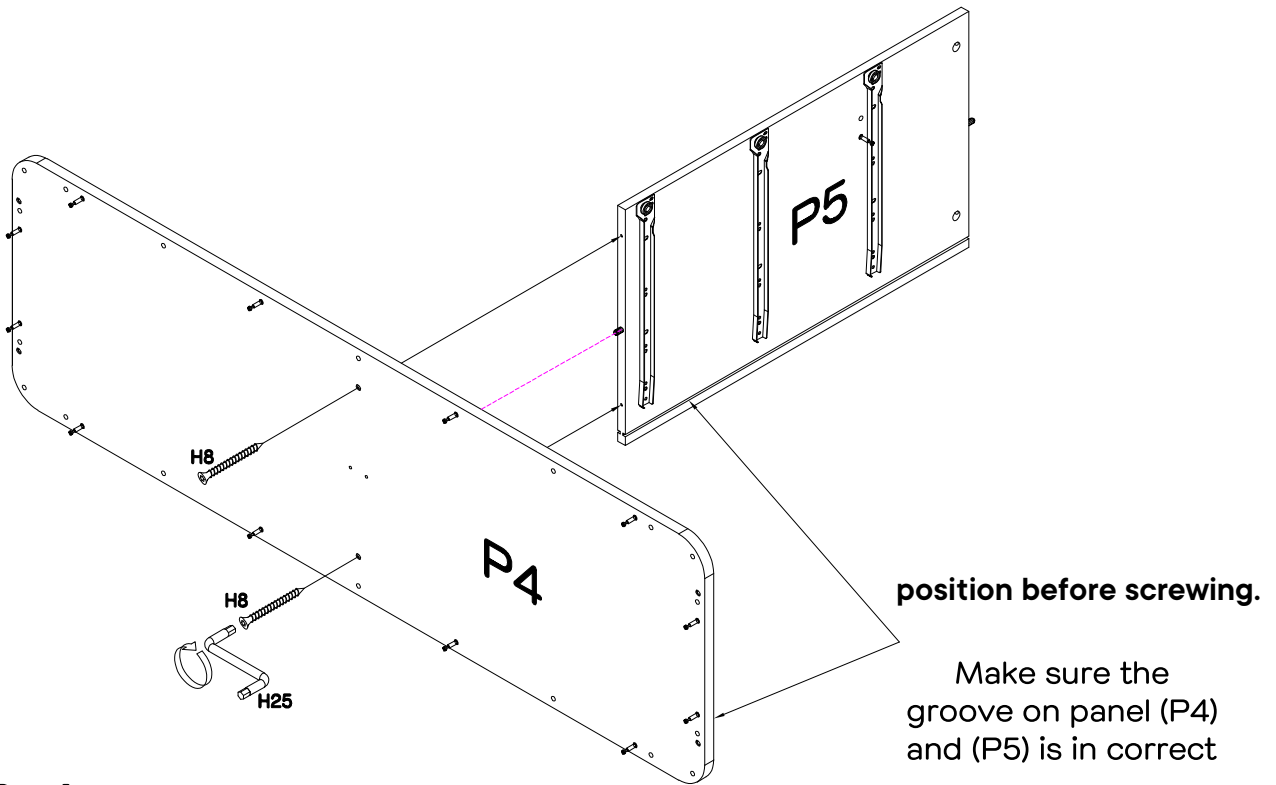


PLEASE ENSURE TO FIX THE SCREWS AS PER POINTED HOLES INSTRUCTION TO AVOID DISTORTION OF OVERALL LOOK OF PRODUCTS.

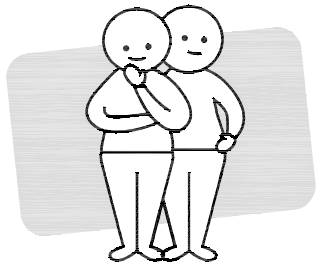
Attach 3 x CL runner tracks (H17) and 3 x CR runner tracks (H16) to divider panel (P5) using 6 x runner track screws (H1) and 12 x bolts (H6), tightening with the phillips head screwdriver.

Step 6

You will need

2 × Large Screws (H8)

1 × Allen Key (H25)



Two People

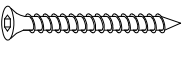
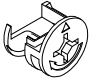
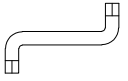
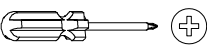


Required

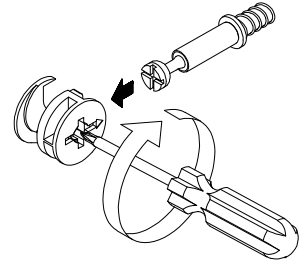
Secure divider panel (P5) to the bottom panel (P4) with 2 × large screws (H8) tightening with the allen key (H25).

Step 7

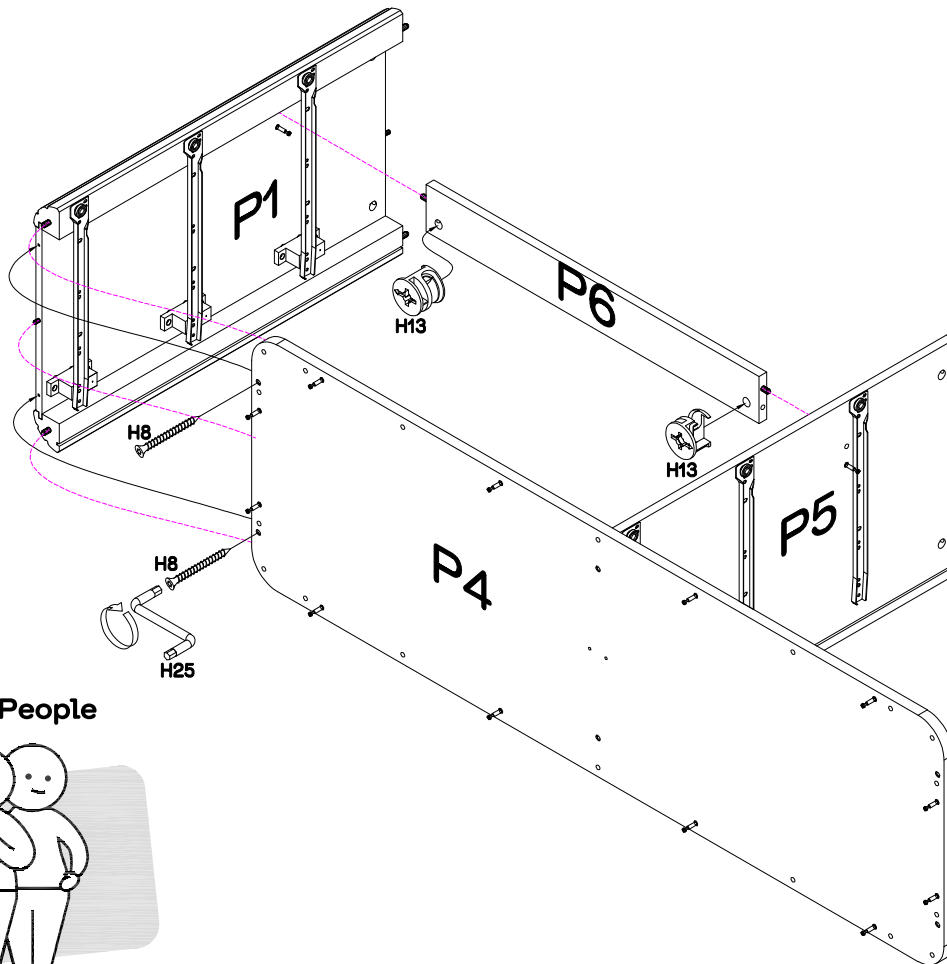
You will need

	
2 × Large Screws (H8)	2 × Large Cam Nuts (H13)
	
1 × Allen Key (H25)	Phillips Head Screwdriver

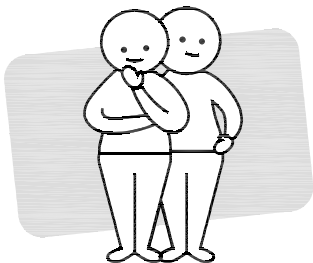
This is how a cam nut works...



The head of the cam bolt goes into the open mouth of the cam nut. You then turn the cam nut so it tightens over the bolt.



Two People

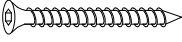

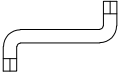
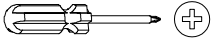


Required

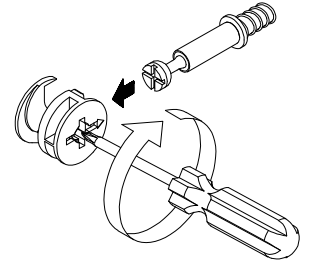
Insert 2 × large cam nuts (H13) into top rail panel (P6).
Rotate the cam nuts so the arrows point towards the incoming cam bolts.
Attach the top rail panel (P6) to divider panel (P5) and left side panel (P1) secure by tightening large cam nuts (H13) using a phillips head screwdriver.
Secure left side panel (P1) to the bottom panel (P4) with 2 × large screw (H8), tightening with the allen key (H25).

Step 8

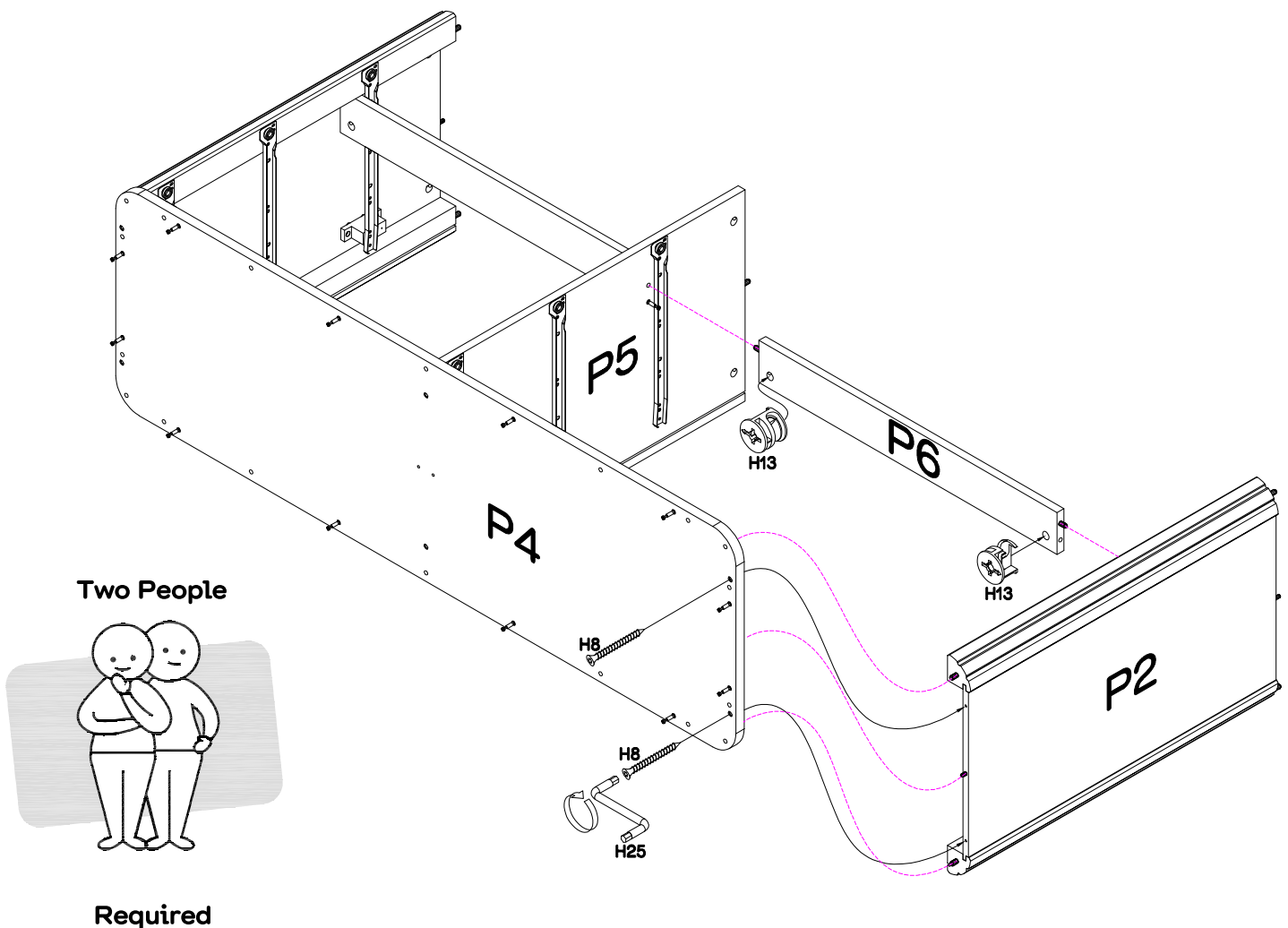
You will need

	
2 × Large Screws (H8)	2 × Large Cam Nuts (H13)
	
1 × Allen Key (H25)	Phillips Head Screwdriver

This is how a cam nut works...

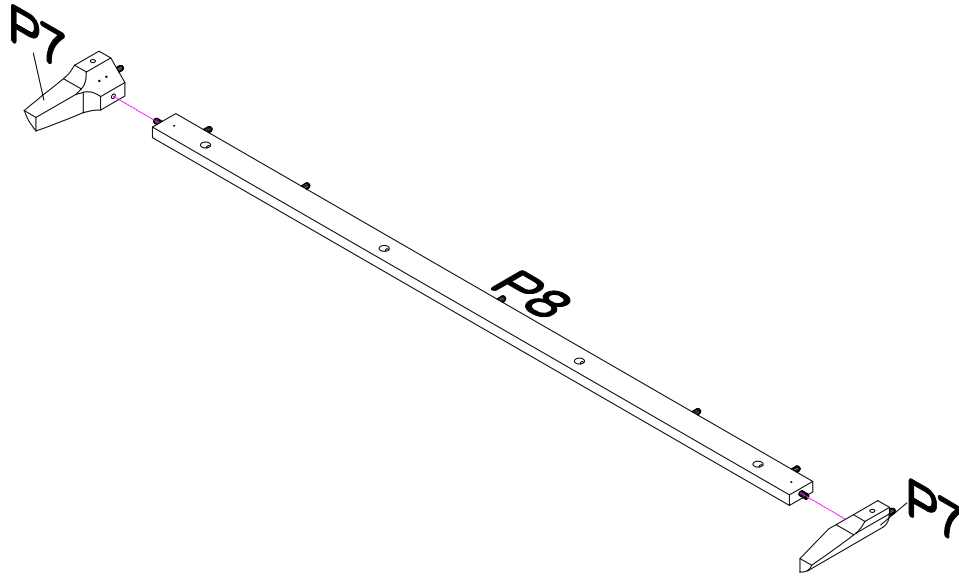


The head of the cam bolt goes into the open mouth of the cam nut. You then turn the cam nut so it tightens over the bolt.



Insert 2 × large cam nuts (H13) into top rail panel (P6). Rotate the cam nuts so the arrows point towards the incoming cam bolts. Attach the top rail panel (P6) to divider panel (P5) and right side panel (P2) secure by tightening large cam nuts (H13) using a phillips head screwdriver. Secure right side panel (P2) to the bottom panel (P4) with 2 × large screw (H8), tightening with the allen key (H25).

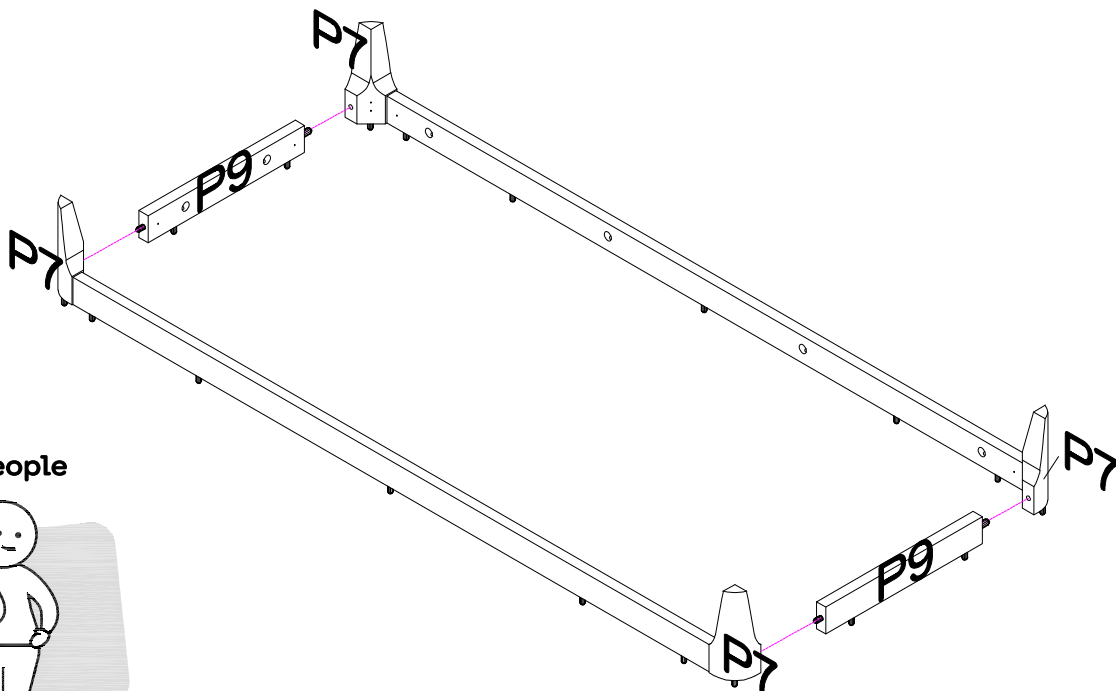
Step 9



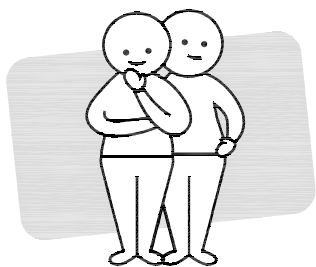
X2

Attach the 4 x leg (P7) to the 2 x rail panel (P8) Repeat this process for the other rail.

Step 10



Two People

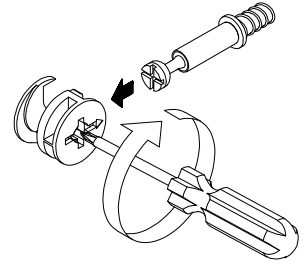


Required

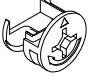
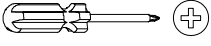
Attach the 4 x leg (P7) to the 2 x rail panel (P9).

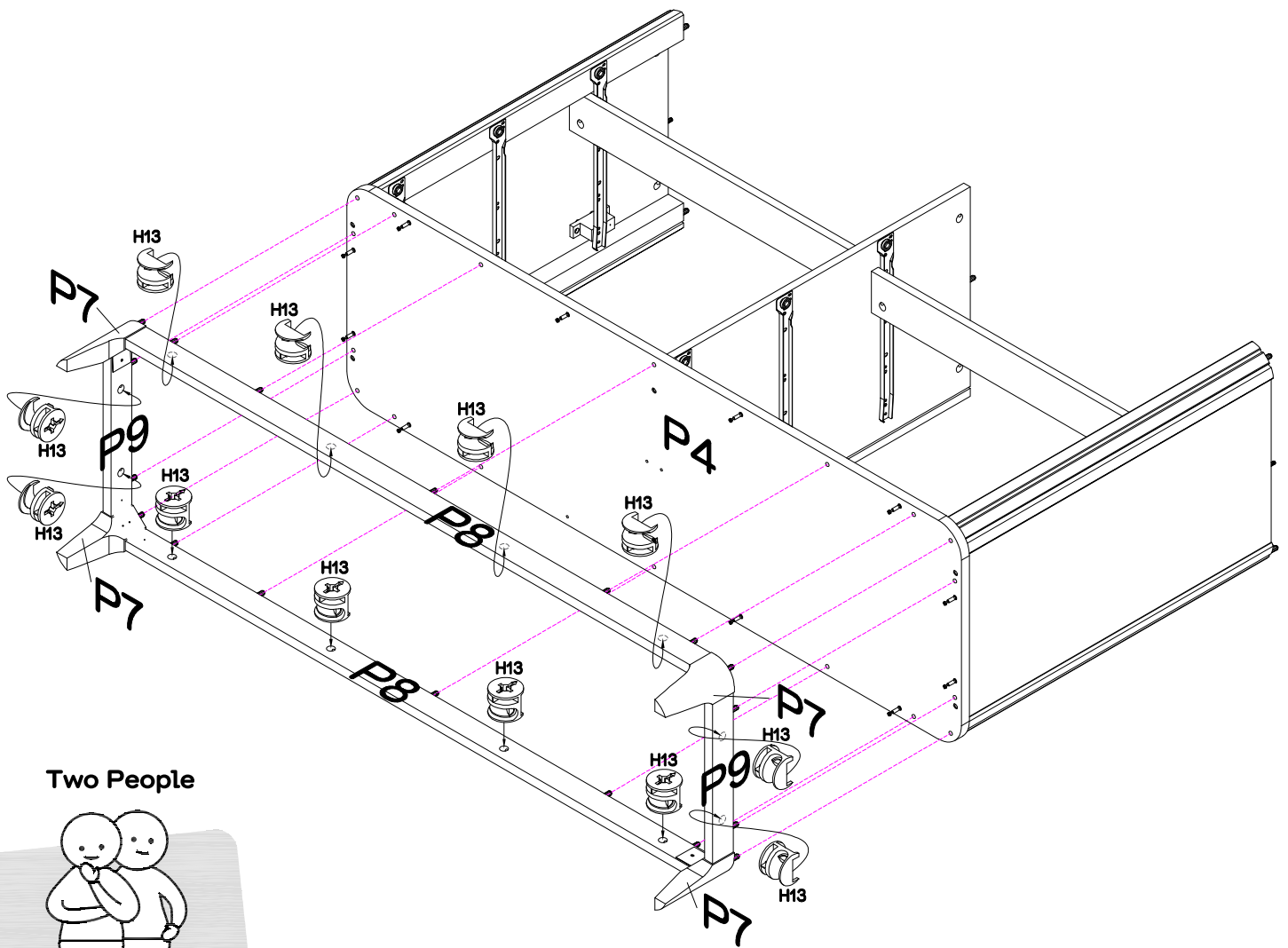
Step 11

This is how a cam nut works...

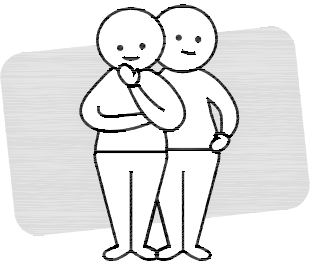


The head of the cam bolt goes into the open mouth of the cam nut. You then turn the cam nut so it tightens over the bolt.

You will need

12 x Large Cam Nuts (H13)

Phillips Head Screwdriver




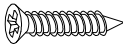

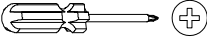
Two People

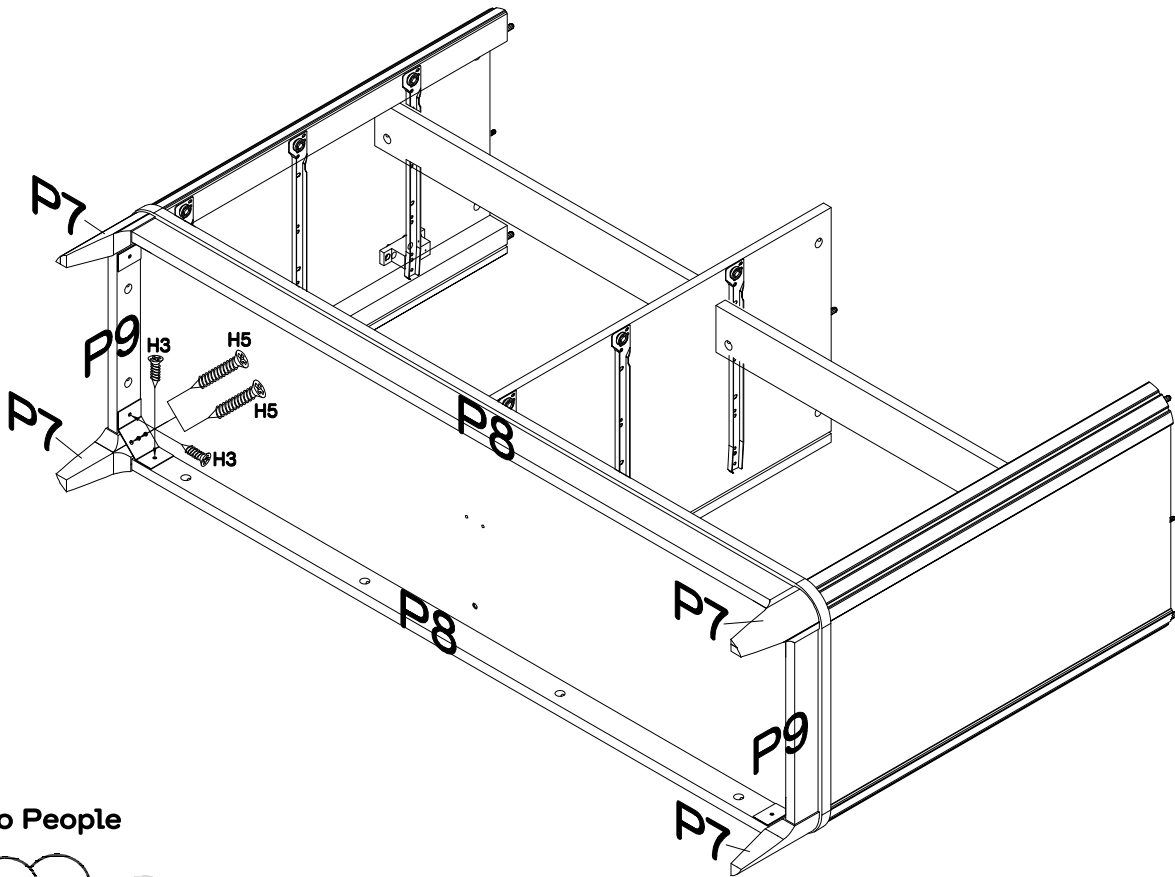
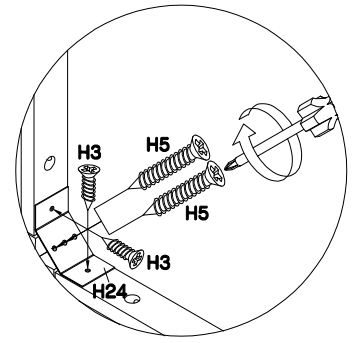


Required

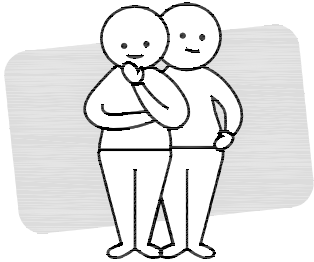
Insert 12 x large cam nuts (H13) into rail panel (P8) and side rail panel (P9). Rotate the cam nuts so the arrow point towards the incoming cam bolts. Attach leg (P7), rail panel (P8) and side rail panel (P9) to the bottom panel (P4), secure by tightening large cam nuts (H13) using a philips head screwdriver.

Step 12

You will need	
	
8 × Medium Screws (H3)	8 × Bracket Screws (H5)
	
4 x Bracket 5 Holes (H24)	Phillips Head Screwdriver



Two People

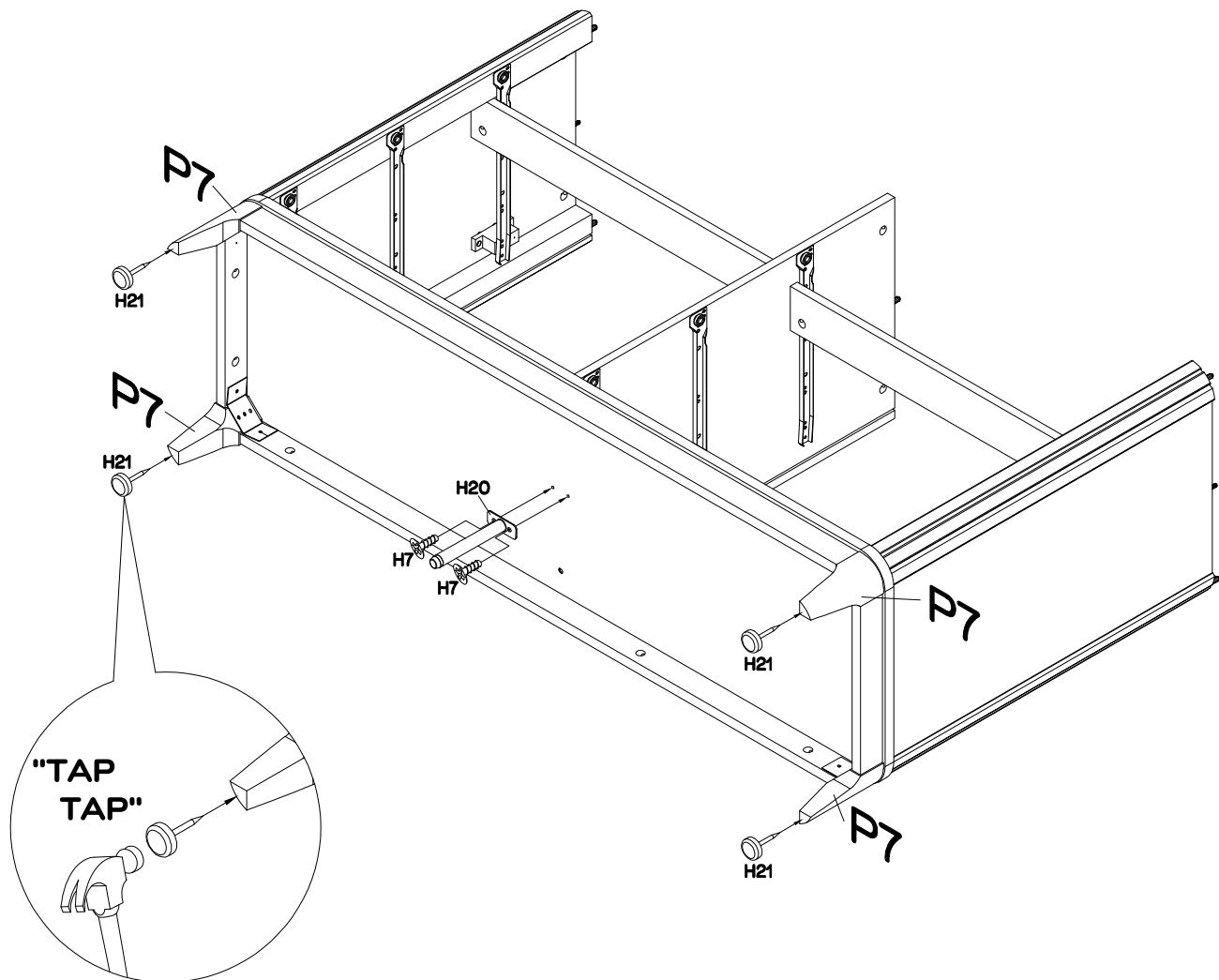


Required

Attach 4 x bracket 5 holes (H24) into the legs (P7), rail panel (P8) and side rail panel (P9) using 8 x medium screws (H3) and 8 x bracket screws (H5), tightening with the phillips head screwdriver.

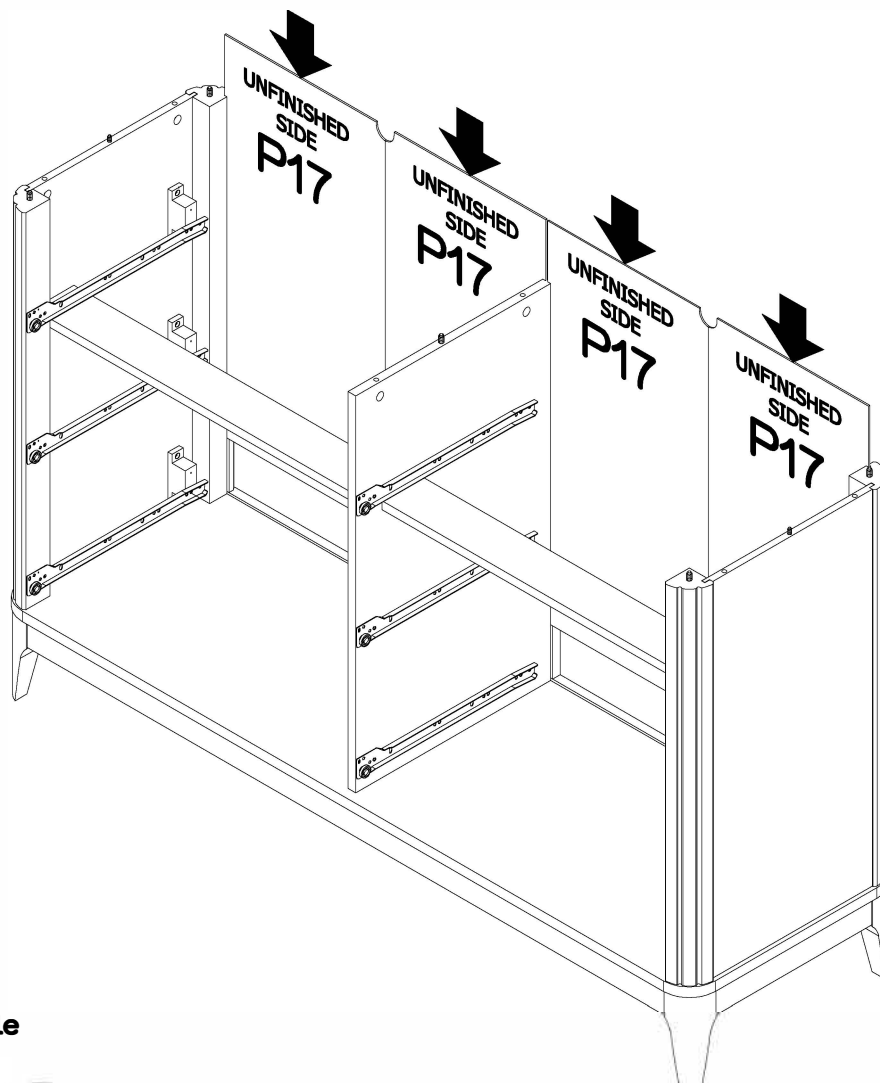
Step 13

You will need	
	
2 × Leg Screws (H7)	1 × Adjustable Leg (H20)
	
4 × Foot Glides (H21)	Phillips Head Screwdriver

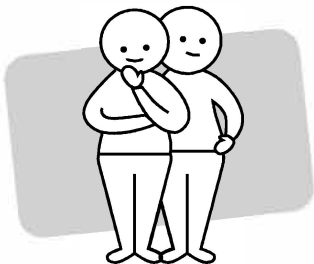


Attach 1 x adjustable leg (H20) into bottom panel (P4) using 2 x leg screws (H7) using a philips head screwdriver. Secure 4 x foot glides (H21) into leg (P7).

Step 14



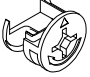

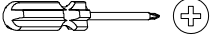
Two People



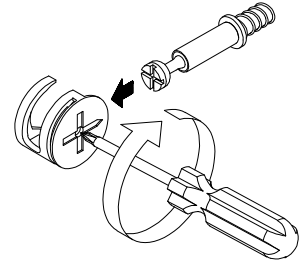
Required

Slide in 4 x back panel (P17) into the grooves on the left side panel (P1), right side panel (P2) and divider panel (P5).

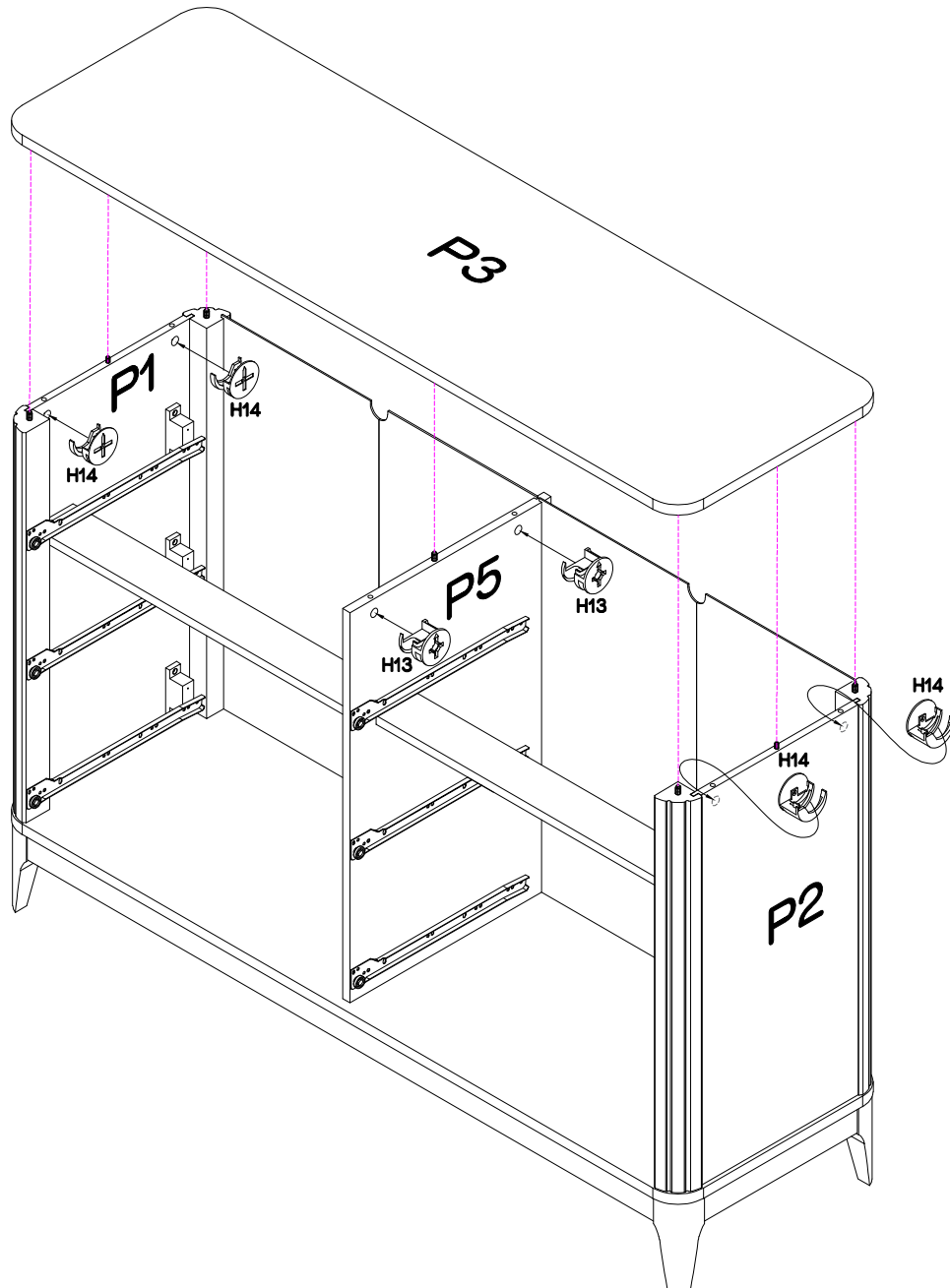
Step 15

You will need	
	
2 × Large Cam Nuts (H13)	4 × Small Cam Nuts (H14)
	
Phillips Head Screwdriver	

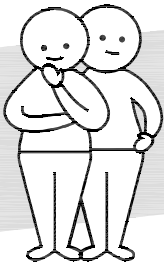
This is how a cam nut works...



The head of the cam bolt goes into the open mouth of the cam nut. You then turn the cam nut so it tightens over the bolt.



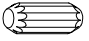
Two People

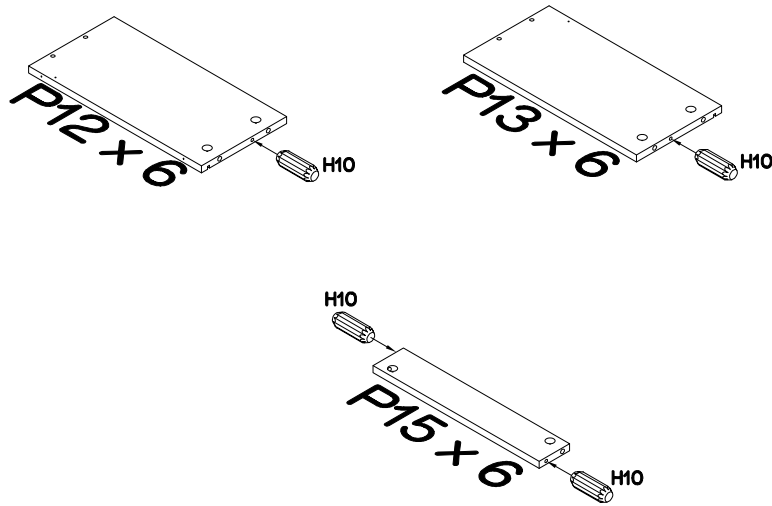


Required

Insert 4 x small cam nuts (H14) into left side panel (P1), right side panel (P2) and 2 x large cam nuts (H13) into divider panel (P5). Rotate the cam nuts so the arrows point towards the incoming cam bolts. Secure the top panel (P3) to left side panel (P1), right side panel (P2) and divider panel (P5) by tightening with a phillips head screwdriver.

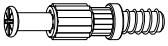
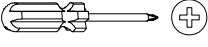
Step 16

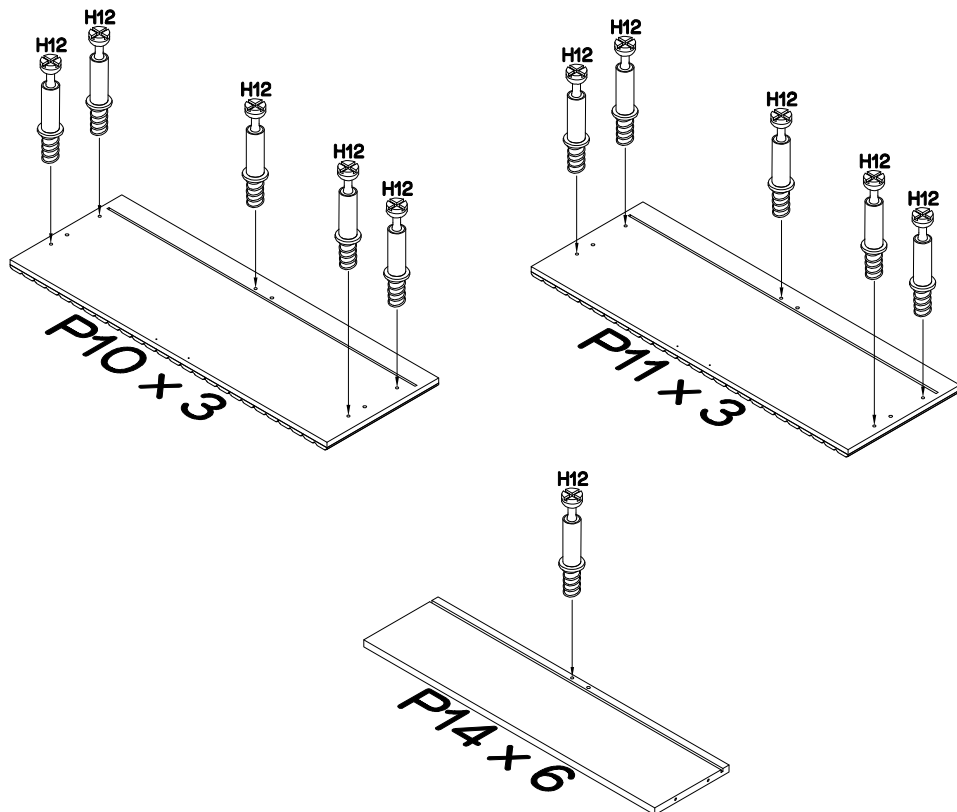
You will need

24 x Small Dowels (H10)



Insert 24 x small dowels (H10) into 6 x drawer left side panels (P12), 6 x drawer right side panels (P13) and 6 x drawer support panels (P15).


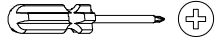
Step 17

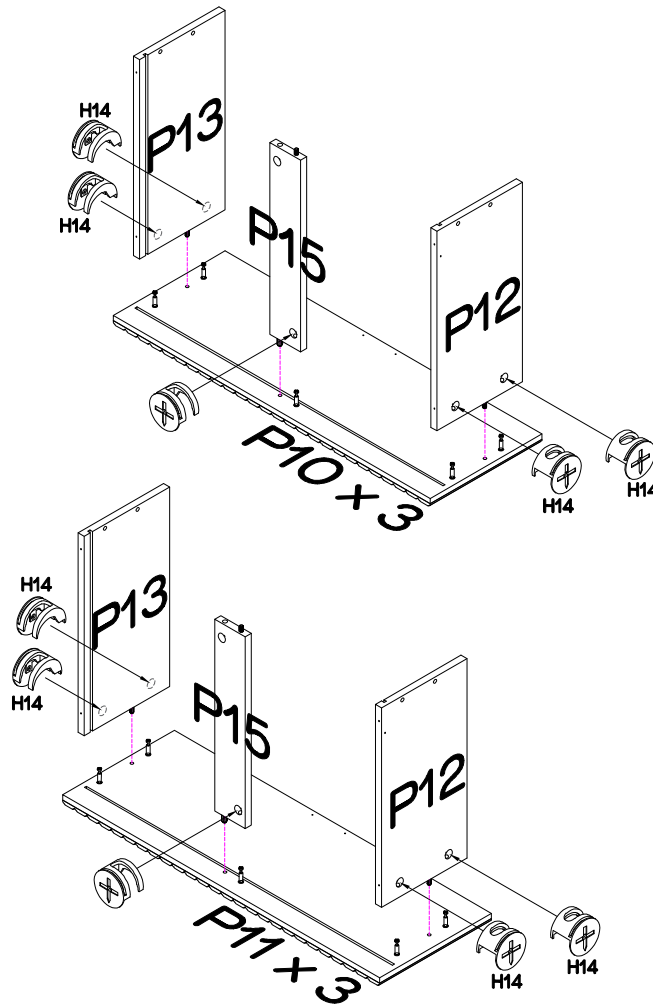
You will need

36 x Cam Bolts (H12)

Phillips Head Screwdriver



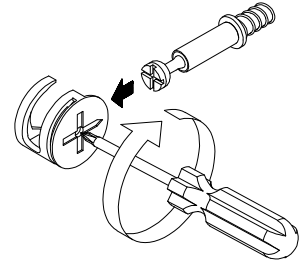
Secure 36 x cam bolts (H12) into the 3 x drawer front left panel (P10), 3 x drawer front right panel (P11), and 6 x drawer back panel (P14), tightening with a phillips head screwdriver.

Step 18

You will need

30 × Small Cam Nuts (H14)

Phillips Head Screwdriver



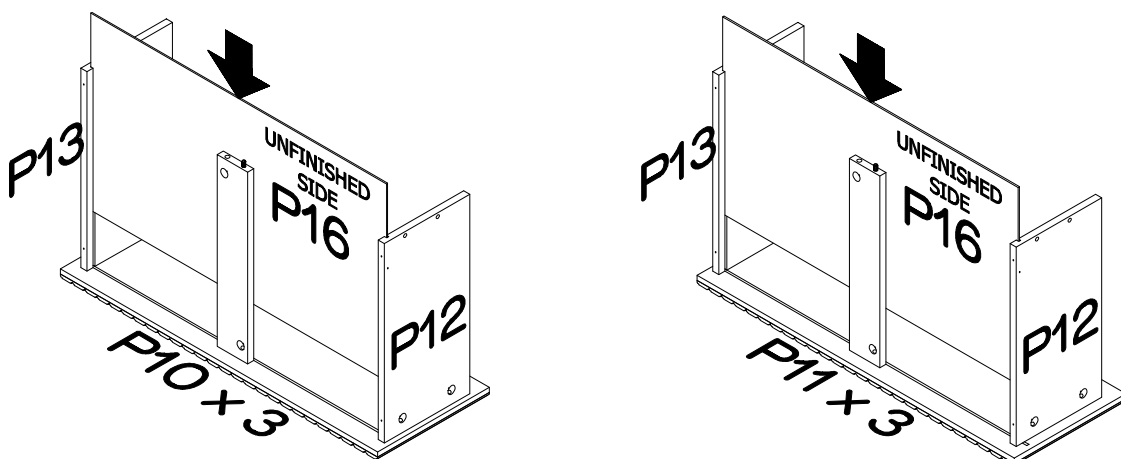
This is how a cam nut works...



The head of the cam bolt goes into the open mouth of the cam nut. You then turn the cam nut so it tightens over the bolt.



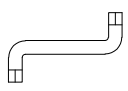
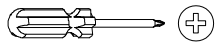
Insert 30 x small cam nuts (H14) into drawer left side panels (P12), drawer right side panels (P13) and drawer support panel (P15). Rotate the cam nut so the arrows point towards incoming cam bolts. Attach the drawer left side panels (P12), drawer right side panels (P13) and drawer support panel (P15) into drawer front left panel (P10) and drawer front right panel (P11), tightening the small cam nuts (H14) with a philips head screwdriver. Repeat this process for the other drawers.

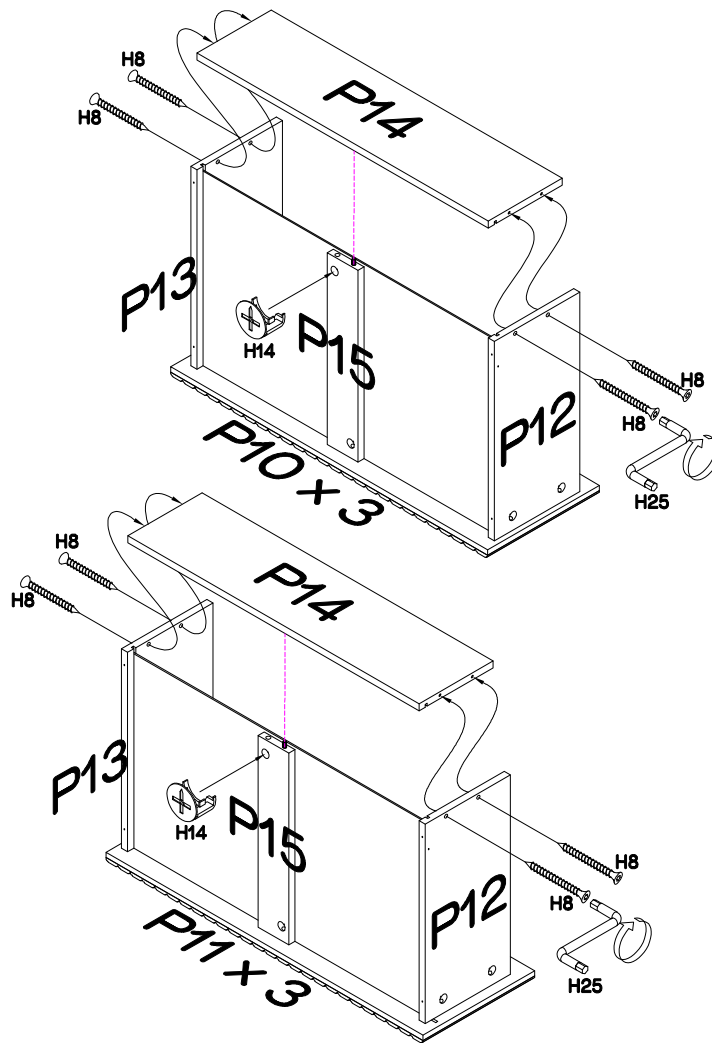
Step 19



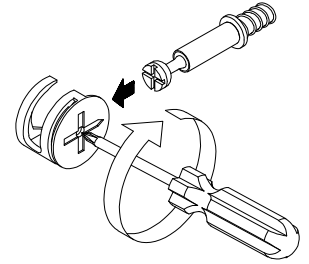
Slide in 6 x drawer bottom panel (P16) into the grooves on the drawer left side panel (P10) and drawer right side panel (P11). Repeat this process for the other drawers.

Step 20

You will need

24 × Large Screws (H8)

6 × Small Cam Nuts (H14)

1 × Allen Key (H25)

Phillips Head Screwdriver



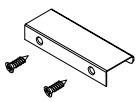
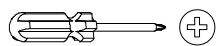
This is how a cam nut works...

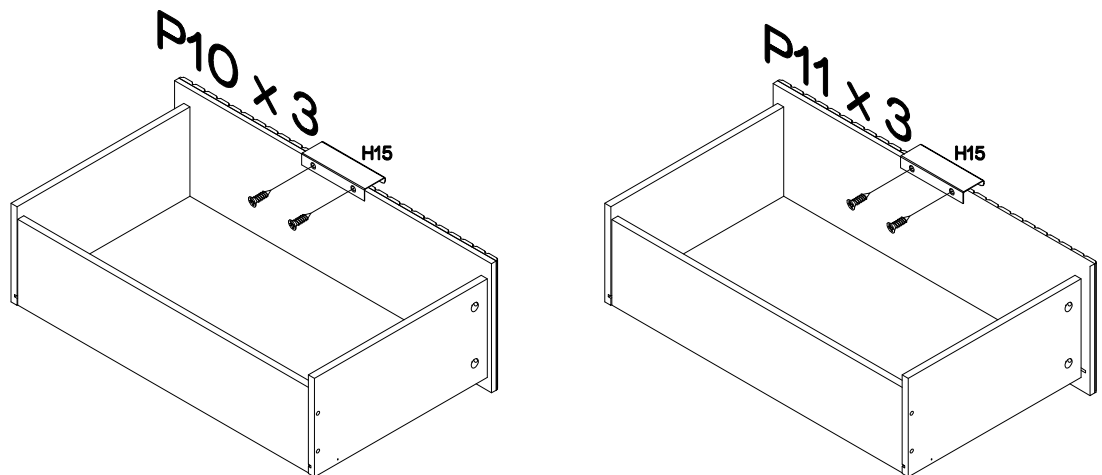


The head of the cam bolt goes into the open mouth of the cam nut. You then turn the cam nut so it tightens over the bolt.

Attach the drawer back panel (P14) to the drawer left side panel (P12) and drawer right side panel (P13) with 24 x large screws (H8), tightening with the allen key (H25). Insert 6 x small cam nuts (H14) into the drawer support panel (P15). Rotate the cam nuts so the arrows point towards incoming cam bolts and secure by tightening small cam nuts (H14) using a phillips head screwdriver. Repeat this process for the other drawers.


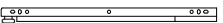
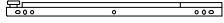

Step 21

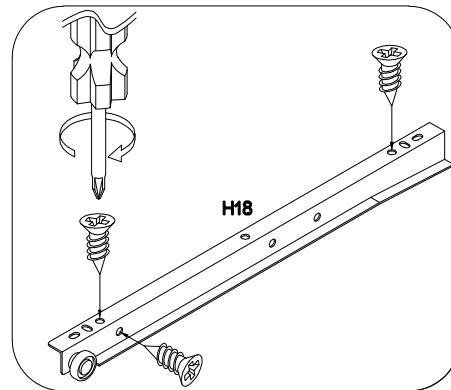
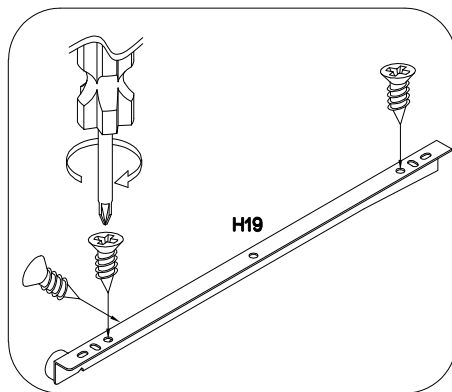
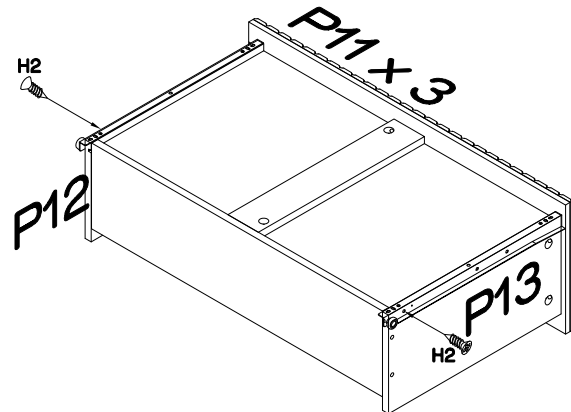
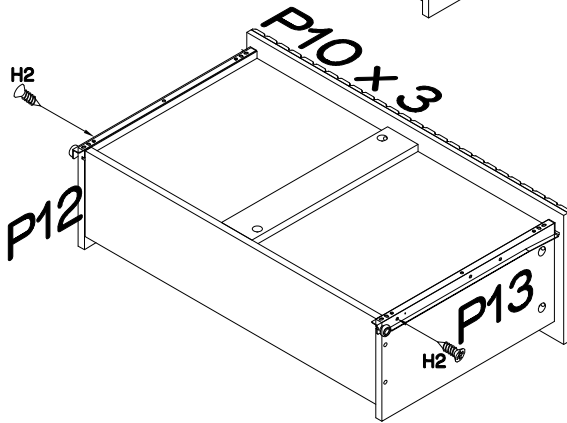
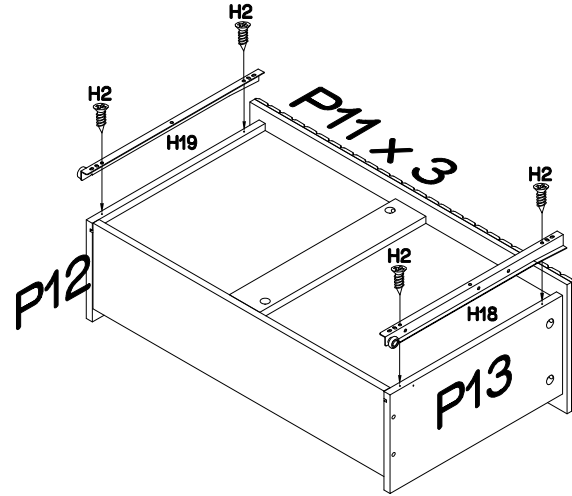
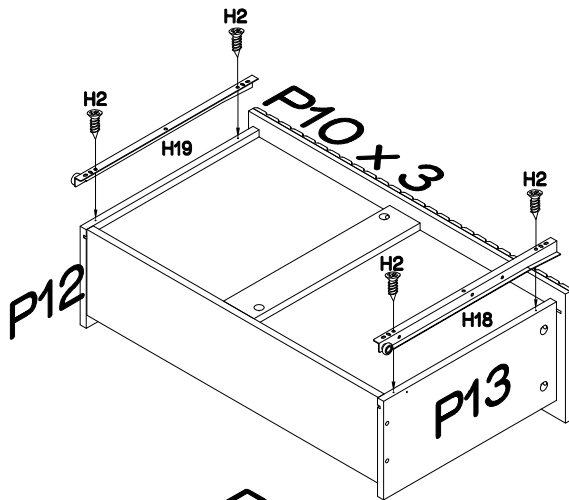
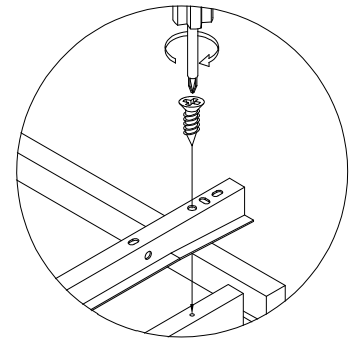
You will need

6 × Handle Screws (H15)

Phillips Head Screwdriver



Using 6 x handle screws (H15) to the drawer front left panel (P10) and drawer front right panel (P11), tightening with a phillips head screwdriver. Repeat this process for the other drawers.

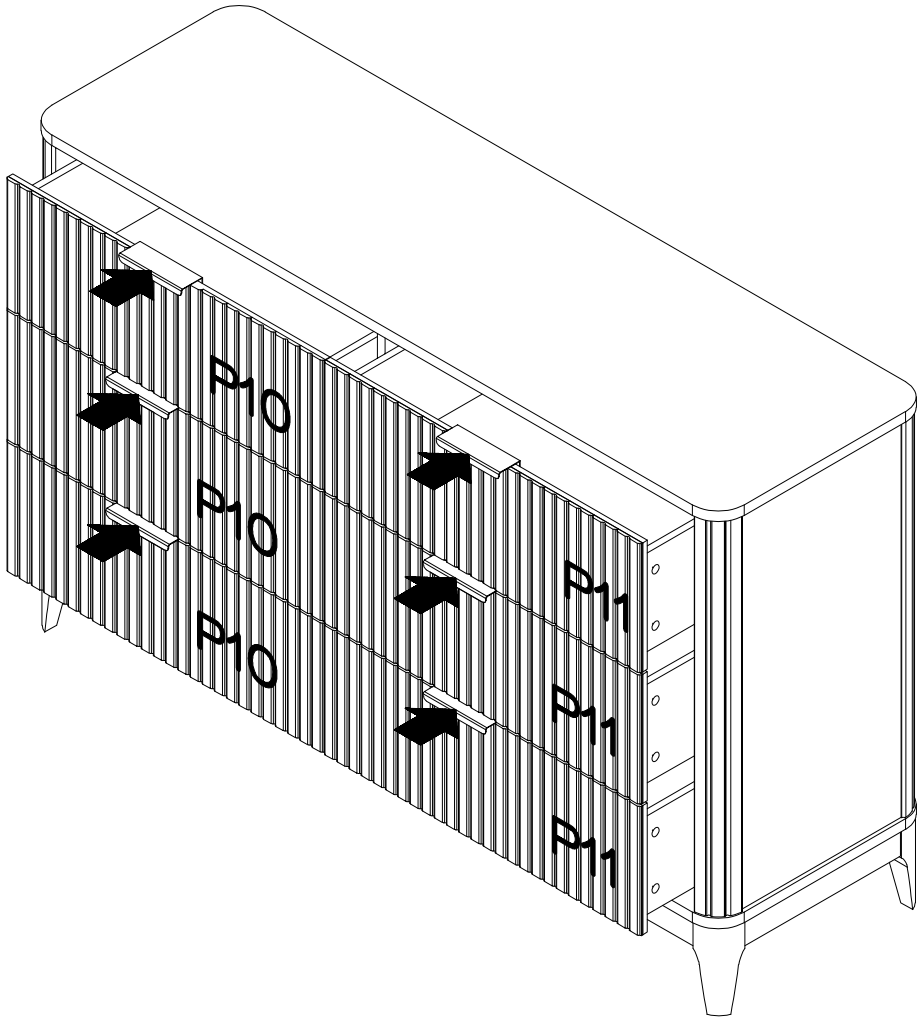
Step 22

You will need	
	
36 × Small Screws (H2)	6 × DR Runners (H18)
	
6 × DL Runners (H19)	Phillips Head Screwdriver




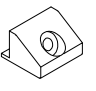
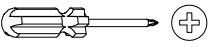
Attach 6 x DL runners (H19) to the drawer left side panel (P12) and 6 x DR runners (H18) to the drawer right side panel (P13) using 36 x small screws (H2), tightening with the phillips head screwdriver. Repeat this process for the other drawers.

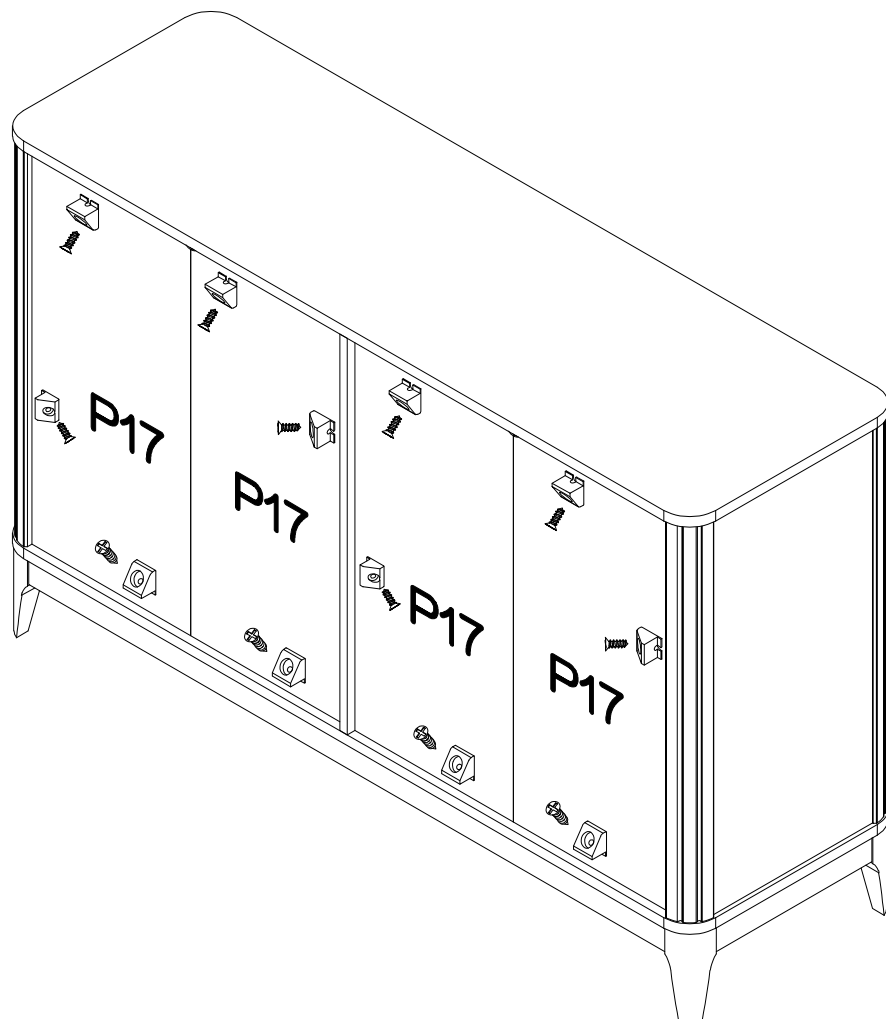
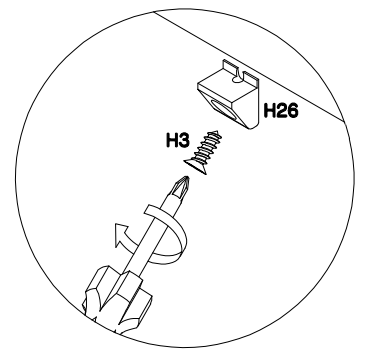
Step 23



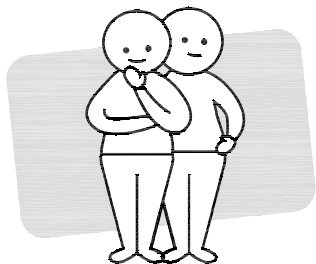
With assistance, carefully turn dresser up right. Insert the completed drawer boxes into the frame as shown.

Step 24

You will need

12 × Medium Screws (H3)

12 × Wedges (H26)

Phillips Head Screwdriver



Two People



Required

Attach 12 x wedges (H26) to the 4 x back panel (P17) and using 12 x medium screws (H3), tightening with the philips head screwdriver.

Step 25

TIPPING RESTRAINTS KIT INSTALLATION GUIDANCE

This tipping restraint is not an earthquake restraint. If you wish to add the extra security of earthquake restraints, they must be purchased and installed separately.

