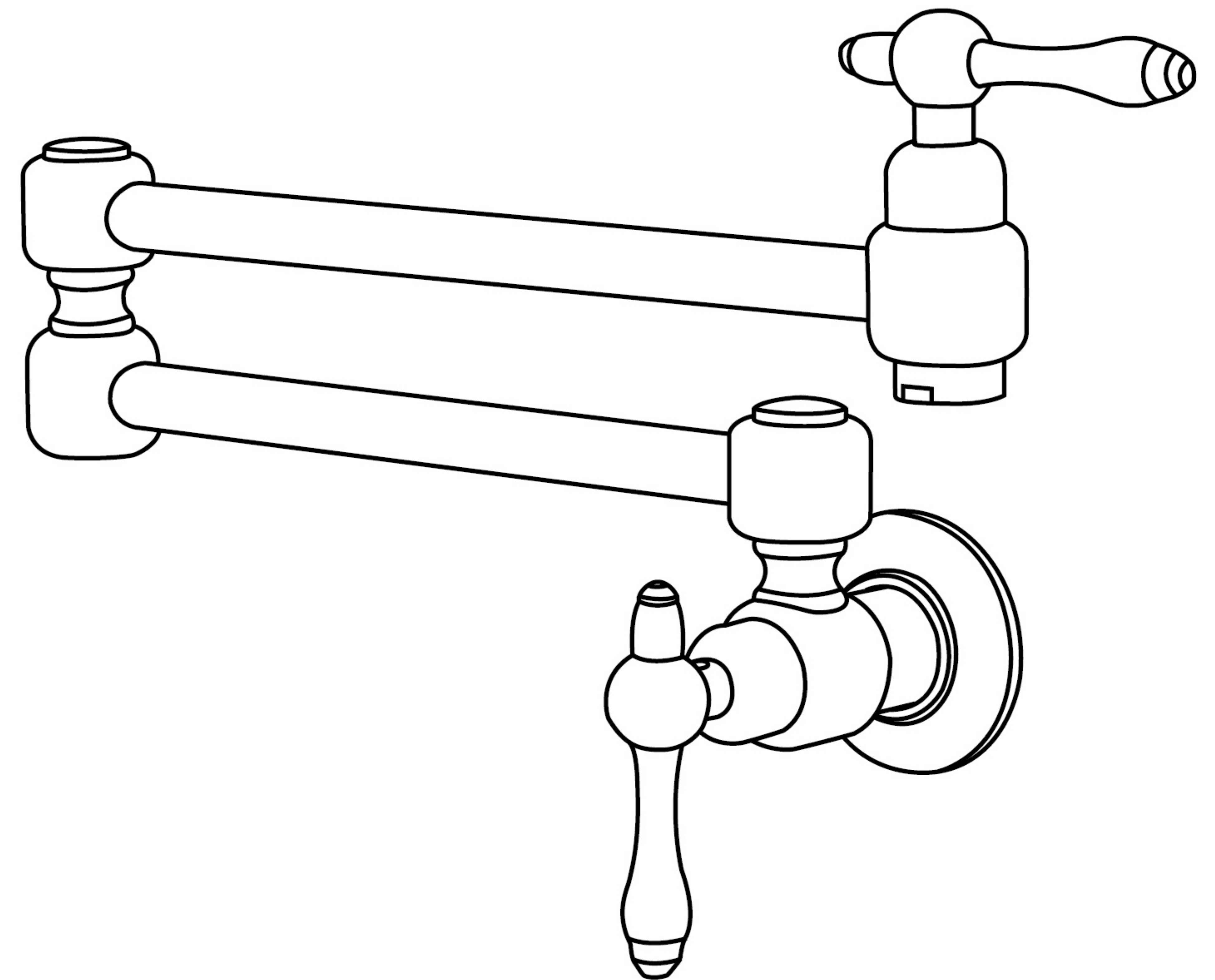




Pot Filler Faucet Installation Instruction

Faucet maintenance

1. Do not disassemble the faucet parts without authorization.
2. Cleaning faucet: wipe with a soft towel or rag after wetting. Do not use hard and sharp cleaning tools to clean the faucet to avoid scratching the plating layer.
3. Avoid contact with corrosive liquids such as strong acids and alkalis.



We'd Love to Hear From You

Dear Customer,

Thank you for your purchase.

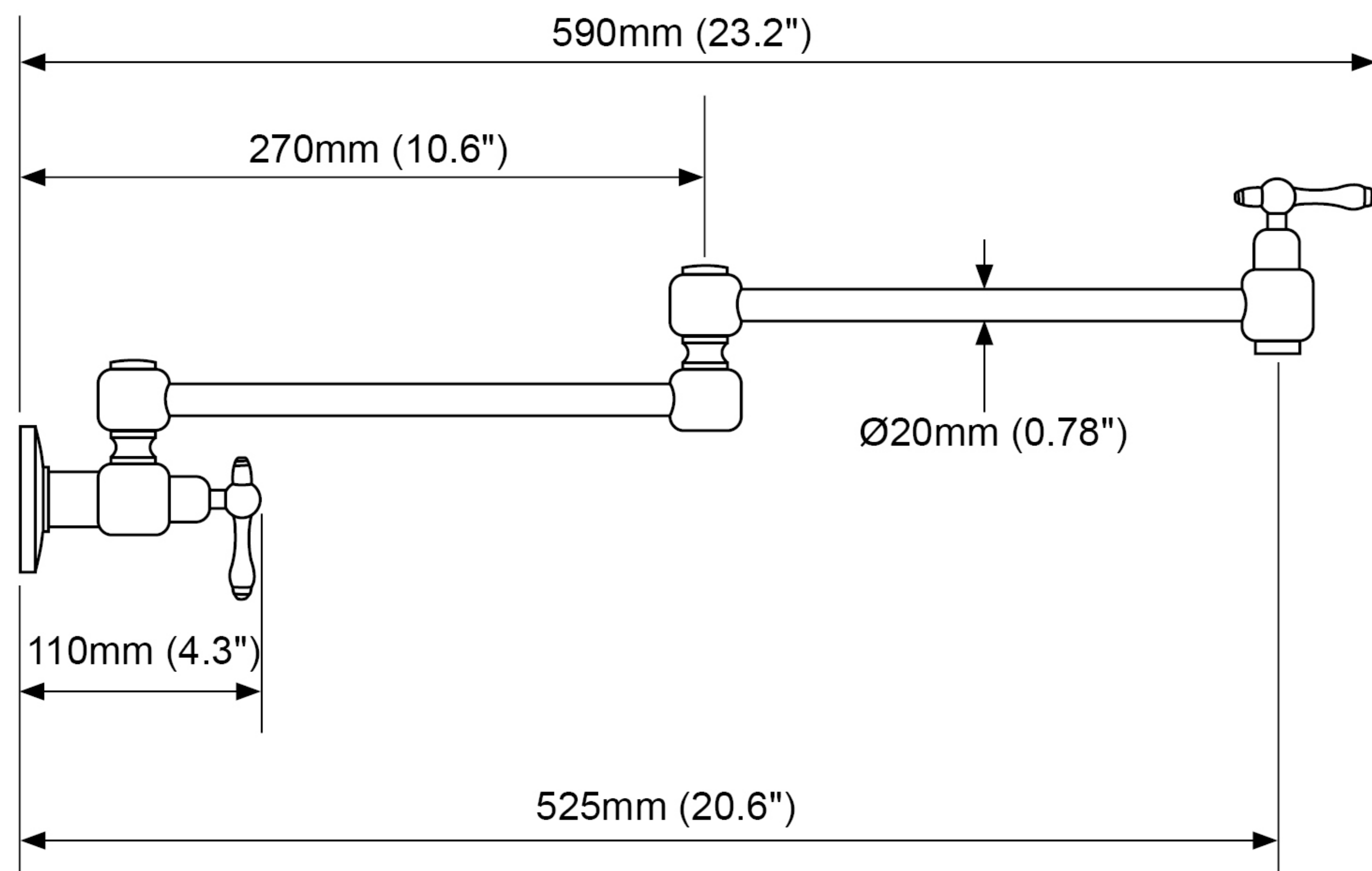
If have any concern or problem, Pls contact us:

shamanda2@hotmail.com.

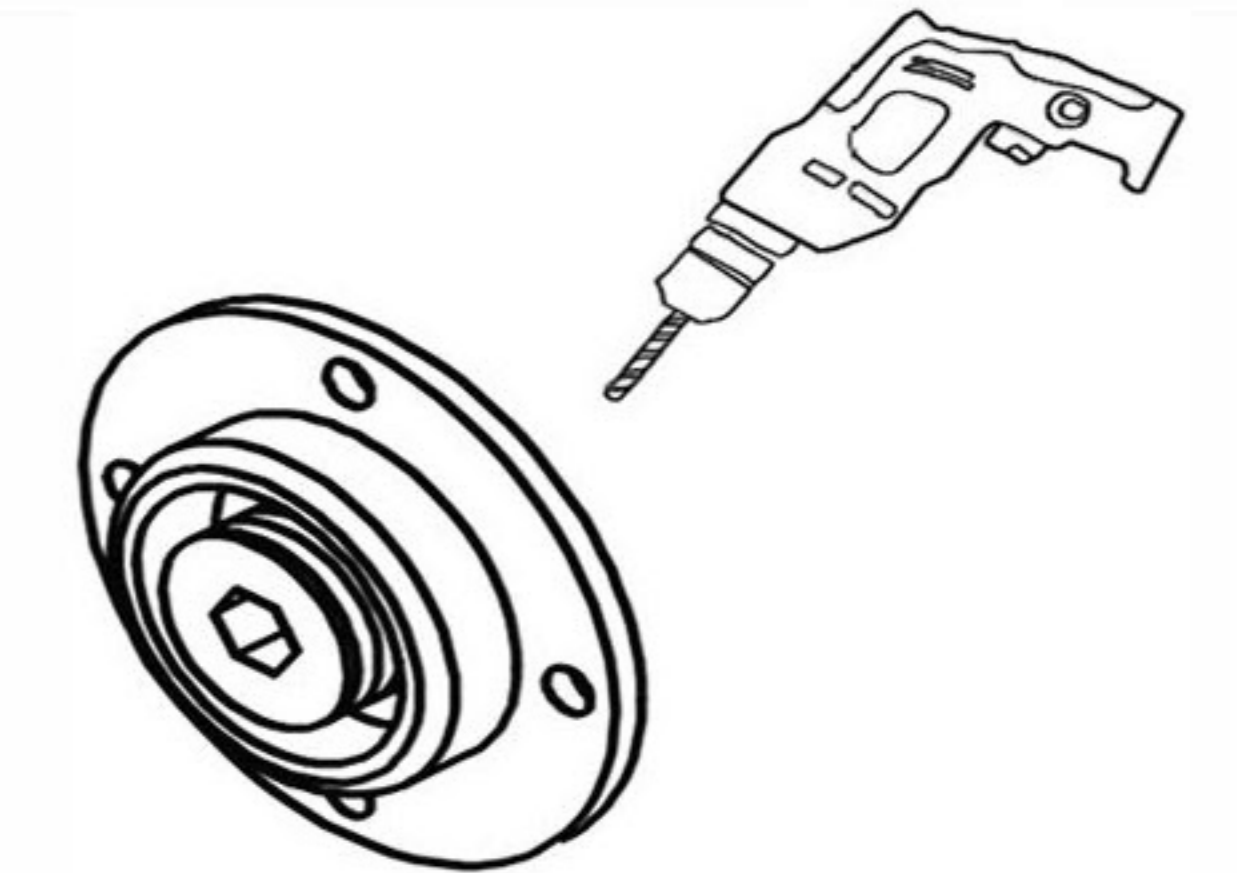
We will provide you solution in 12 hours.

If like it, please share with friends or on Amazon. Your will be highly appreciated by your friends or thousands of Amazon customers!

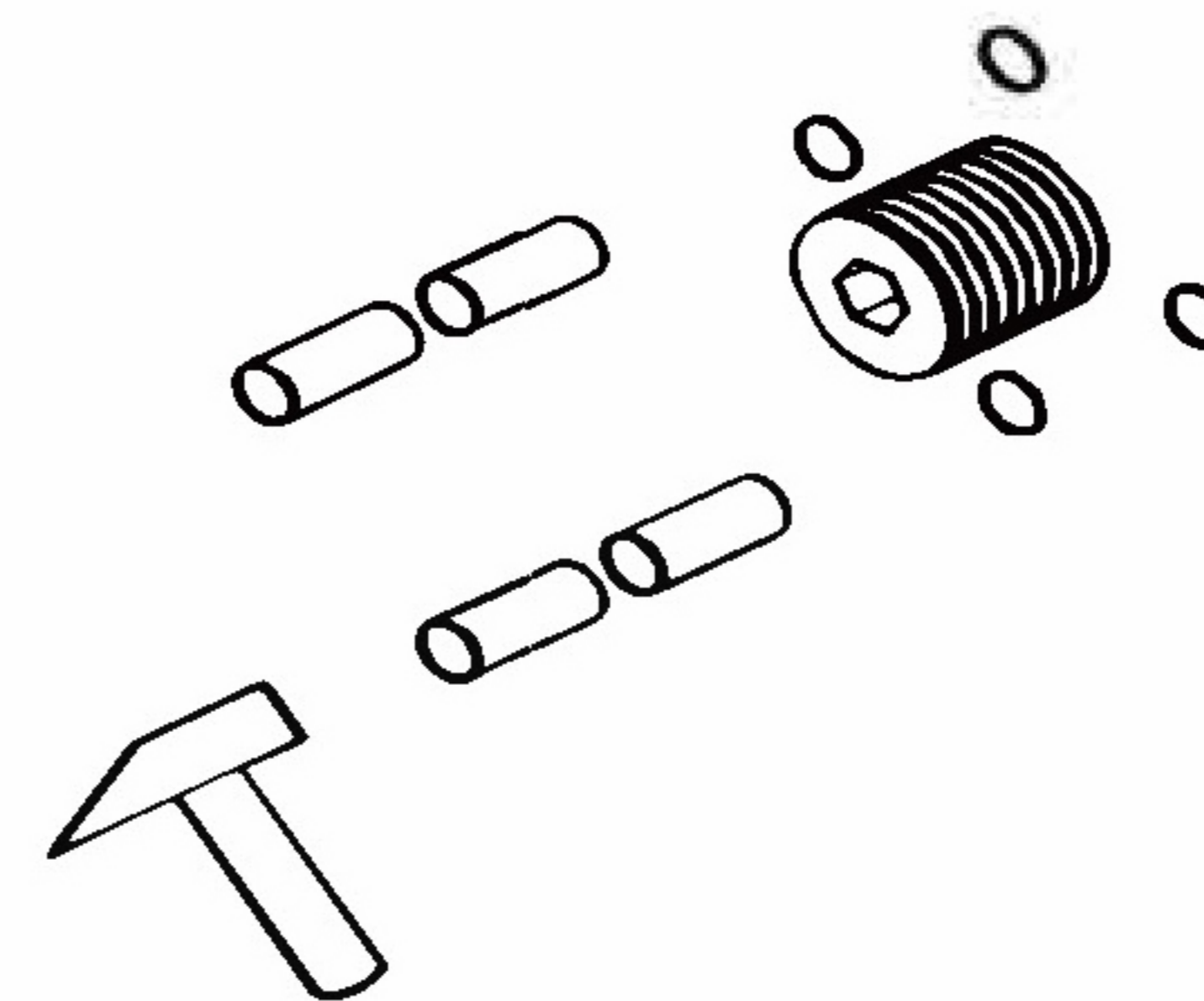
Best regards!



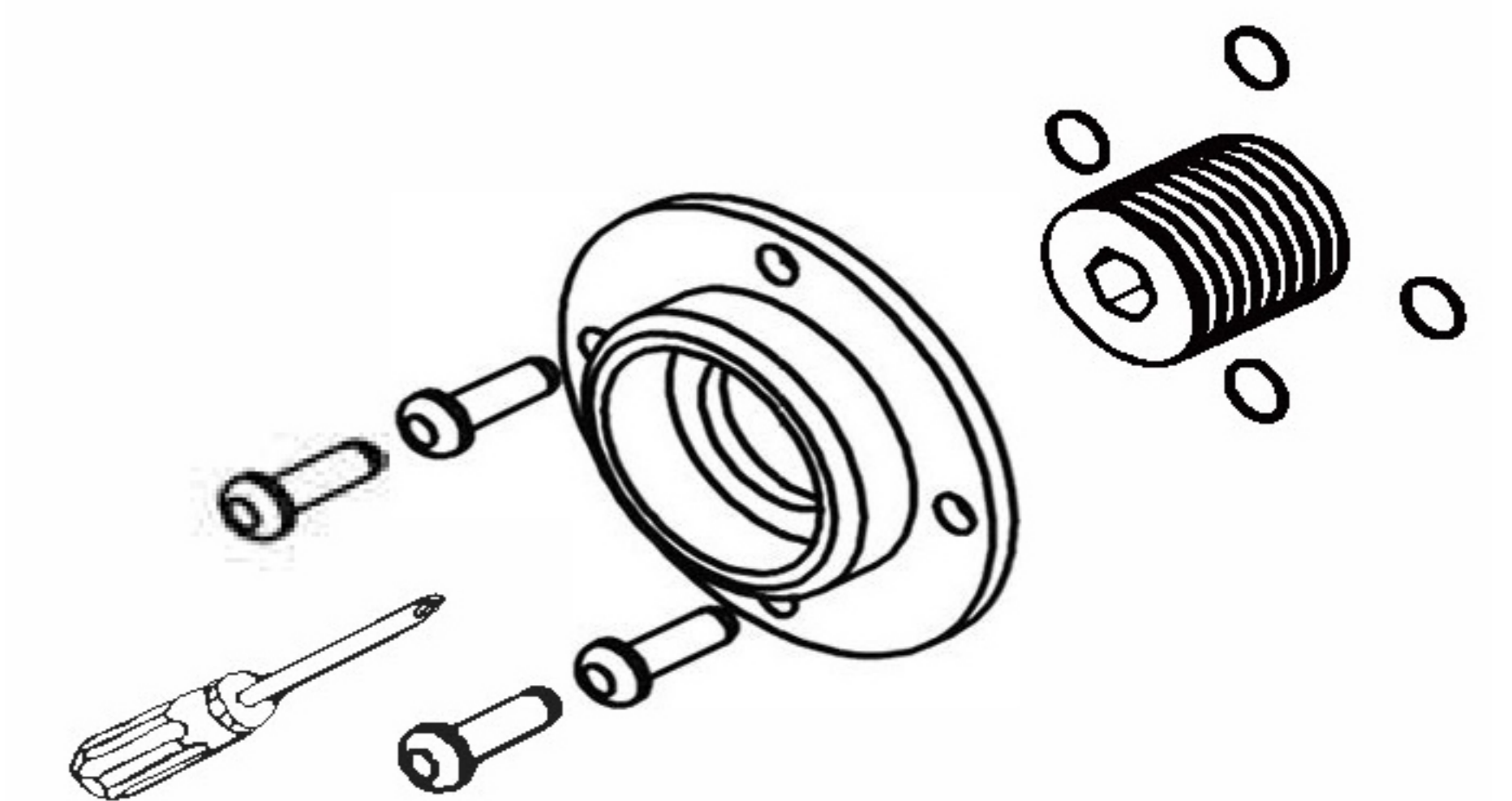
1.Wrap the sealing tape on the 1/2 NPT thread joint and connect the water pipe



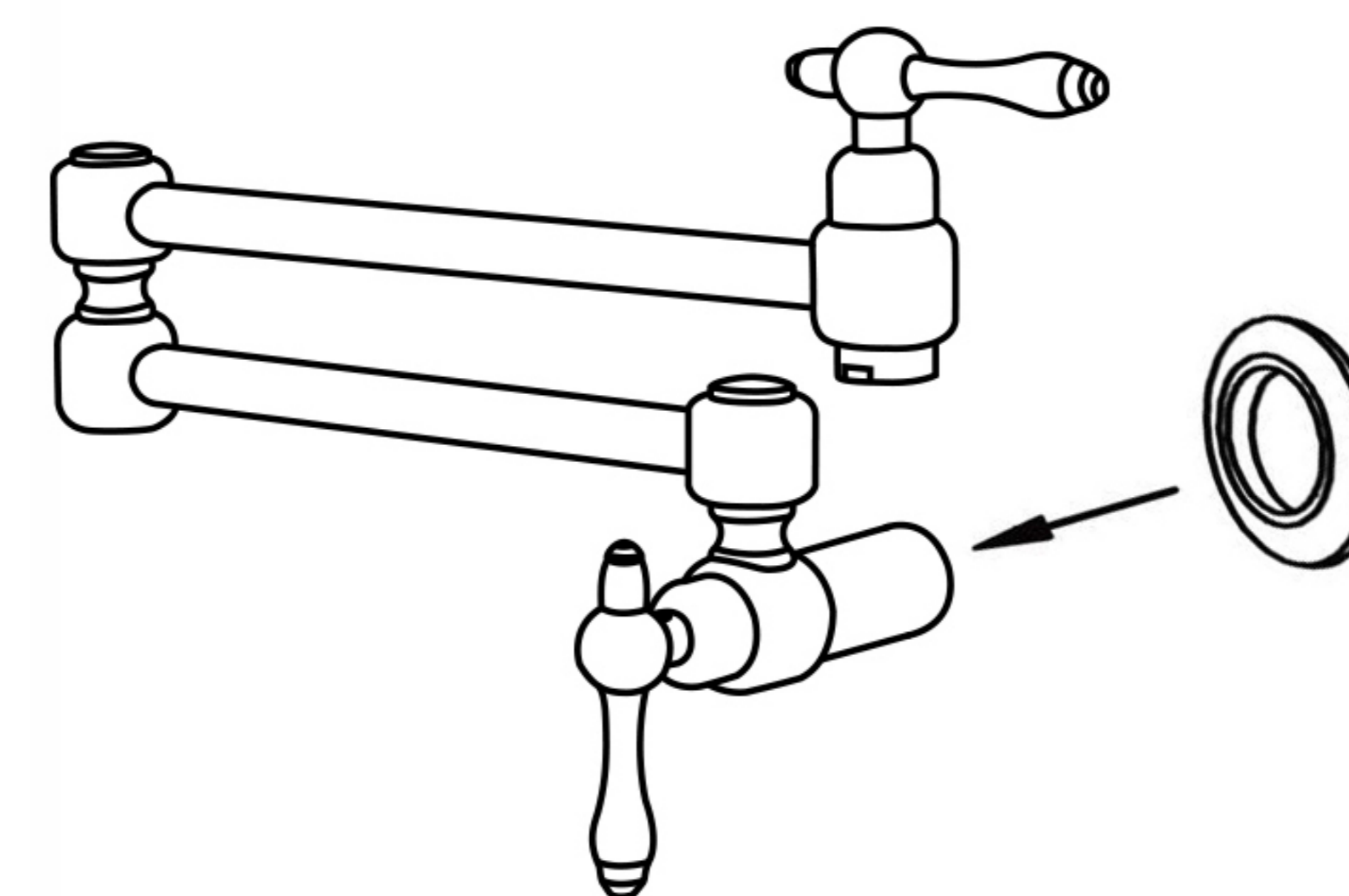
2.Put the base on the thread joint and punch



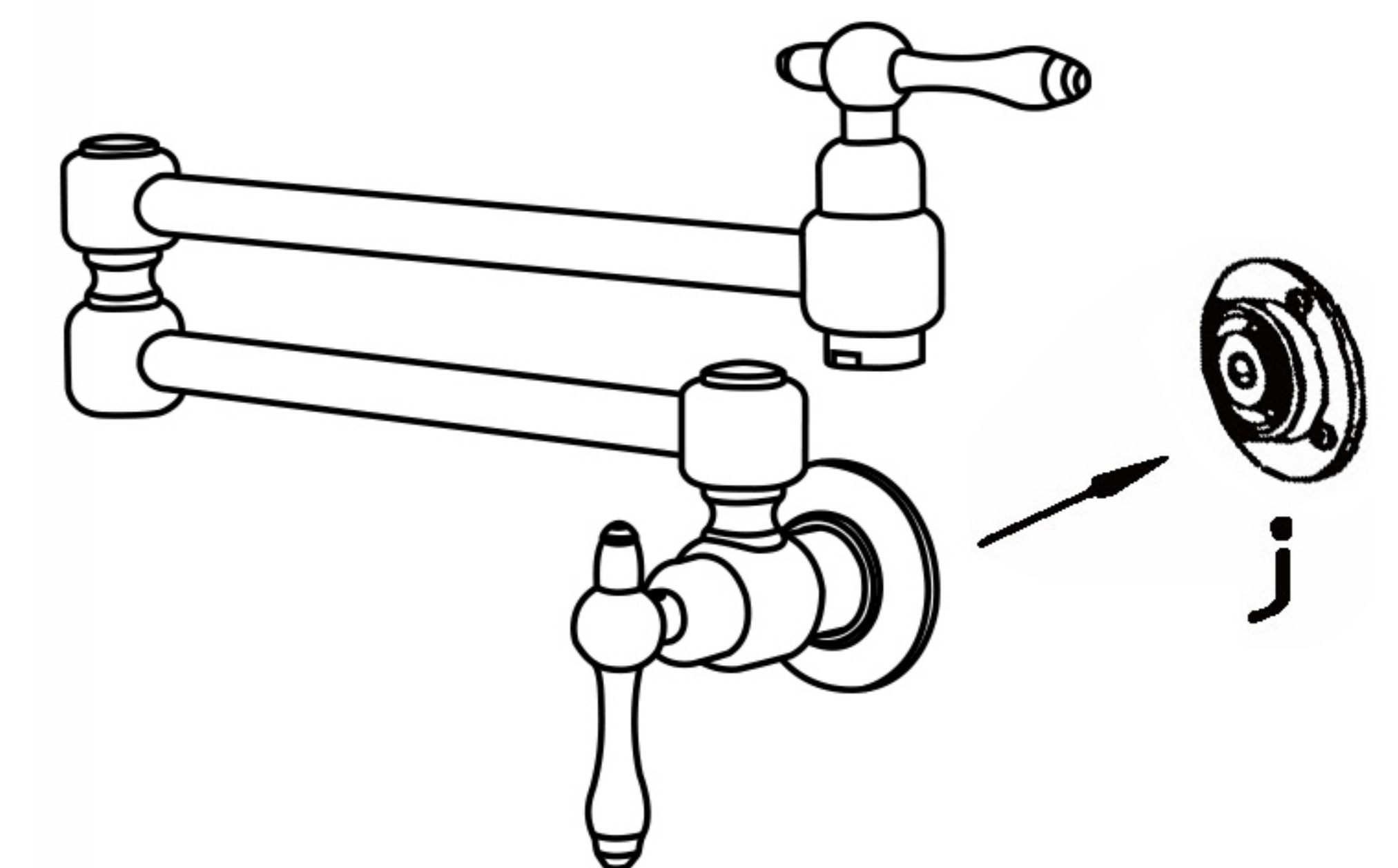
3.Knock the rubber nail into the hole



4.Fixing the base with screws



5.Put the decorative cover on the faucet interface tube



6.Connect the faucet to the thread joint on the wall, and use a hex wrench to tighten the screw from the side of the base to fix the base.