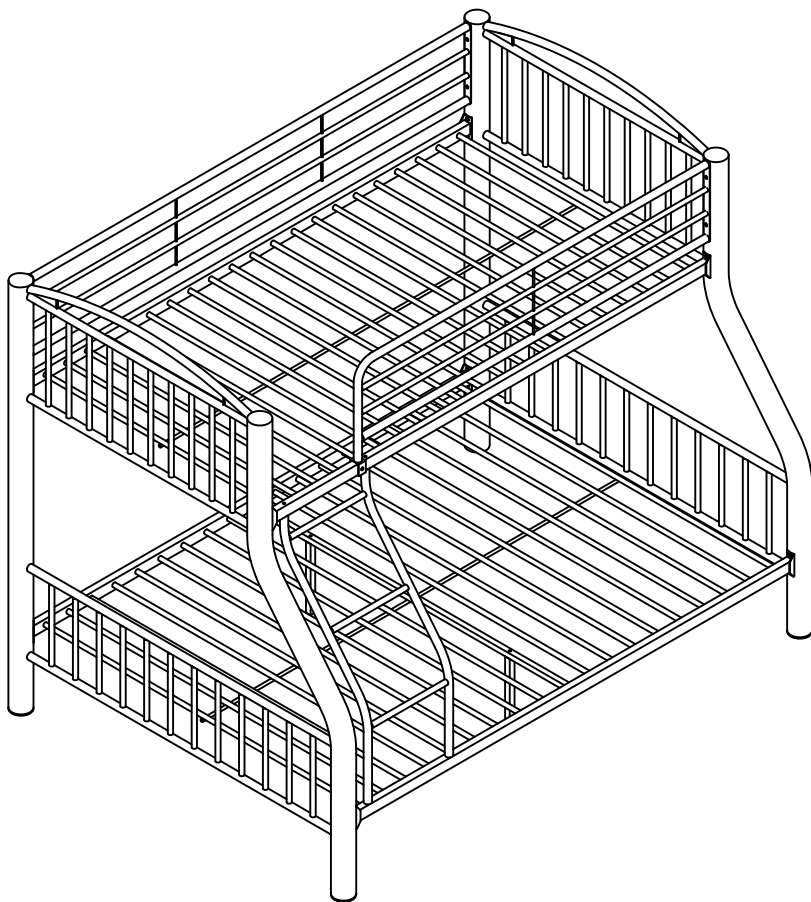
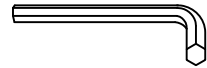


# ASSEMBLY INSTRUCTIONS



## TOOLS REQUIRED



Allen Wrench

(Included)



**3 - People  
Recommended**

## ASSEMBLY RATING



EASY —————> DIFFICULT

The Assembly Rating is a 5-point system showing the level of effort needed to assemble a specific product.

Thank you for your purchase!

We hope you enjoy this new addition to your home for many years to come.



## CHECK BEFORE STARTING

### Are you missing anything?

Double-check all parts, hardware and accessories listed on Page 6 are accounted for.

### Check out our Quick Tips!

We recommend reviewing the pre-assembly handouts. Even experts need a refresher now and then!

### Should we send any replacements?

Are there any irregularities or flaws in the parts? We can send replacements!

### Prep Time!

Please review the assembly instructions and all diagrams prior to assembling. Set up your workspace by laying the parts and hardware out separately, then begin!

# PRE ASSEMBLY INTRODUCTION

We understand building ready-to-assemble furniture can be a challenging experience for some. To help avoid confusion, we have provided some helpful tips that may speed up the process.



## Teamwork

ALWAYS have at least two people to help with transporting and assembling the product to avoid potential injury and/or damage.



## Suitable Location

Assembling near the area of the intended location is highly recommended.



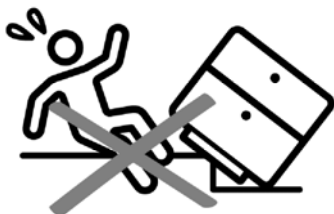
## Sufficient Space

Make sure you have enough space to move around during the assembly.



## Avoid Scratches

Use cardboard, blankets or a carpeted area while assembling furniture to prevent scratches.



## Flat Surface

Make sure the furniture rests on a flat and level surface with each leg evenly touching the floor.

# ASSEMBLY AND CARE ADVICE



**FAILURE TO FOLLOW THE GUIDELINES BELOW MAY RESULT IN INJURY AND/OR PROPERTY DAMAGE.**



Position each part correctly and insert screws or bolts into their respective holes.



Use the appropriate hand tools or power tools for assembly. Select steps, such as tightening screws and/or bolts, may require hand tools to avoid causing damage during assembly.



Turn clockwise to tighten and only tighten when step is completed or when instructed to do so.



Save the instructions and store any supplied tools for later maintenance.



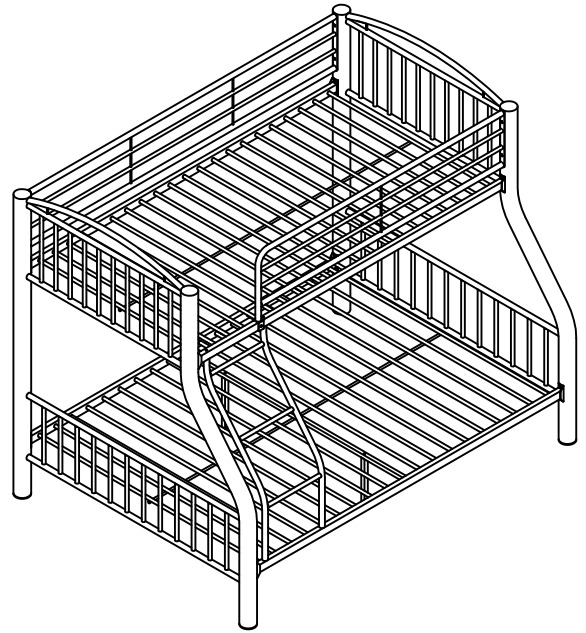
After two weeks, check and tighten any loose hardware and repeat again every six months thereafter.

**IT IS THE USER'S RESPONSIBILITY TO MAINTAIN THE FURNITURE. THE HARDWARE MAY LOOSEN OVER TIME AND MAY CAUSE THE FURNITURE TO BE WOBBLY AND UNABLE TO SUPPORT ITS INTENDED WEIGHT CAPACITY. THIS MAY LEAD TO COLLAPSE AND MAY CAUSE SERIOUS INJURY.**

# BUNKBED

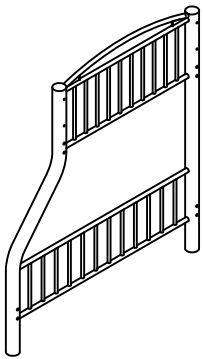


- Please keep instructions for future reference.
- Check the quantity and irregularity of parts and hardware before you start.



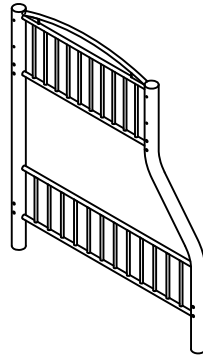
## PARTS

#1 1pc



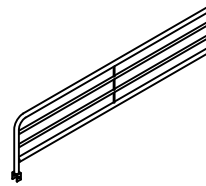
Left Side Panel

#2 1pc



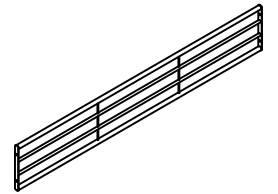
Right Side Panel

#3 1pc



Front Guardrail

#4 1pc



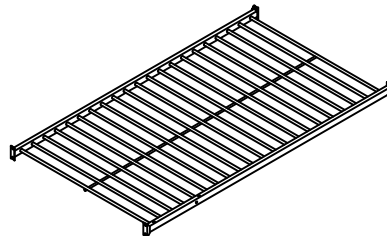
Back Guardrail

#5 2pcs



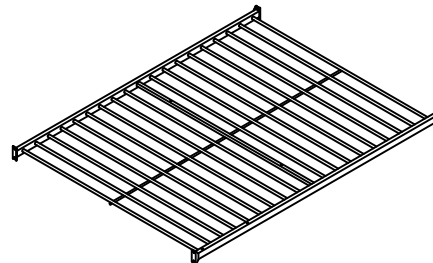
Support Leg

#6 1pc



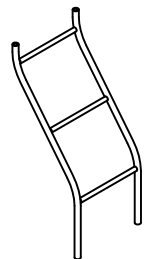
Top Base Frame

#7 1pc



Bottom Base Frame

#8 1pc



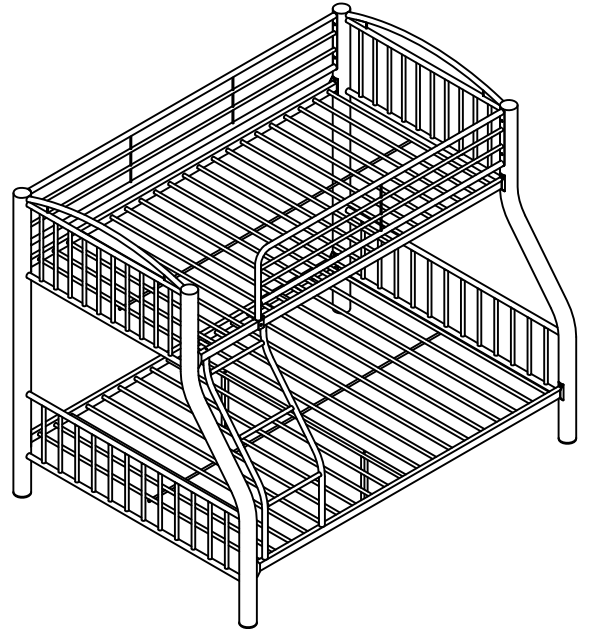
Ladder

# BUNKBED

CM-BK1037TF



- Please keep instructions for future reference.
- Check the quantity and irregularity of parts and hardware before you start.



## HARDWARE

#A 7pcs



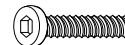
Bolt 1/4" x 3/4"  
(White)

#B 2pcs



Bolt 1/4" x 1-3/4"  
(White)

#C 16pcs



Bolt 5/16" x 3/4"  
(White)

#D 4pcs



Bolt 5/16" x 2-1/2"  
(White)

#E 9pcs



Flat Washer  
16mm (White)

#F 20pcs



Flat Washer  
18mm (White)

#G 9pcs



Spring Washer  
11mm (White)

#H 20pcs



Spring Washer  
13mm (White)

#I 1pc



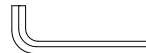
Nut  
1/4" x 7/8" (White)

#J 2pcs



Allen Wrench  
4 x 4 mm (White)

#K 1pc

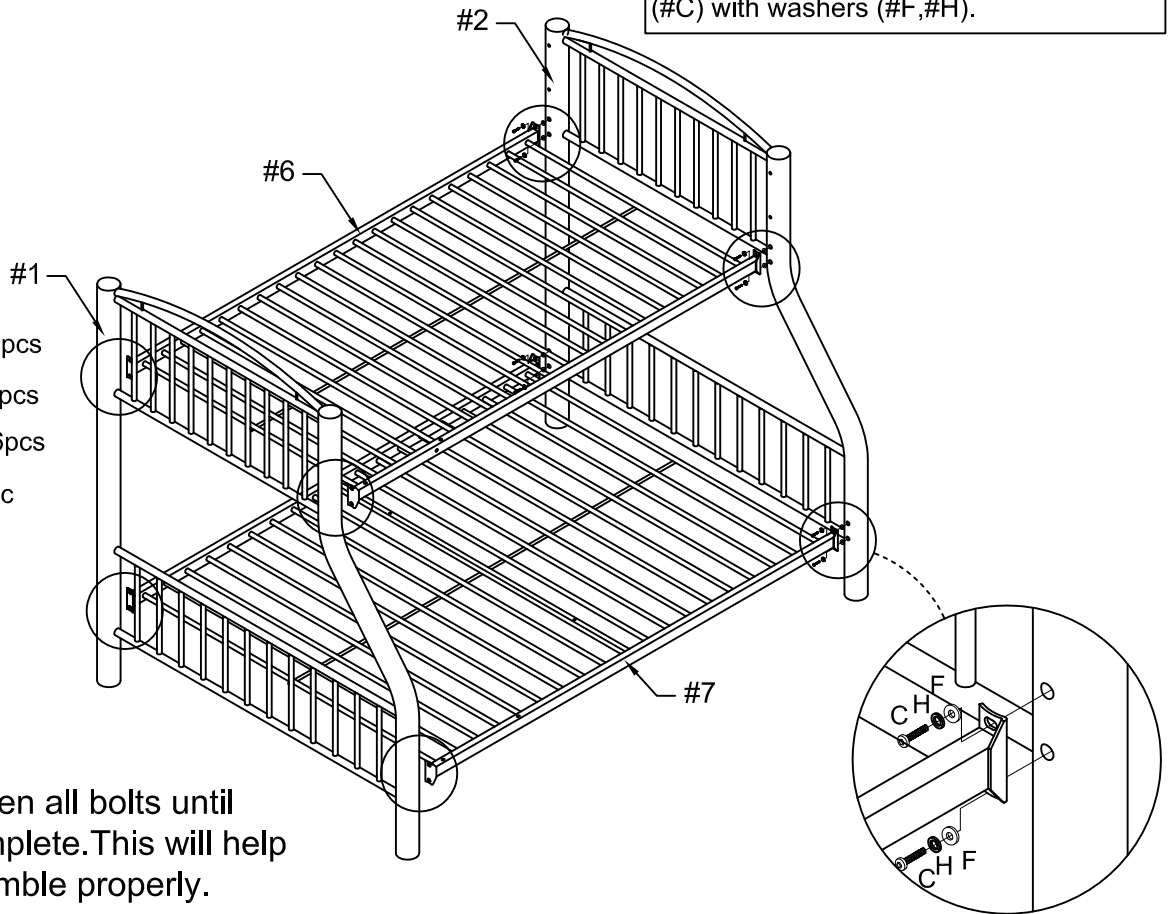


Allen Wrench  
5 x 5 mm (White)

# ASSEMBLY INSTRUCTIONS

## 1

- Part #1 x1pc
- Part #2 x1pc
- Part #6 x1pc
- Part #7 x1pc
- Hardware #C x16pcs
- Hardware #F x16pcs
- Hardware #H x16pcs
- Hardware #K x1pc



Align the base frames (#6, #7) to side panels (#1, #2), then secure by using bolts (#C) with washers (#F, #H).

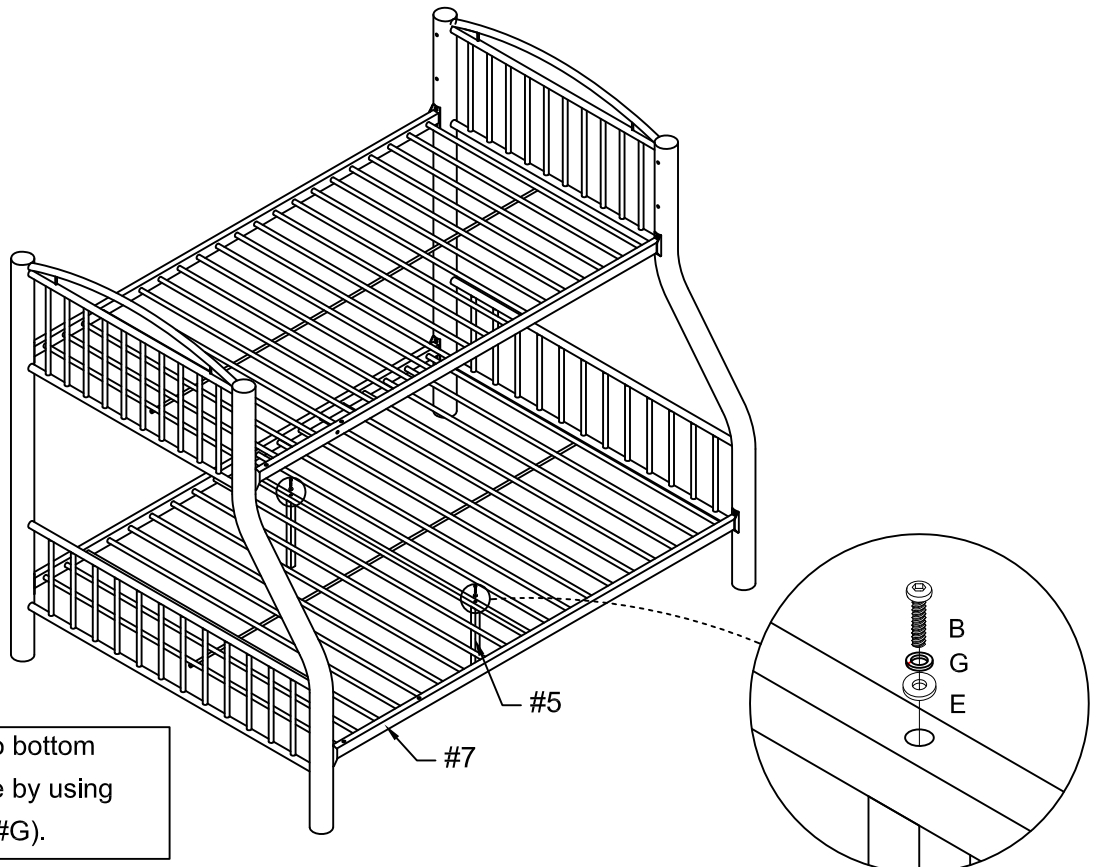
Turn right (clockwise) to tighten

### ASSEMBLY

Do not fully tighten all bolts until assembly is complete. This will help all parts to assemble properly.

## 2

- Part #5 x2pcs
- Hardware #B x2pcs
- Hardware #E x2pcs
- Hardware #G x2pcs
- Hardware #J x1pc



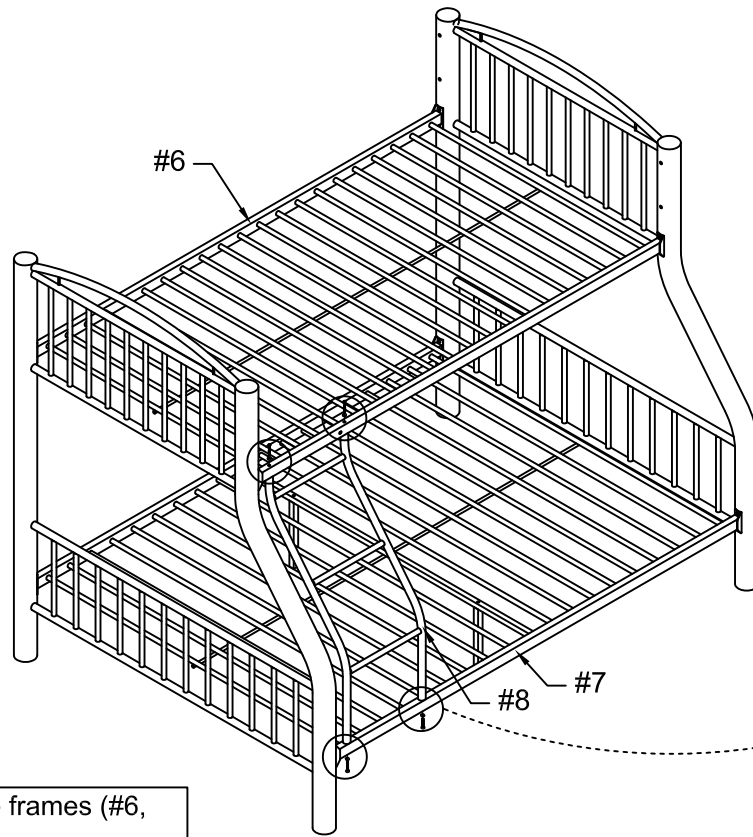
Align the support legs (#5) to bottom base frame (#7), then secure by using bolts (#B) with washers (#E, #G).

Turn right (clockwise) to tighten

# ASSEMBLY INSTRUCTIONS

## 3

- Part #8 x1pc
- Hardware #D x4pcs
- Hardware #F x4pcs
- Hardware #H x4pcs
- Hardware #K x1pc

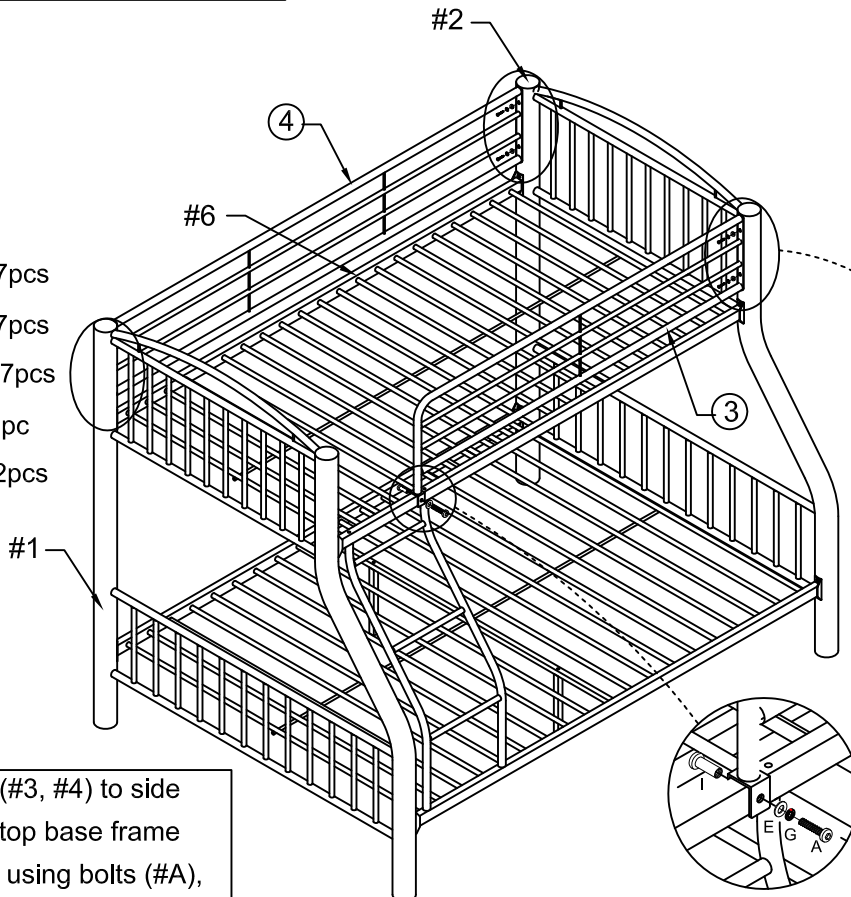


Align the ladder (#8) to base frames (#6, #7), then secure by using bolts (#D) with washers (#F, #H).

Turn right (clockwise) to tighten

## 4

- Part #3 x1pc
- Part #4 x1pc
- Hardware #A x7pcs
- Hardware #E x7pcs
- Hardware #G x7pcs
- Hardware #I x1pc
- Hardware #J x2pcs

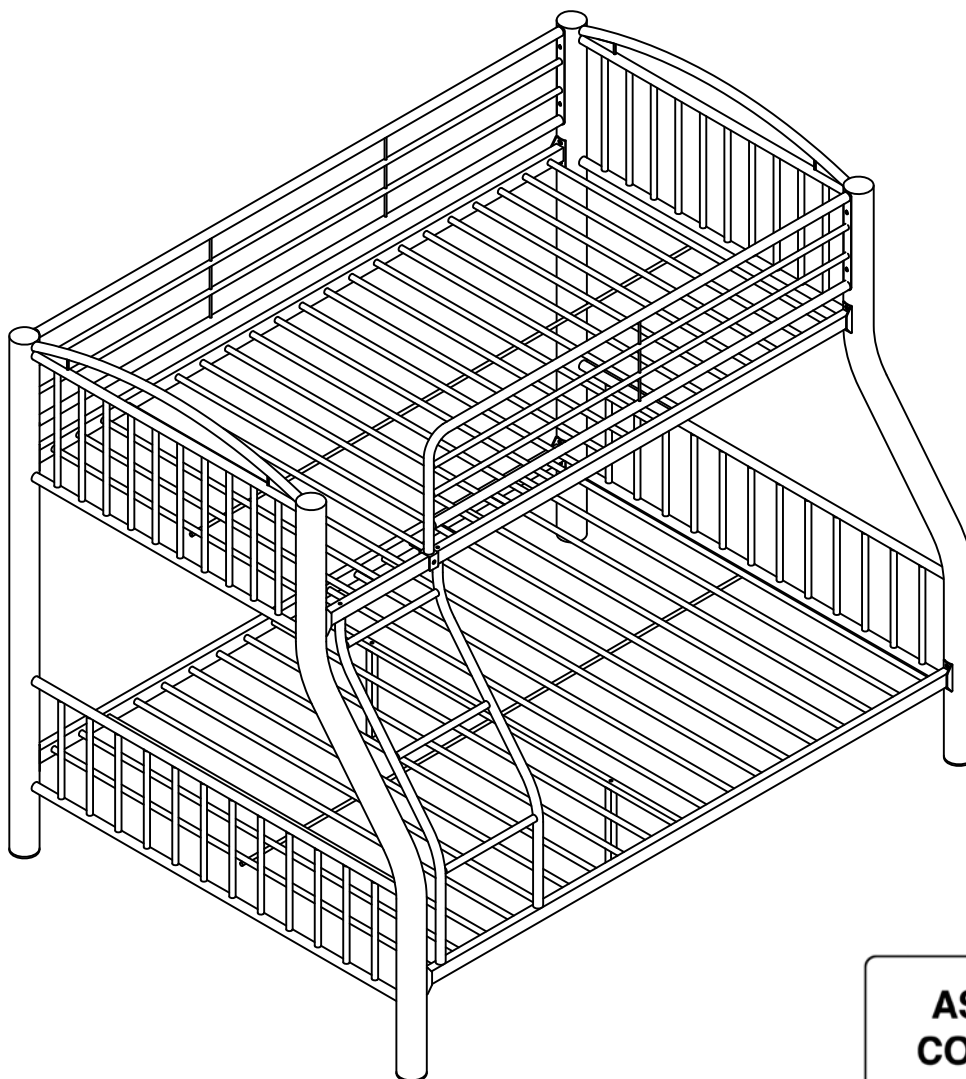


Align the guardrails (#3, #4) to side panels (#1, #2) and top base frame (#6), then secure by using bolts (#A), nut (#I) with washers (#E, #G).

Turn right (clockwise) to tighten

# ASSEMBLY INSTRUCTIONS

5



## ASSEMBLY COMPLETED



Please ensure the furniture rests on an even and flat surface. If the product wobbles or feels loose, double-check all bolts and/or screws are properly tightened and secured.



### Keep this handy!

Please retain this instruction manual and any order-related information for future reference.



### Lift, don't drag!

To avoid damage to product please always LIFT the product when transporting or adjusting the placement.

## Safety Warnings

1. Follow the information on the warnings appearing on the upper bunk end structure and on the carton. Do not remove warning label from bed.
2. Always use the recommended size mattresses or mattress supports, or both, to help prevent the likelihood of entrapment or falls.
3. Surface of mattress must be at least 5 in. (127mm) below the upper edge of guardrails.
4. Do not allow children under 6 years of age to use the upper bunk.
5. Periodically check and ensure that the guardrail, ladder, and other components are in their proper position, free from damage, and that all connectors are tight.
6. Do not allow horseplay on or under the bed and prohibit jumping on the bed.
7. Always use the ladder for entering and leaving the upper bunk.
8. Do not use substitute parts. Contact the manufacturer or dealer for replacement parts.
9. Use of a night light may provide added safety precaution for a child using the upper bunk.
10. Always use guardrails on both long sides of the upper bunk. If the bunk bed will be placed next to the wall, the guardrail that runs the full length of the bed should be placed against the wall to prevent entrapment between the bed and wall.
11. The use of water or sleep flotation mattresses is prohibited.
12. Keep these instructions for future reference.
13. Always use the recommended size mattress or mattress support to prevent the likelihood of being trapped or falling over. The proper mattress size for the UPPER bunk **MUST BE** 74" to 75" long x 37  $\frac{1}{2}$ " to 38  $\frac{1}{2}$ " wide x 6" high (no higher than 6"). The proper mattress size for the LOWER bunk **MUST BE** 74" to 75" long x 53  $\frac{1}{2}$ " to 54  $\frac{1}{2}$ " wide x 8" high.
14. Prohibit more than one person on upper bunk.
15. Maximum total weight is not to exceed 150 lbs on the upper bunk.

### STRANGULATION HAZARD:

Never attach or hang items to any part of the bunk bed that are not designed for use with the bed; for example, but not limited to, hooks, belts and jump ropes.