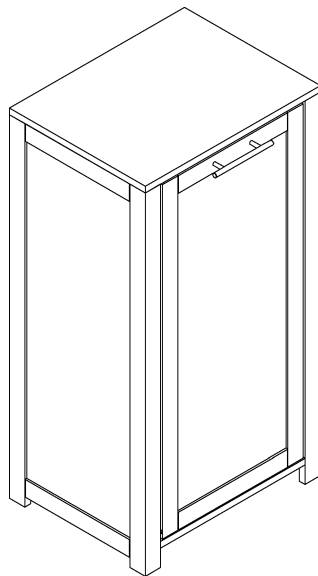
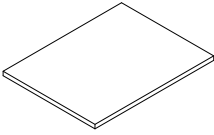
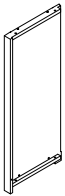
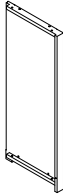
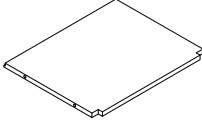
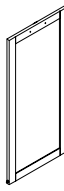
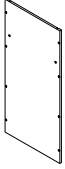

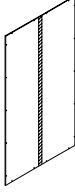
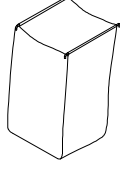


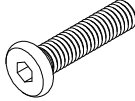
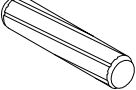
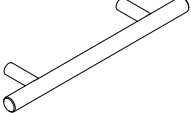

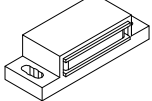

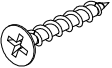

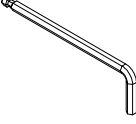

Linen Hamper



PART LIST

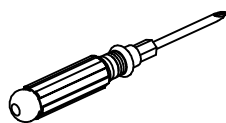
A 	B 	C 	D 	E 
Top Panel 1 PC	Left Panel 1 PC	Right Panel 1 PC	Bottom Panel 1 PC	Box Front Panel 1 PC
F 	G 	H 	I 	
Box Side Panel 2 PCS	Box Back Panel 1 PC	Back Panel 1 PC	Bag 1 PC	

HARDWARE LIST

#1 	#2 	#3 	#4 	#5 
$\text{\O} \frac{1}{4}'' \times 1''$ Long Bolt 8 PCS (Extra 1)	$\text{\O} 8 \times 30\text{mm}$ Wood Dowel 10 PCS (Extra 1)	Handle 1 PC	$\text{\O} 4 \times 22\text{mm}$ Short Bolt 2 PCS	Magnet 1 PC
#6 	#7 	#8 	#9 	#10 
$\text{\O} 3 \times 15\text{mm}$ Screw 2 PCS	Long Screw 16 PCS (Extra 2)	Short Screw 18 PCS (Extra 2)	Allen Wrench 1 PC	Safety Strap Kit 1 SET

ADDITIONAL TOOLS (Not Provided)

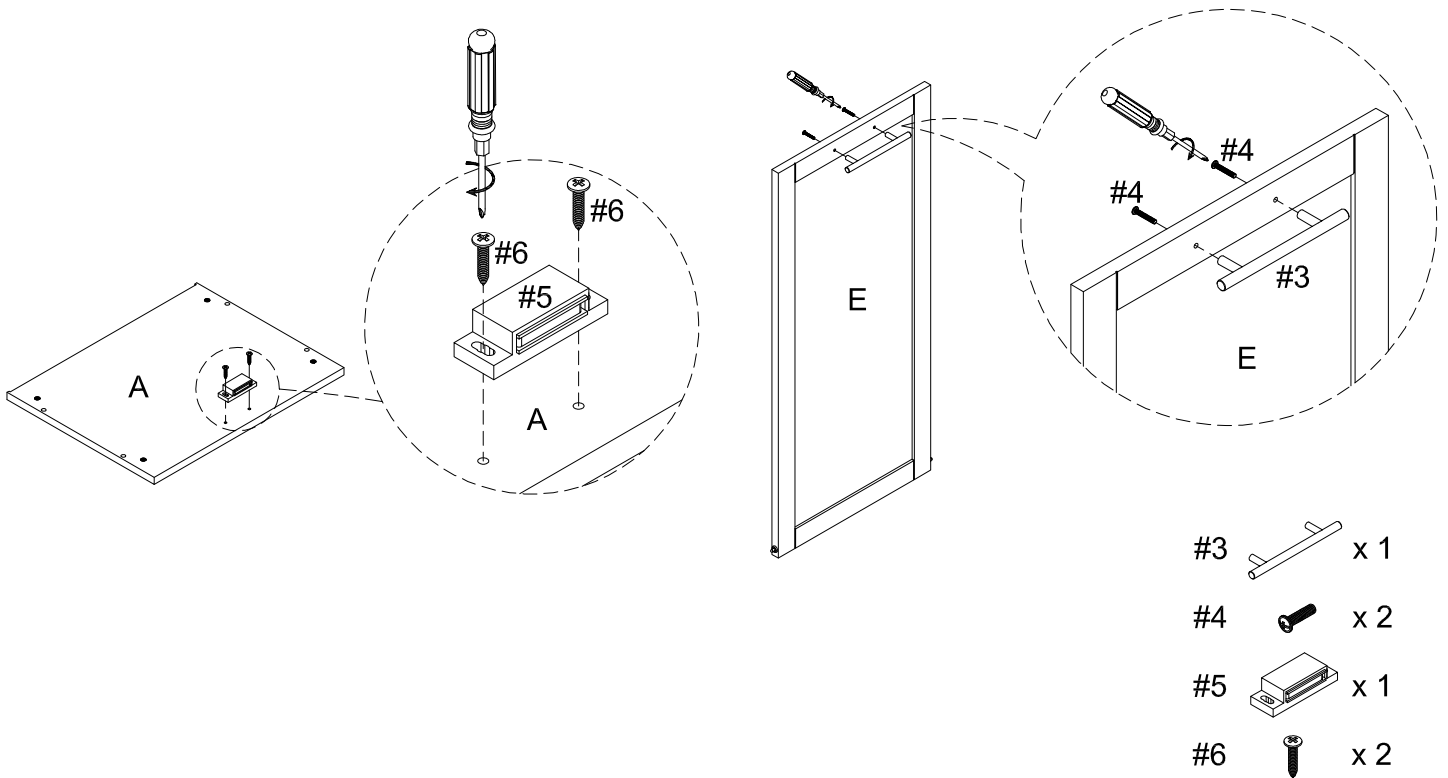
Note: It is not recommended to use power tools during assembly.



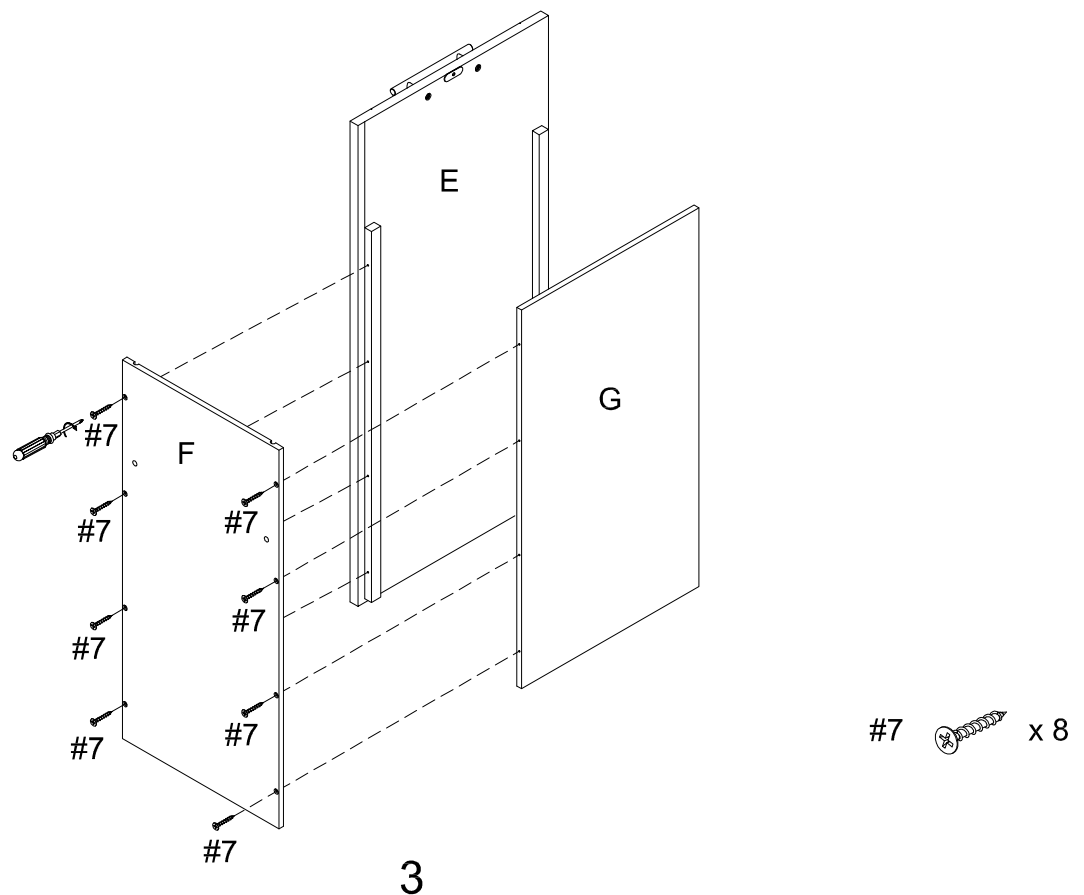
Phillips Head Screwdriver

Note: Wood dowels are intended for alignment. Additional clearance between wood dowel and pre-drilled hole is intentional for ease of assembly.

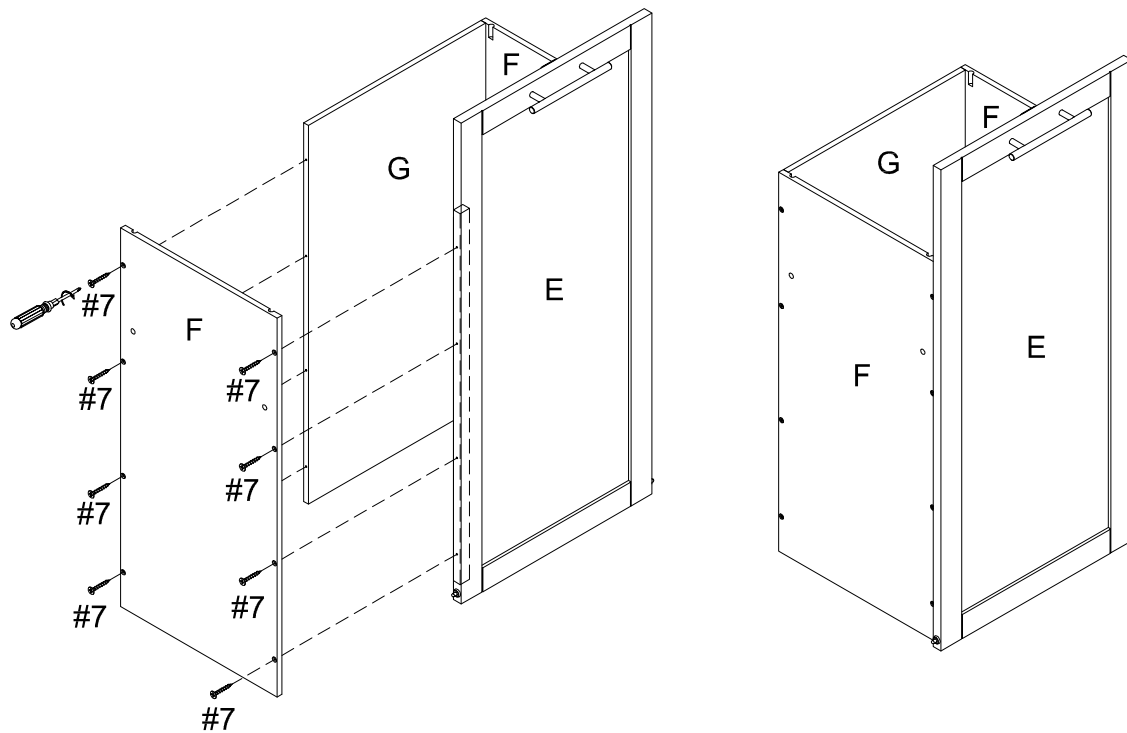
Step 1. Attach magnet (part #5) to top panel (part A) using screws (part #6) and phillips head screwdriver. Attach handle (part #3) to box front panel (part E) using short bolts (part #4) and phillips head screwdriver.



Step 2. Attach box side panel (part F) to box front panel (part E) and box back panel (part G) using long screws (part #7) and phillips head screwdriver.

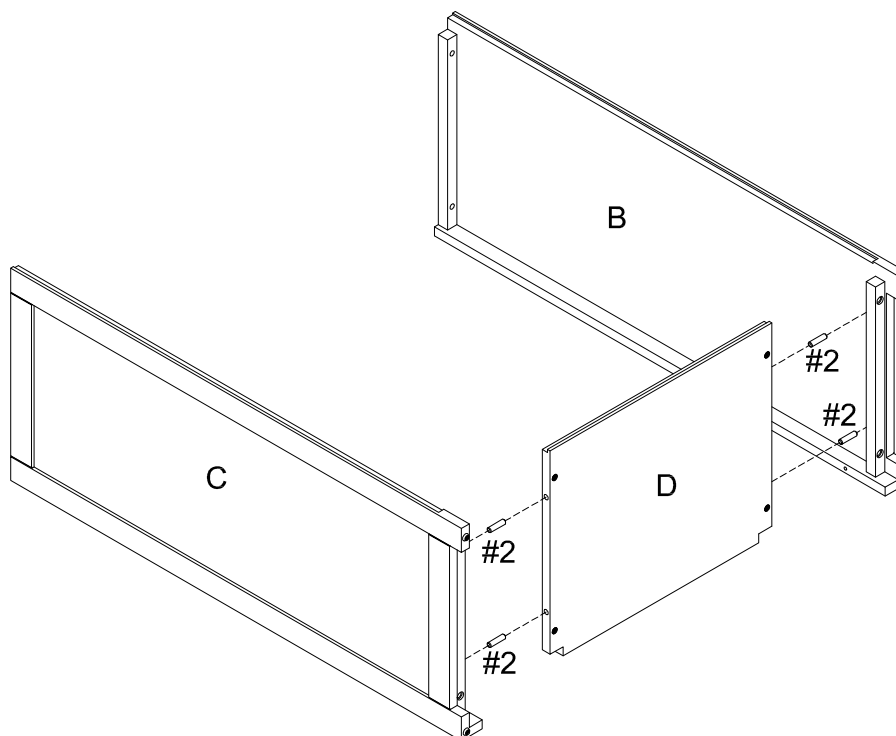


Step 3. Attach box side panel (part F) to assembled unit (parts E & G) using long screws (part #7) and phillips head screwdriver.



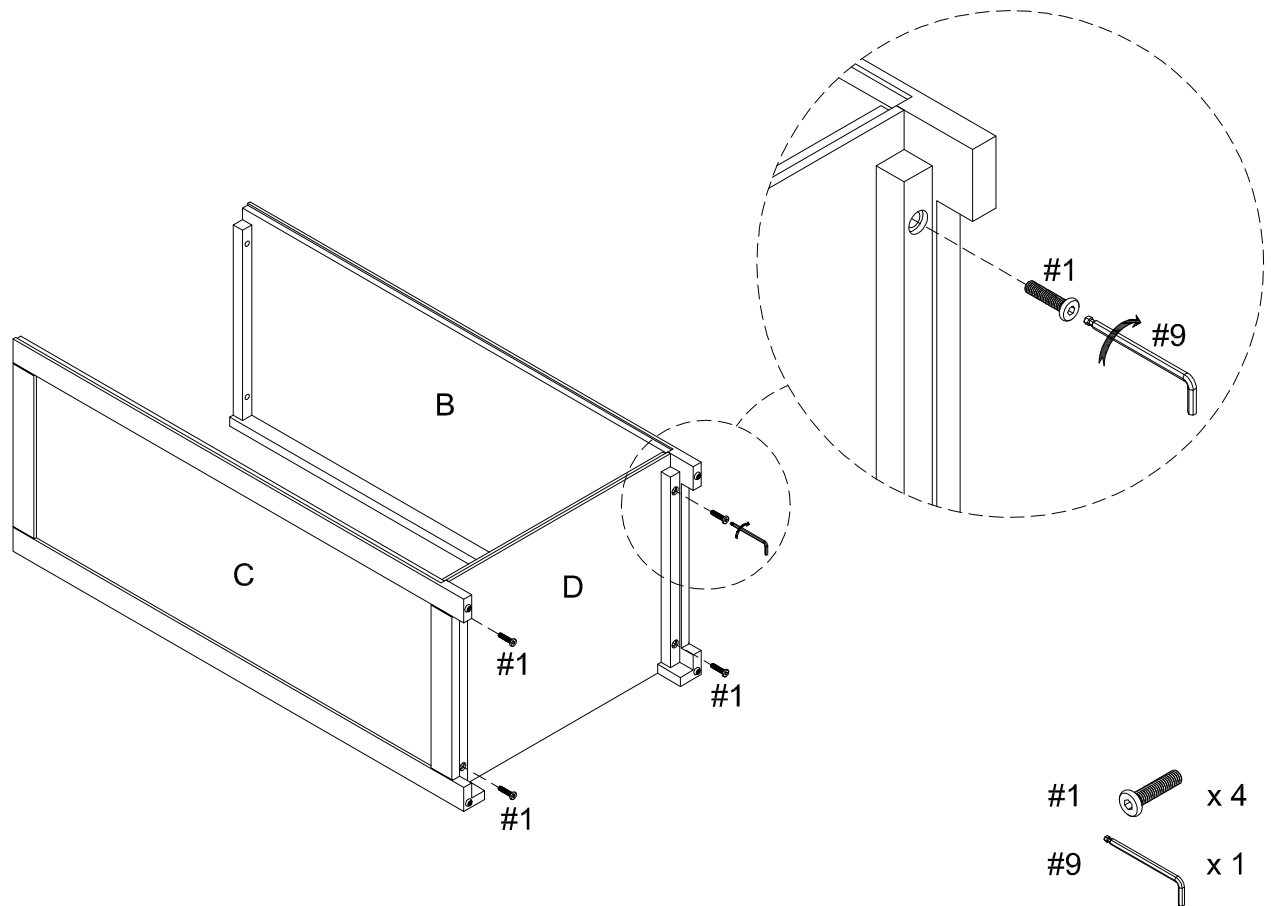
#7  x 8

Step 4. Attach left panel (part B) and right panel (part C) to bottom panel (part D) using wood dowels (part #2).

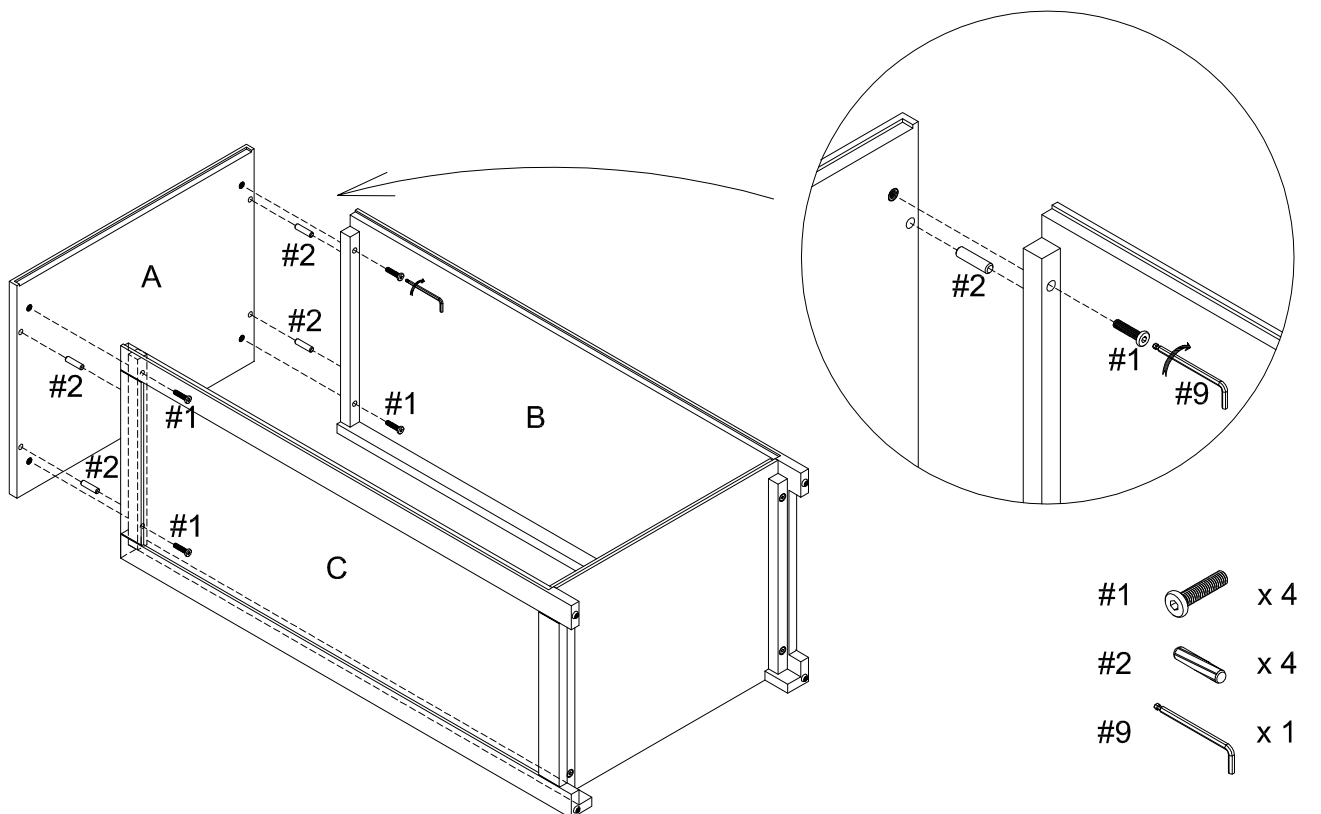


#2  x 4

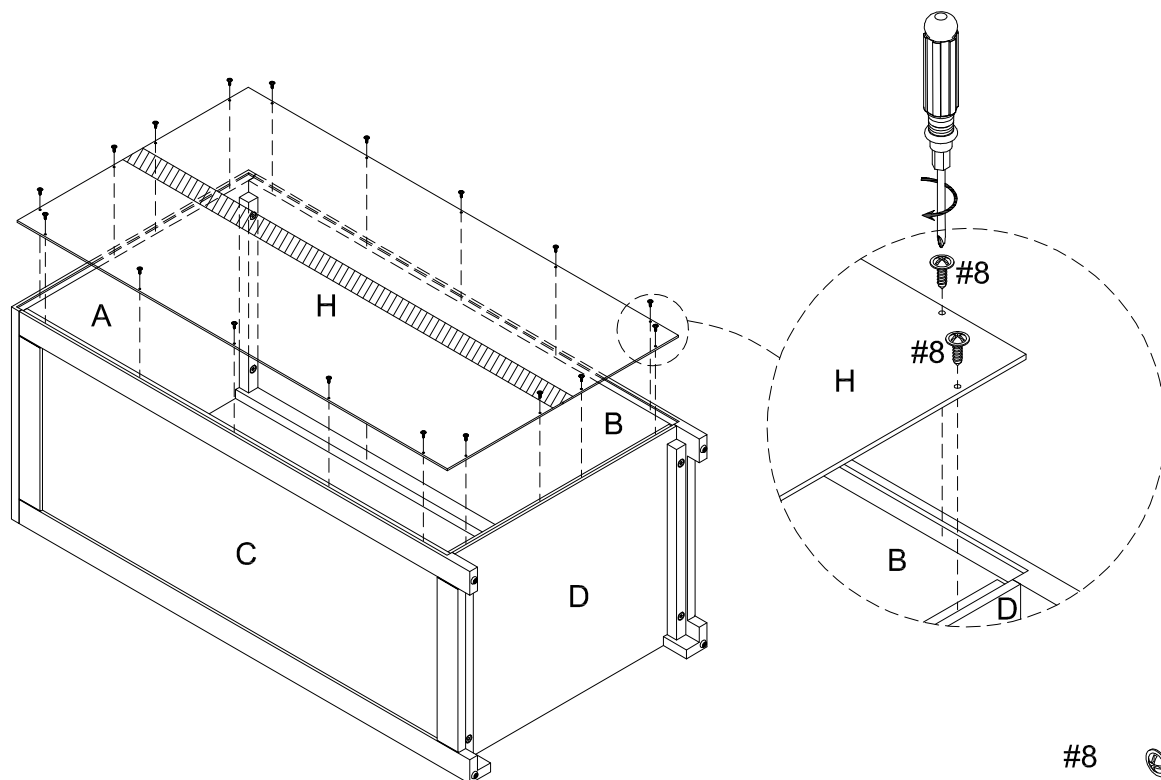
Step 5. Attach long bolts (part #1) to assembled unit (parts B, C & D) using allen wrench (part #9).



Step 6. Attach top panel (part A) to assembled unit (parts B & C) using wood dowels (part #2), long bolts (part #1) and allen wrench (part #9).



Step 7. Attach back panel (part H) to assembled unit (parts A, B, C & D) using short screws (part #8) and phillips head screwdriver.

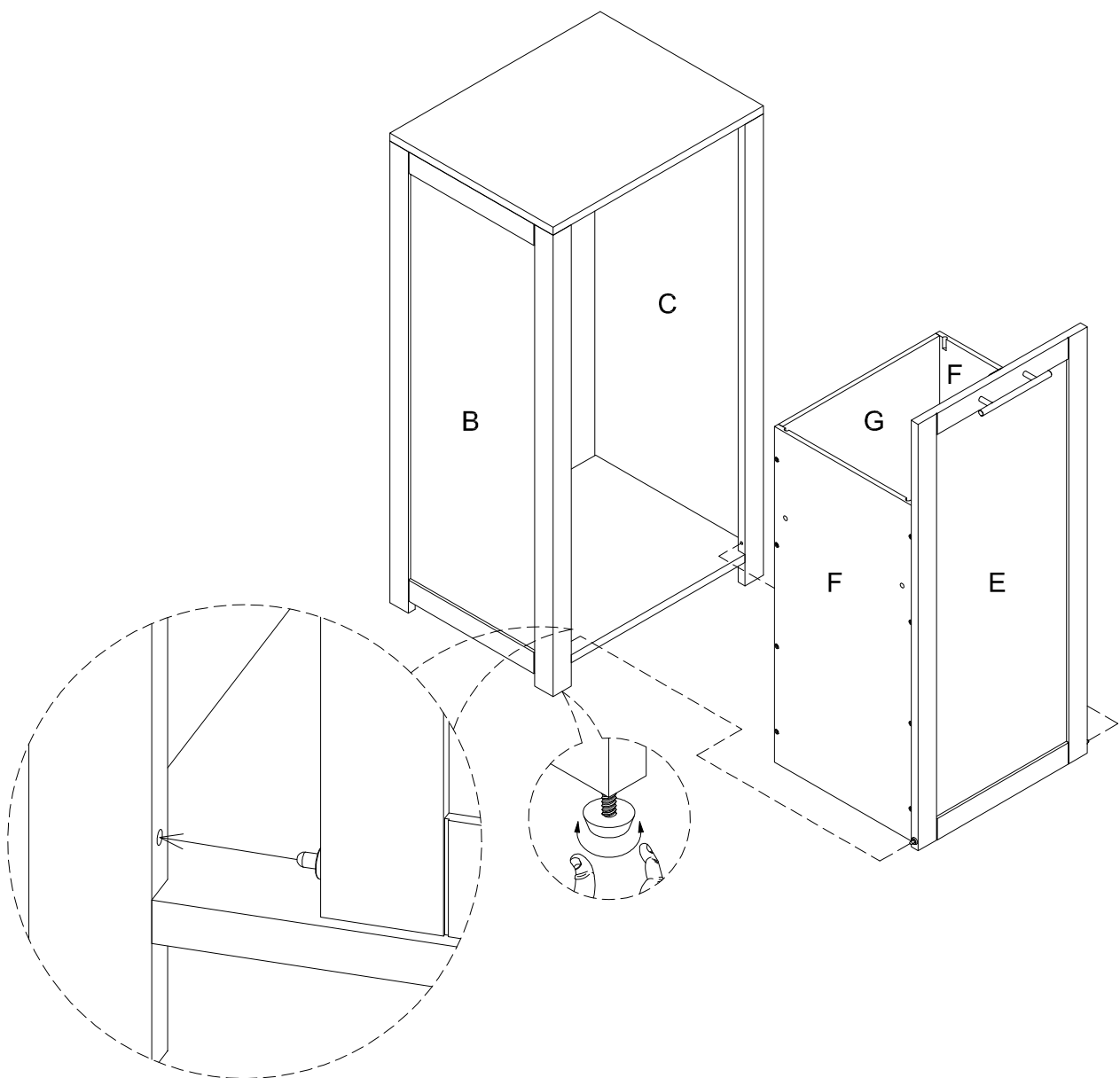


#8  x 18

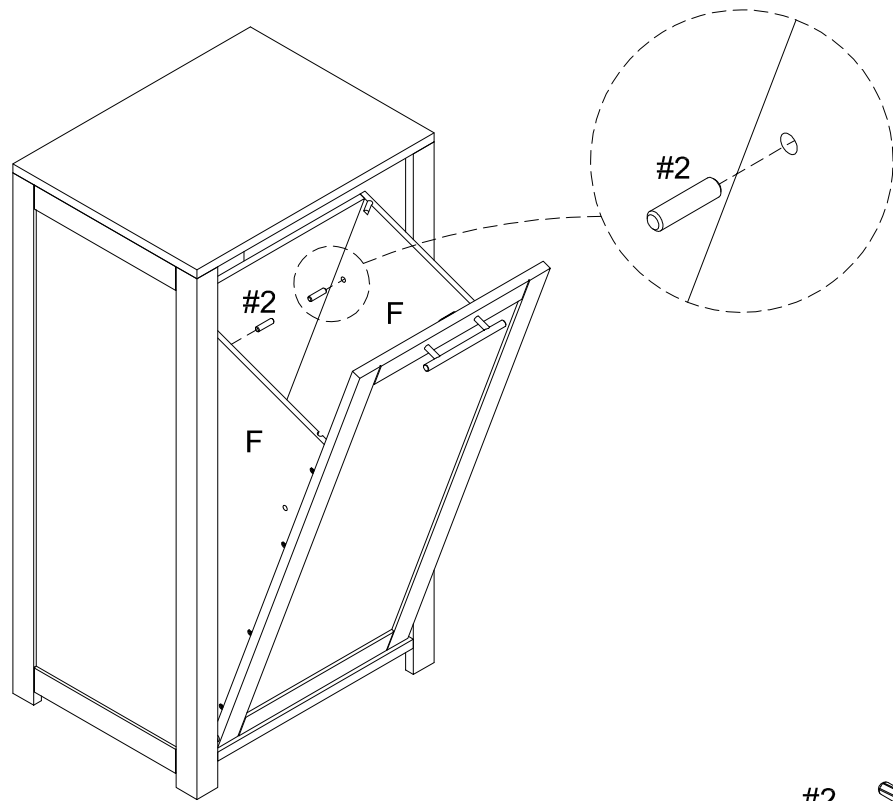
Step 8. Carefully turn unit upright. Attach assembled unit (parts E, F & G) by placing right pin hinge (pre-installed in door) in the pre-drilled hole of right panel (part C). Then depress the left spring-loaded pin hinge so it can be placed in the pre-dilled hole of left panel (part B).


Note: Be sure pin hinges are fully extended to secure in place.

Note: It is important to adjust levelers once fully assembled and upright. Extend adjustable leveler until it's firmly in contact with the floor. If relocating, adjust leveler as needed until it's firmly in contact with the floor in new location.



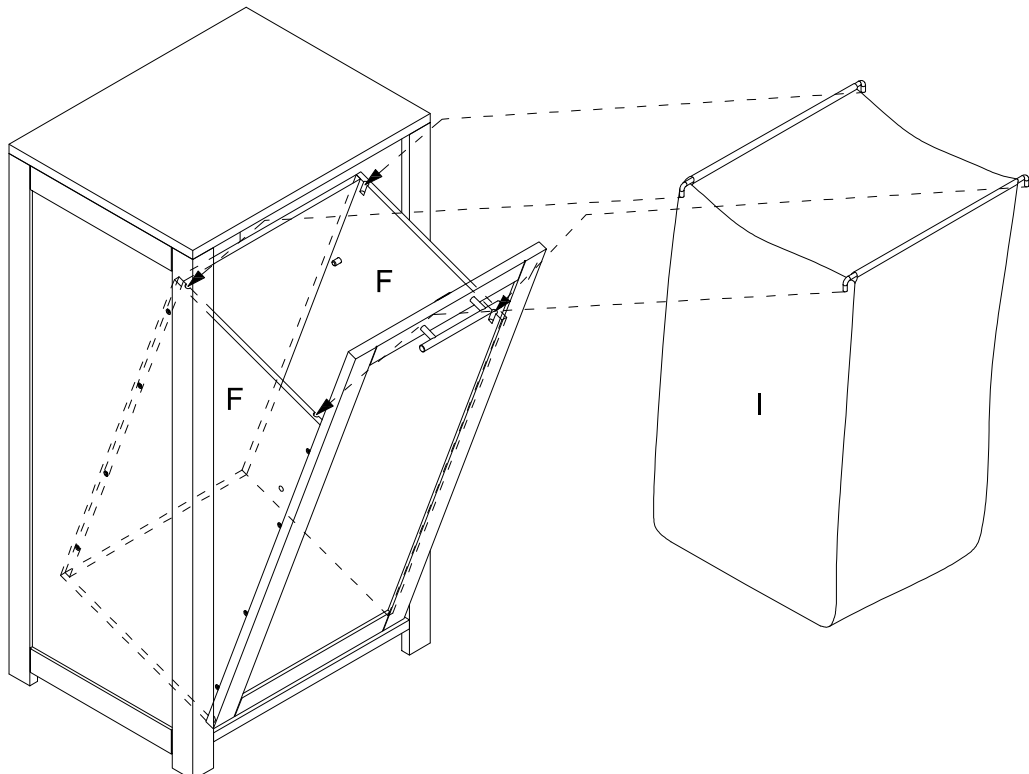
Step 9. Insert wood dowels (part #2) into box side panels (part F).









#2  x 2

Step 10. Attach bag (part I) into the box as shown.

Important: Safety strap kit (part #10) must be installed to prevent tipping, damage and/or injury.



Step 11.

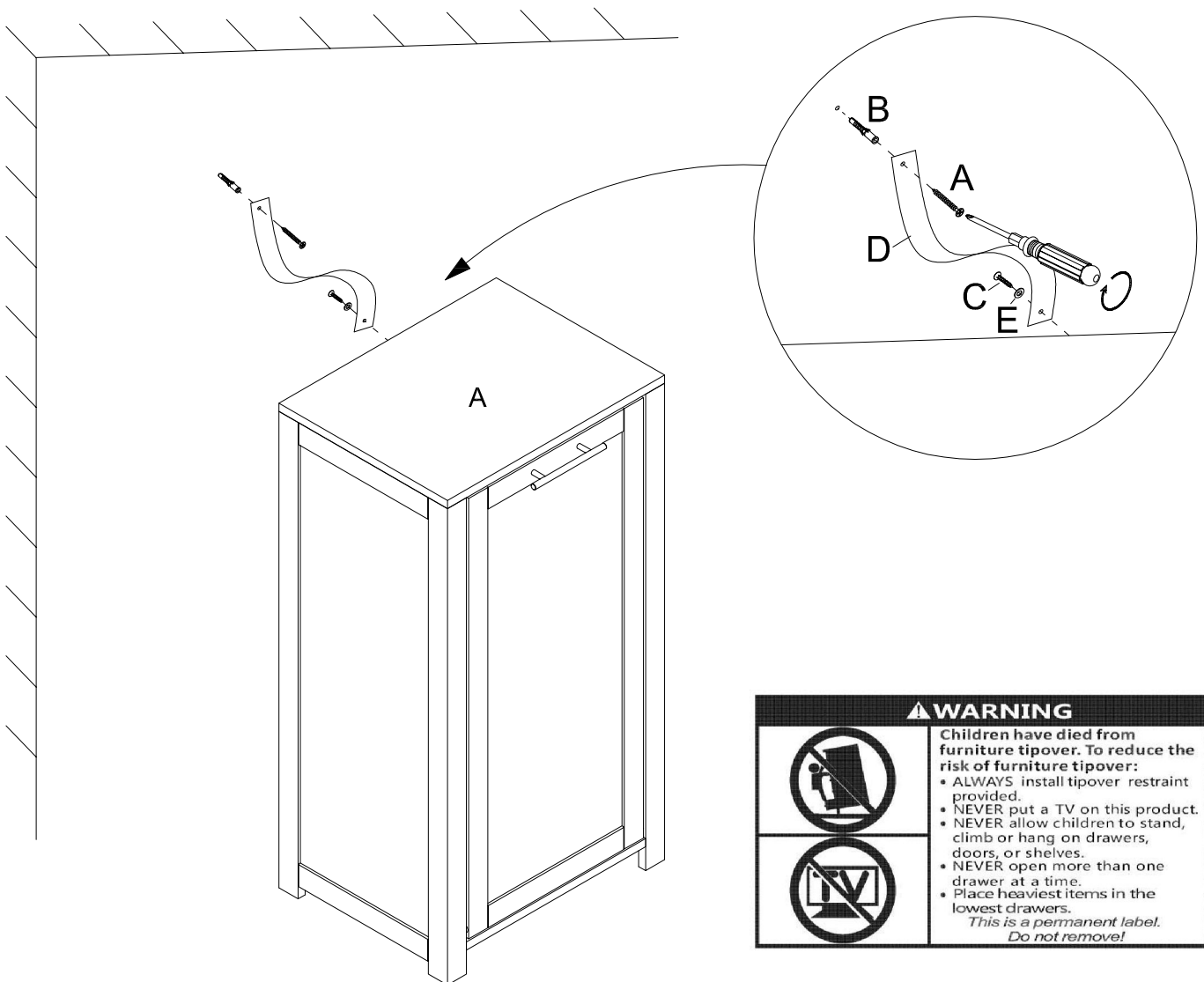
#10	A	B	C	D	E
	 1-1/2"xΦ4xD8	 1 PC	 5/8"xΦ3xD8	 1 PC	 1 PC
Safety Strap Kit 1 SET	Long Screw 1 PC	Wall Anchor 1 PC	Short Screw 1 PC	Safety Wall Strap 1 PC	Flat Washer 1 PC

SAFETY WALL STRAP INSTALLATION

Note: It is highly recommended to install this safety strap kit to prevent tipping, damage and/or injury.

1. Insert short screw (C) through flat washer (E) and safety wall strap (D) and attach to top panel (part A) using phillips head screwdriver.
2. Drill a 11/32" hole where you want to secure the unit. The drilled hole will be at the same height as the hole in top panel (part A) where safety wall strap (D) is attached. Tap wall anchor (B) into the hole.
3. Insert long screw (A) through safety wall strap (D) into wall anchor (B) using phillips head screwdriver.

Note: This item is not intended for clothing storage use.



▲ WARNING	
	Children have died from furniture tipover. To reduce the risk of furniture tipover:
	<ul style="list-style-type: none"> • ALWAYS install tipover restraint provided. • NEVER put a TV on this product. • NEVER allow children to stand, climb or hang on drawers, doors, or shelves. • NEVER open more than one drawer at a time. • Place heaviest items in the lowest drawers.
<i>This is a permanent label. Do not remove!</i>	