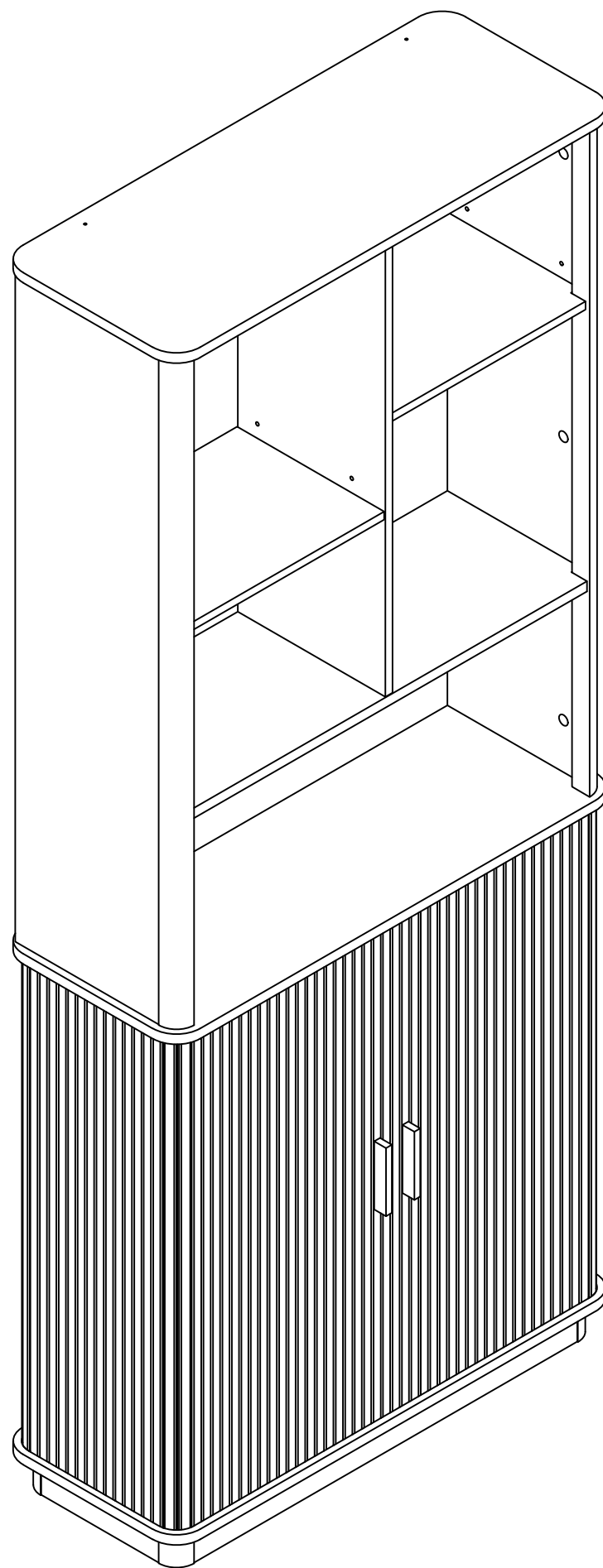


Tambour Door Storage Cabinets

Assembly Instruction



INTRODUCTION

Thank you for purchasing our products. Please read the instructions carefully before installation and keep it in a safe place for future reference. If you need any assistance or support, please feel free to contact our customer support team.

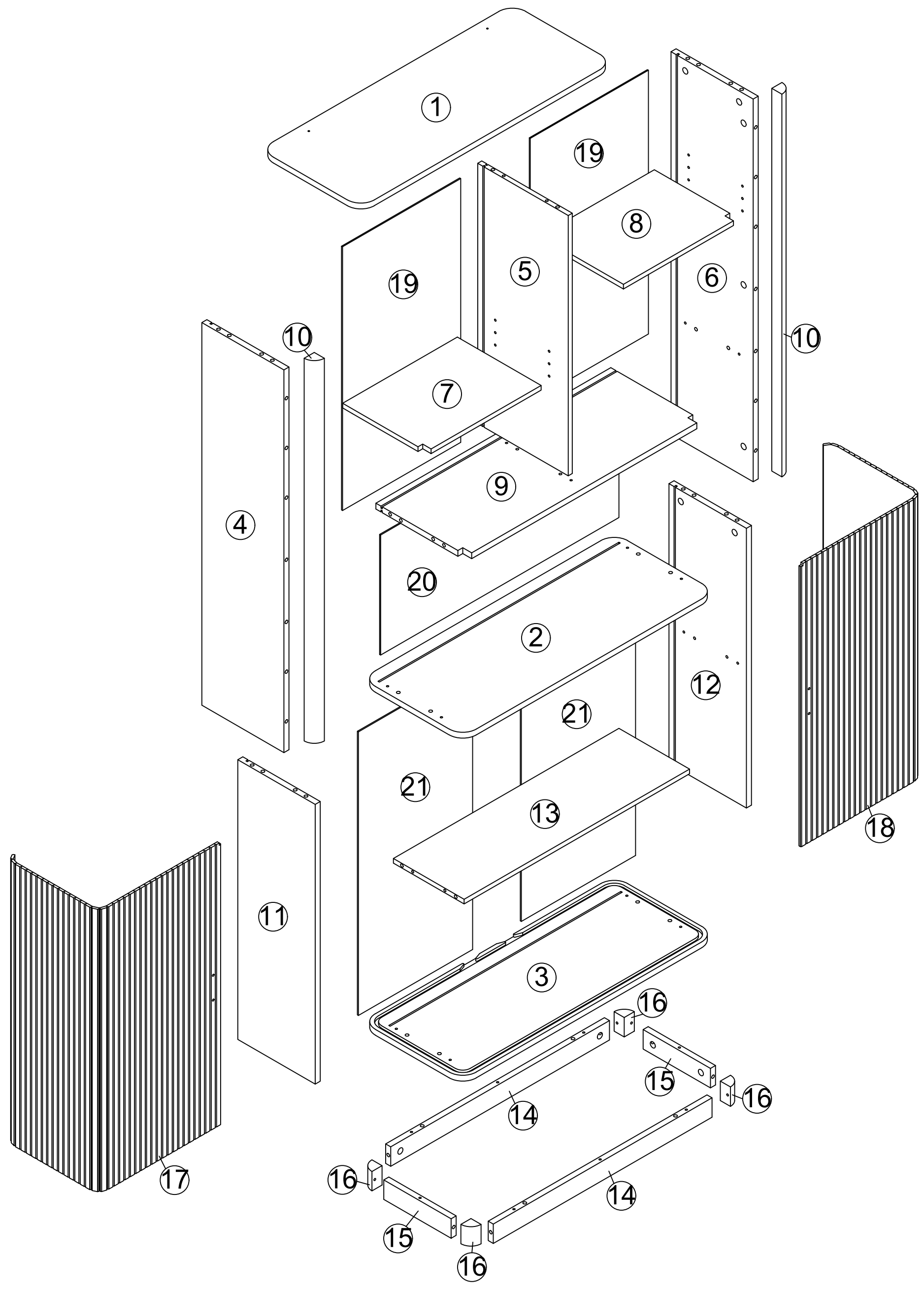
PRECAUTIONS

1. There are many components and accessories in the package. Each component and accessory is labeled with a letter or a number, check carefully before using any of them. Keep them away from children to prevent accidents.
2. Please install the product on a clean and soft underlay (such as carpet or cardboard) to avoid scratching or damaging the surface of the product.
3. The main components of the product is relatively heavy. Please pay attention to safety during installation.
4. The product is not stable during installation. Please do not move it randomly before it is completely installed.
5. This product requires two people to install.
6. If you have any questions during installation, please contact the customer service in time.

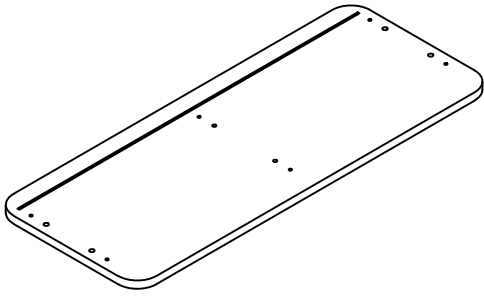
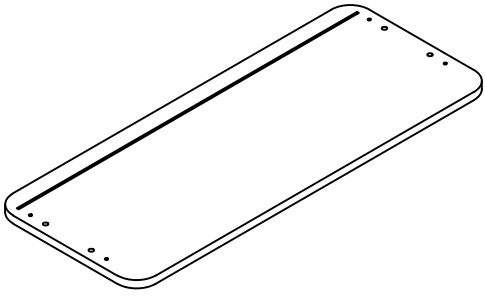
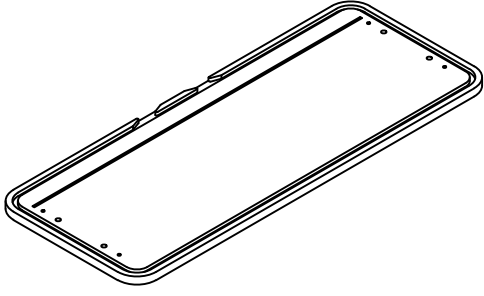
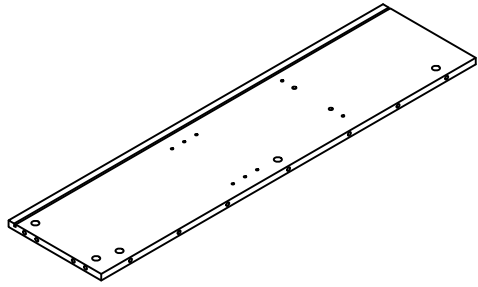
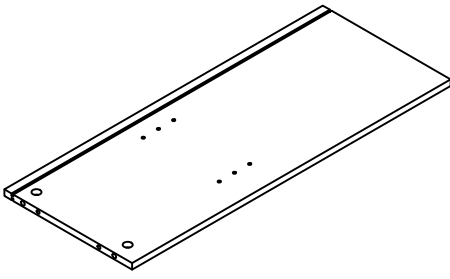
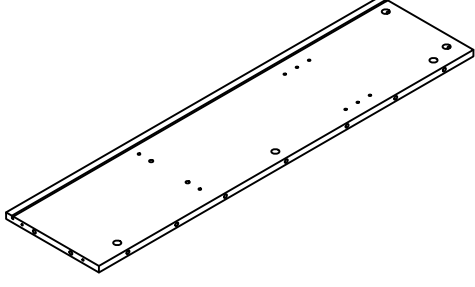
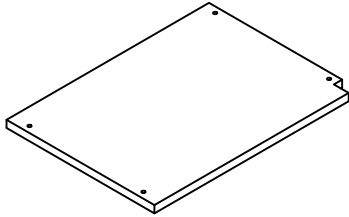
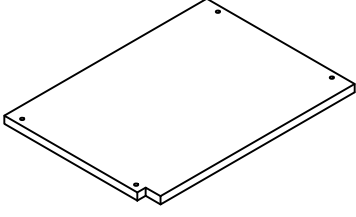
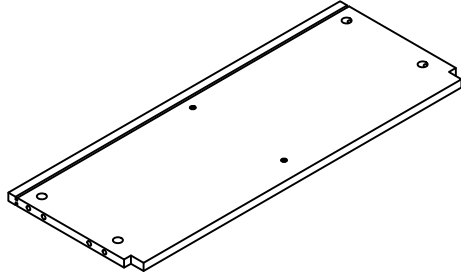
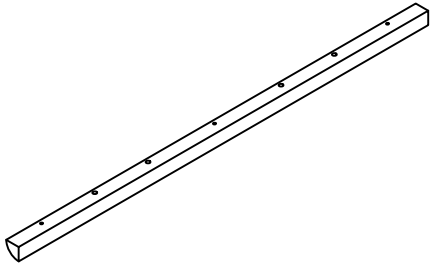
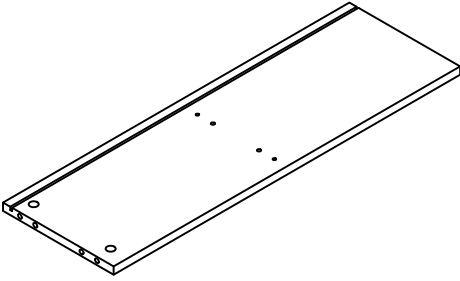
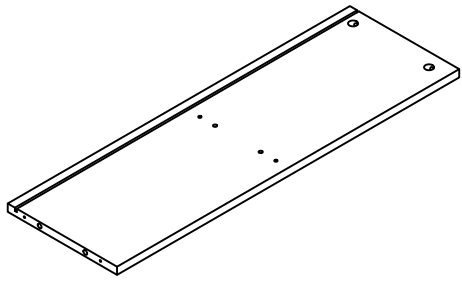
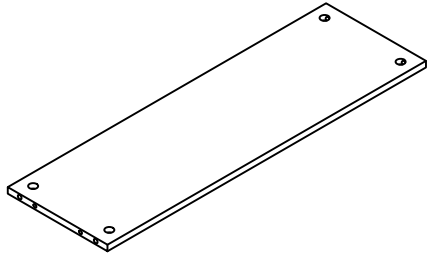
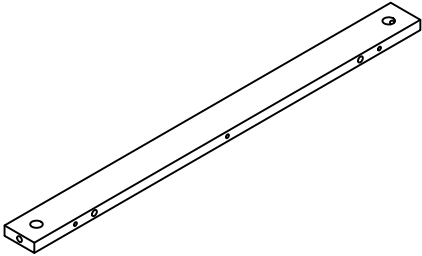
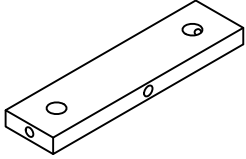
*PLEASE BE SURE TO FOLLOW THE INSTALLATION STEPS IN THE MANUAL TO AVOID UNNECESSARY LOSSES CAUSED BY IMPROPER INSTALLATION.

*IF YOU NEED FURTHER ASSISTANCE, PLEASE CONTACT THE CUSTOMER SERVICE ONLINE.

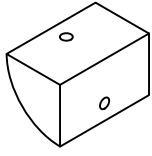
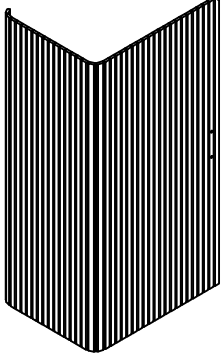
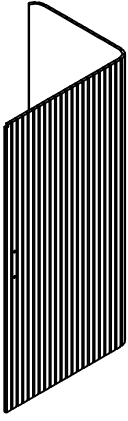
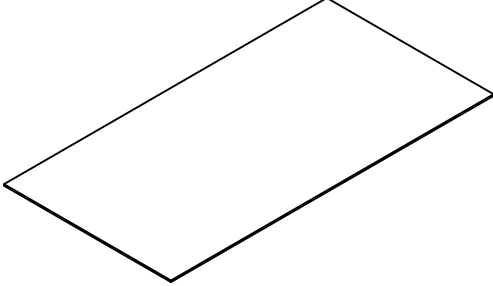
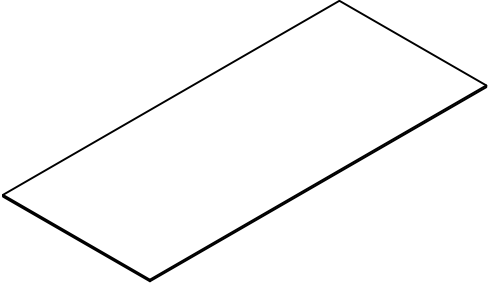
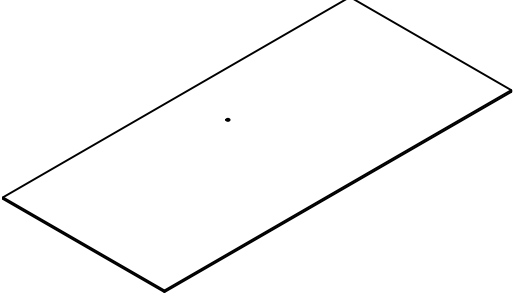
Parts List





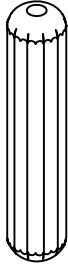


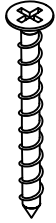
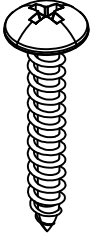
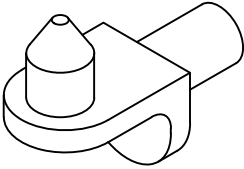

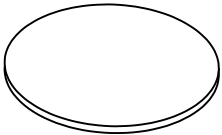
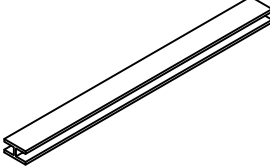
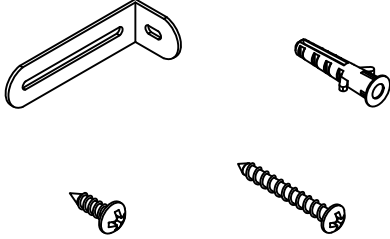
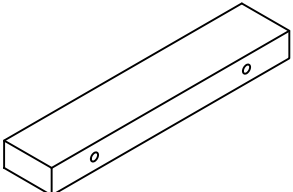

Parts List

<p>①</p>  <p>X1</p>	<p>②</p>  <p>X1</p>	<p>③</p>  <p>X1</p>
<p>④</p>  <p>X1</p>	<p>⑤</p>  <p>X1</p>	<p>⑥</p>  <p>X1</p>
<p>⑦</p>  <p>X1</p>	<p>⑧</p>  <p>X1</p>	<p>⑨</p>  <p>X1</p>
<p>⑩</p>  <p>X2</p>	<p>⑪</p>  <p>X1</p>	<p>⑫</p>  <p>X1</p>
<p>⑬</p>  <p>X1</p>	<p>⑭</p>  <p>X2</p>	<p>⑮</p>  <p>X2</p>

Parts List

<p>①⑥</p>  <p>X4</p>	<p>①⑦</p>  <p>X1</p>	<p>①⑧</p>  <p>X1</p>
<p>①⑨</p>  <p>X2</p>	<p>②⑩</p>  <p>X1</p>	<p>②①</p>  <p>X2</p>

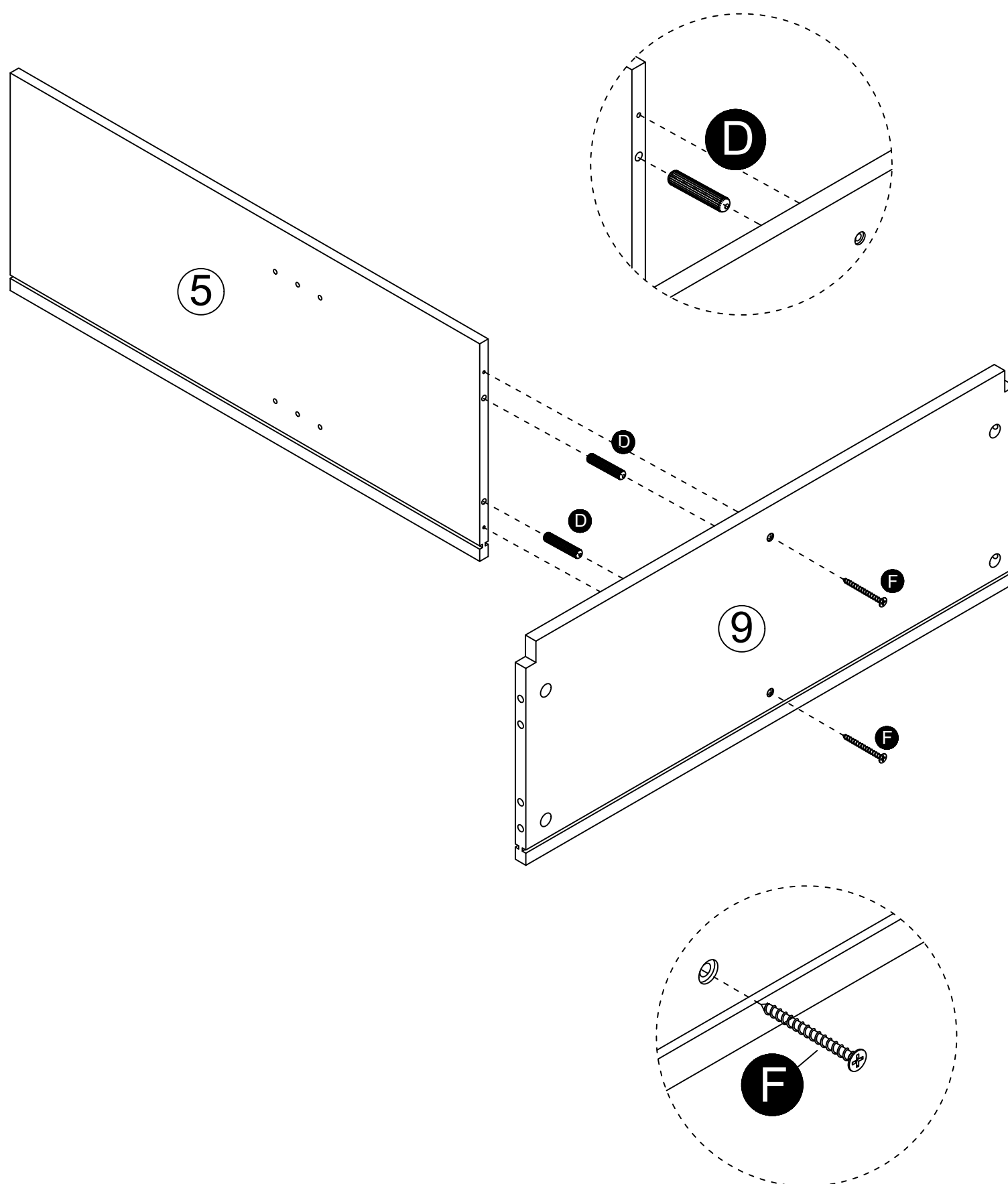
Hardware List

<p>A</p>  <p>Ø15X9.5mm X32</p>	<p>B</p>  <p>Ø6.5X35mm X32</p>	<p>C</p>  <p>Ø8X30mm X32</p>
<p>D</p>  <p>Ø6X30mm X8</p>	<p>E</p>  <p>Ø4X42mm X8</p>	<p>F</p>  <p>Ø4X35mm X10</p>
<p>G</p>  <p>Ø4X20mm X4</p>	<p>H</p>  <p>21X9X16mm X8</p>	<p>I</p>  <p>Ø3x14mm X18set</p>
<p>J</p>  <p>Ø21 X26</p>	<p>K</p>  <p>720X12X6.5mm X1</p>	<p>L</p>  <p>X2set</p>
<p>M</p>  <p>100X20X11mm X2</p>	<p>N</p>  <p>Ø3X14mm X2</p>	

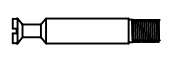
STEP 1

 **D** X2

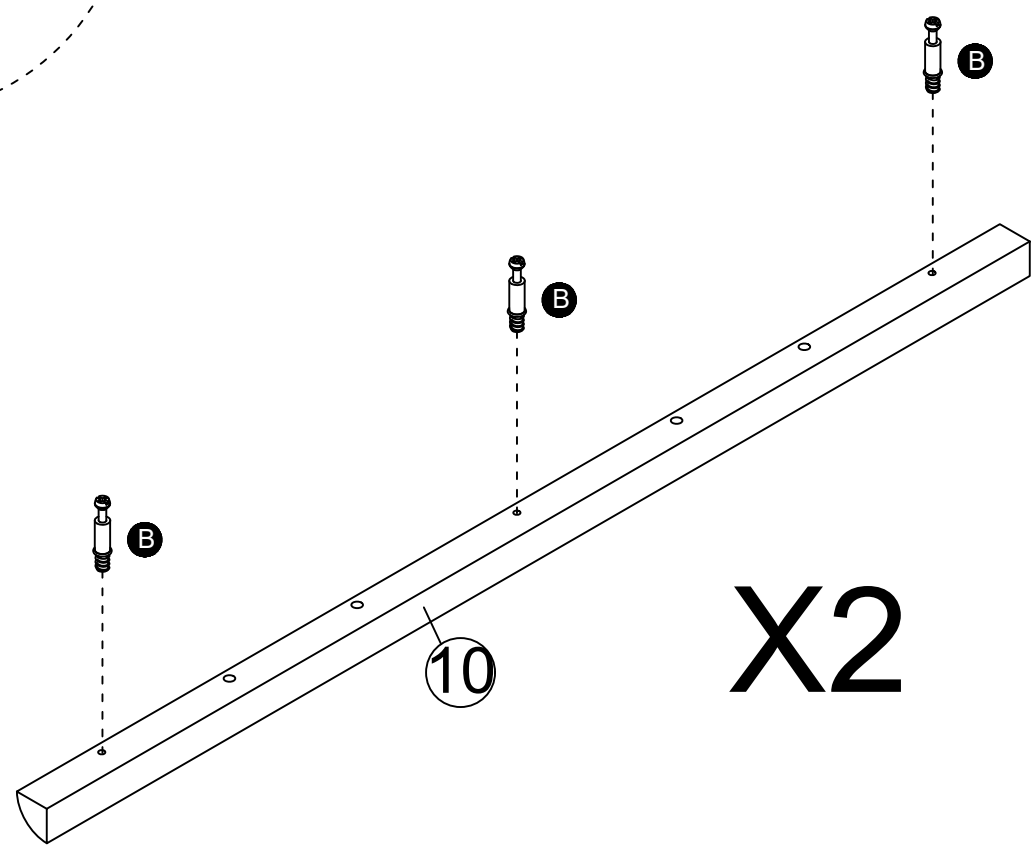
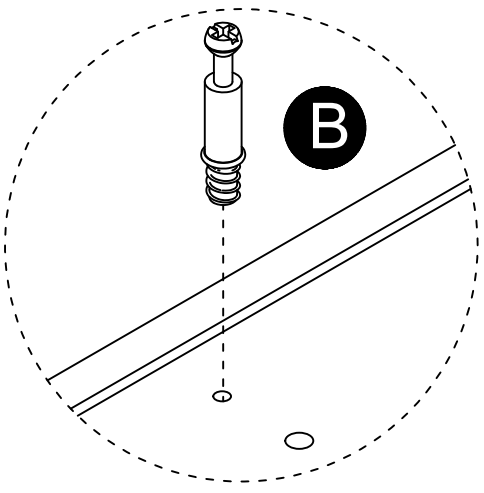
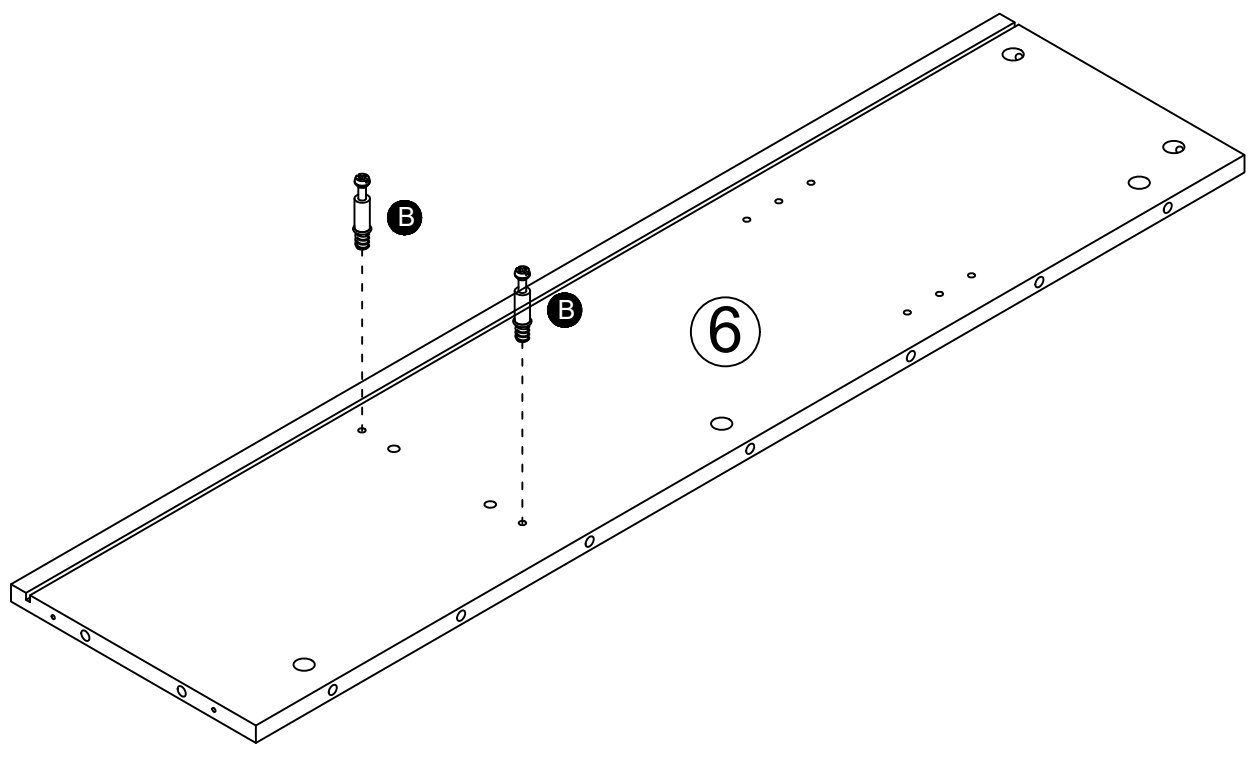
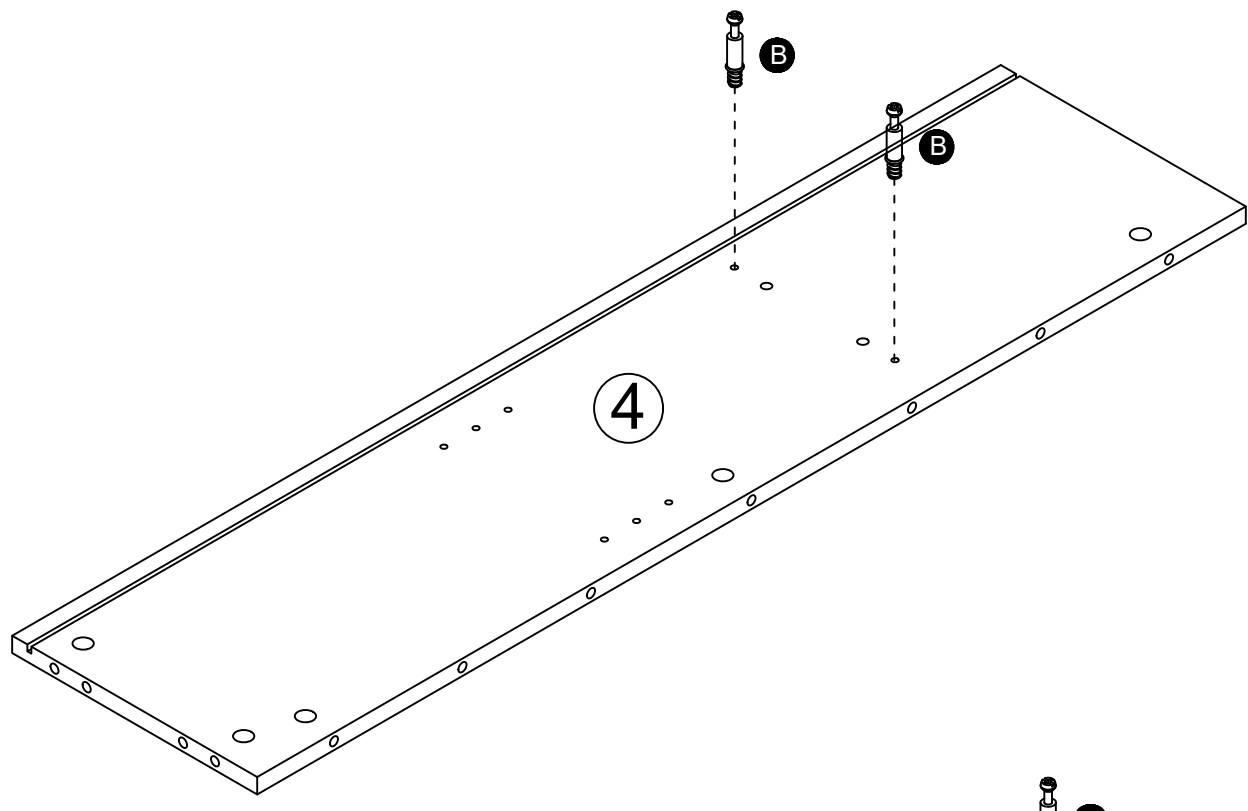
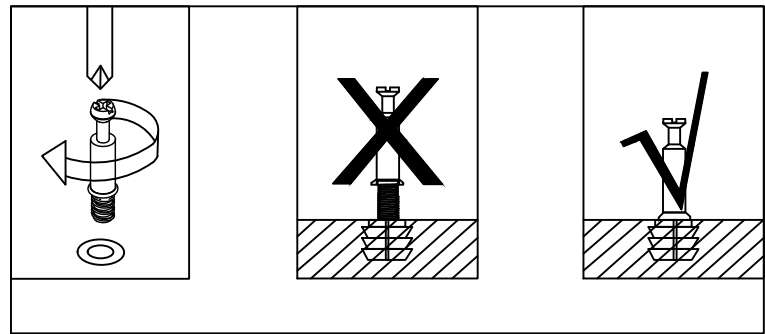
 **F** X2



STEP 2



B X10



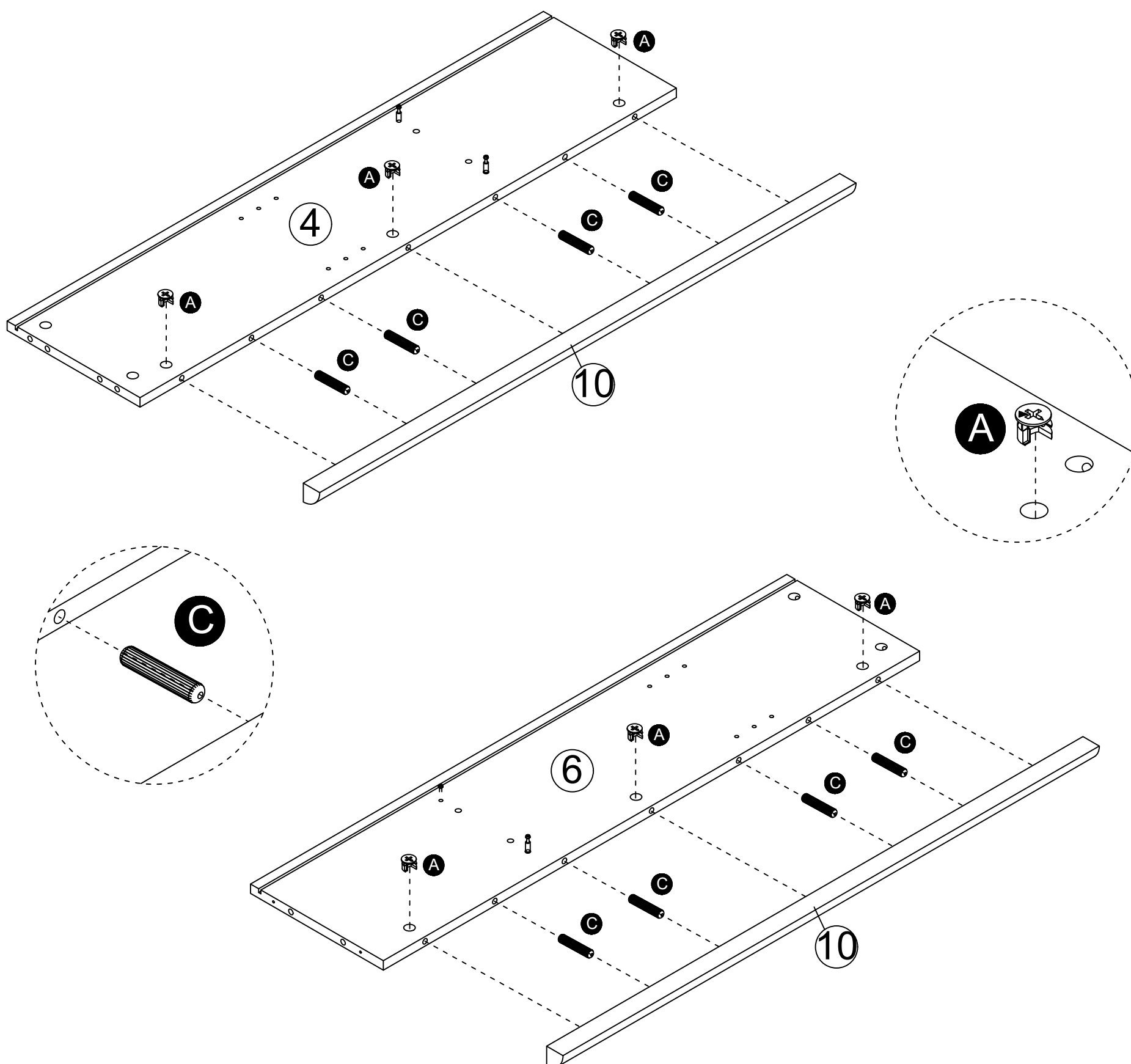
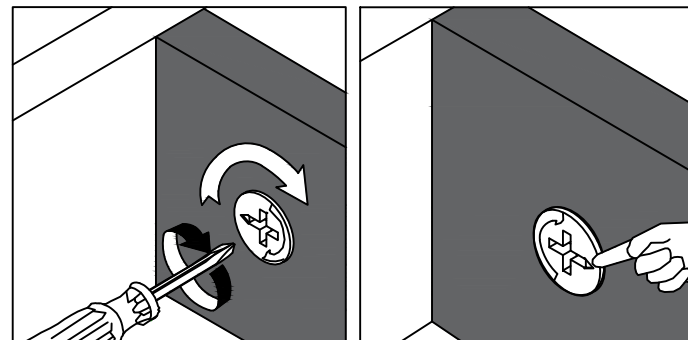
STEP 3



A X6



C X8



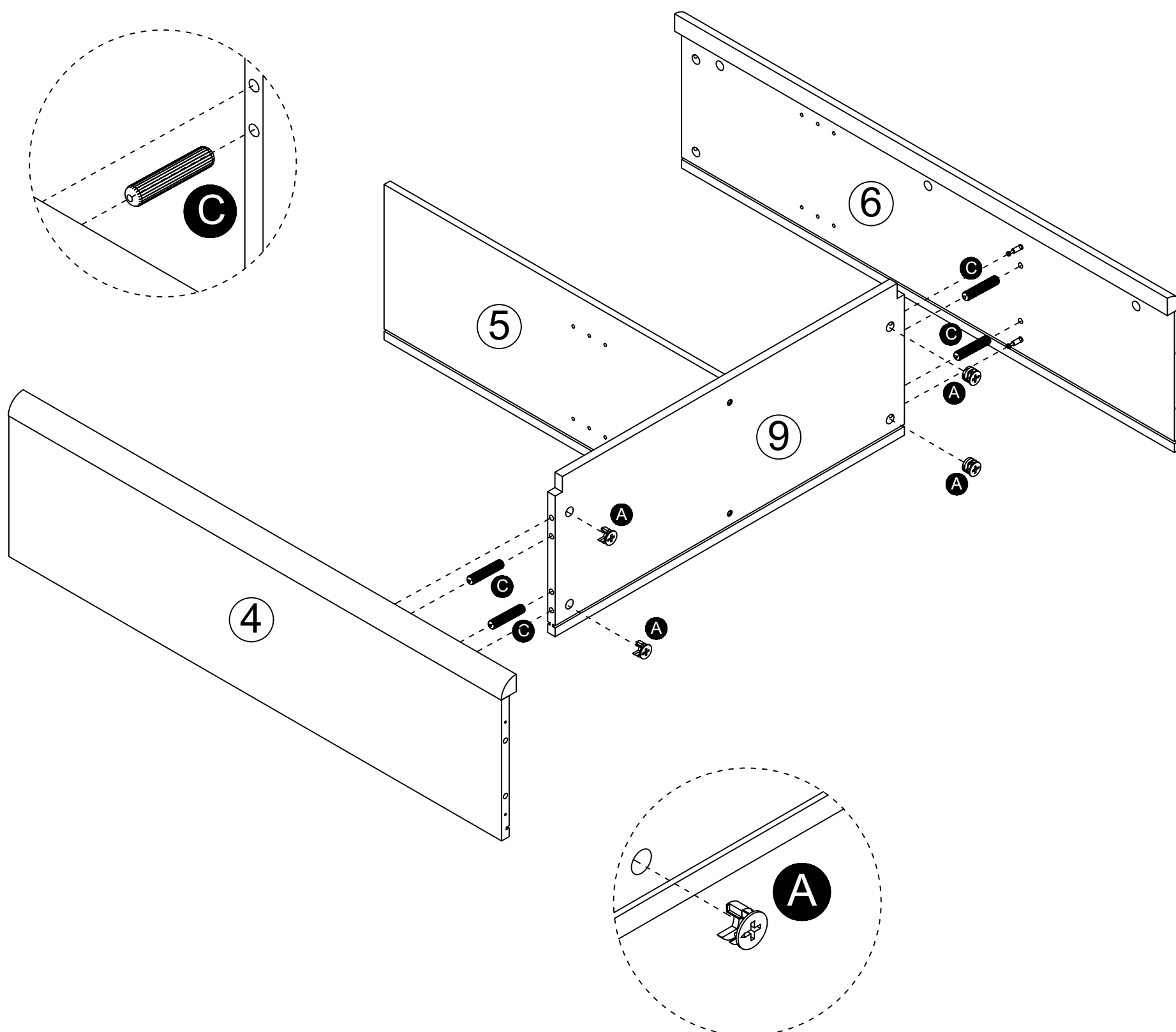
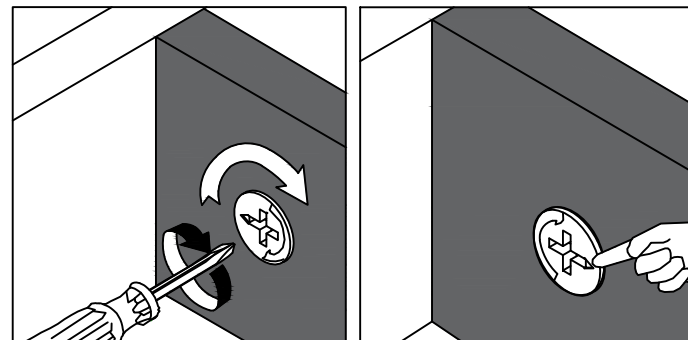
STEP 4



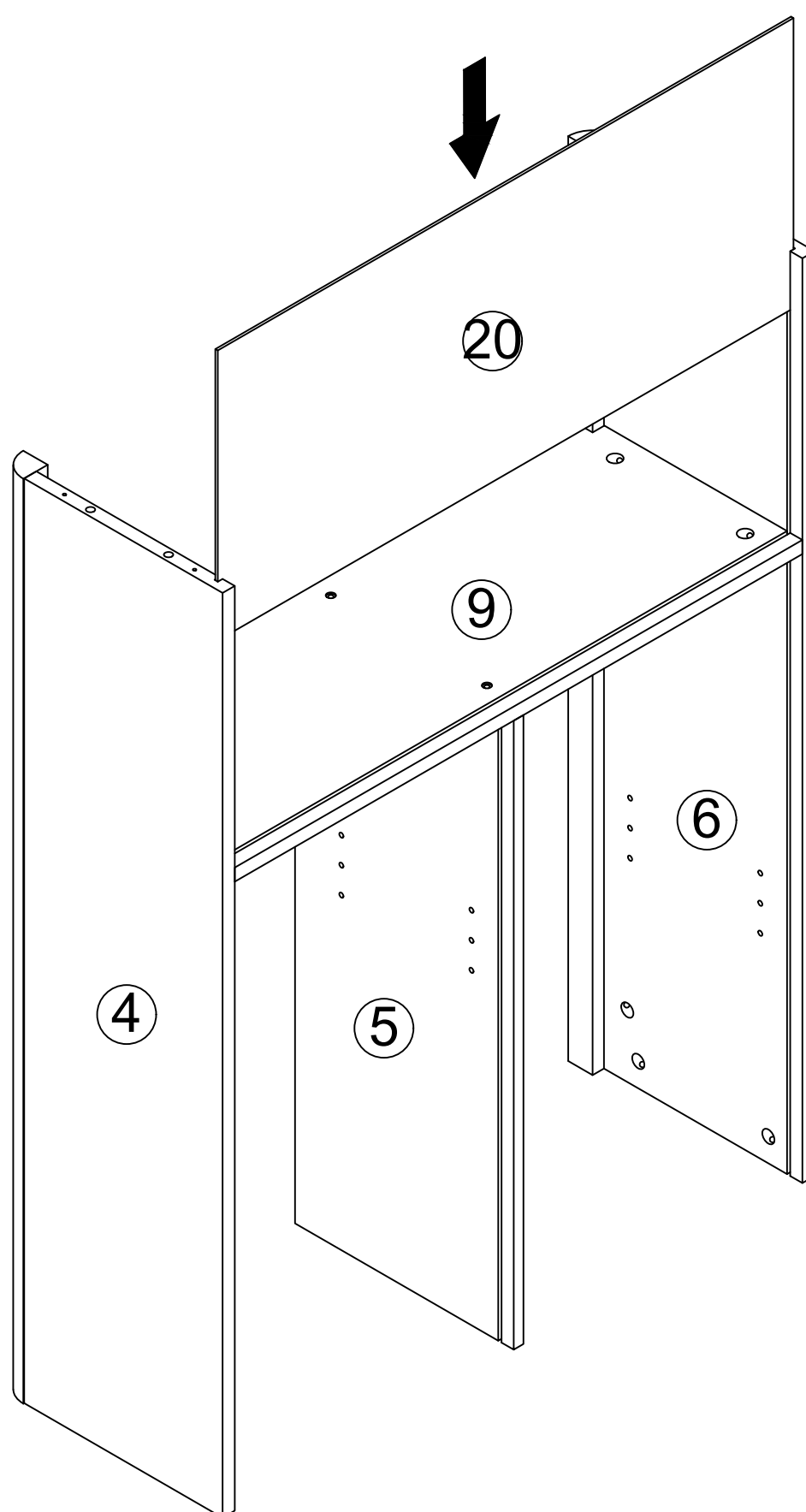
A X4



C X4



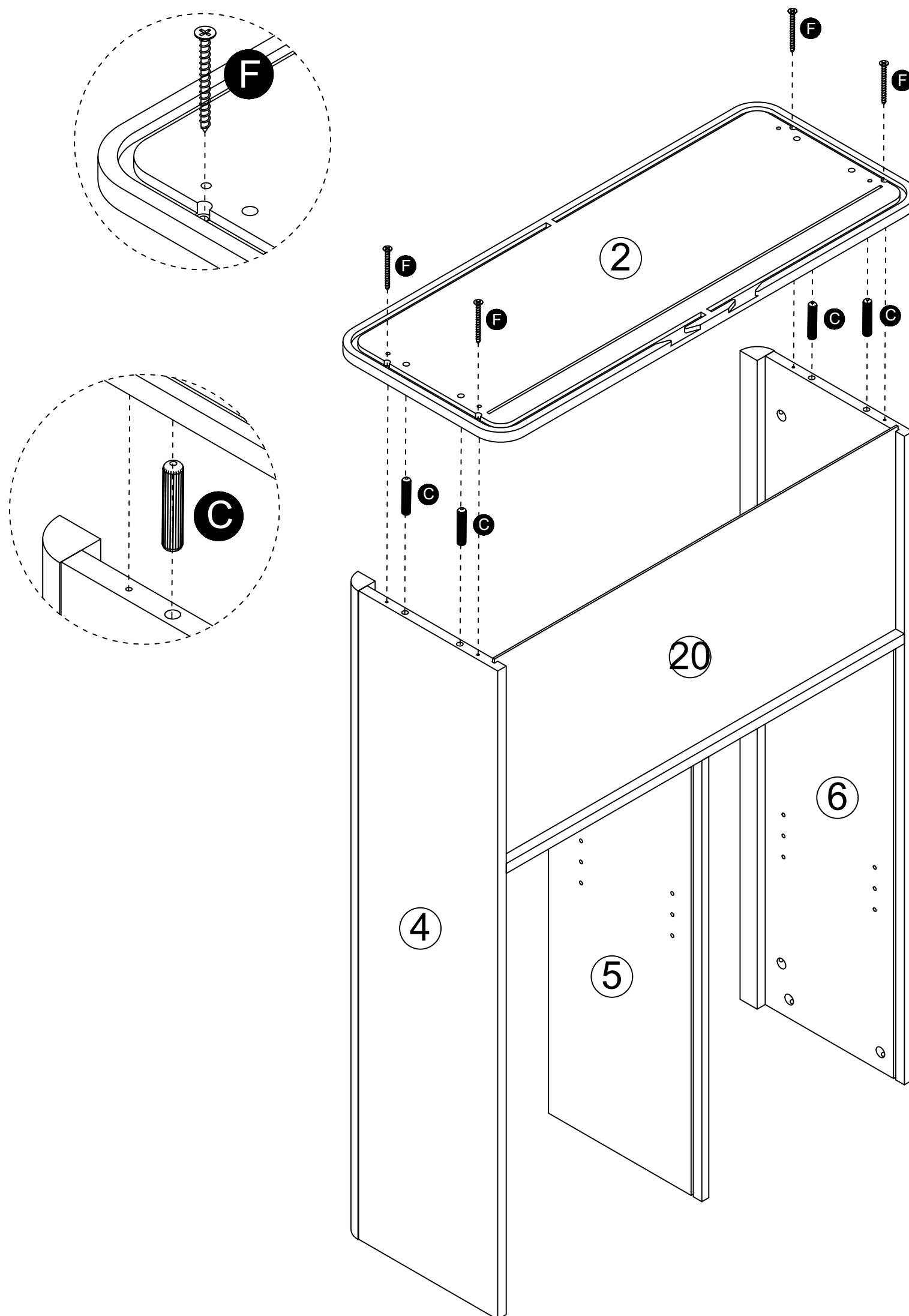
STEP 5



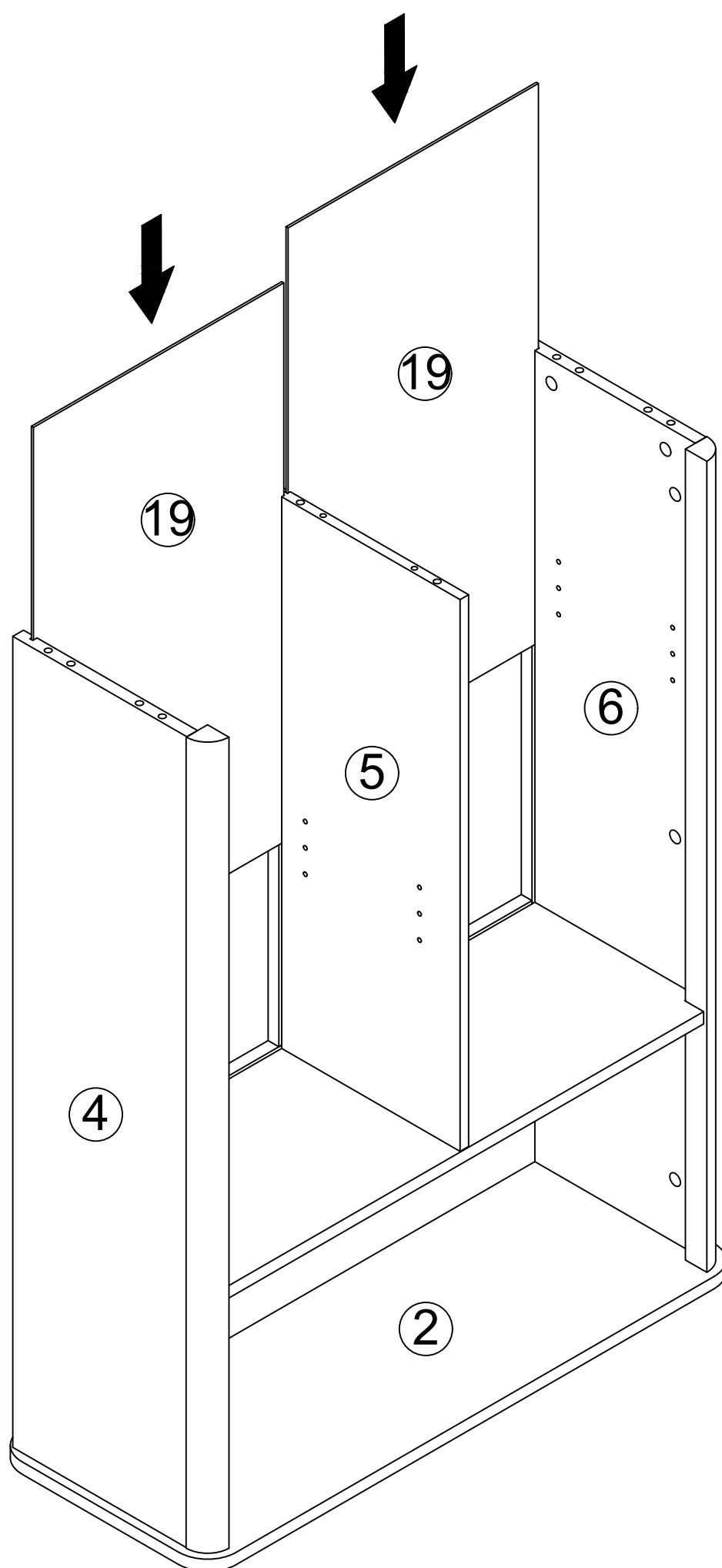
STEP 6

 **C** X4

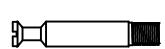
 **F** X4



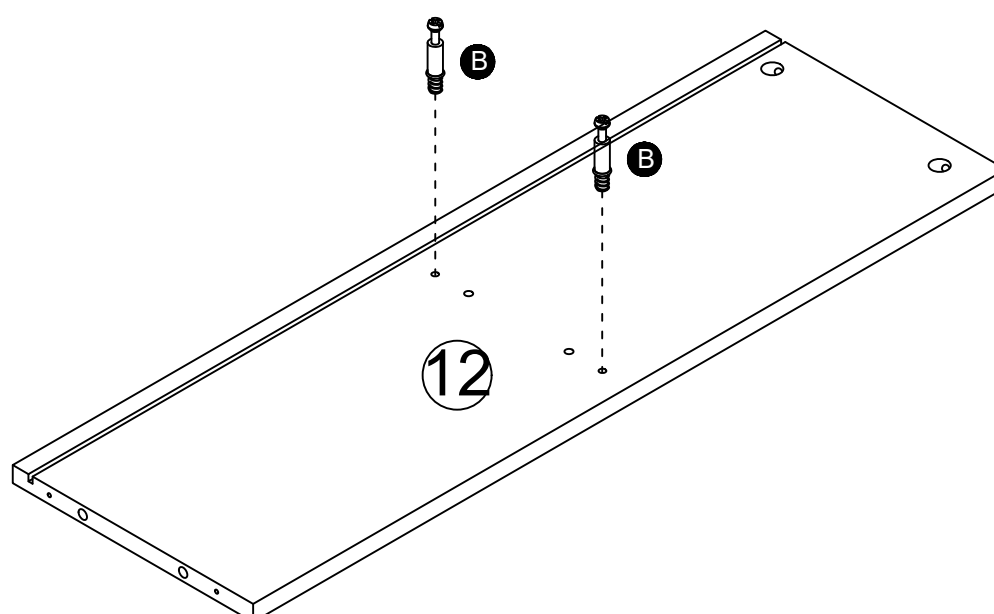
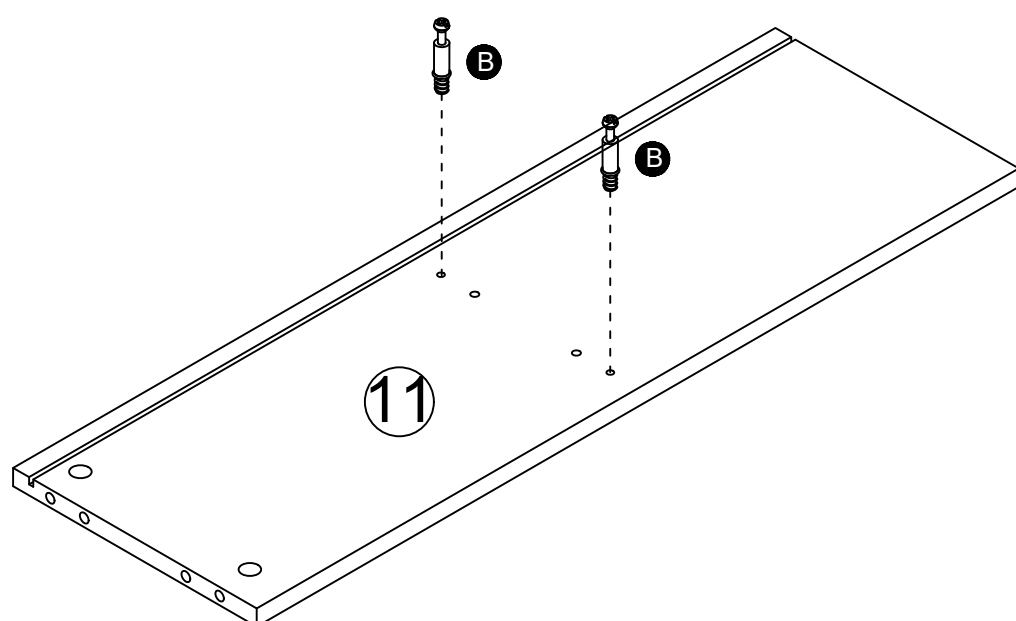
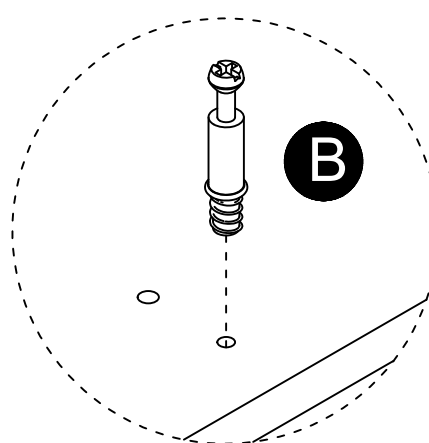
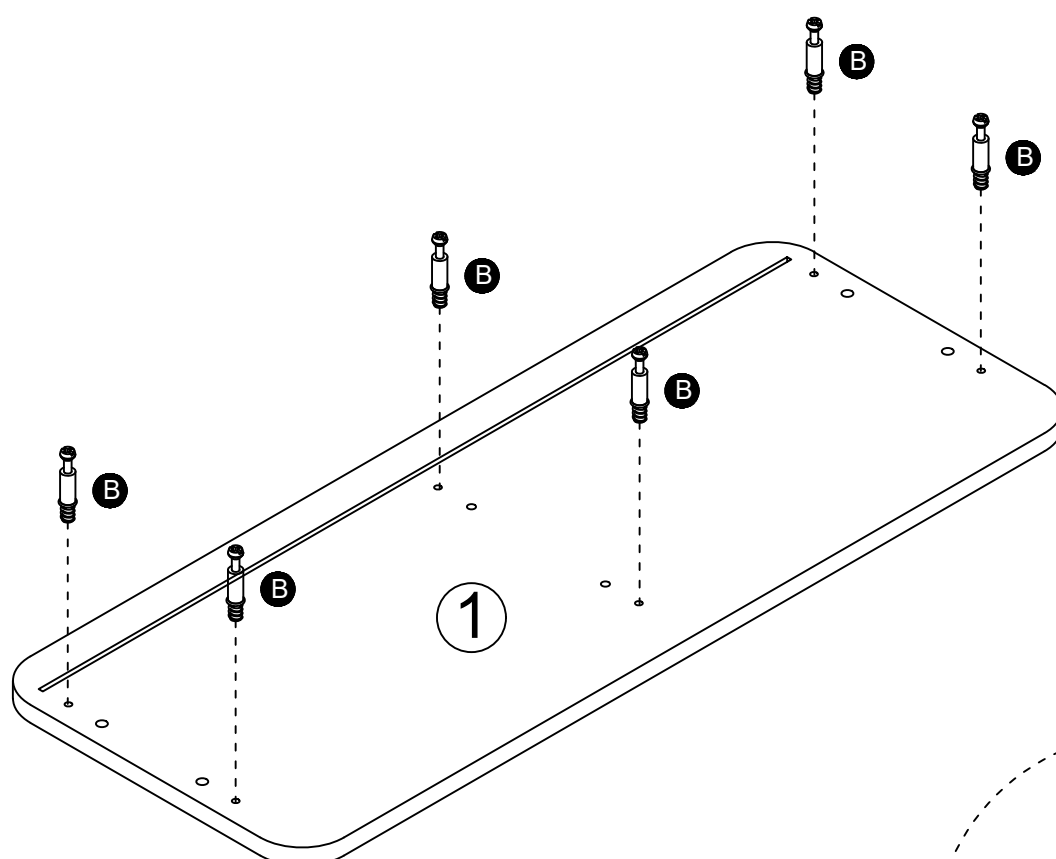
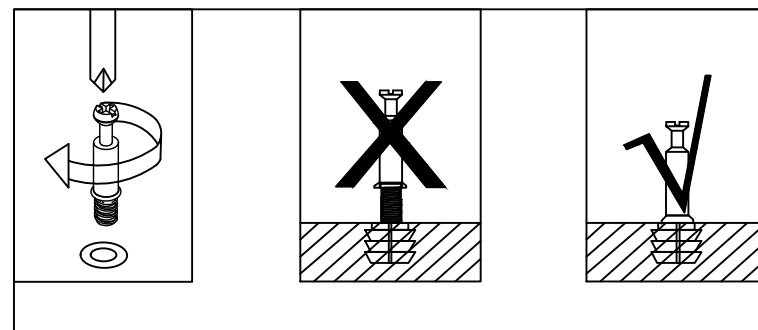
STEP 7



STEP 8



B X10



STEP 9



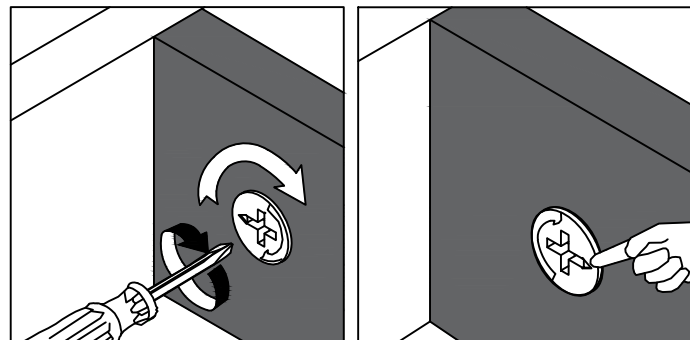
A X6



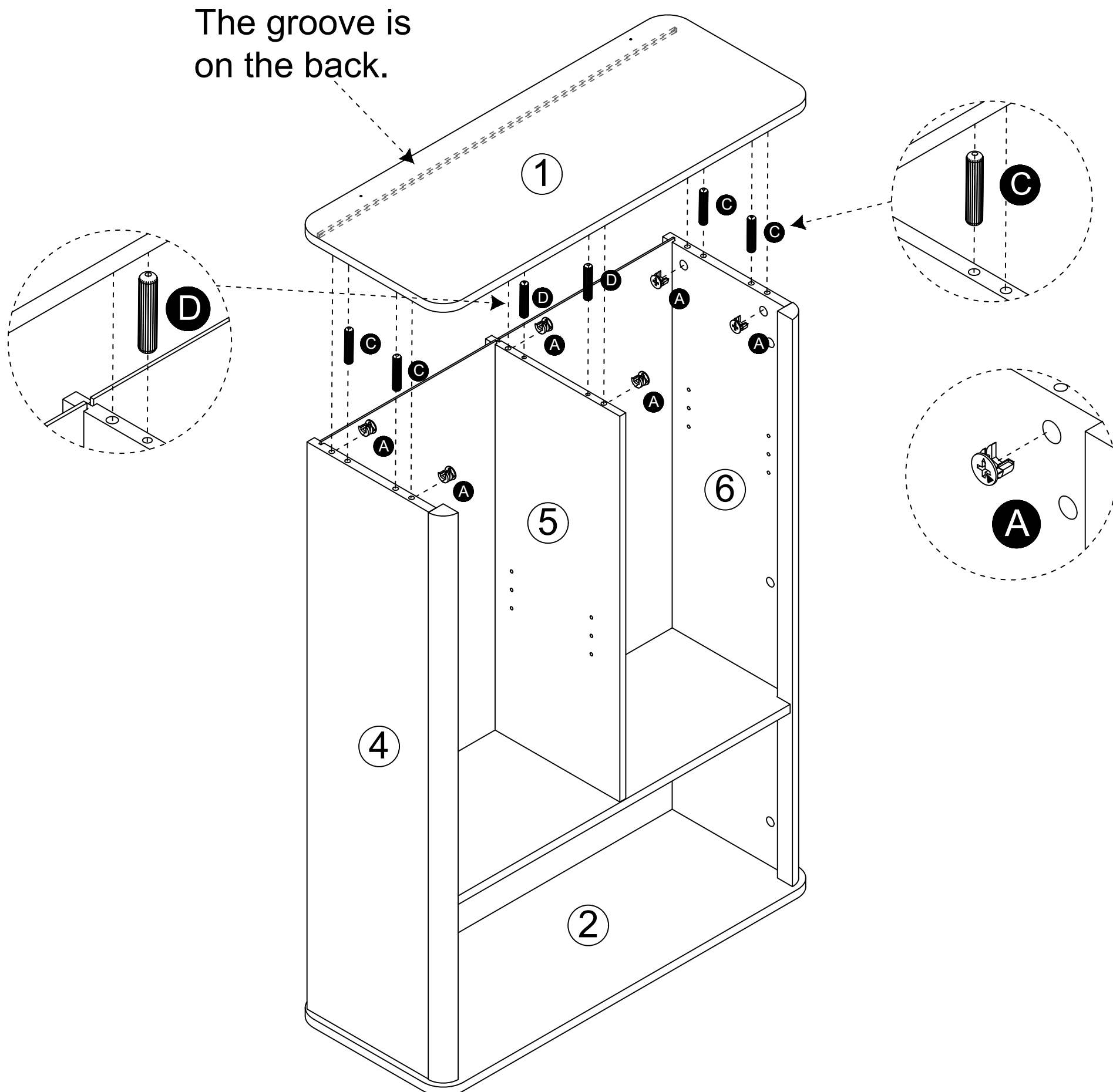
C X4



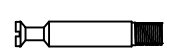
D X2



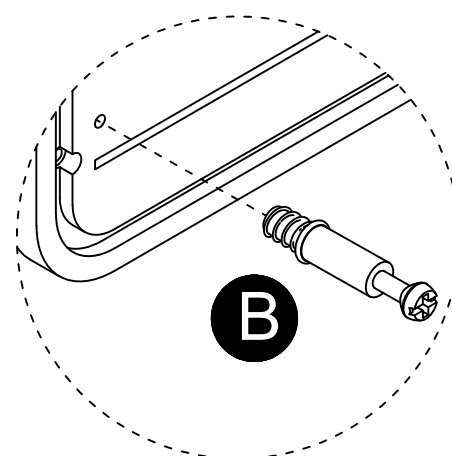
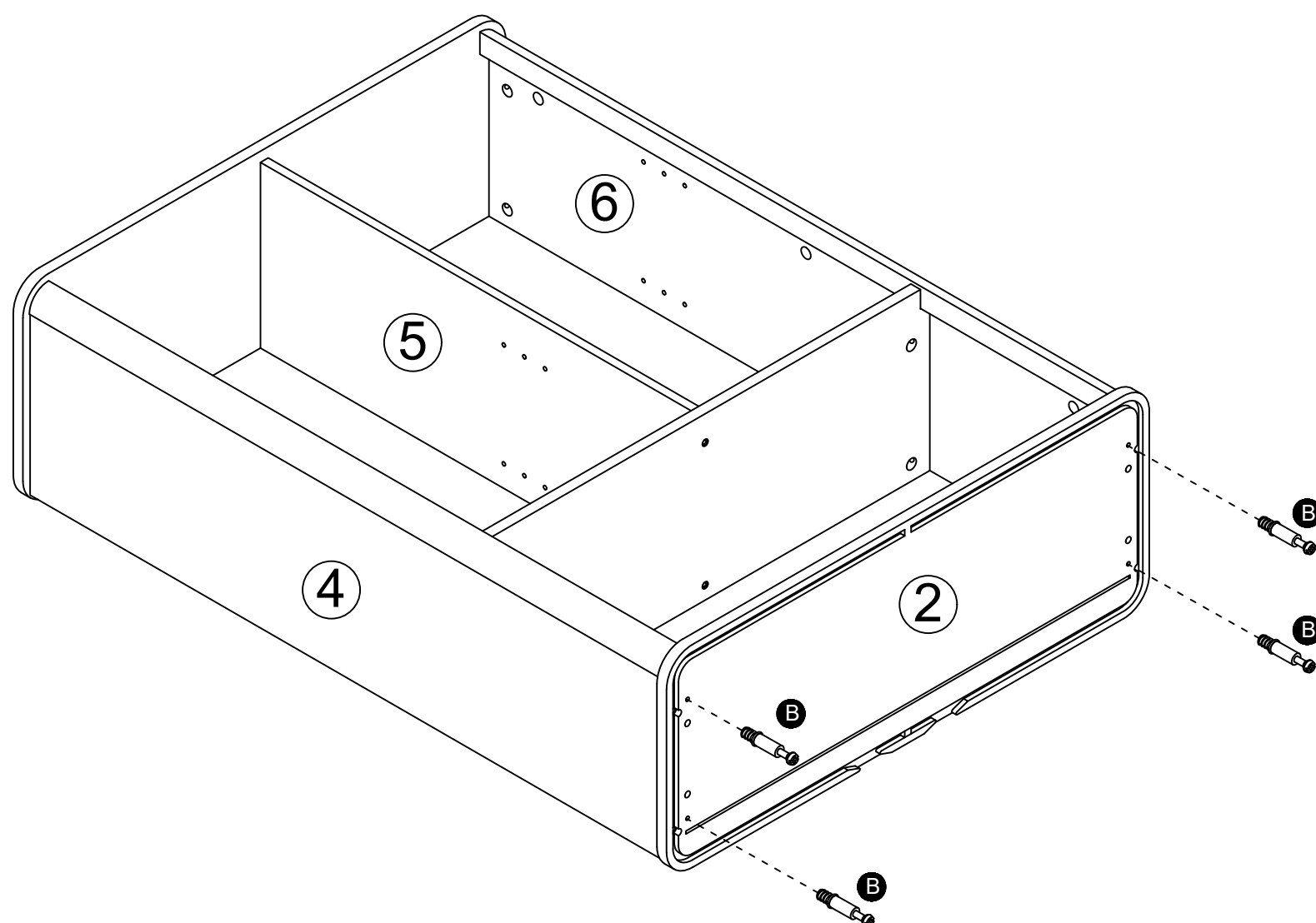
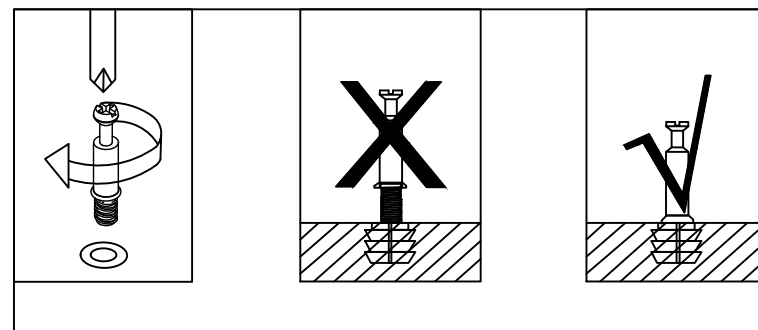
The groove is
on the back.



STEP 10



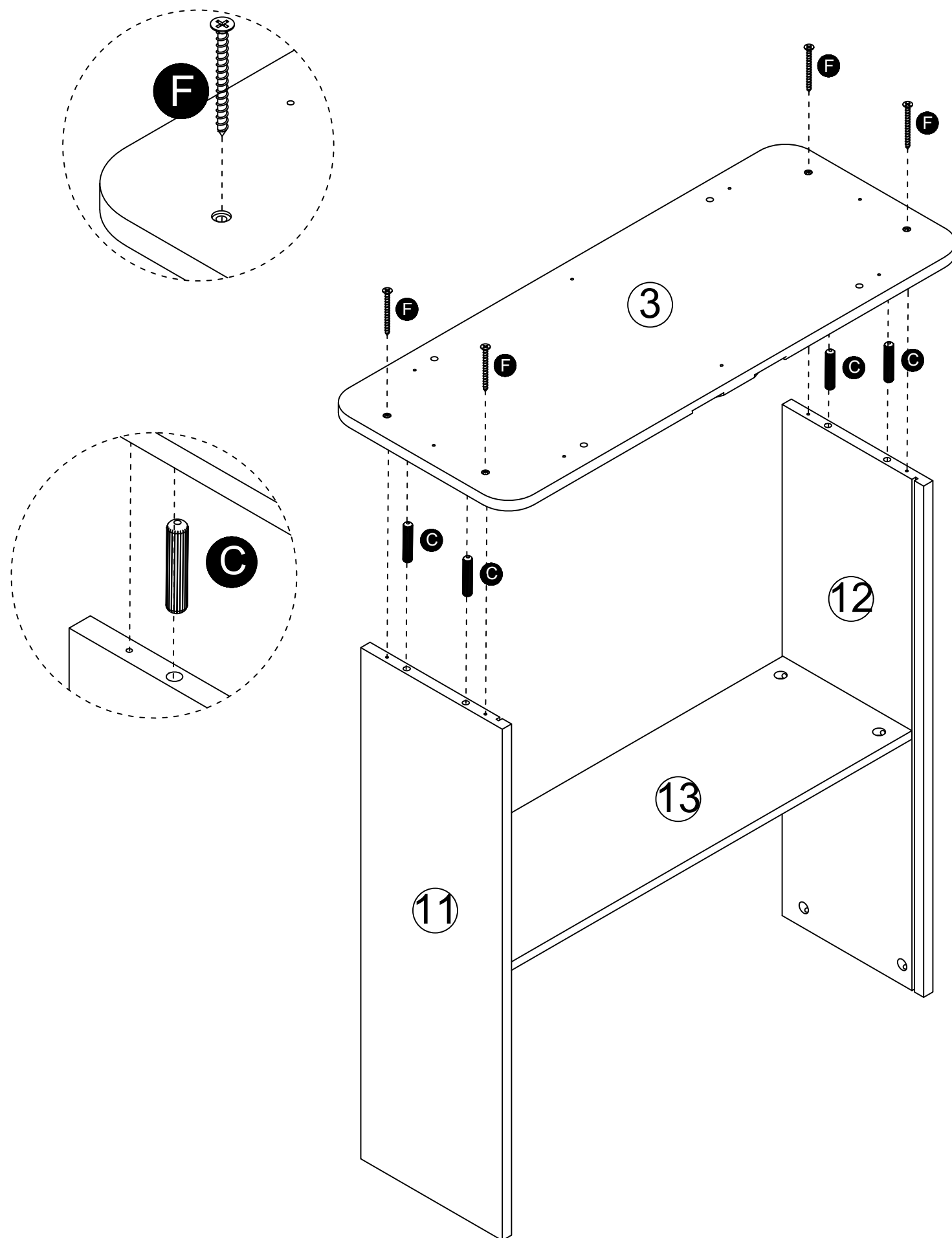
B X4



STEP 12

 **C** X4

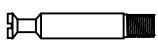
 **F** X4



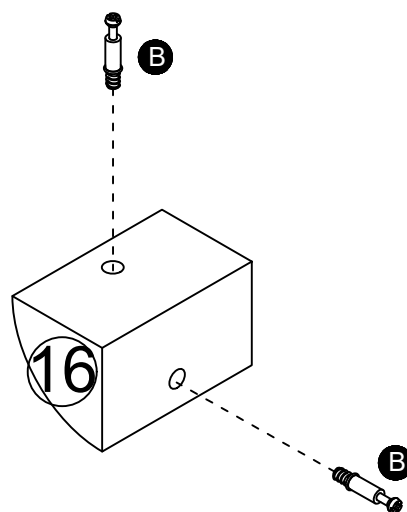
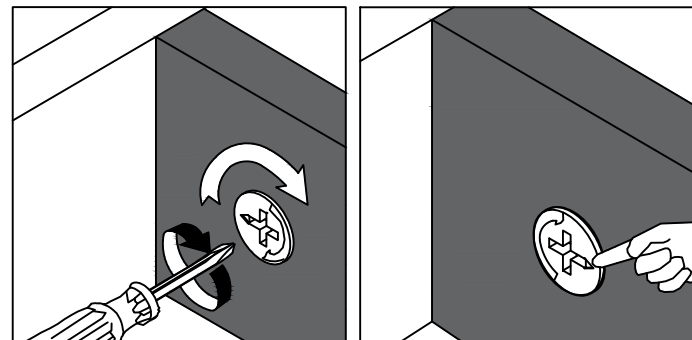
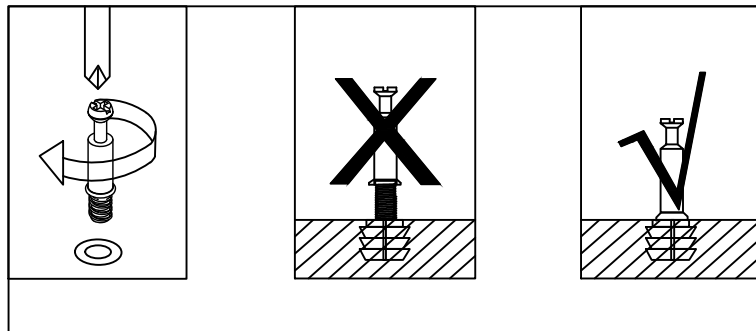
STEP 13



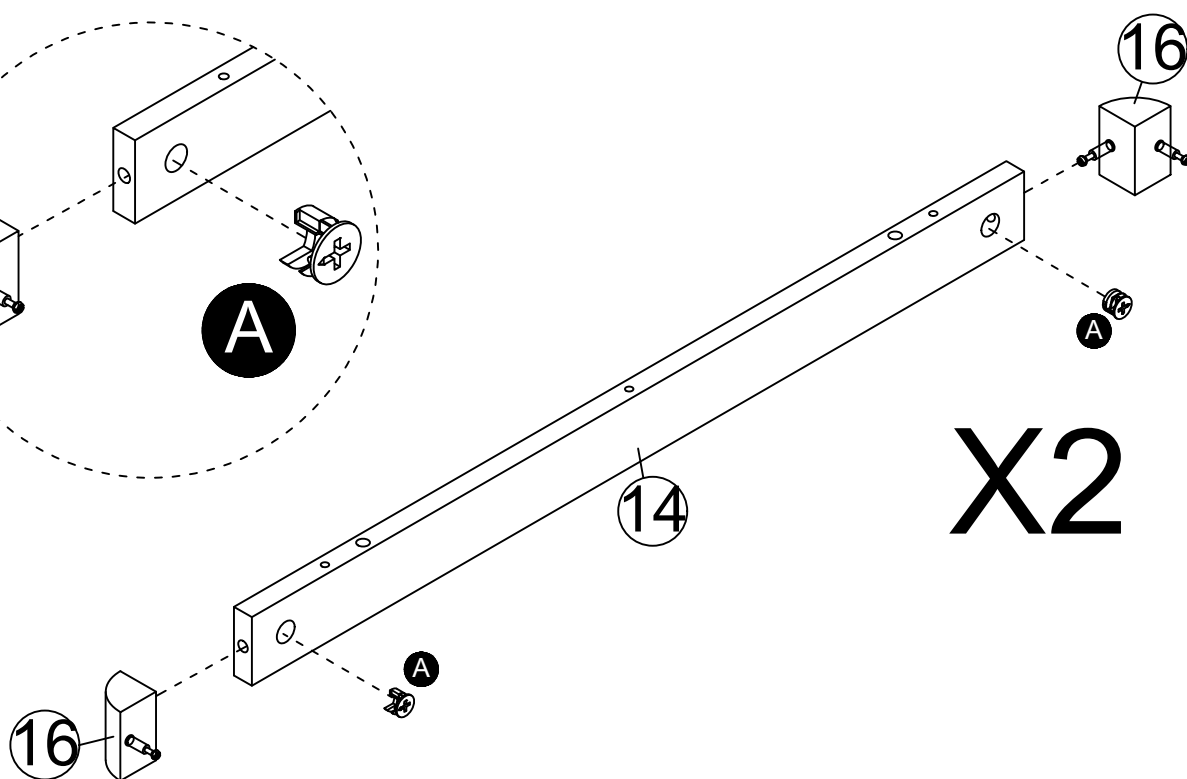
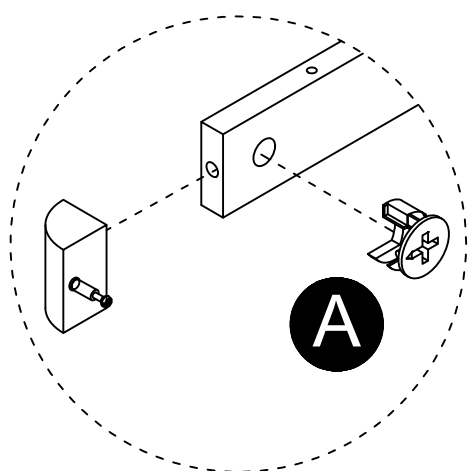
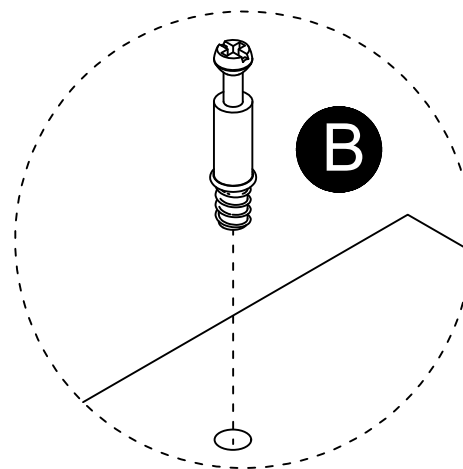
A X8



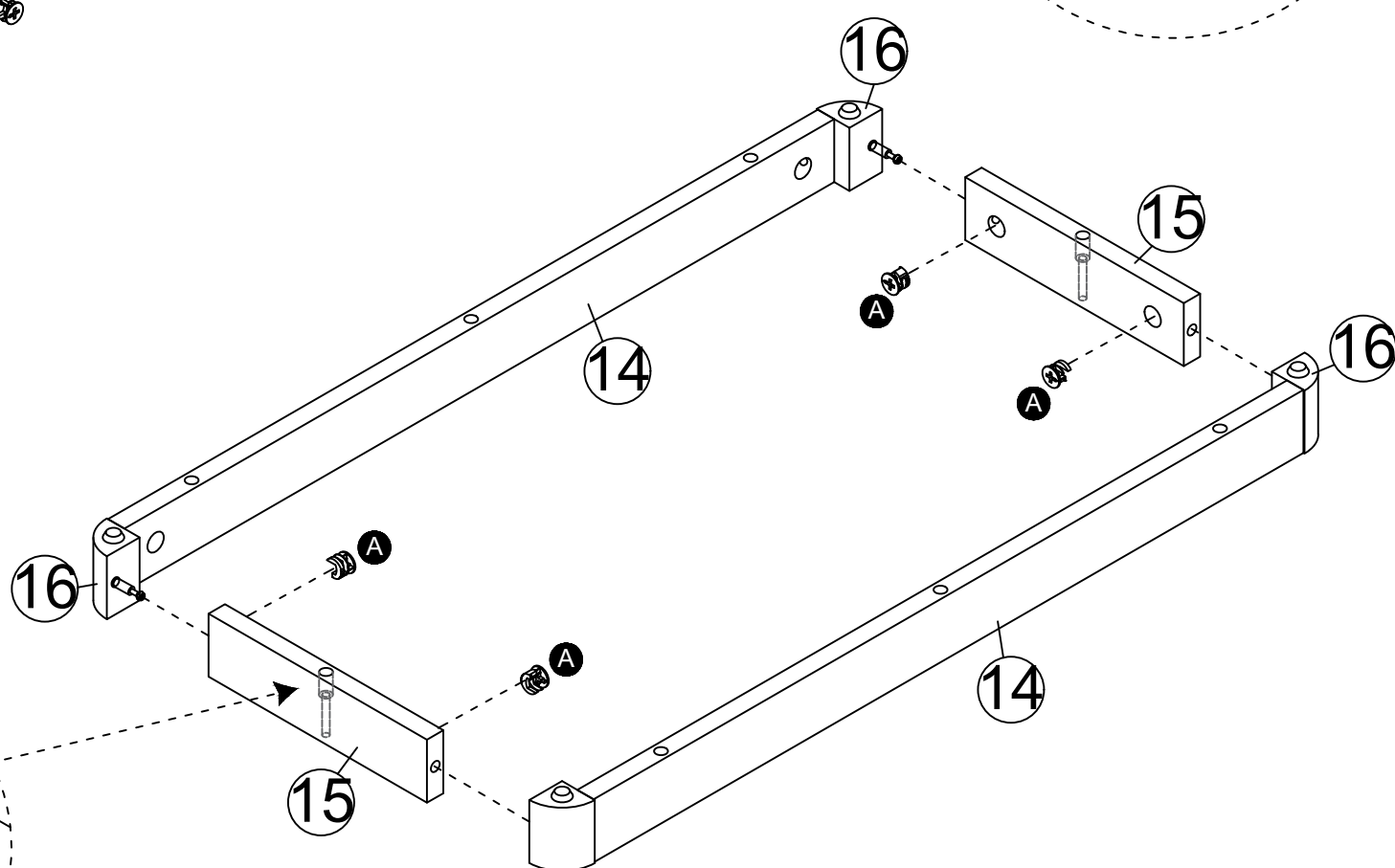
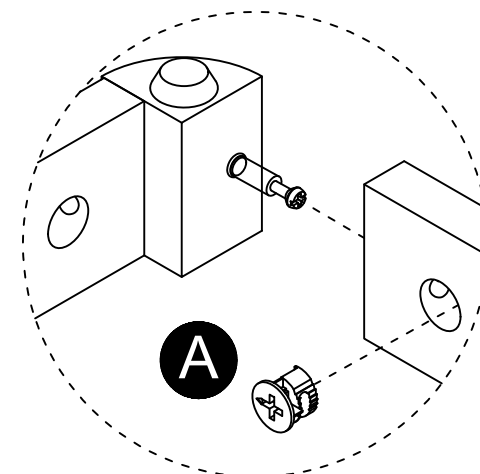
B X8



X4



X2

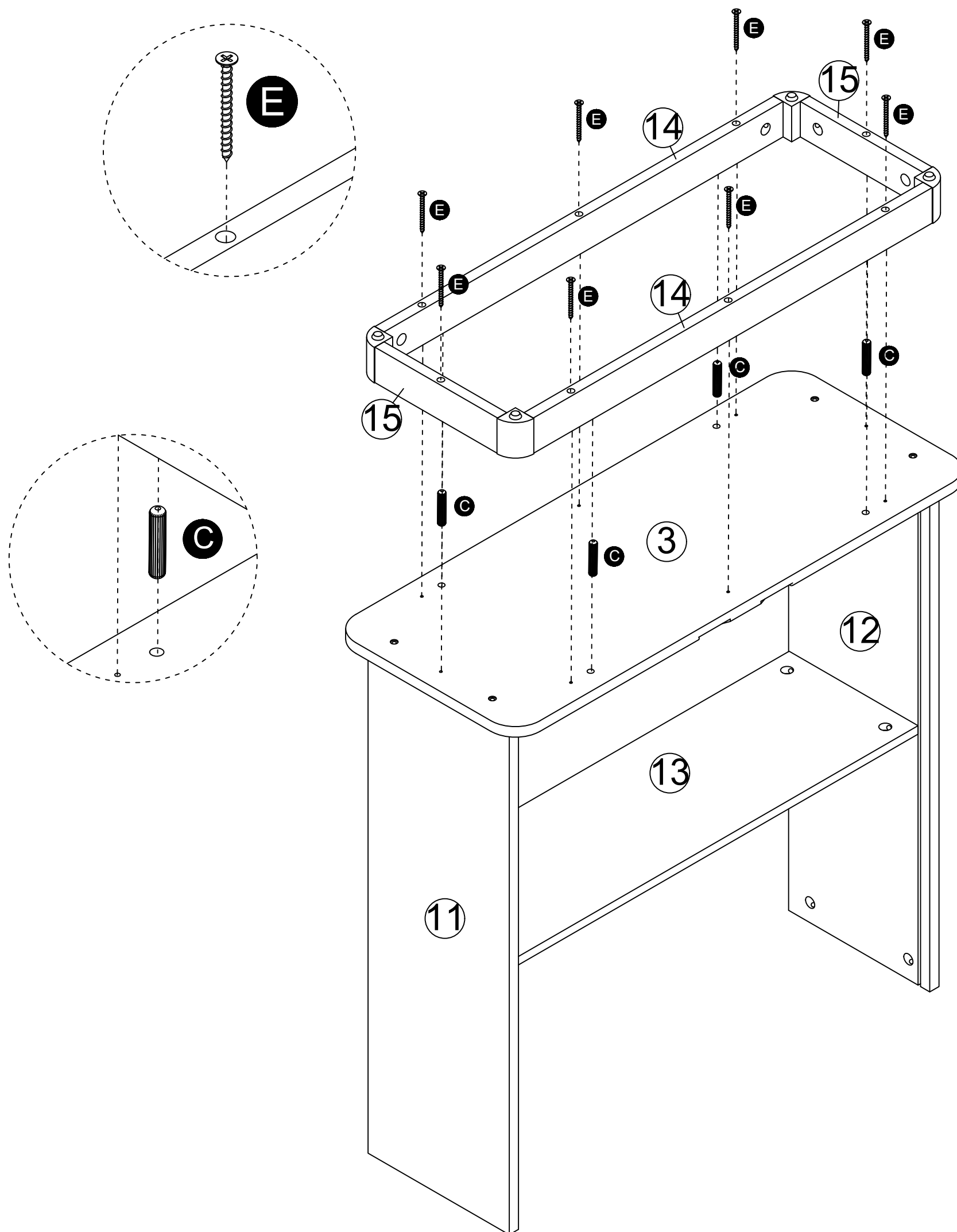


Note the orientation of this hole in plate 15.

STEP 14

 **C** X4

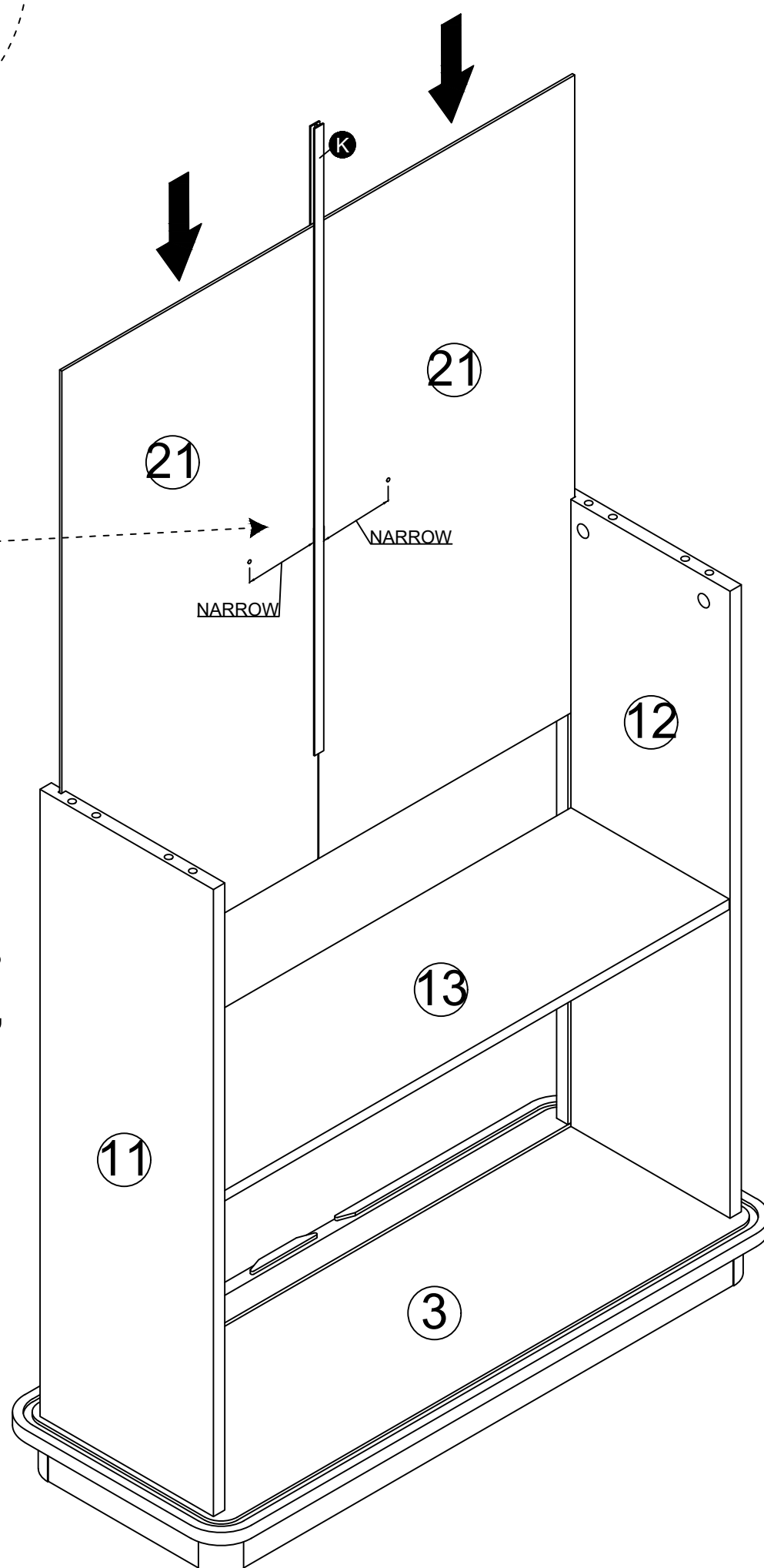
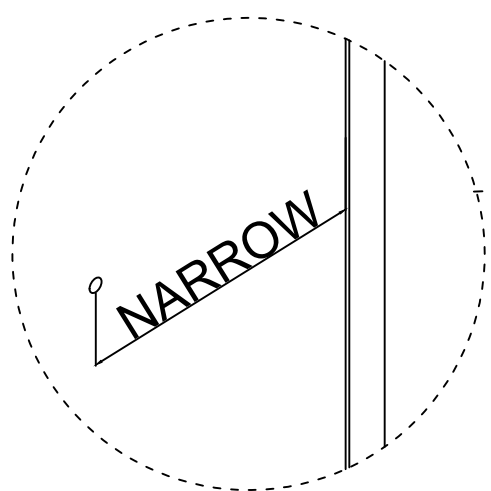
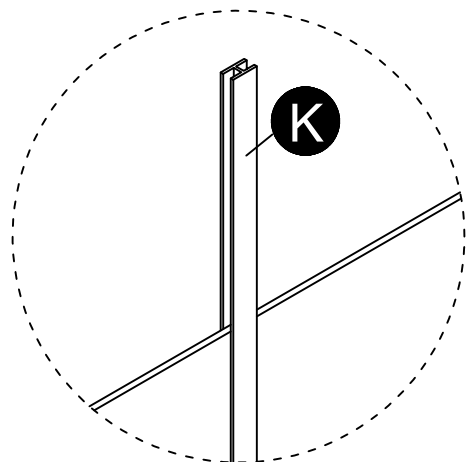
 **E** X8



STEP15



K X1



When mounting the plate 21, the narrow side of the hole is placed in the middle position, as shown in the figure.

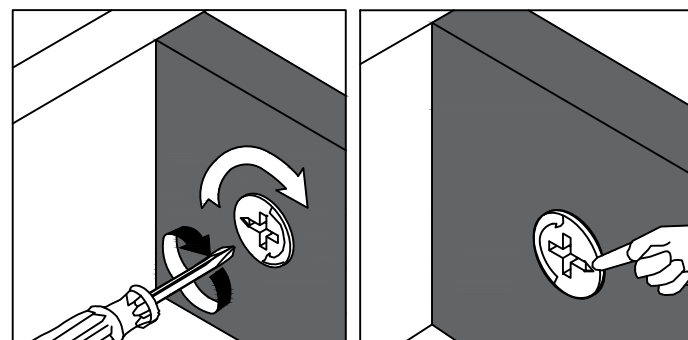
STEP 16



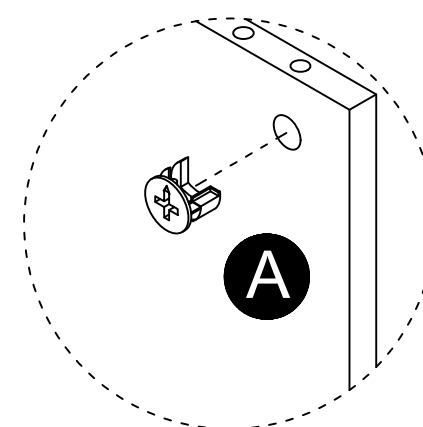
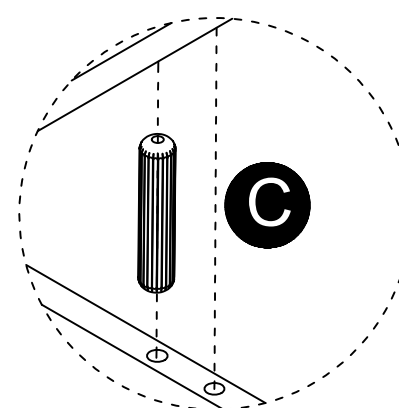
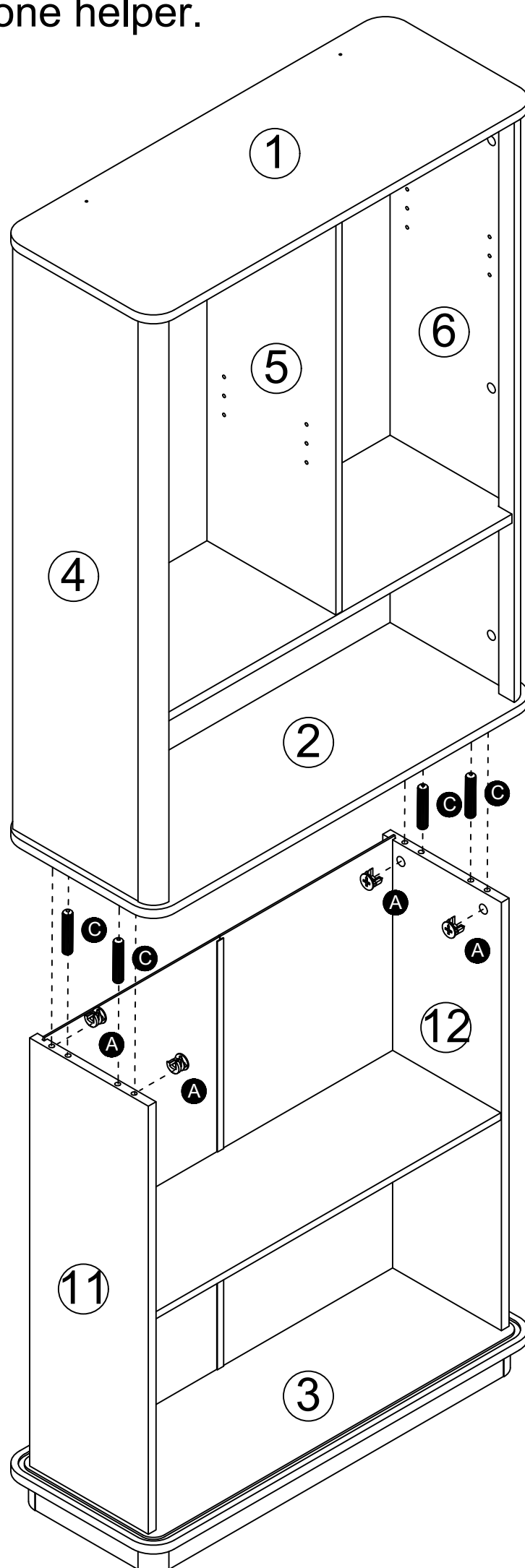
A X4



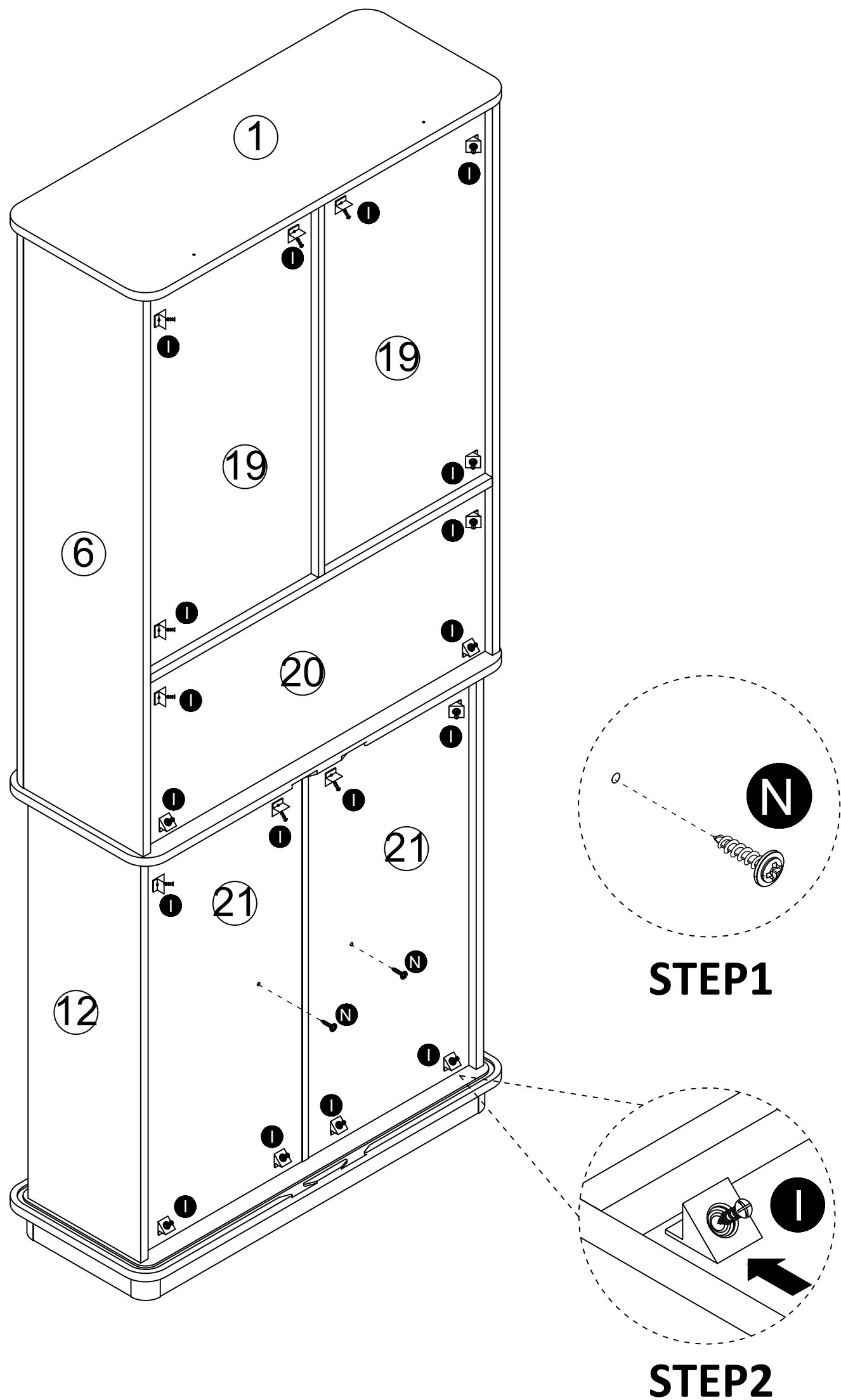
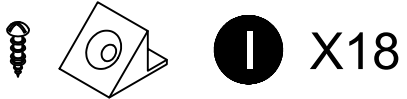
C X4



For this step, you need one helper.

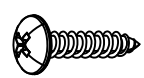


STEP 17

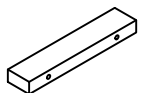


Insert the plastic buckle into the back plate slot, screw through the hole in the plastic buckle and lock it in place.

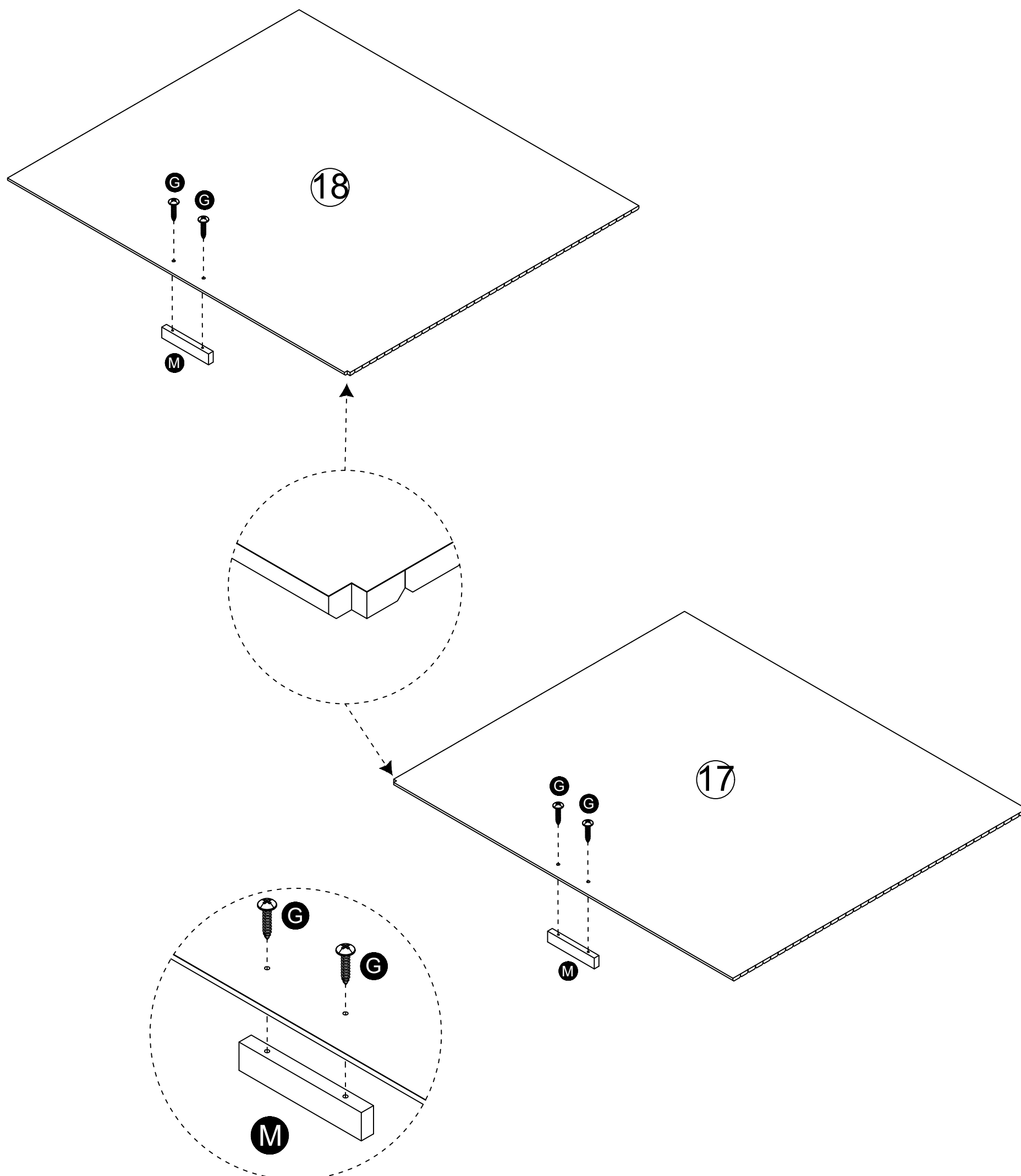
STEP 18



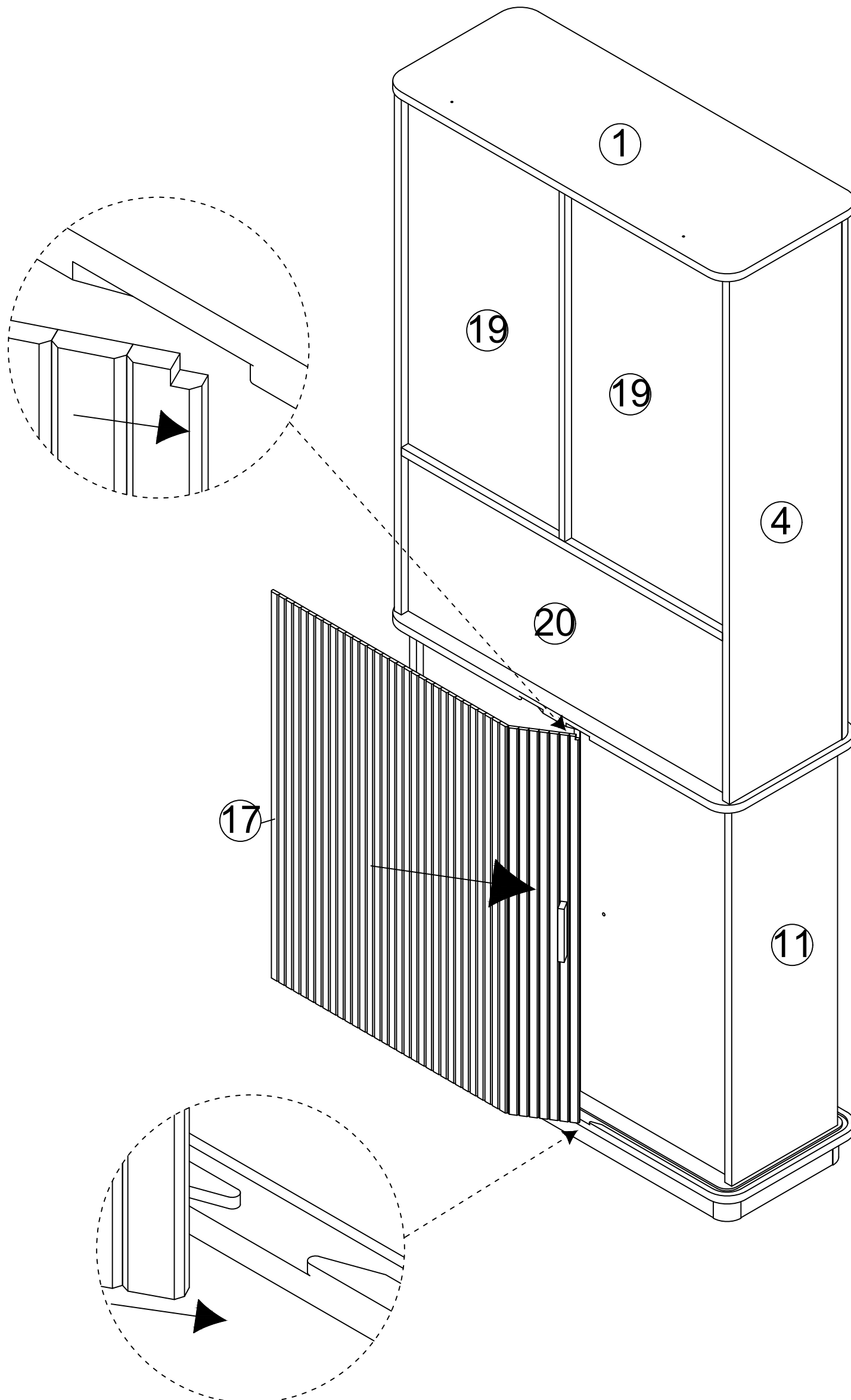
G X4



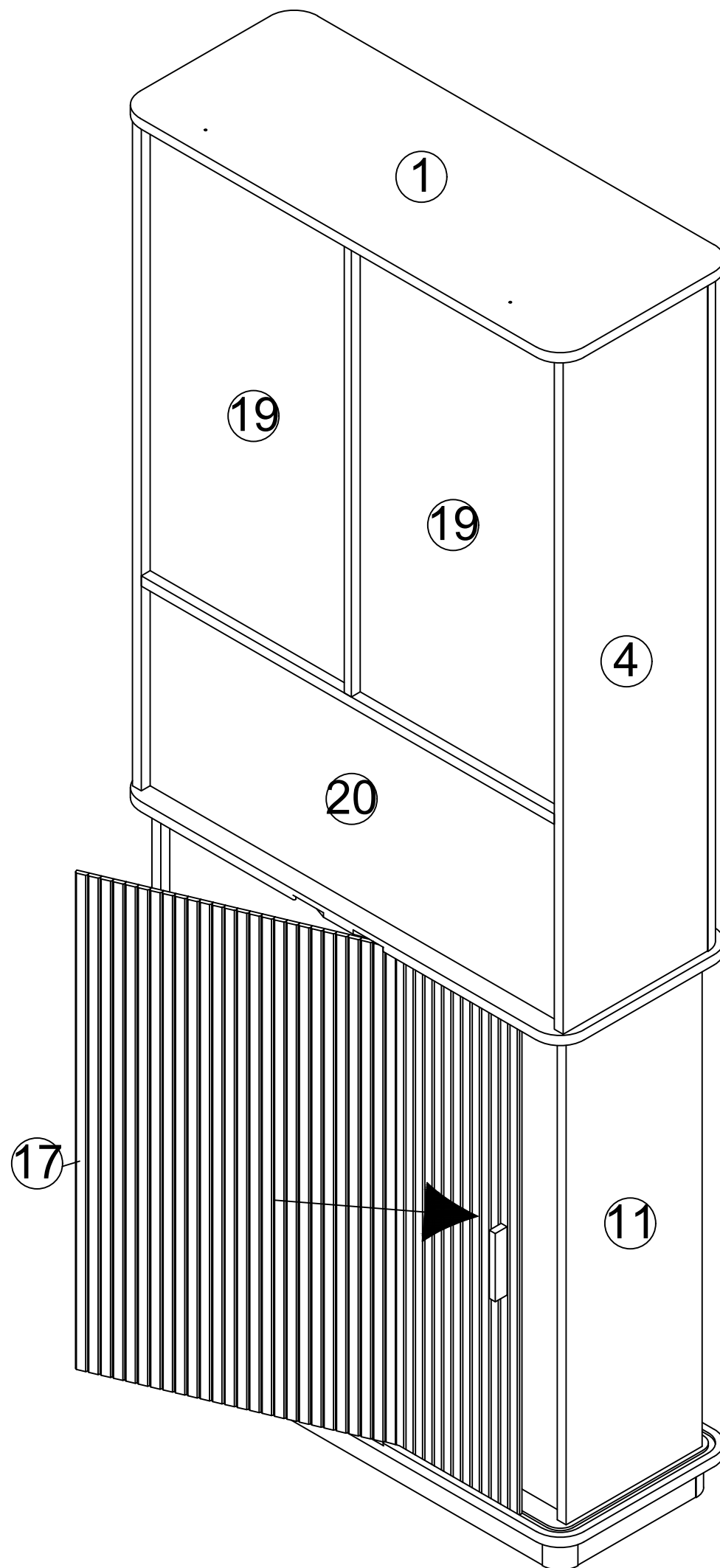
M X2



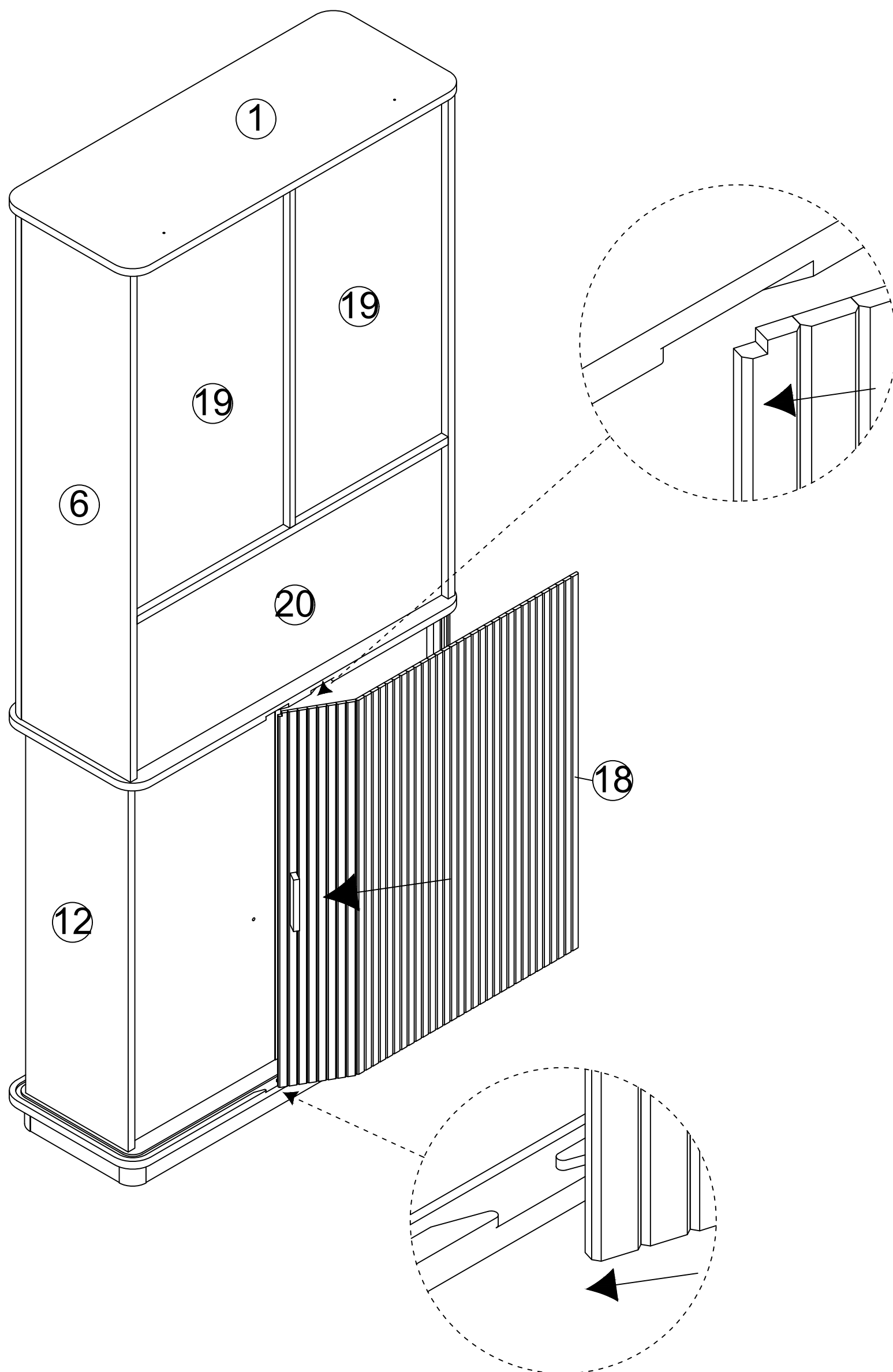
STEP 19



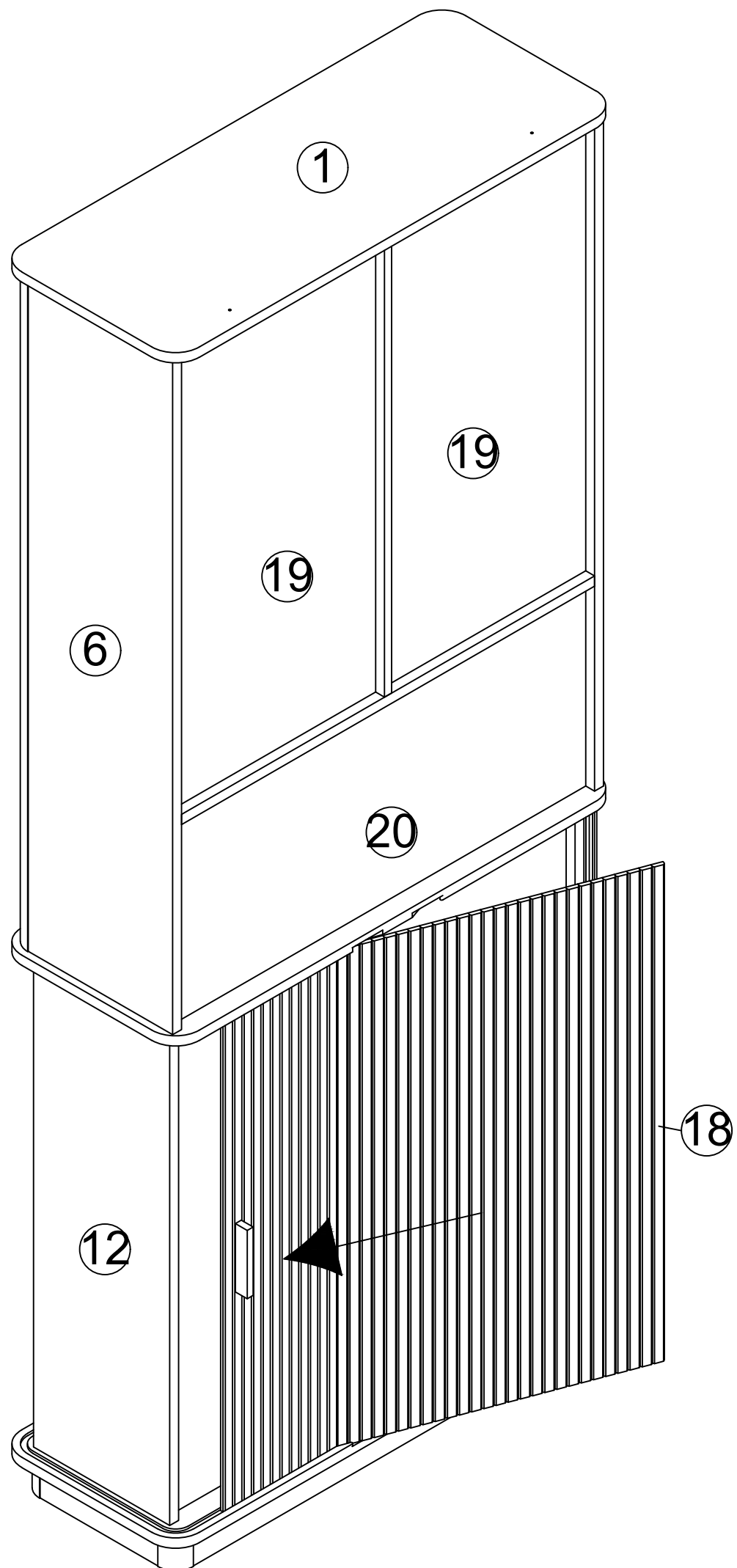
STEP 20



STEP 21



STEP 22

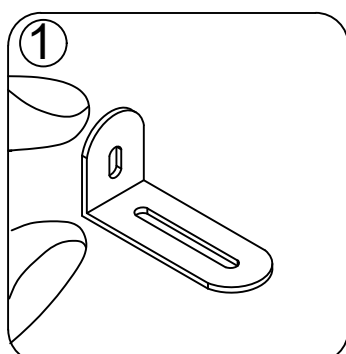


STEP 23

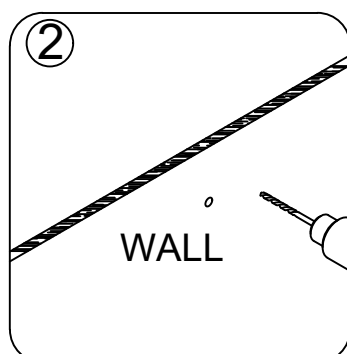


L X2

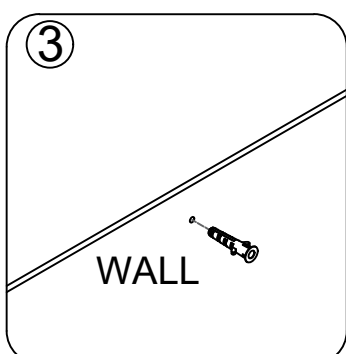
Install the tipping restraint hardware



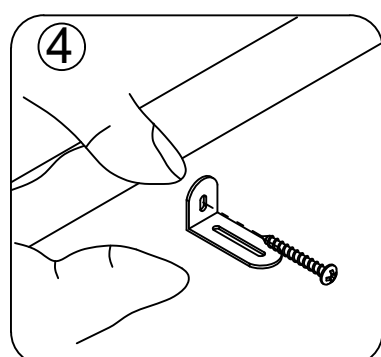
1. make mark on the wall



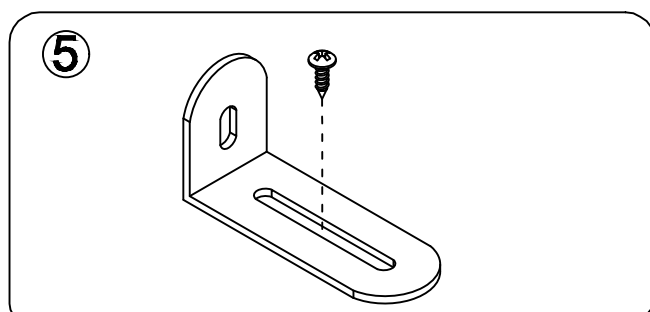
2. drill two Ø6 holes on the wall



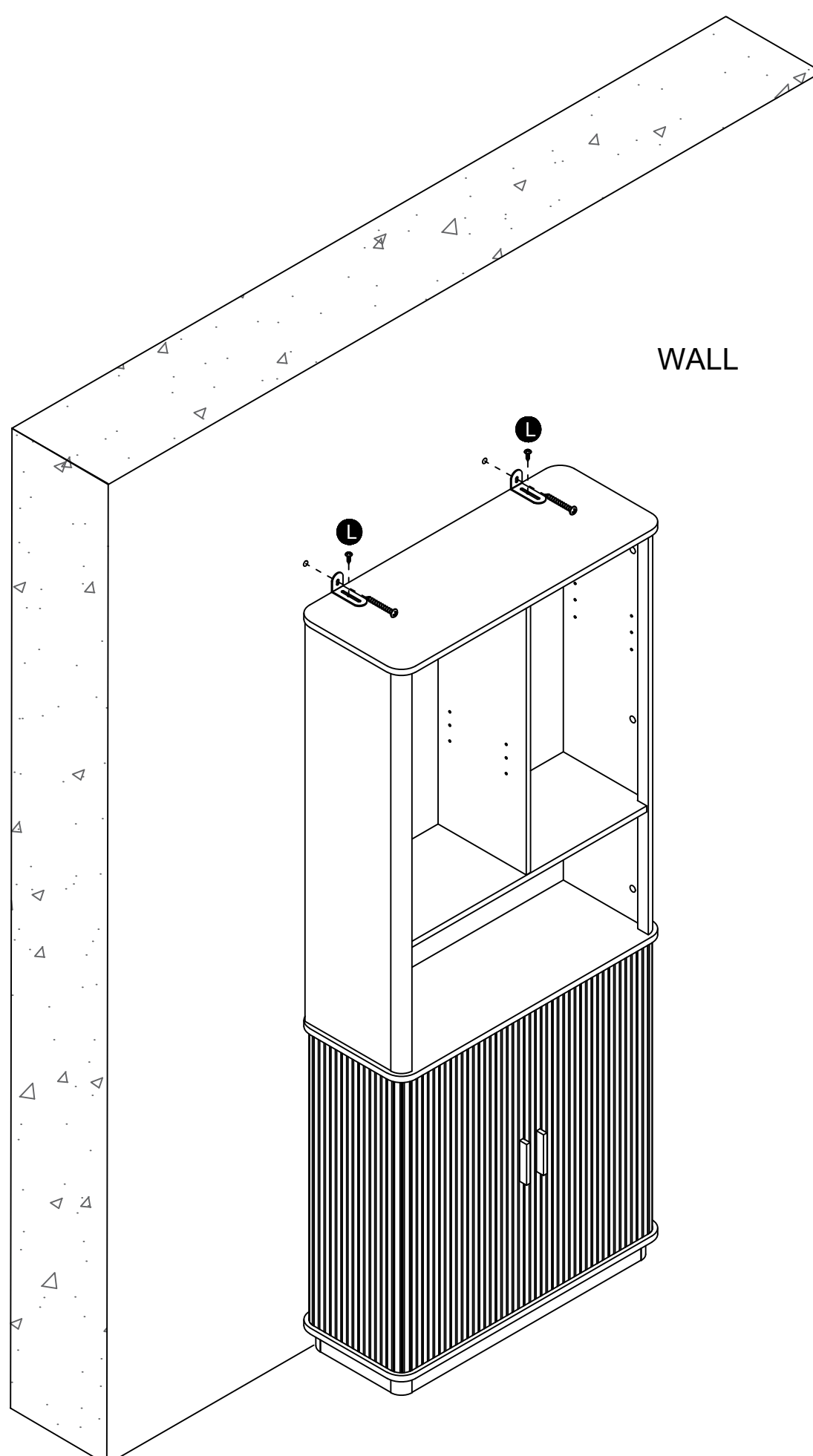
3. put two anchors in the holes



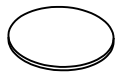
4. fix the device on the wall by the long screws



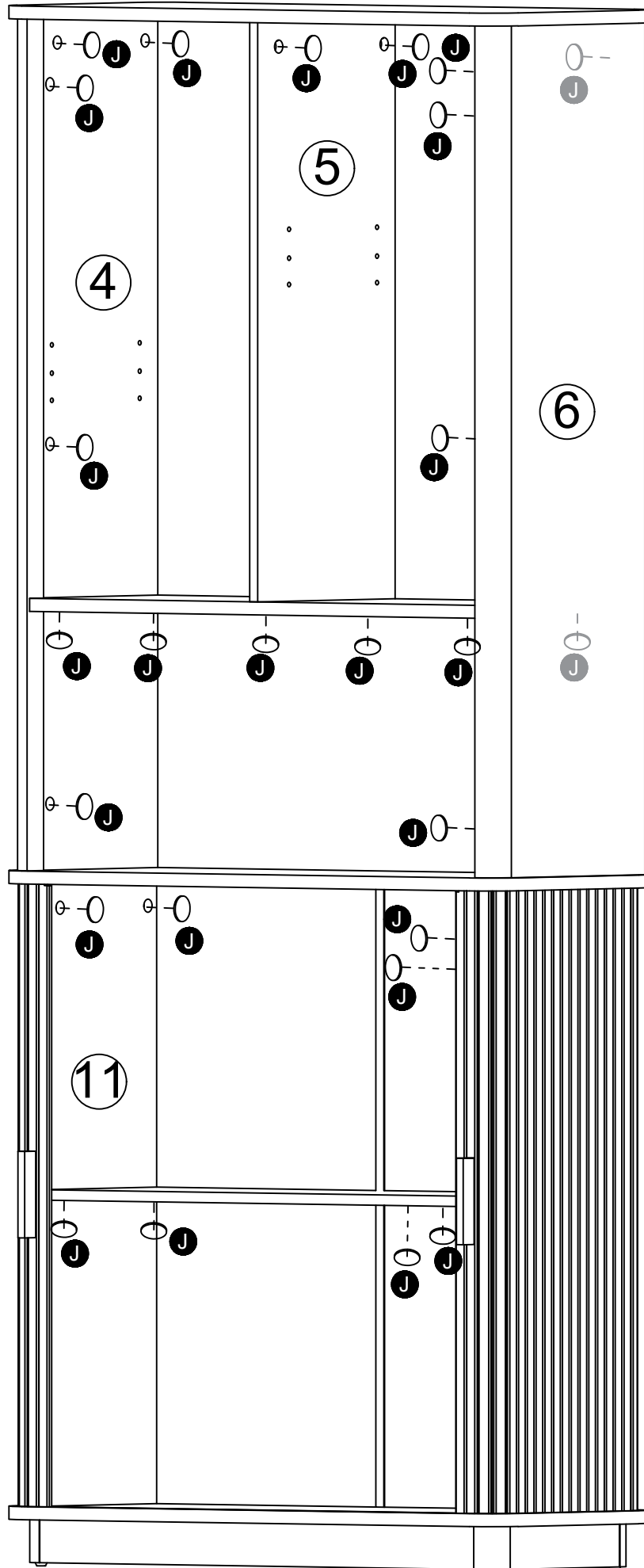
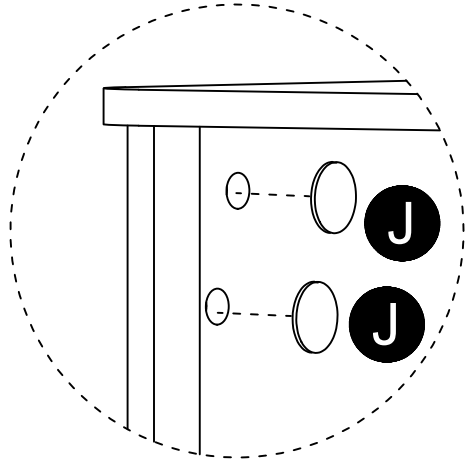
5. Push the cabinet closer to the wall so that the two bases are close to each other and tighten them with screws.



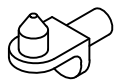
STEP 24



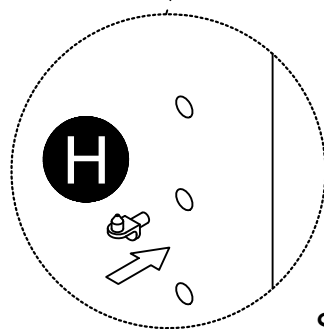
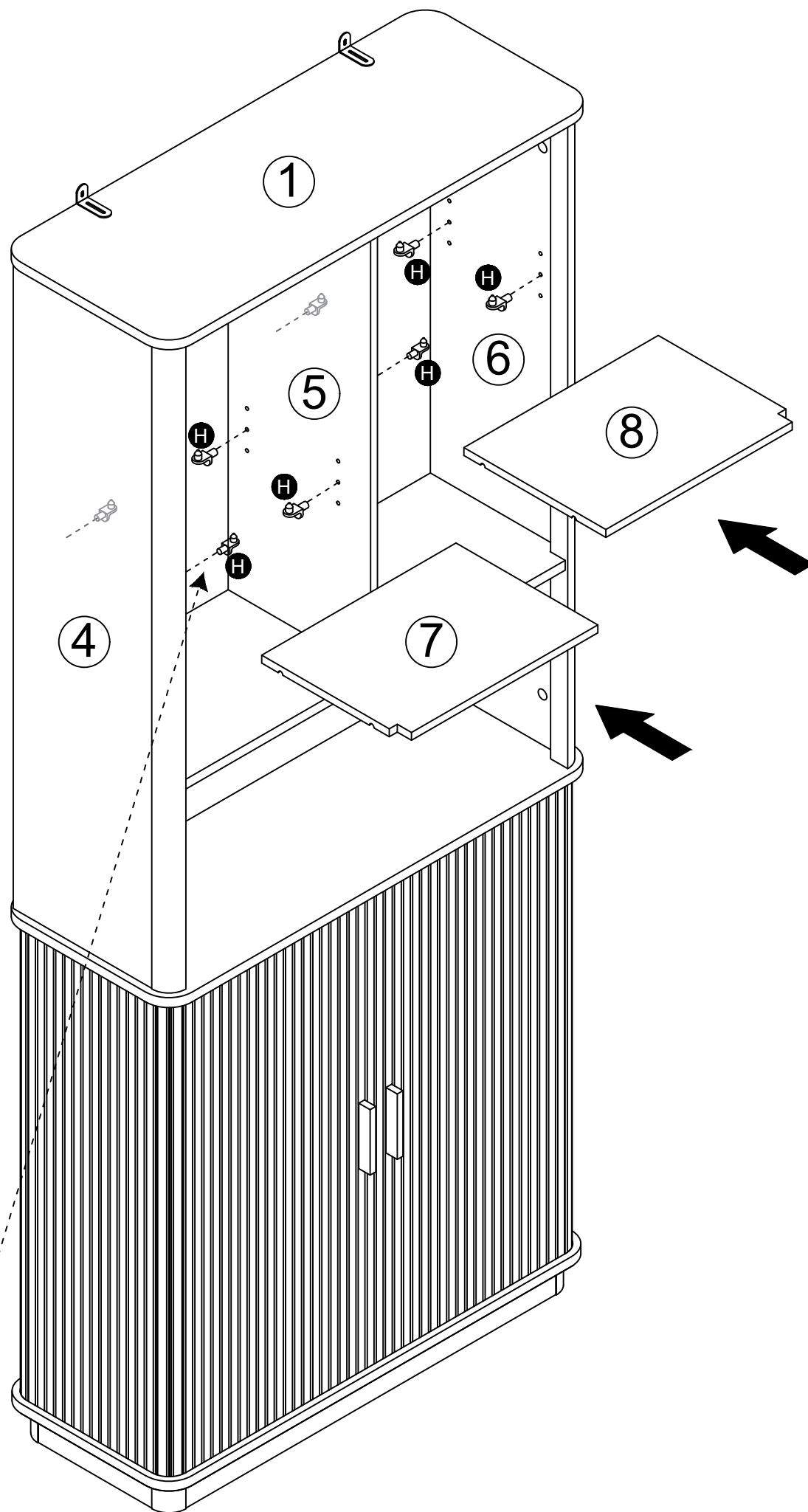
J X26



STEP 25

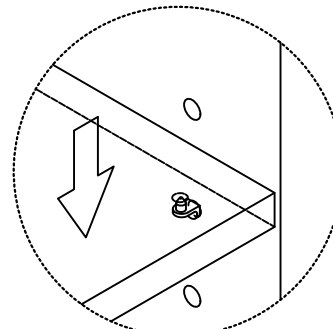
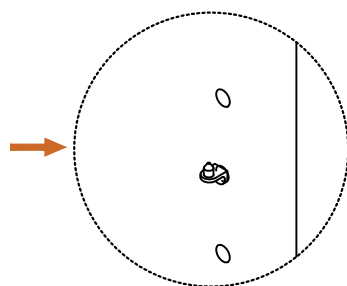


H X8



Step 1

Select the desired height
and put it in



Step 2

Aim the board gaps down

