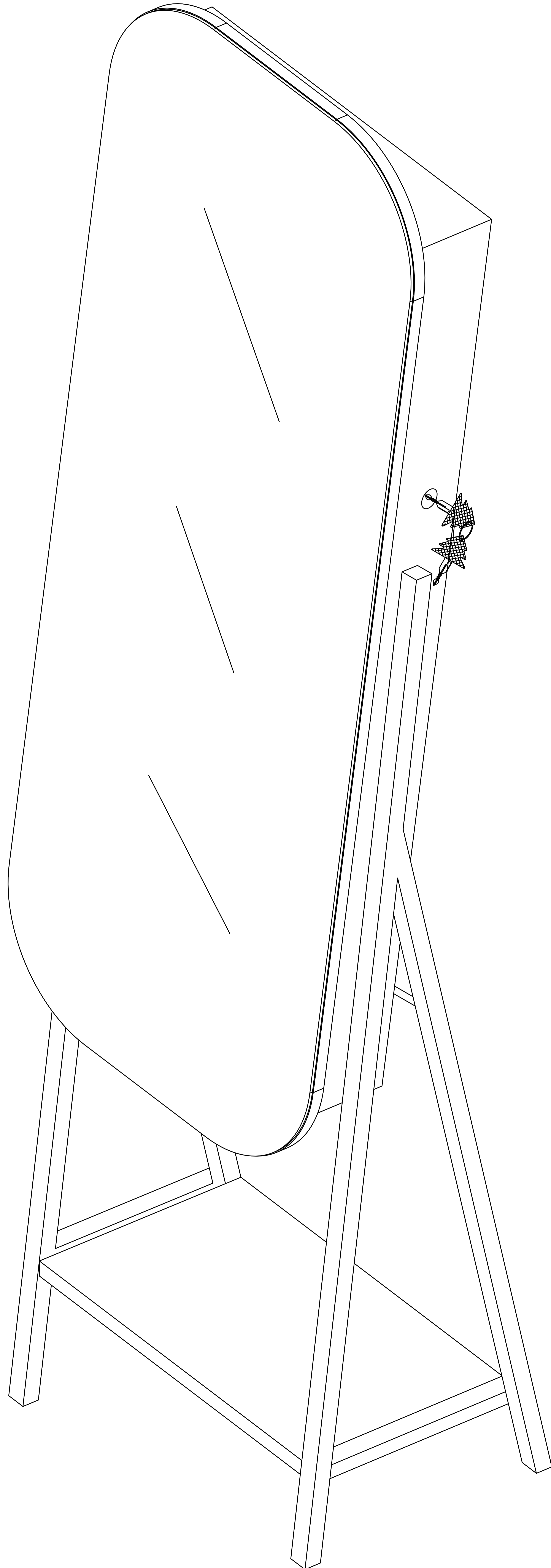
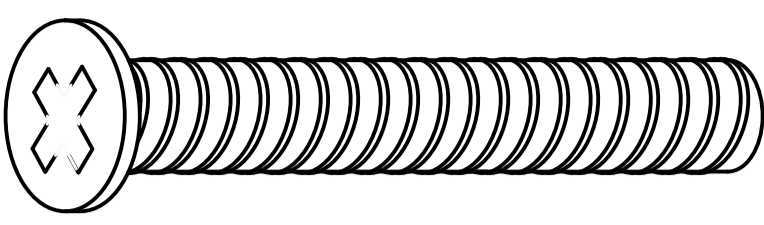
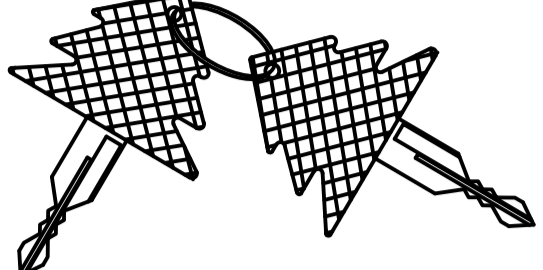
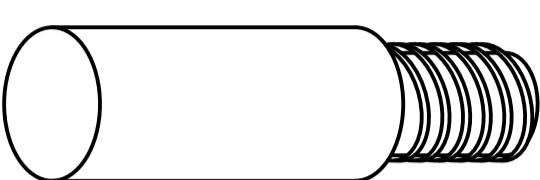
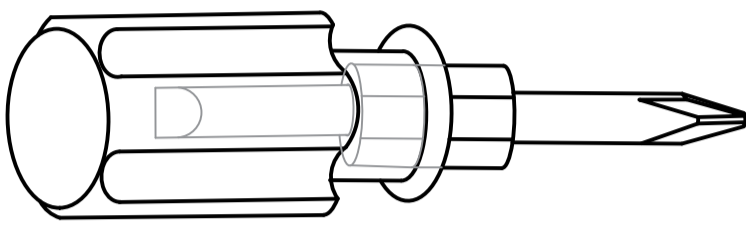
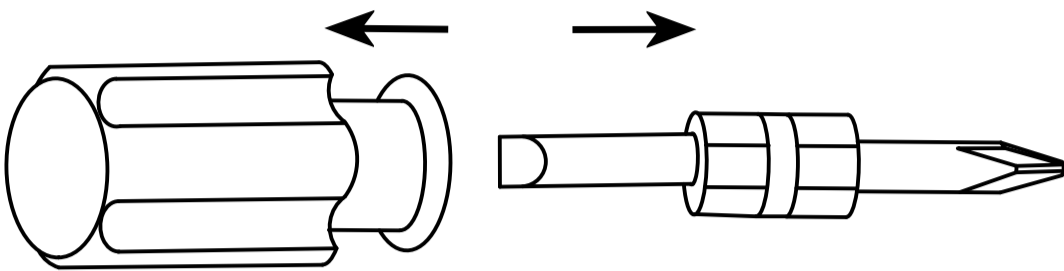
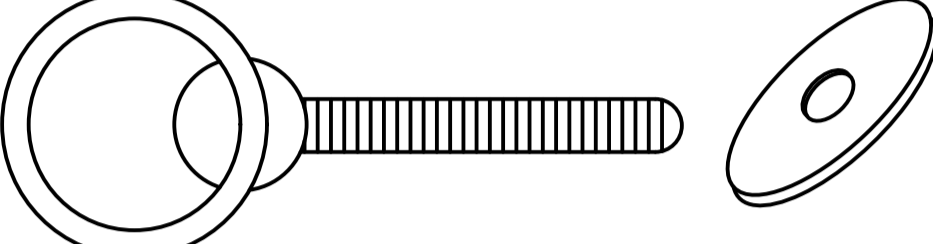
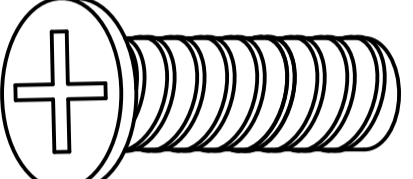

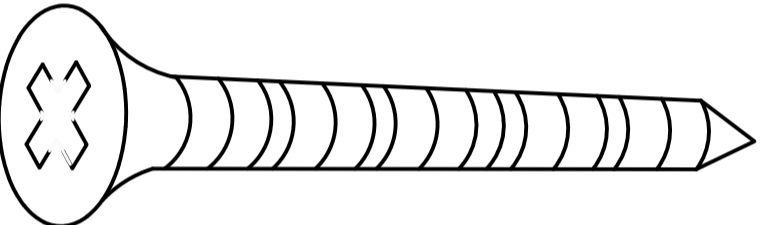
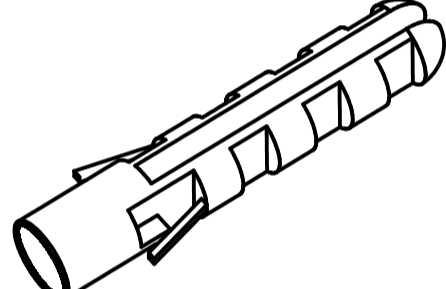
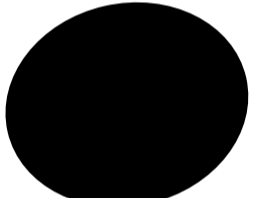
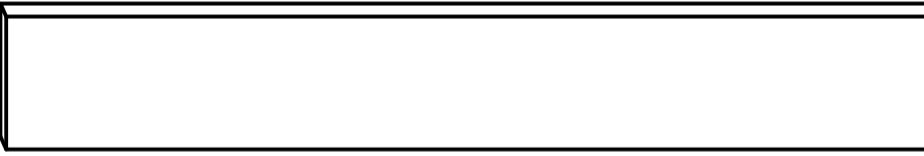


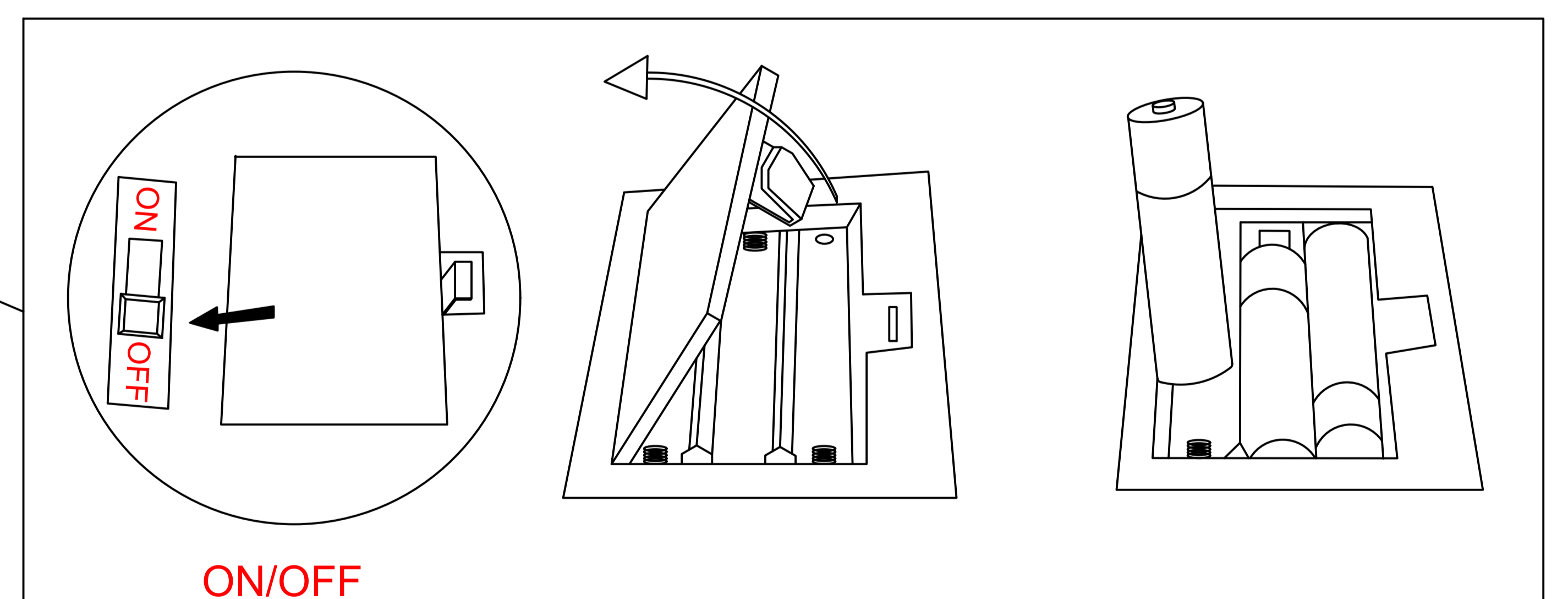
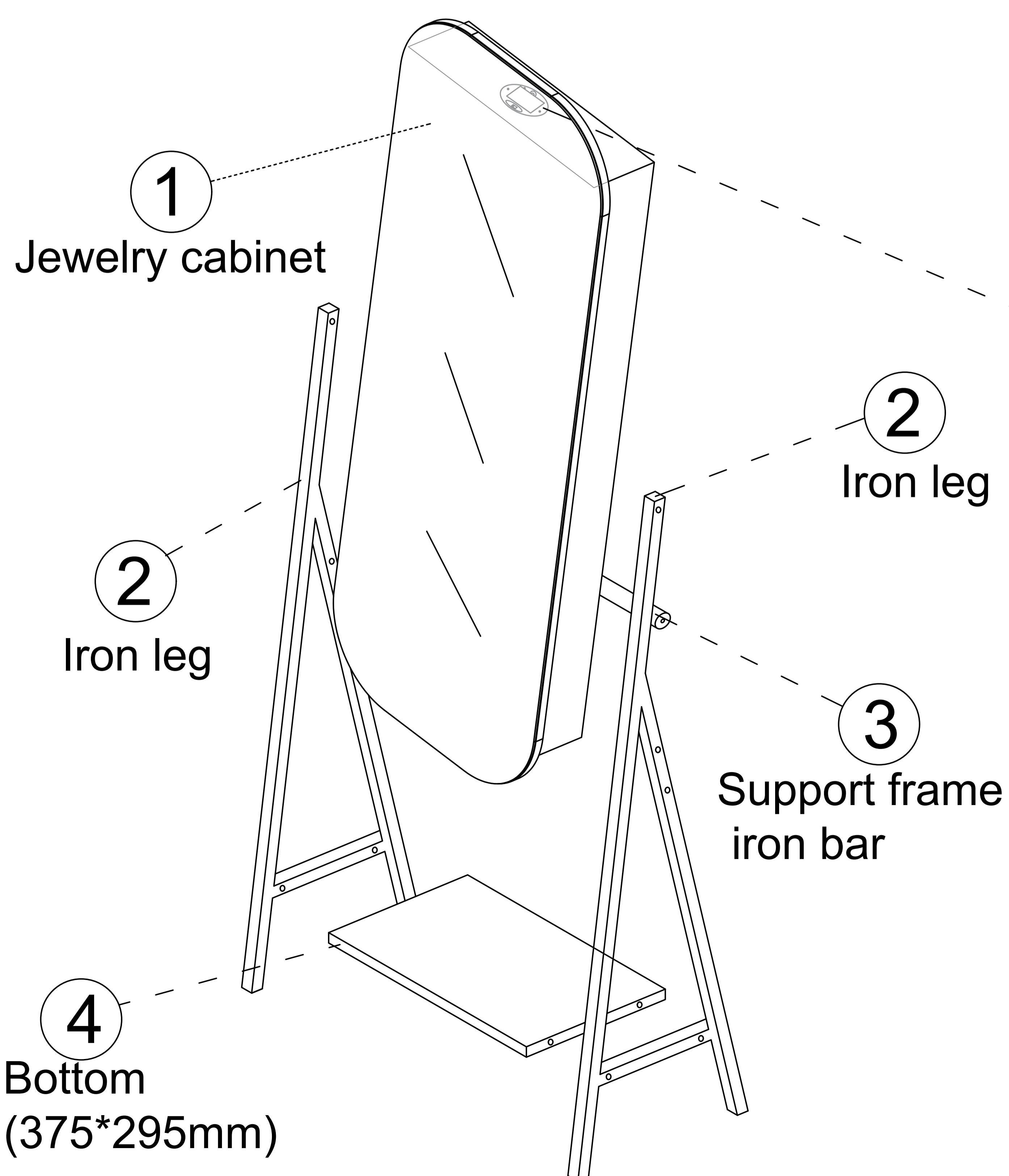
# MIRROR JEWELLERY CABINET




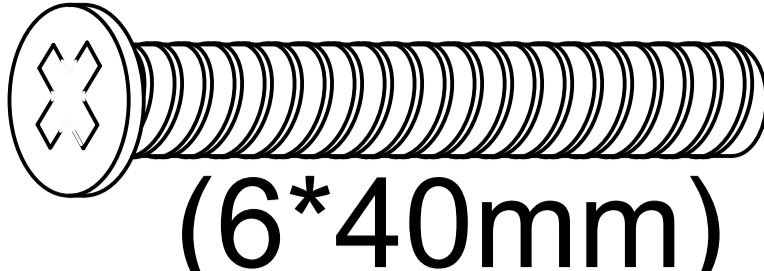
# Accessories list

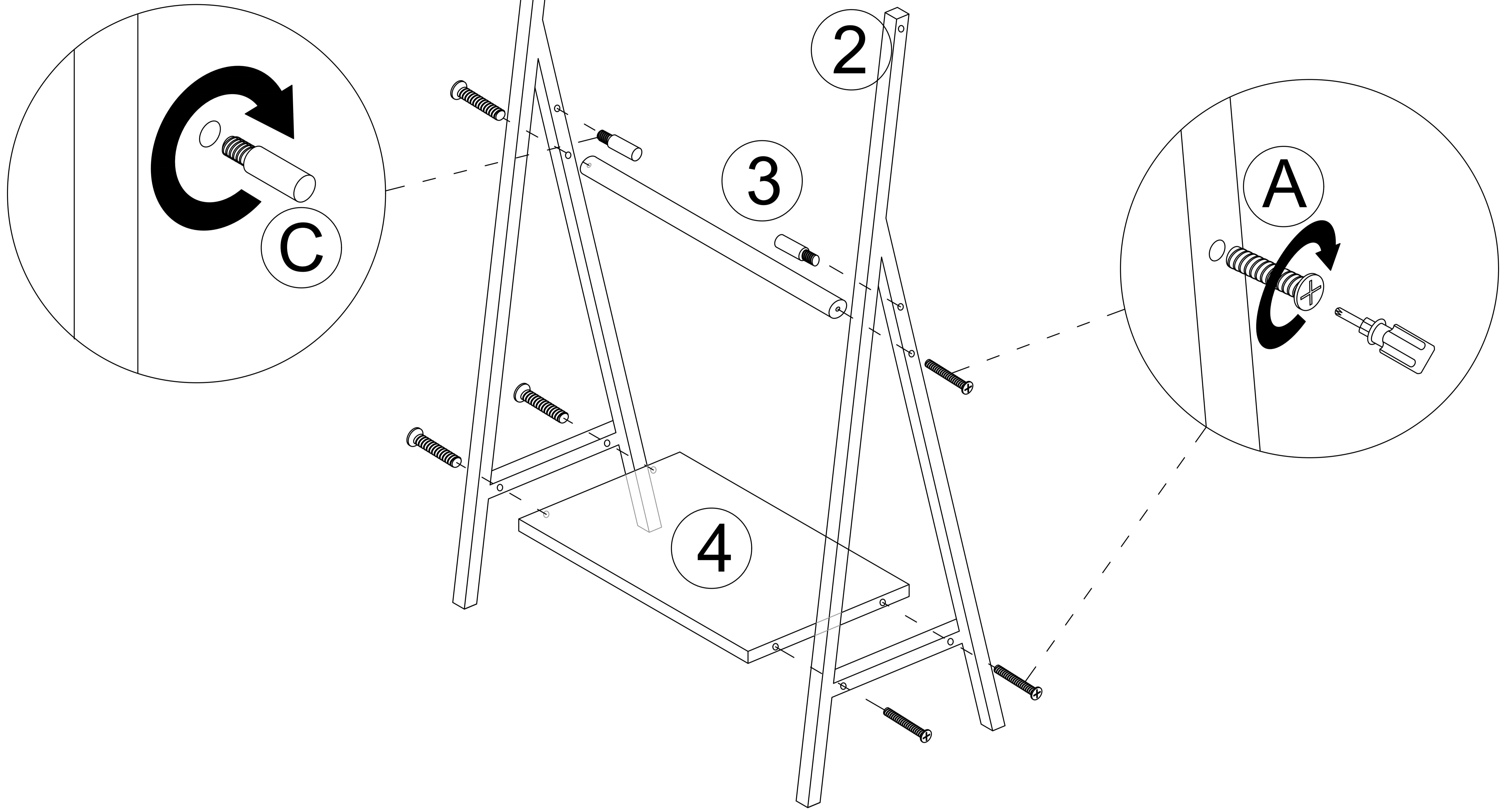
A		Long screw(6*40mm)	6 Pcs
B		The key	1 Pcs
C		Countersunk head tapping screw (8x20mm)	2 Pcs
D		 Double-head screwdriver, use as required	1 Pcs
E		Eye-screw (8x30mm)	2 Pcs
F		Short Screw(6*16mm)	4 Pcs
G		Hook	2 Pcs
H		Long Screw(4x45mm)	2 Pcs
I		Wall Anchors	2 Pcs
J		Sponge gasket	4 Pcs
K		Adhesive Velcro	1 Pcs

## Battery installation (Tip: use 3 AAA Batteries)

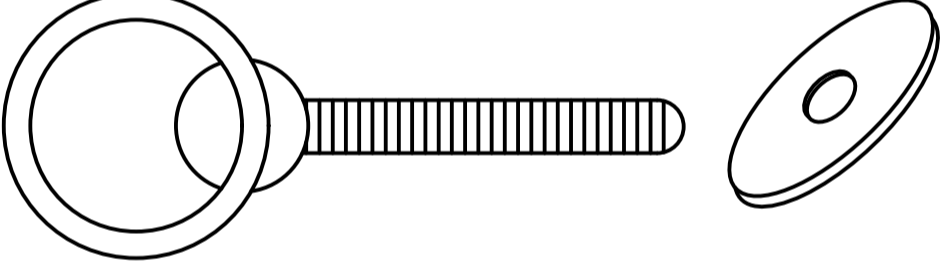
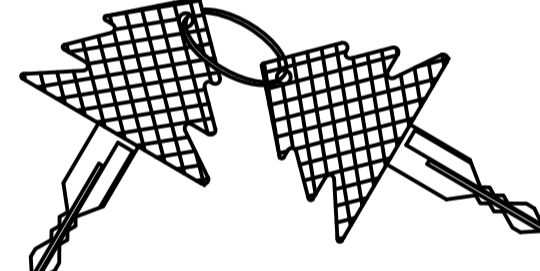


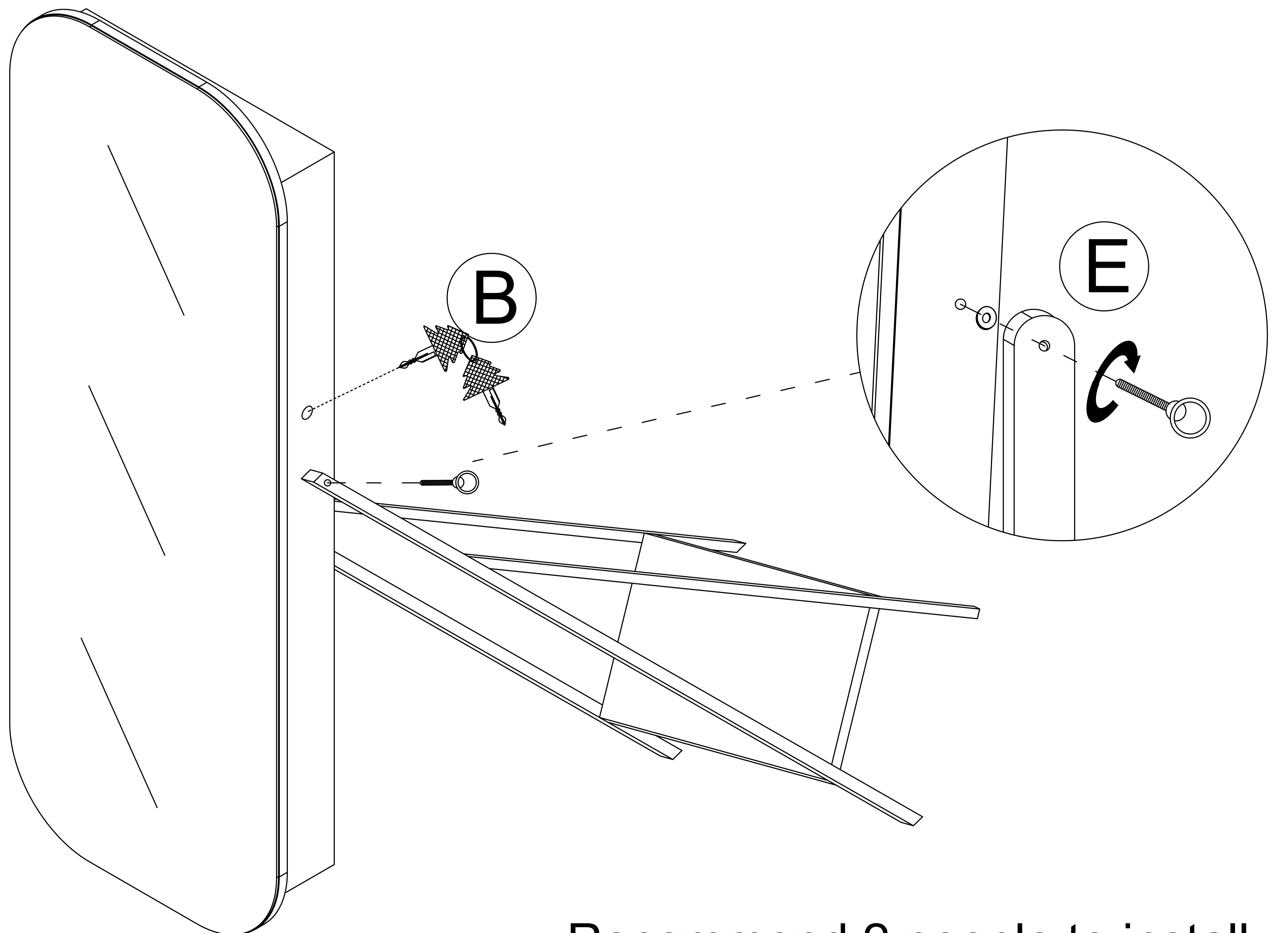
# Floor standing

<b>C</b>		<b>x 2</b>
<b>A</b>	 (6*40mm)	<b>x 6</b>



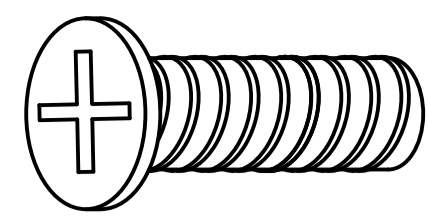
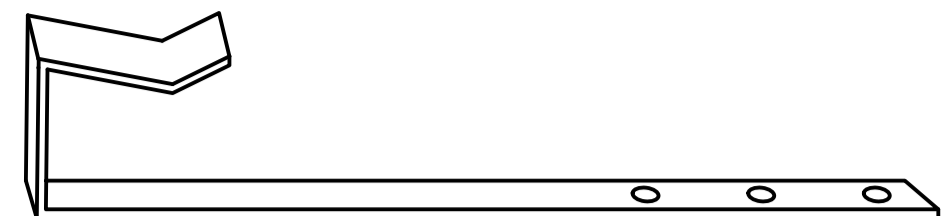
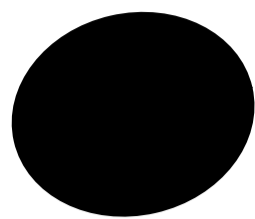
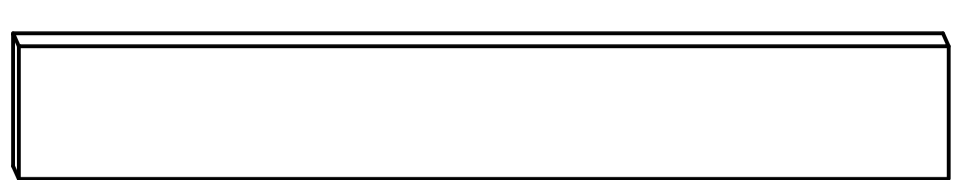
# Step 2

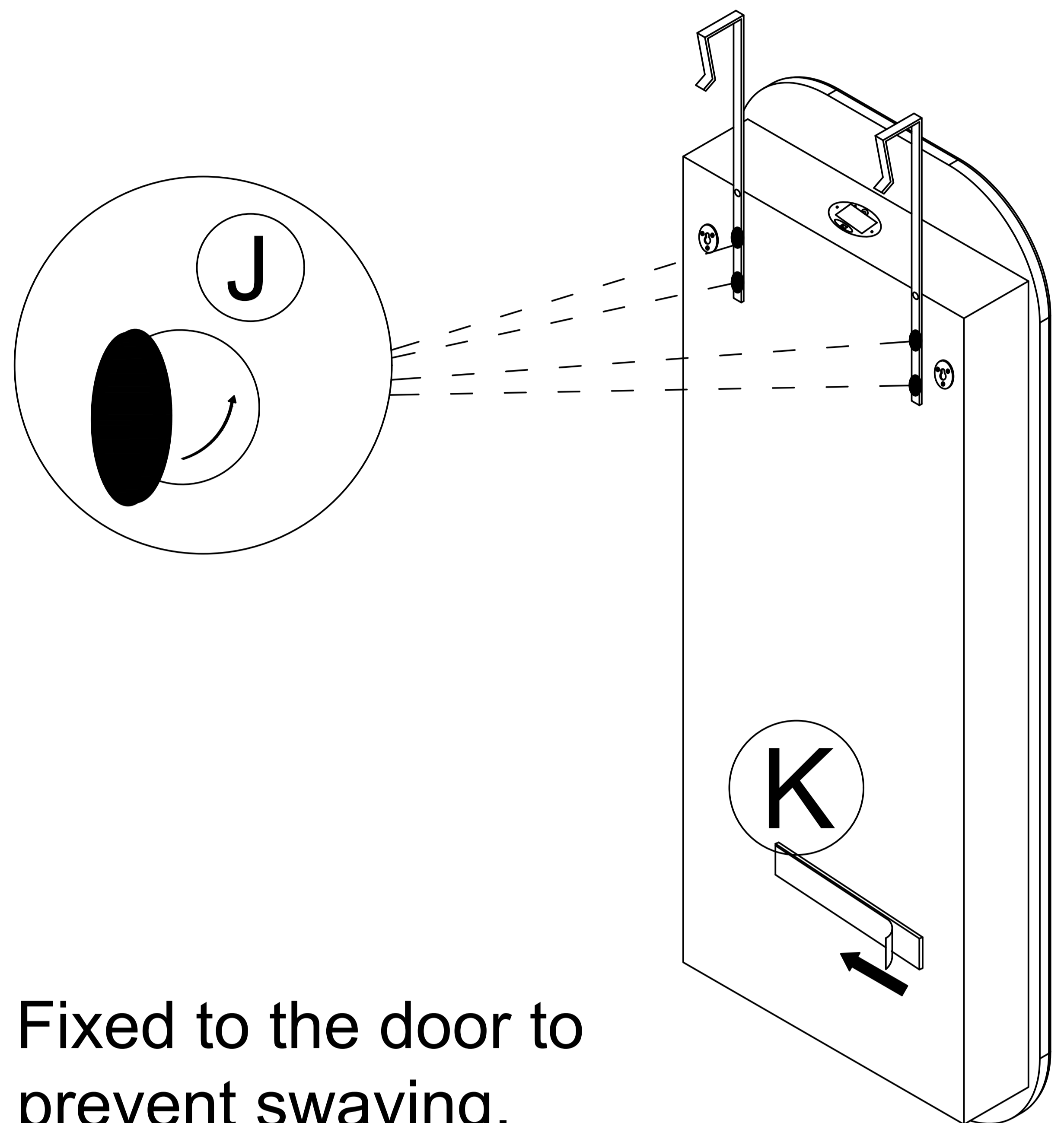
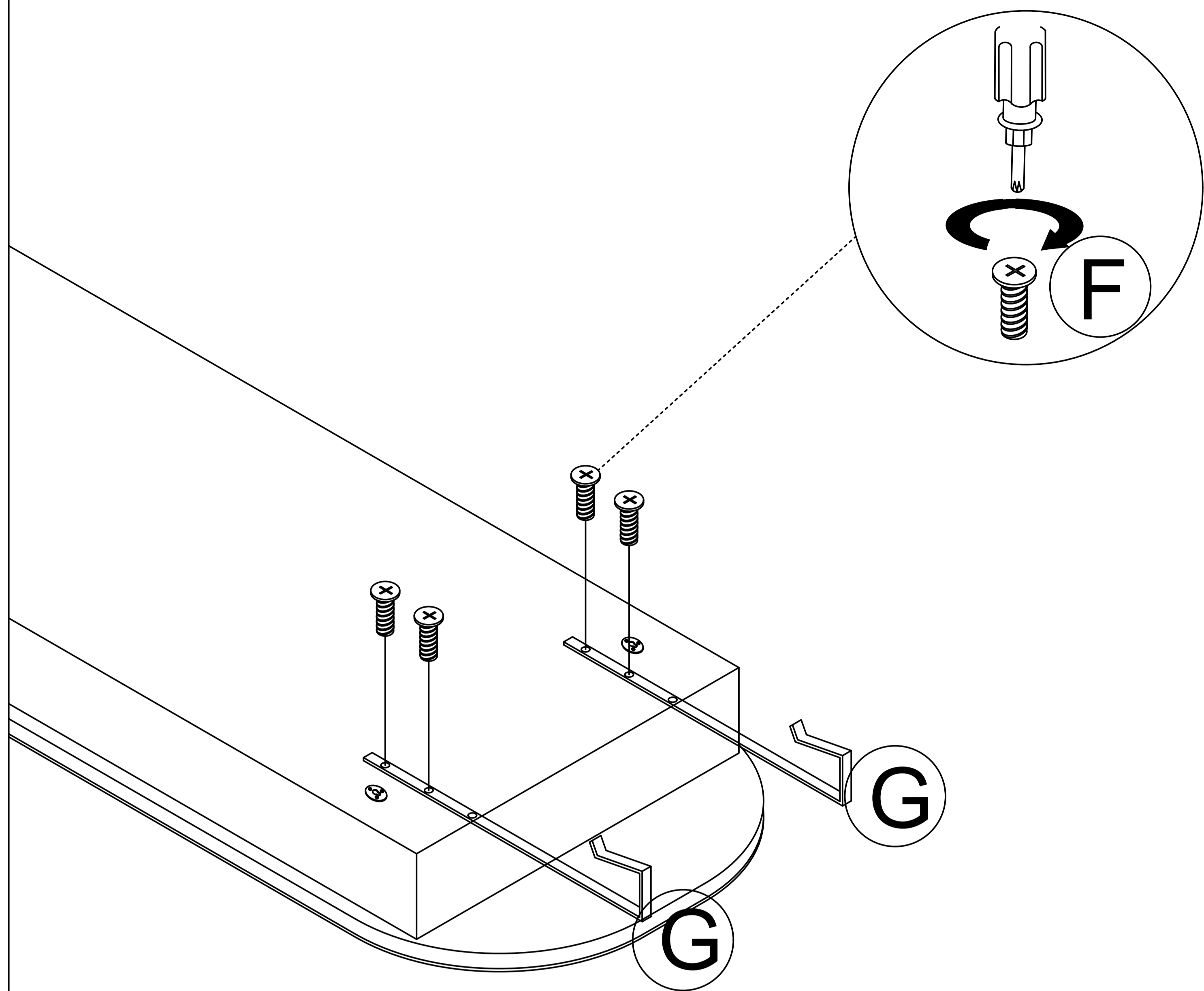
<b>E</b>		<b>x 2</b>
<b>B</b>		<b>x 1</b>



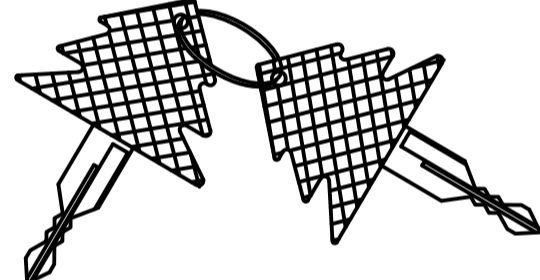
Recommend 2 people to install

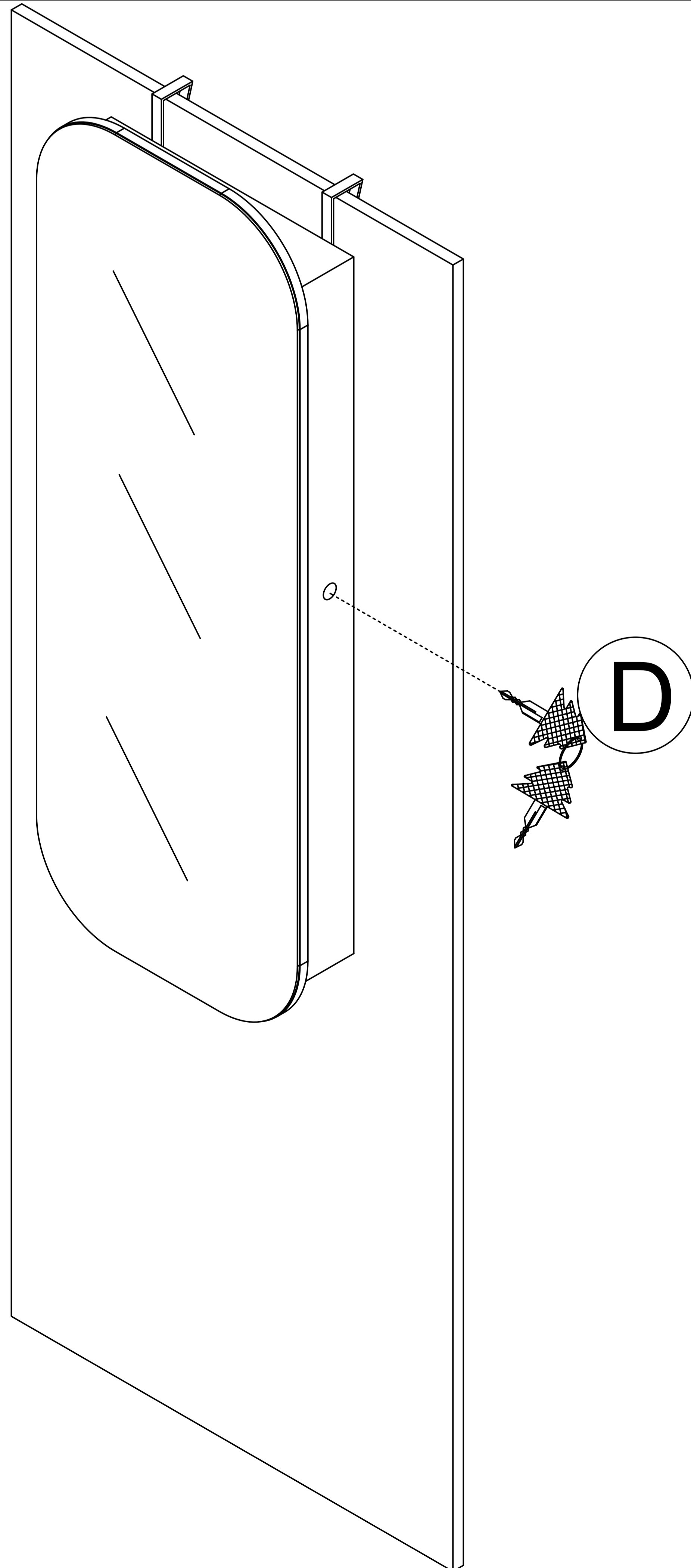
# Over The Door

F		x 4
G		x 2
J		x 4
K		x 1



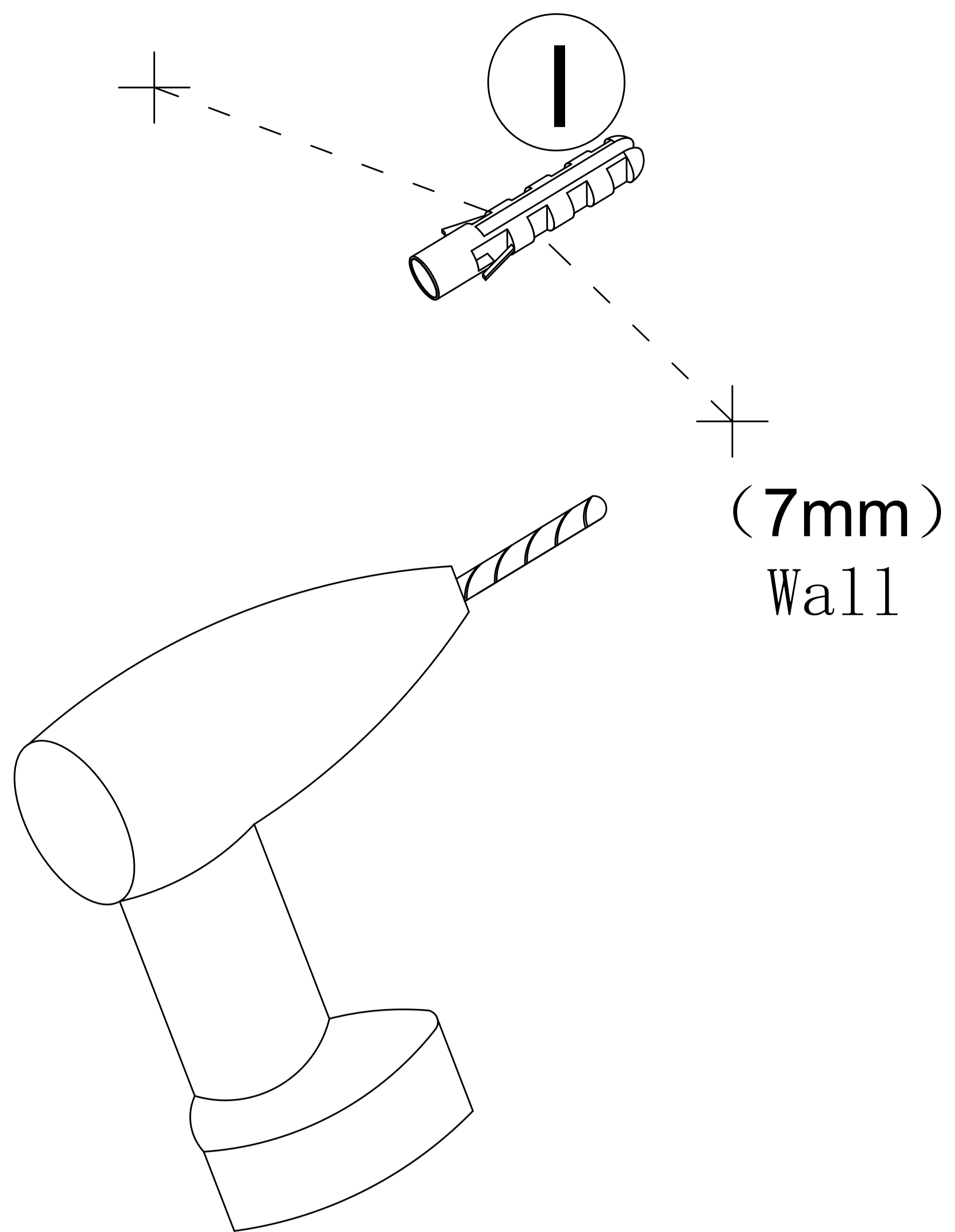
Fixed to the door to prevent swaying.

B		x 1
---	---------------------------------------------------------------------------------------	-----

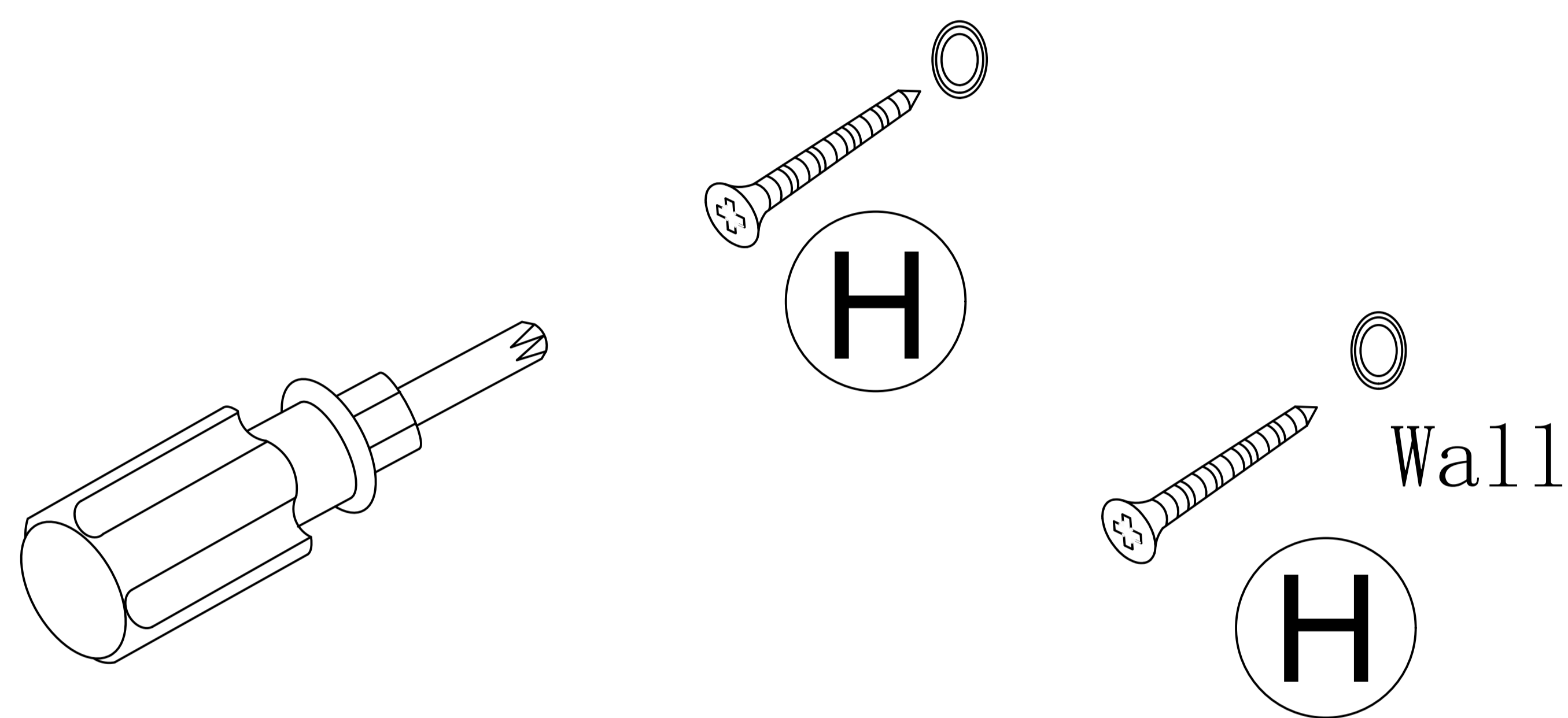
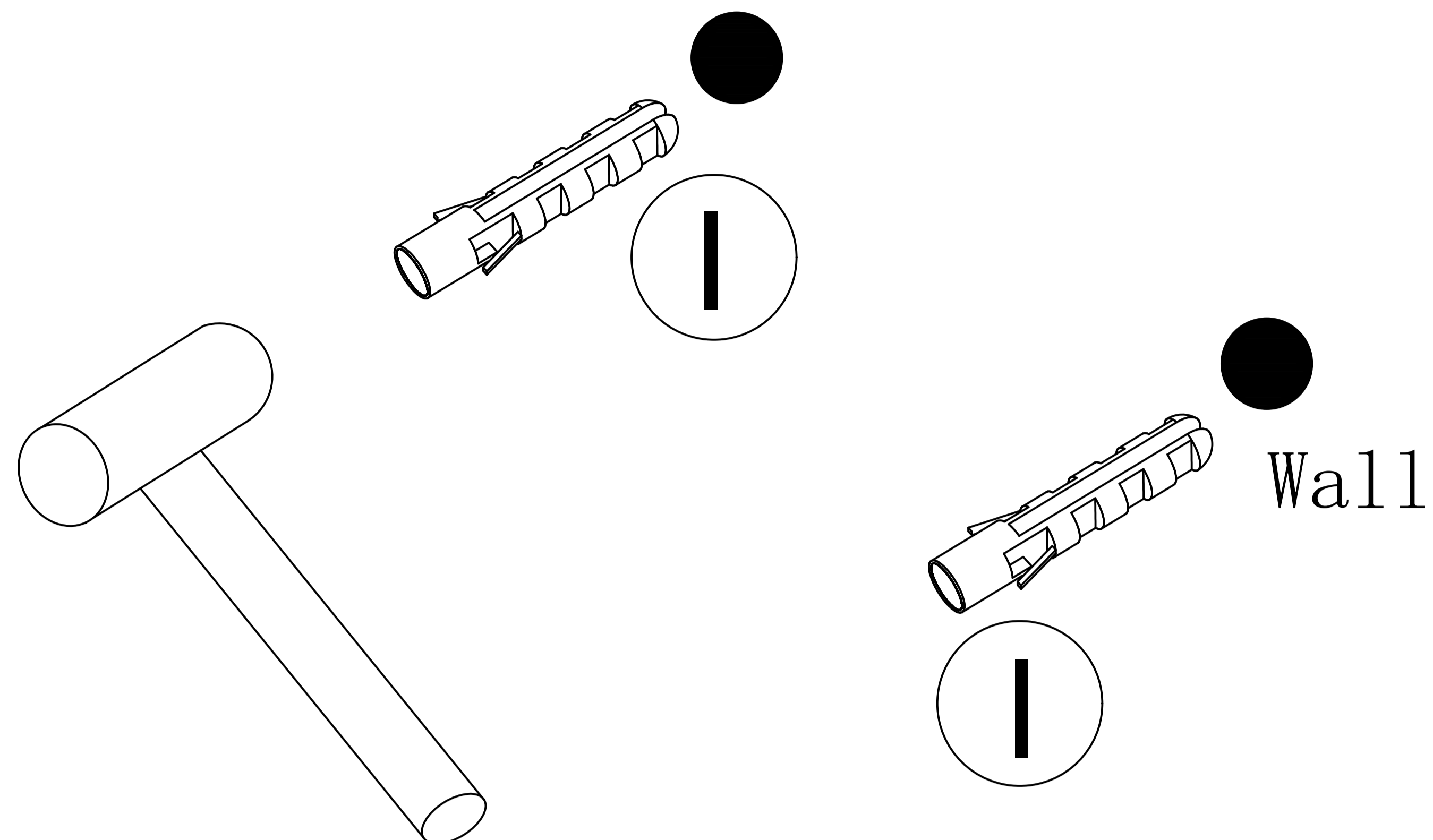


# Wall Mount

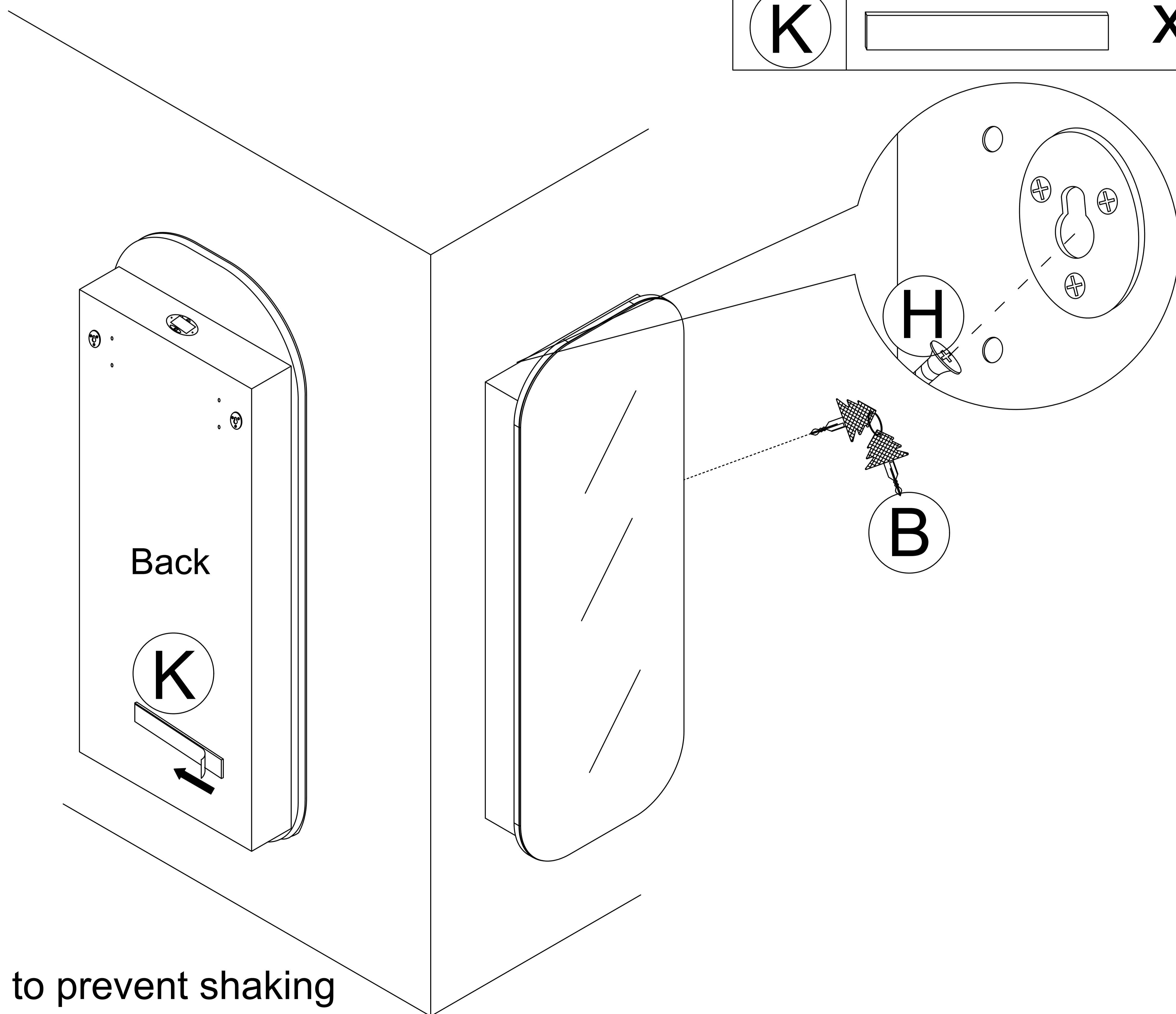
(Tip: Please use your own tools)



(I)		x 2
(H)		x 2



(B)		x 1
(K)		x 1



Fixed to the wall to prevent shaking