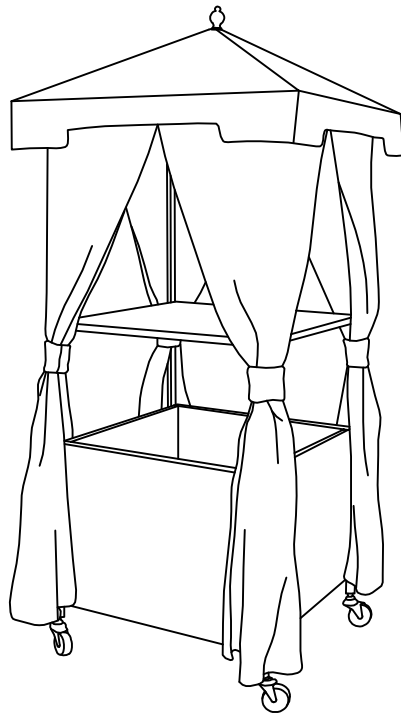
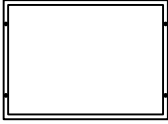

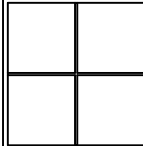
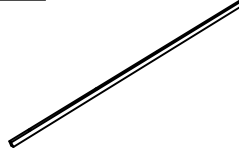
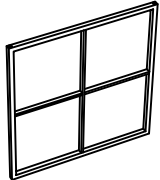
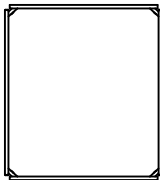
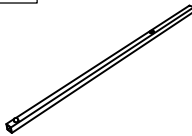

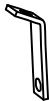







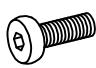
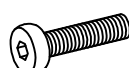
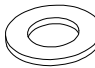

# Outdoor Wicker Float Towel Valet



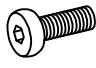
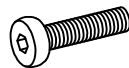

# PART LIST

<b>A</b> 	<b>B</b> 	<b>C</b> 	<b>D</b> 	<b>E</b> 
Long Side Panel 2 PCS	Short Side Panel 2 PCS	Bottom Panel 1 PC	Long Post 4 PCS	Shelf 1 PC
<b>F</b> 	<b>G</b> 	<b>H</b> 	<b>I</b> 	<b>J</b> 
Top Frame 1 PC	Rib 4 PCS	Hub 1 PC	Connector 4 PCS	Finial 1 PC
<b>K</b> 	<b>L</b> 	<b>M</b> 	<b>N</b> 	
Locking Caster 2 PCS	Swivel Caster 2 PCS	Top Cover 1 PC	Fabric Curtain 1 PC	

# HARDWARE LIST

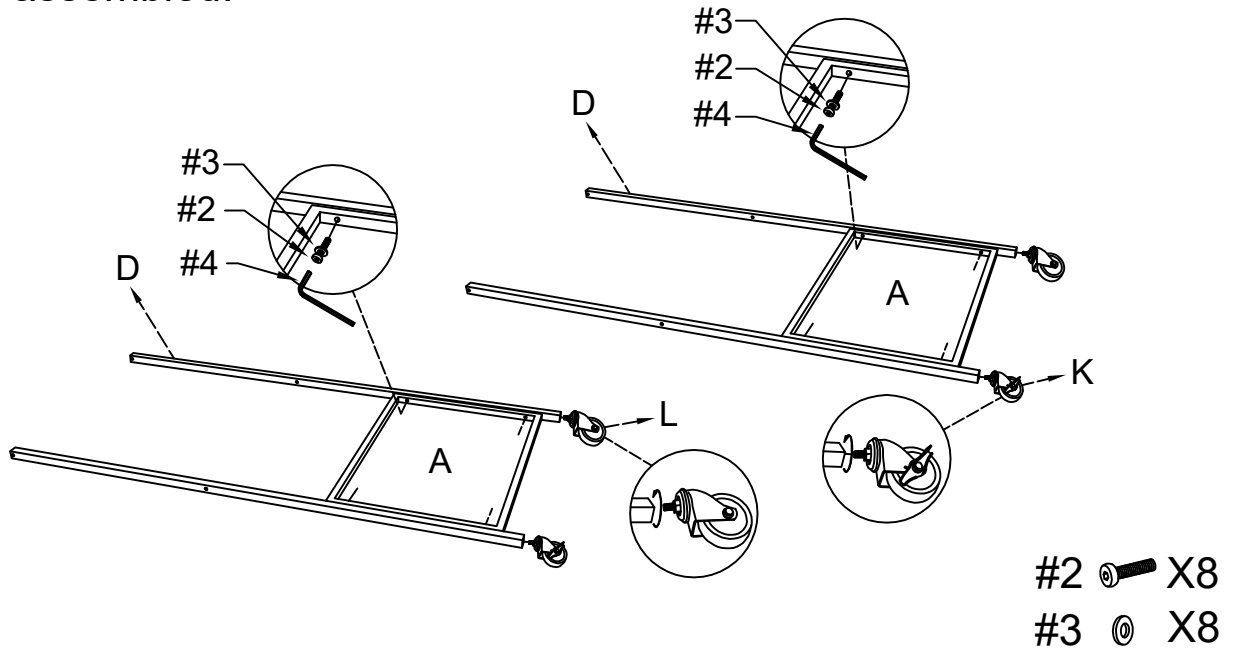
<b>#1</b> 	<b>#2</b> 	<b>#3</b> 	<b>#4</b> 
M6*15mm	M6*40mm	M6mm	M6mm
Short Bolt 8 PCS	Long Bolt 28 PCS	Washer 36 PCS	Allen Key 1 PC

# EXTRA HARDWARE LIST

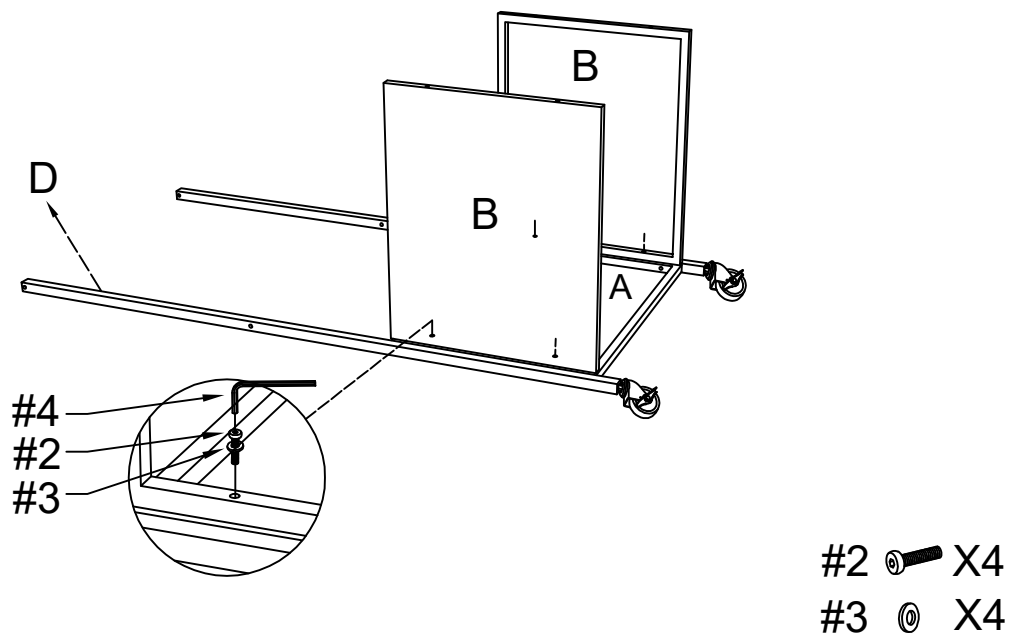
<b>#1</b> 	<b>#2</b> 	<b>#3</b> 
M6*15mm	M6*40mm	M6mm
Short Bolt 2 PCS	Long Bolt 3 PCS	Washer 3 PCS

**Step 1.** Attach long side panels (part #A) to long posts (part #D) using the long bolts (part #2), washers (part #3) and allen key (part #4). Attach swivel casters (part #L) and locking casters (part #K) to long posts (part #D).

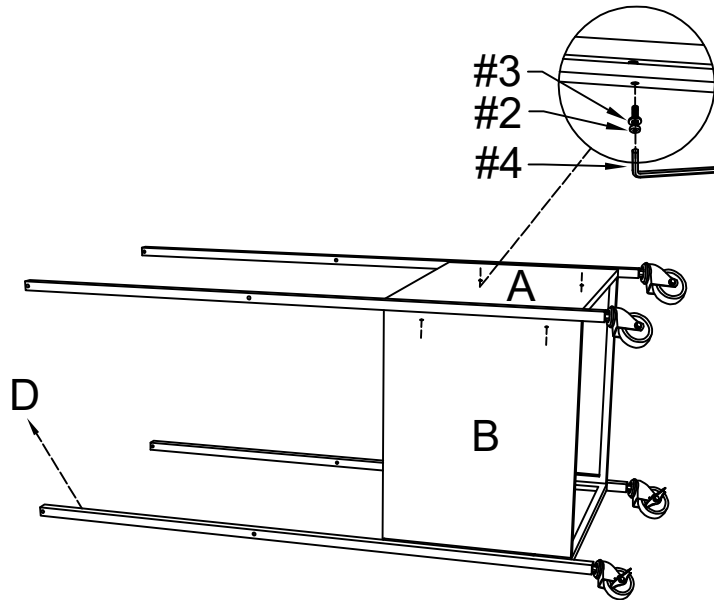
NOTE: Please do not fully tighten bolts until unit is fully assembled.





**Step 2.** Attach short side panels (part #B) to long side panels (part #A) of assembled parts (part #A,D,L&K) using long bolts (part #2), washers (part #3) and allen key (part #4).

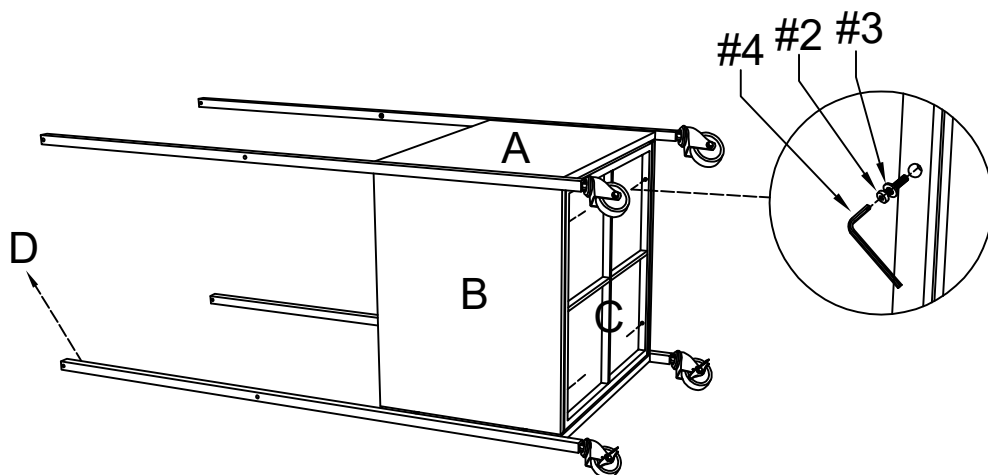




**Step 3.** Attach assembled parts (part #A,D,L&K) to short side panels (part #B) of assembled parts (part #A,B,D,L&K) using long bolts (part #2), washers (part #3) and allen key (part #4).



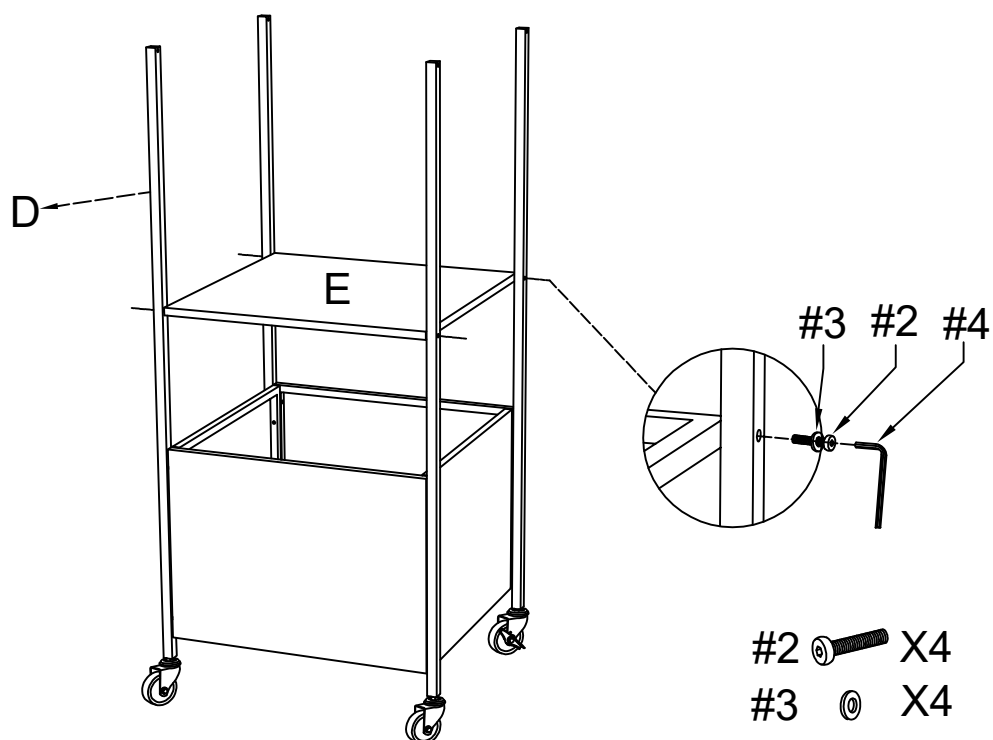
#2  X4  
 #3  X4

**Step 4.** Attach bottom panel (part #C) to short side panels (part #B) of assembled parts (part #A,B,D,L&K) using long bolts (part #2), washers (part #3) and allen key (part #4).

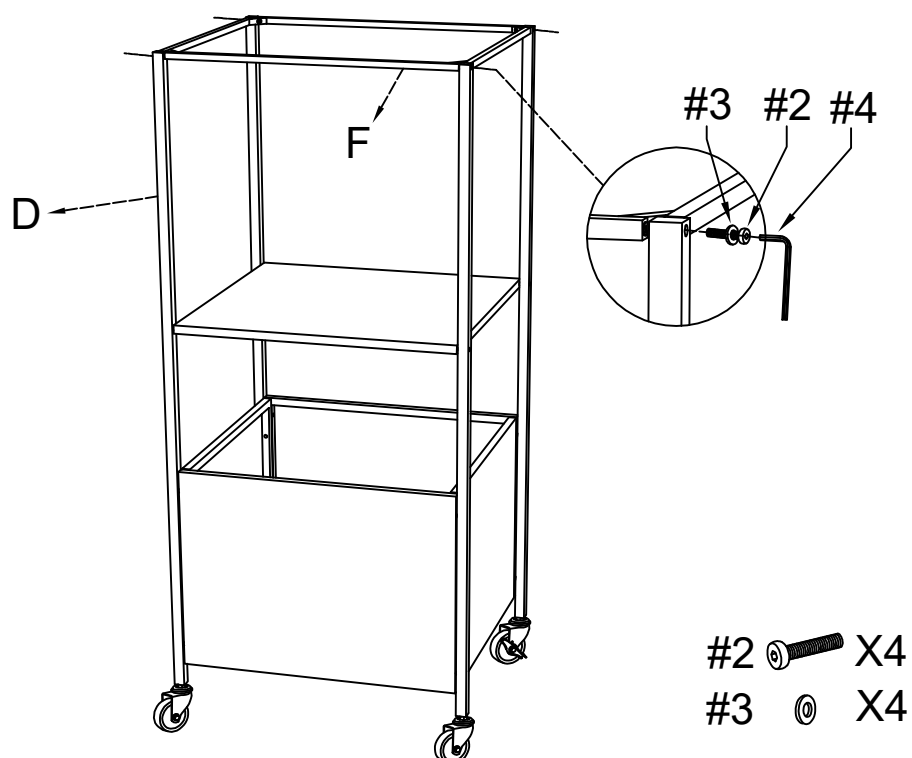


#2  X4  
 #3  X4

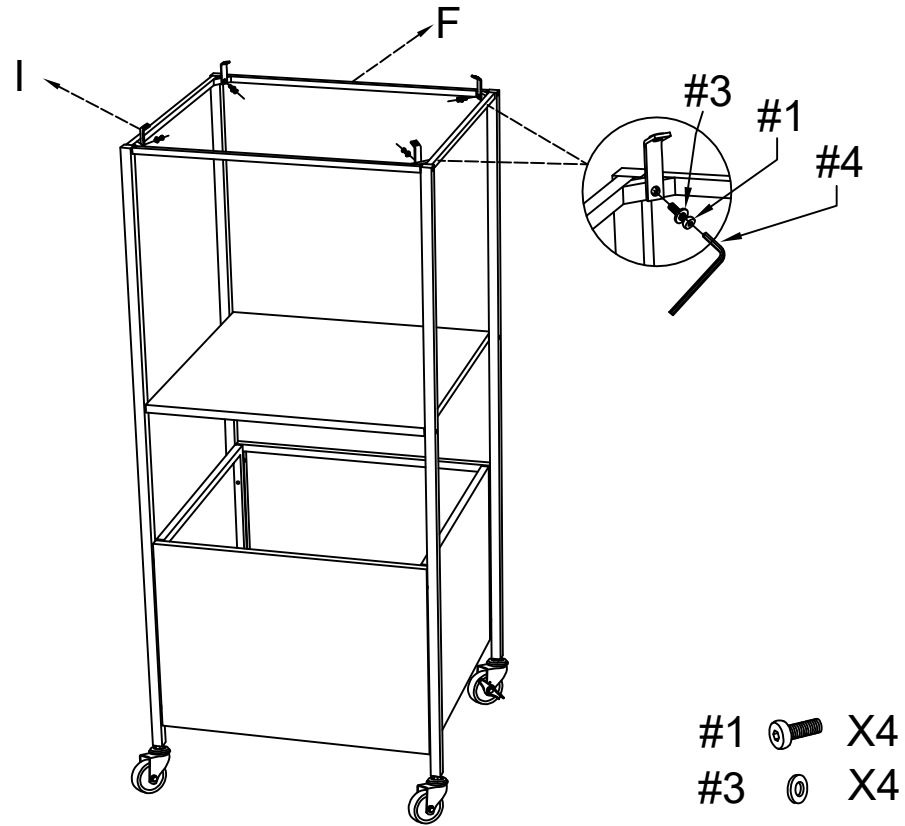
**Step 5.** Attach shelf (part #E) to long posts (part #D) of assembled parts (part #A,B,C,D,L&K) using long bolts (part #2), washers (part #3) and allen key (part #4).



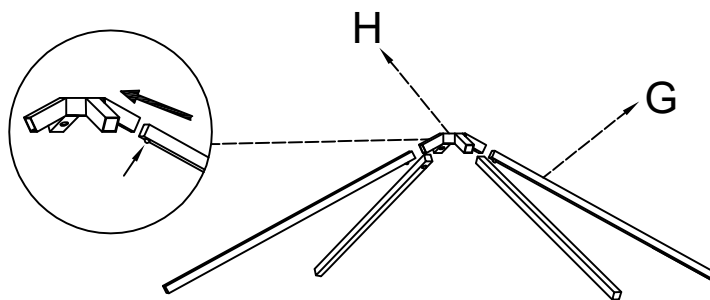
**Step 6.** Attach top frame (part #F) to long posts (part #D) of assembled parts (part #A,B,C,D,E,L&K) using long bolts (part #2), washers (part #3) and allen key (part #4).



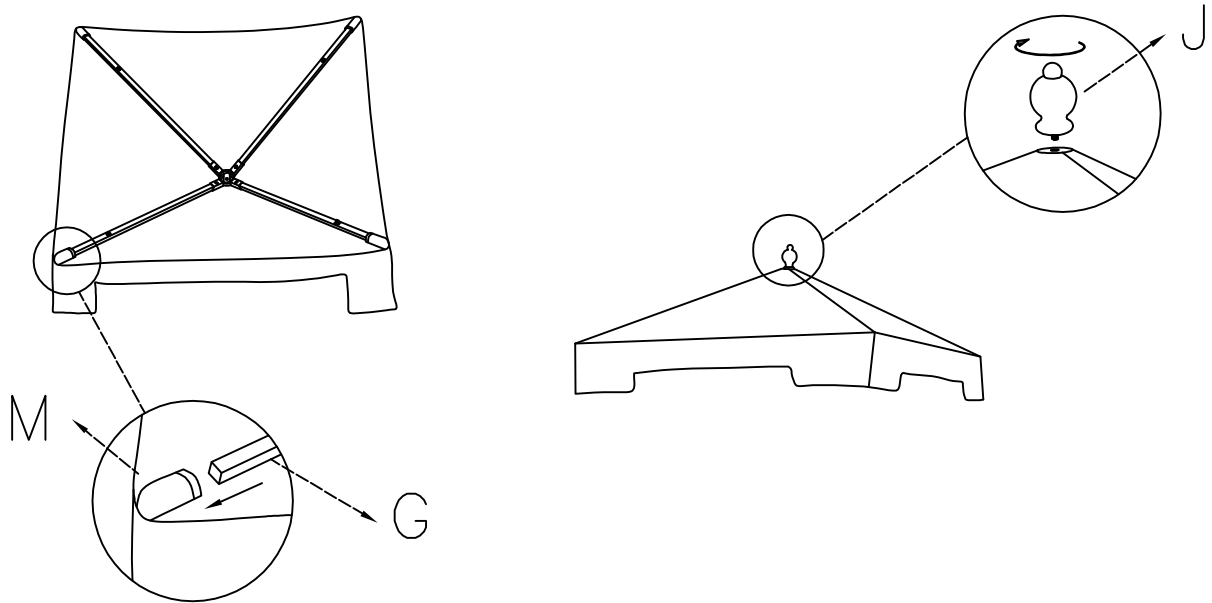
**Step 7.** Attach connectors (part #I) to top frame (part #F) of assembled parts (part #A,B,C,D,E,F,L&K) using short bolts (part #1), washers (part #3) and allen key (part #4).



**Step 8.** Fully insert ribs (part #G) into the hub (part #H) until spring clips click into place.

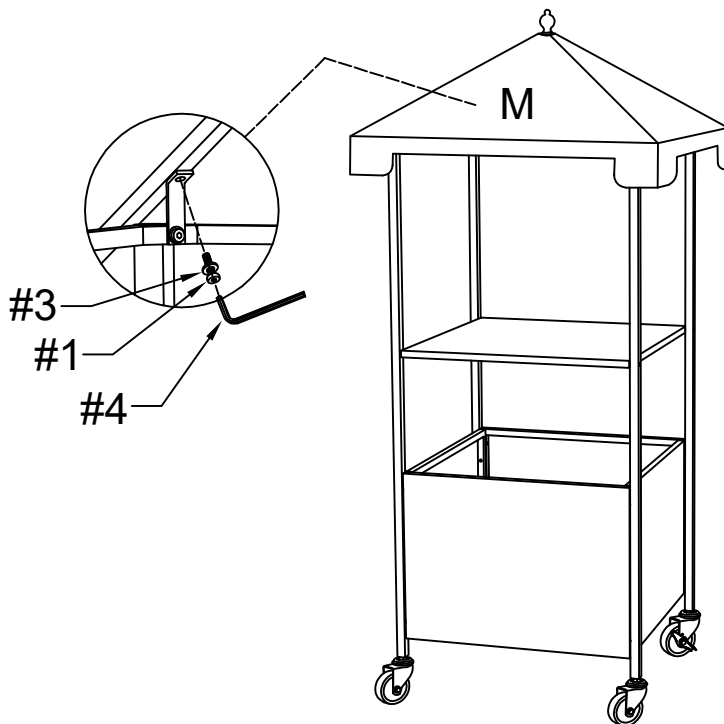




**Step 9.** Unfold top top cover (part #M) and attach to assembled parts (part #G&H) as shown below. Attach finial to hub (part #H) of assembled parts (part #G,H&M) to secure together.



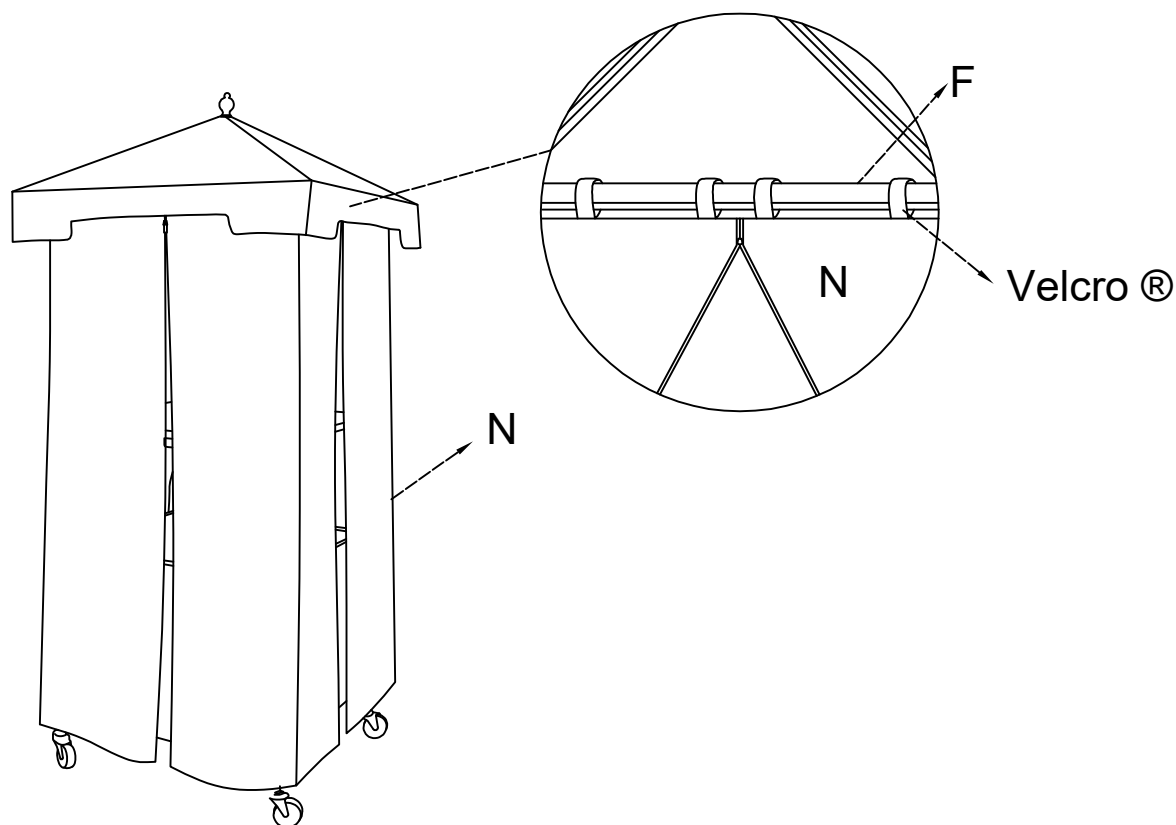
**Step 10.** Attach assembled parts (part #G,H,J&M) to connectors (part #I) of assembled parts (part #A,B,C,D,E,F,I,L&K) using short bolts (part #1), washers (part #3) and allen key (part #4).

NOTE: Please fully tighten all bolts at this time.



#1  X4  
 #3  X4

**Step 11.** Secure fabric curtains (part #N) to top frame (part #F) of the completed unit with Velcro® straps as shown.



**Step 12.** NOTE: Curtains (part #N) can be held open by using the Velcro® straps to secure them to long posts (part #D) of the completed unit as shown below.

