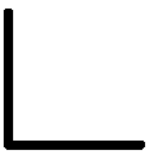
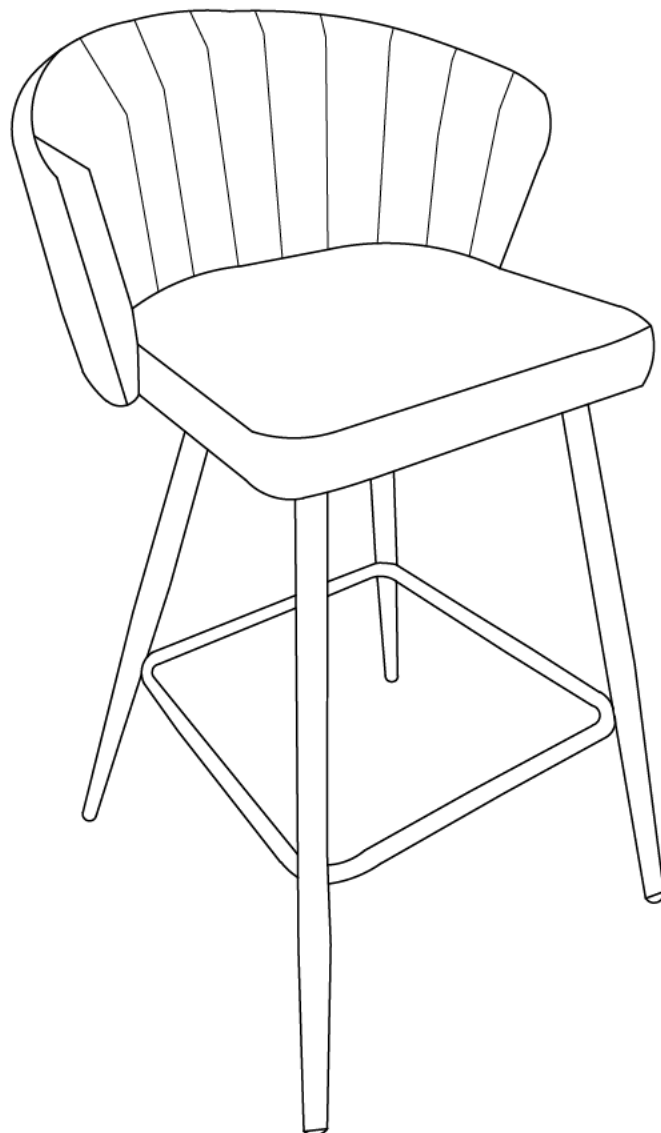
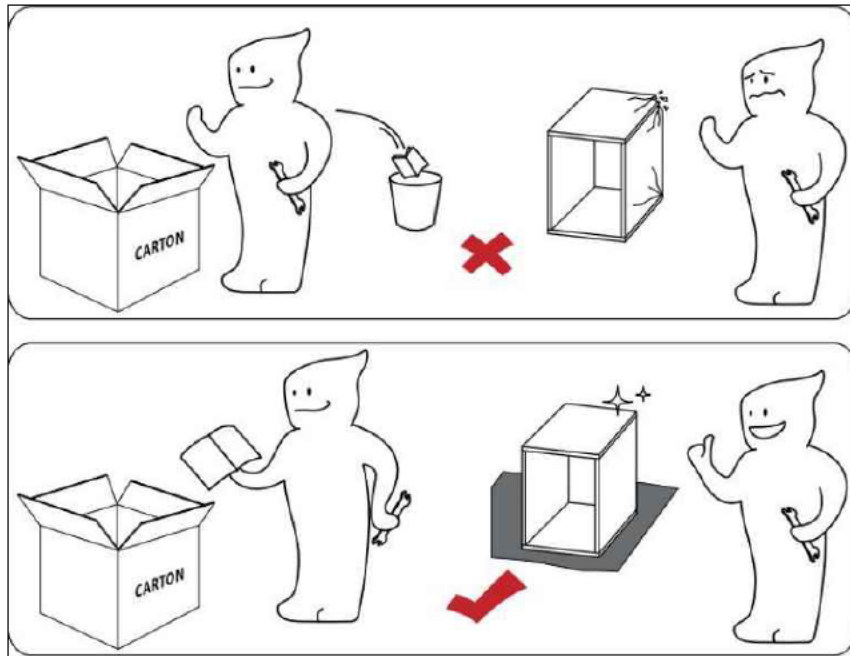
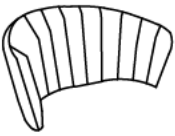













BAR STOOL
Assembly Instructions



Please follow the instruction manuals and use a pad to protect the product during your assembly.

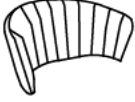





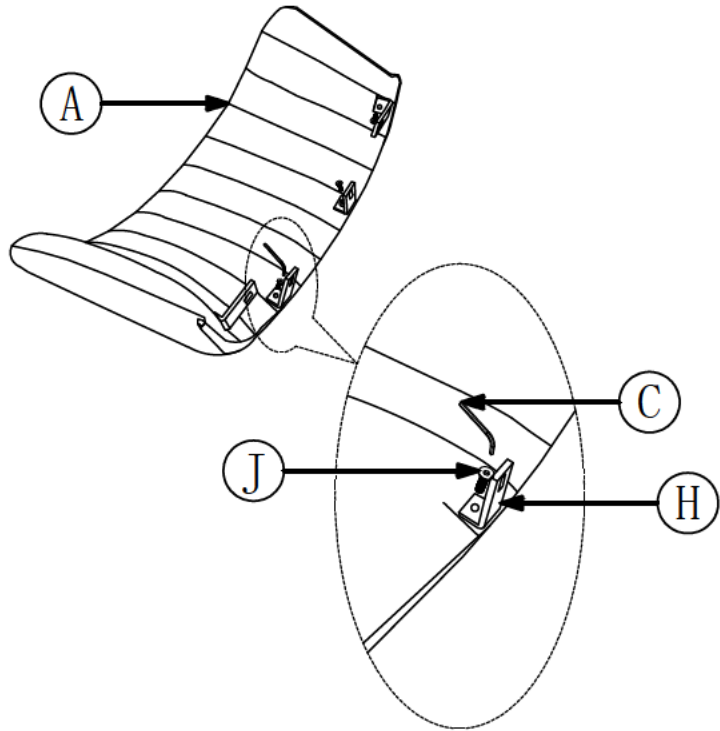
<p>(A) x1</p> 	<p>(B) x1</p> 	<p>(C) x1</p> 
<p>(D) x12</p> 	<p>(E) x1</p> 	<p>(F) x2</p> 
<p>(G) x2</p> 	<p>(H) x4</p> 	<p>(I) x12</p> 
<p>(J) x16</p>  <p>M6*20</p>	<p>(K) x4</p> 	<p>(M) x4</p>  <p>M6*25</p>








Note: During the assembly, please first half-tighten all the screws into the holes. After all the screws are set, fully tighten them.

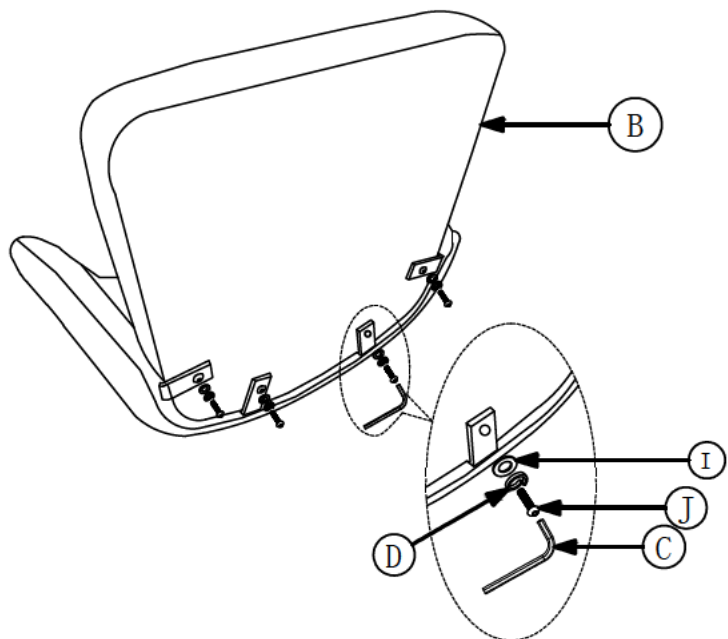
1

(A)		x1
(C)		x1
(H)		x4
(J)		x4



2






(B)		x1
(C)		x1
(D)		x4
(J)		x4
(I)		x4

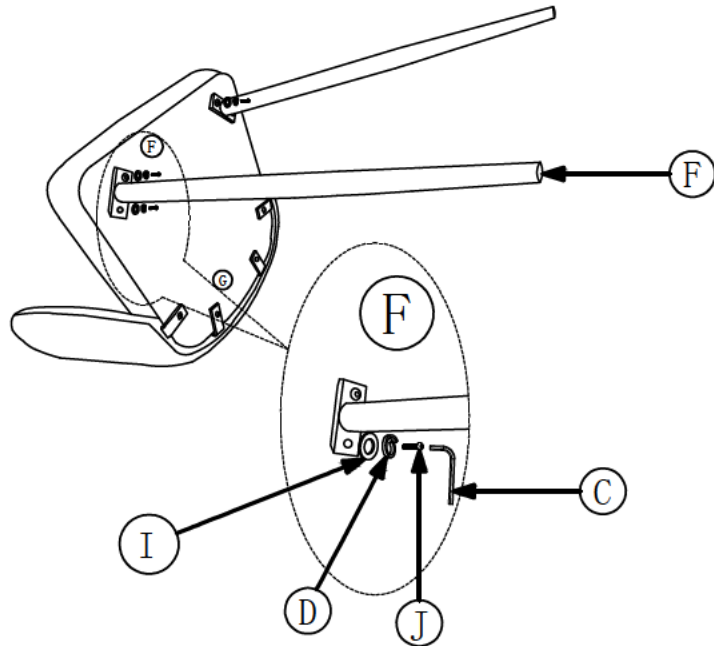









Note: During the assembly, please first half-tighten **all** the screws into the holes. After all the screws are set, fully tighten them.

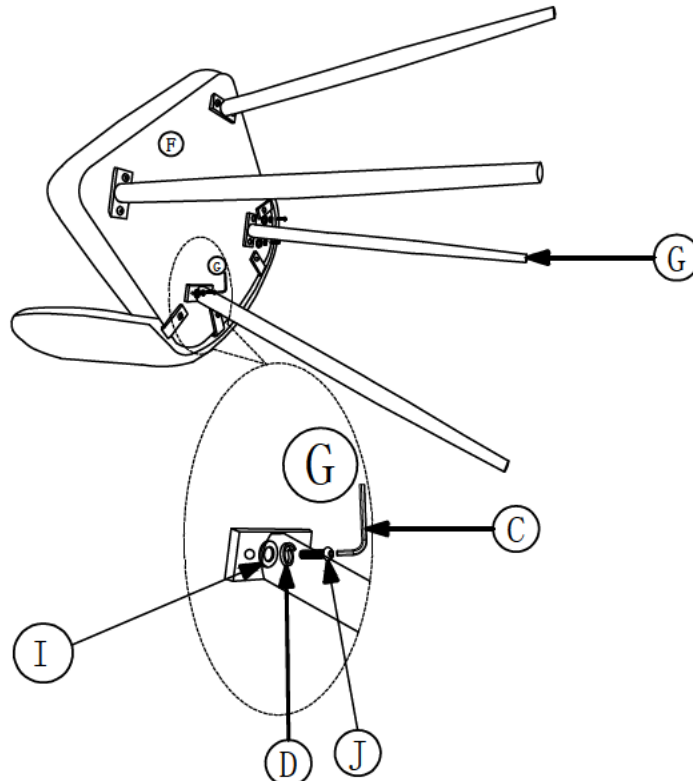
3

(F)		x2
(C)		x1
(D)		x4
(J)		x4
(I)		x4



4




(G)		x2
(C)		x1
(D)		x4
(J)		x4
(I)		x4

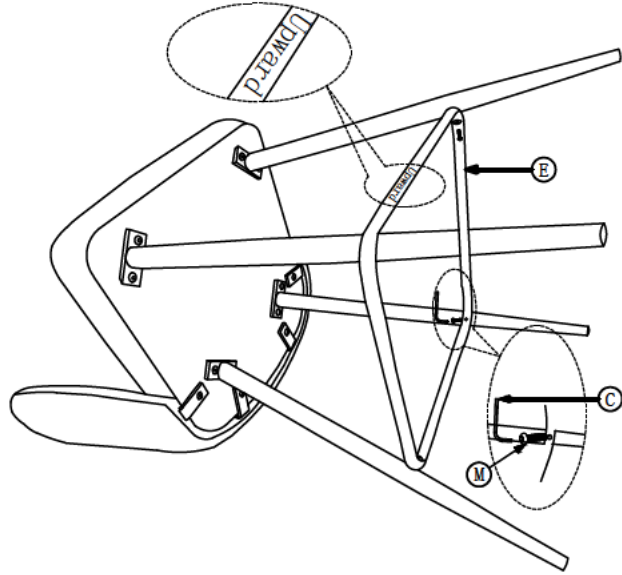




Note: During the assembly, please first half-tighten all the screws into the holes. After all the screws are set, fully tighten them.

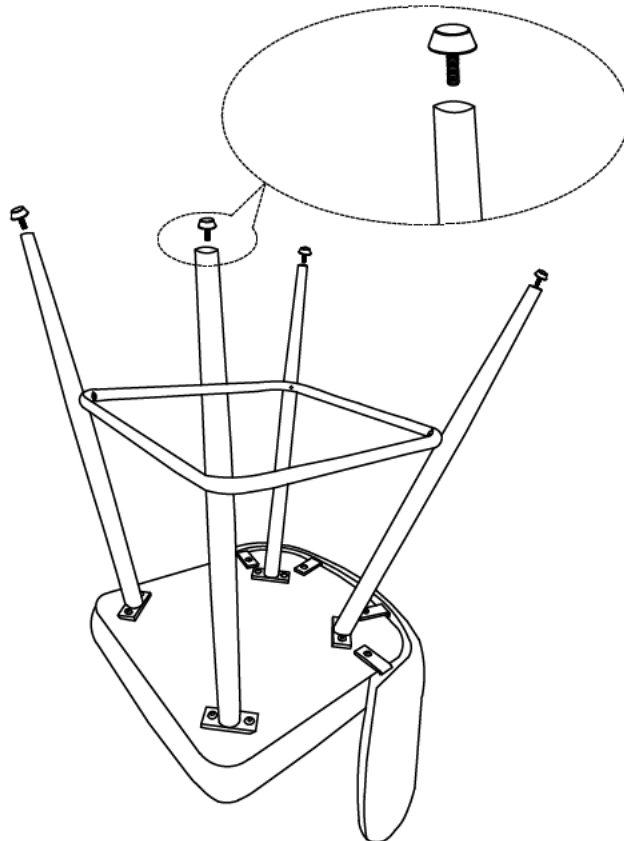
5

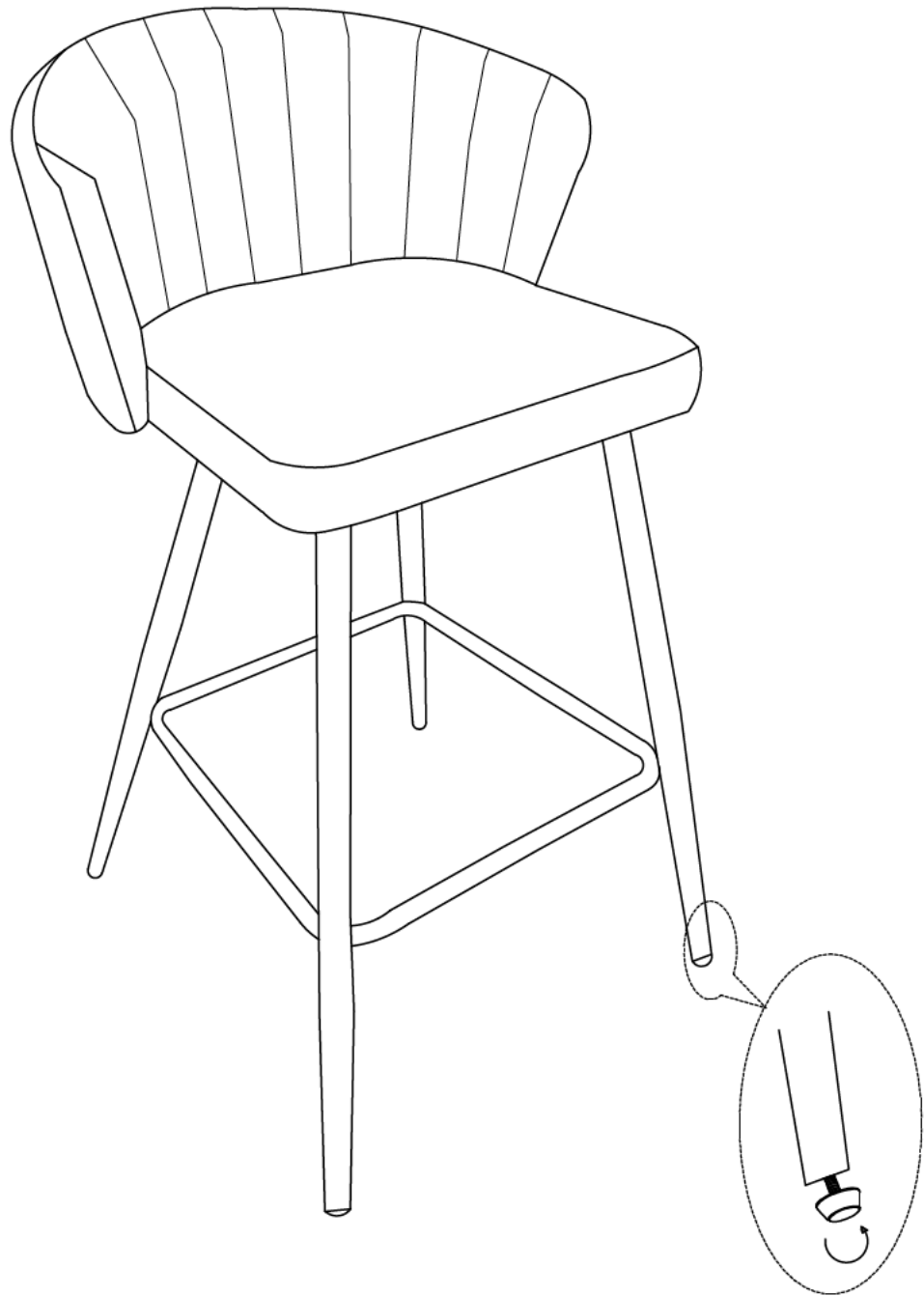
E		x1
C		x1
M		x4



6

K		x4
---	-------------------------------------------------------------------------------------	----





When the floor is uneven, the rubber feet can be adjusted to make the chair stable.