

Assembly Directions for Counter, Bar and XT Chairs

#PECC2131, #PEBC2135, #PEXTC2139



**Comfo-Back
Bar Chair**

PACKAGE CONTENTS

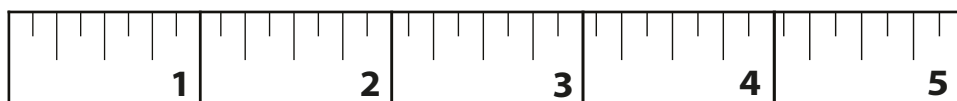
- 1 Back
- 1 Seat
- 2 Arms with Legs
- 1 Footrest
- 1 Hardware Package

HARDWARE PACKAGE

- 4 ¼" x 3" Allen Head Bolts
- 2 ¼" x 3¼" Allen Head Bolts
- 4 ¼" x 3½" Allen Head Bolts
- 2 ¼" x 2½" Allen Head Bolts
- 12 ¼" Flange Nuts
- 4 Acorn Nuts
- 1 Allen Wrench

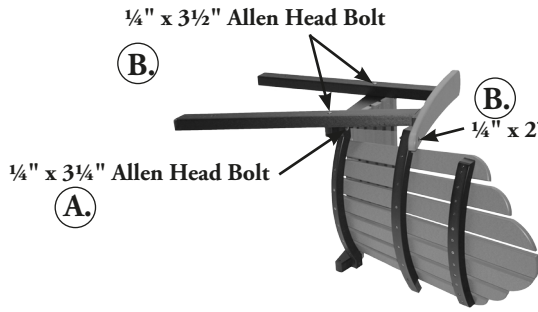
TOOLS NEEDED:

- Hammer
- 7/16" Wrench
- Allen Wrench
(Included)



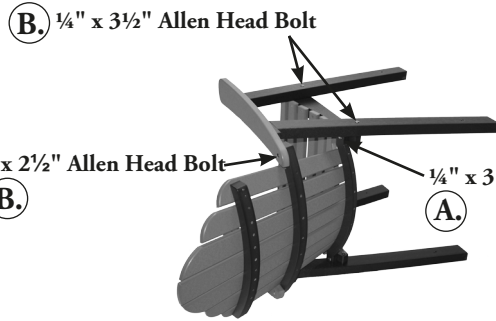
Use to measure bolts



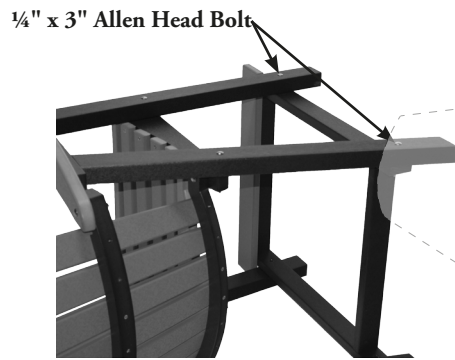


STEP #1 - A. Attach the seat to the back using 1- 1/4" x 3 1/4" Allen Head Bolt and Flange Nuts.

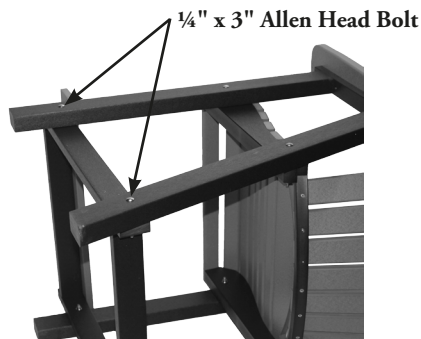
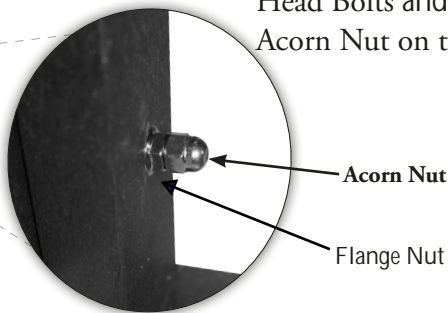
B. Attach the arm assembly to the Seat and Back using 2- 1/4" x 3 1/2" and 1- 1/4" x 2 1/2" Allen Head Bolts and Flange Nuts.



STEP #2 - Turn the chair on other side and repeat Step #1.



STEP #3 - Attach the Footrest to the Legs using 1/4" x 3" Allen Head Bolts and 1/4" Flange Nuts. Second, place Acorn Nut on the end of the Bolt.



STEP #4 - Turn the chair on other side and repeat Step #3.



STEP #5 - Set the chair upright. Your chair is now complete!