

Aluminum Wicker 3 Seater Sofa

Assembly Instructions



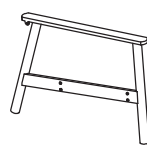
SKU:LCFR9797A

email: domiservice01@outlook.com

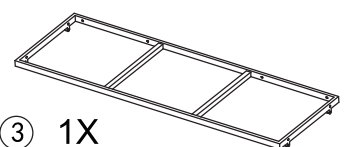
① 1X



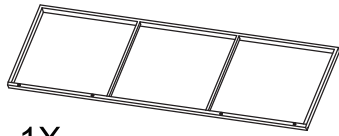
② 1X



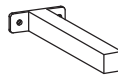
③ 1X



④ 1X



⑤ 2X



⑥ 4X



⑦ 2X



⑧ 12X



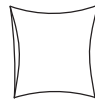
⑨ 18X



⑩ 3X



⑪ 3X



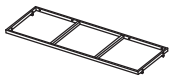
⑫ 2X



⑬ 1X



① 1X



③ 1X



⑧ 4X

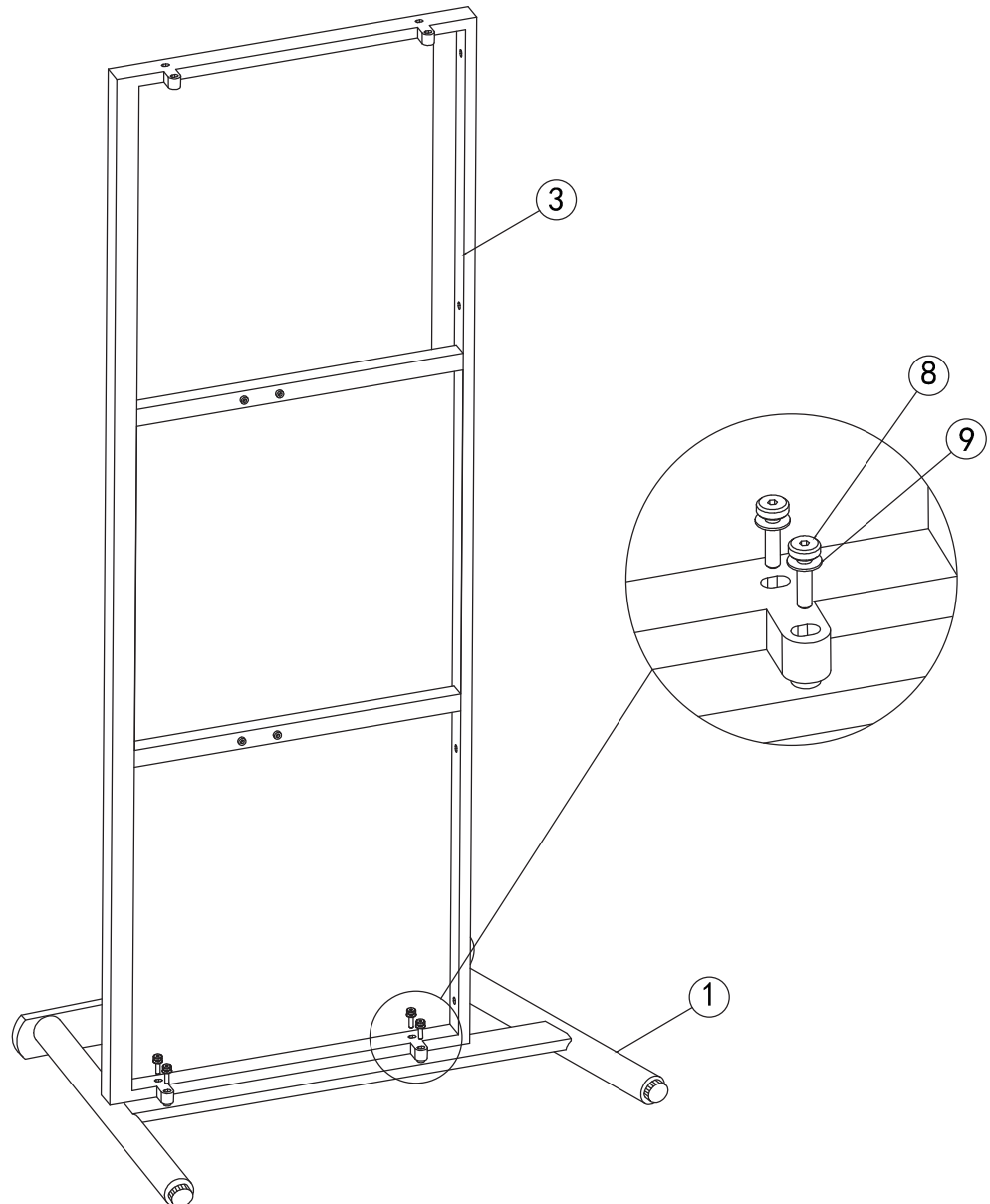


⑨ 4X



⑬ 1X

Step1



▲ Warm Tip: Please don't tighten screws before finishing assemble.

Step2



② 1X



M6X35

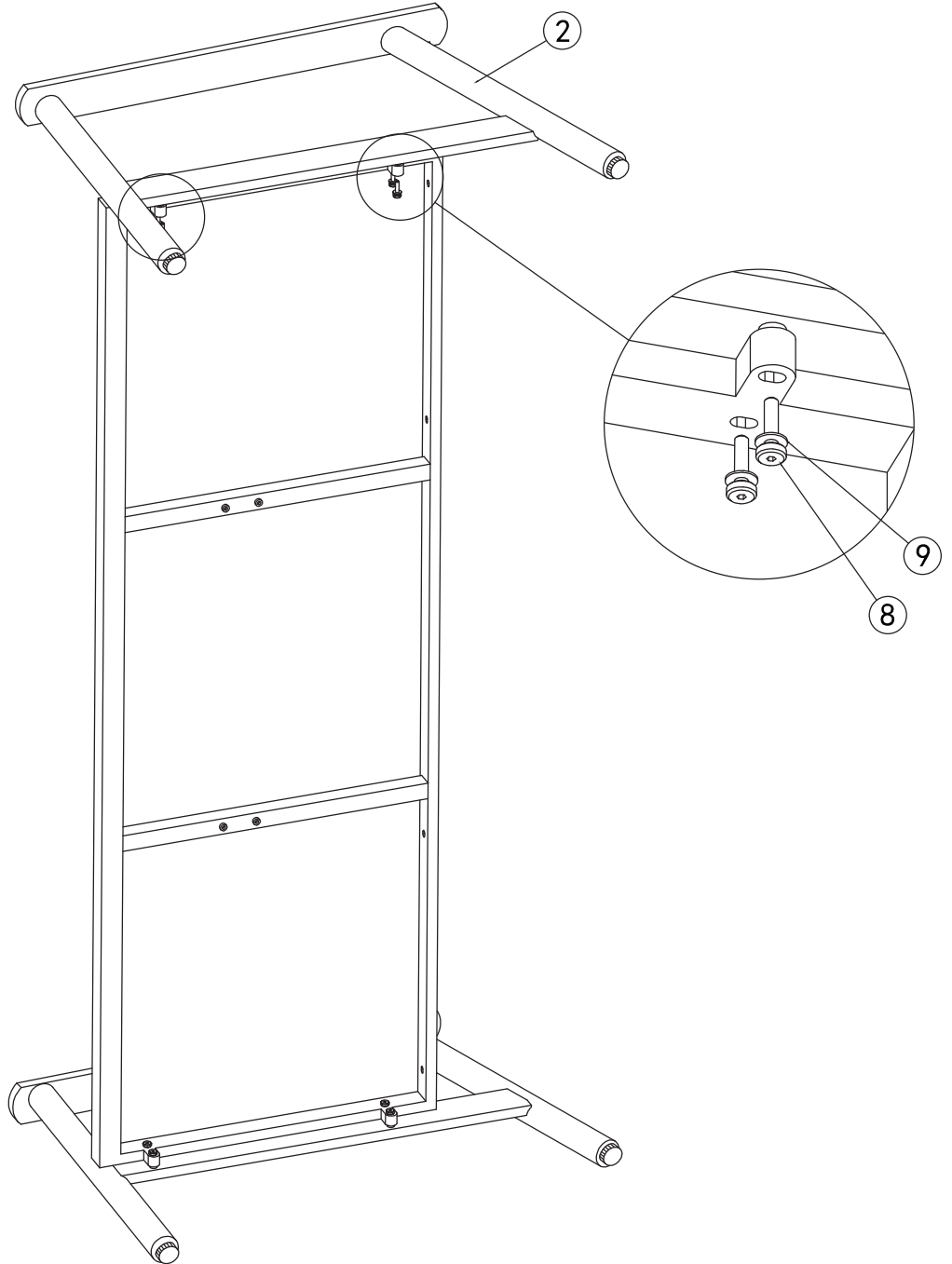
⑧ 4X



⑨ 4X

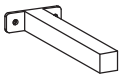


⑬ 1X



▲ Warm Tip: Please don't tighten screws before finishing assemble.

Step 3



⑤ 2X



M6X20

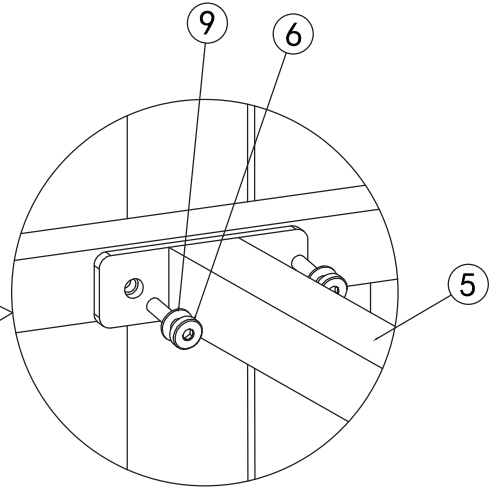
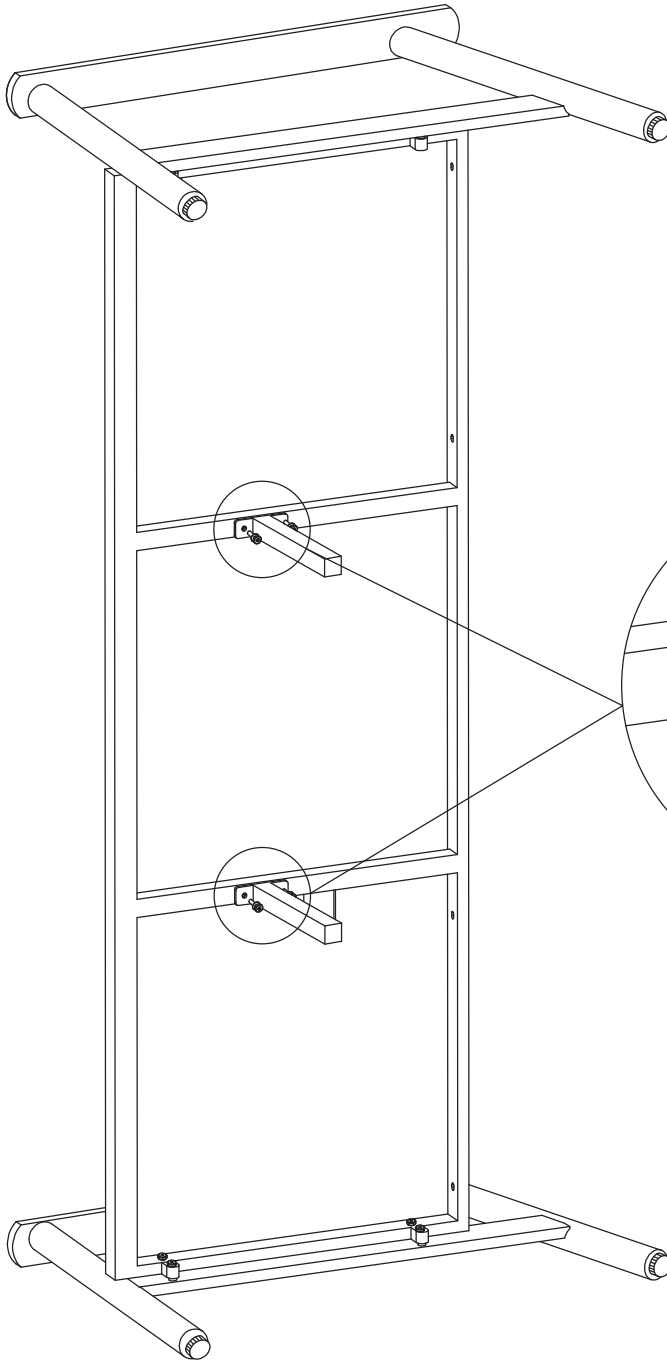
⑥ 4X

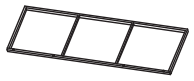


⑨ 4X



⑬ 1X





④ 1X



M6X25

⑦ 2X



M6X35

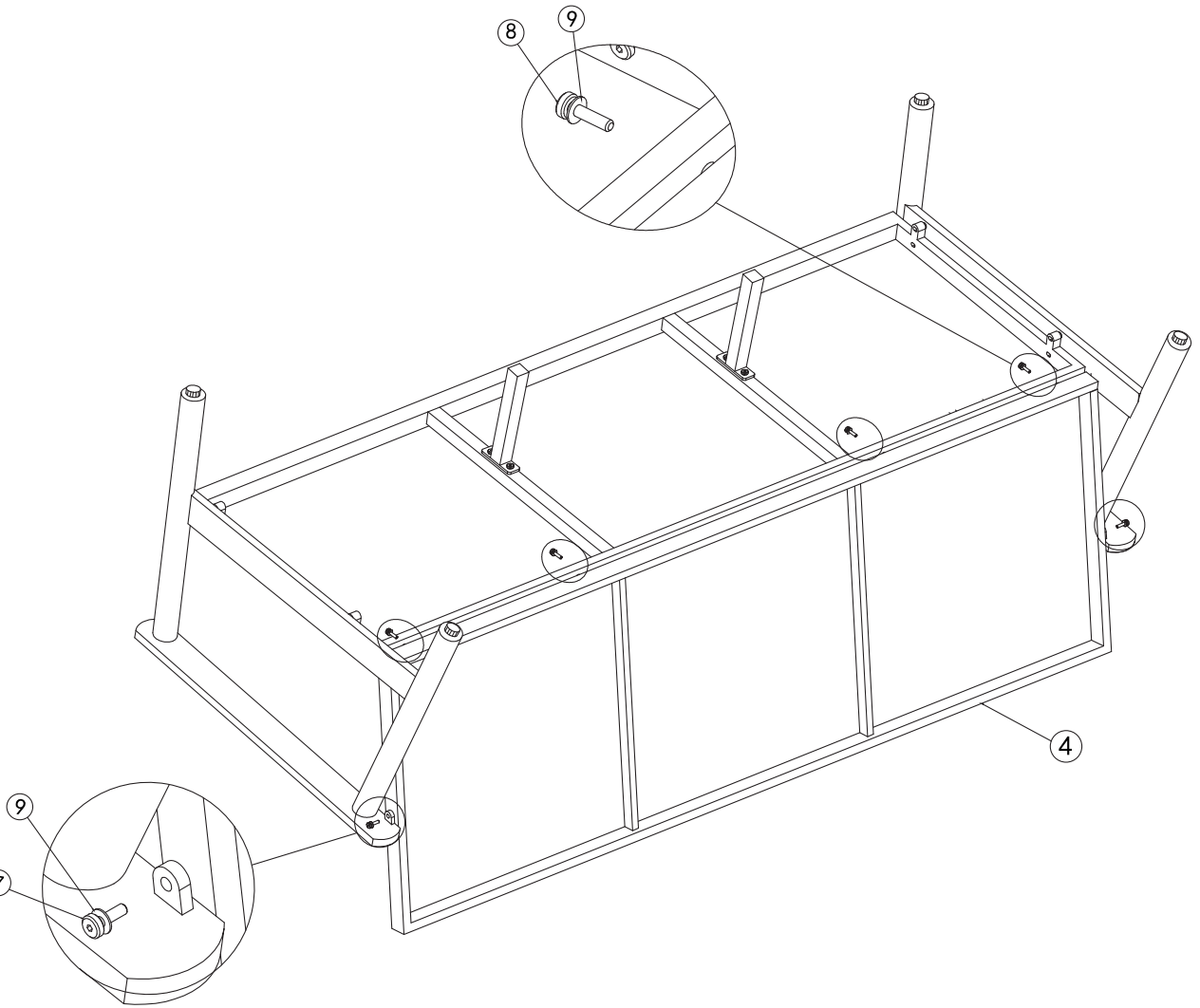
⑧ 4X



⑨ 6X



⑬ 1X



▲ Warm Tip: Please don't tighten screws before finishing assemble.



⑩ 3X



⑪ 3X



⑫ 2X

Step5

