

# DREAMS

IDEA

Instruction Manual



DREAMS/DEA

NO.CS0006-E1-OTTOMAN-2ST

---

# NOTICE

THE PILLOWS ARE FILLED WITH CUT SPONGE,  
WHICH IS A PRODUCING TECHNIQUE.

WE PROMISE THAT ALL RAW MATERIALS  
USED ARE BRAND NEW, SAFE TO USE,

AND IN ACCORDANCE WITH LAWS AND REGULATIONS,  
WILL NOT EFFECT THE QUALITY AND SAFETY.

WE RECOMMEND ASK FOR PROFESSIONAL HELP IF NEEDED,  
AND WE ALSO PROVIDE INSTALLATION VIDEO WITH THIS INSTRUCTIONS,  
PLEASE CHECK THE STEPS CAREFULLY BEFORE YOU START.

IF YOU HAVE ANY QUESTIONS,  
PLEASE FEEL FREE TO CONTACT US ANYTIME.

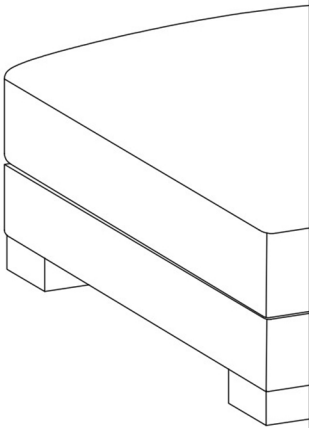
HAVE A GREAT DAY!



ITEM NO.CS0006-E1-OTTOMAN-2ST

# WARRANTY

We strive to offer high quality product and we also try our best to satisfy each customer that order from us, no matter on products or services as needed. Each customer receives a record of their order, such as the order number or item receipt. For any items that are out of warranty period, you may still be able to purchase the replacement parts from our company if they are available.



Are you having difficulty  
with assembly? Missing parts?

Please contact us : [info@firstopintl.com](mailto:info@firstopintl.com)

Tel:(562)-781-3327

send an email with your order No. to us

For return, please check the return policy with  
the retailer or platforms you bought from.

Appreciate your purchasing from us.

Pop up your life by our furniture !

# MAINTENANCE AND WARNING

Please read the manual thoroughly  
before you start installing.

Please keep the product away from  
sharp object.

Packaging and small parts may have  
chocking hazard, please keep them away  
from children and pets.

Please clean the product according to each  
clean code, check the product description  
for more information.

Please keep the product away from  
fire.

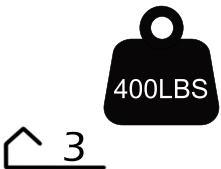
If you have any other questions, please  
contact us, we will be glad to help you out.

If the product is placed under direct  
sunlight, the pattern or color might fade  
away overtime.

Check the product periodically to make  
sure everything is secured and tightened.

Always use proper tools for installation.

Do not jump on the product.



Around 15 min

# PRDOUCT DESCRIPTION

Modular Flexibility: Comes with two ottomans for customizable layouts that adapt to any living space or occasion.

Plush Corduroy Finish:  
Upholstered in premium corduroy with high cotton content for a soft, breathable feel and subtle texture.

Layered Cushioning: Seat cushions filled with foam, fiber, and supportive springs for lasting comfort and shape retention.

Solid Wood Support: Durable frame and legs crafted from real wood ensure reliable strength and natural visual warmth.

Everyday Elegance: A versatile look that combines laid-back comfort with timeless design, perfect for modern homes.

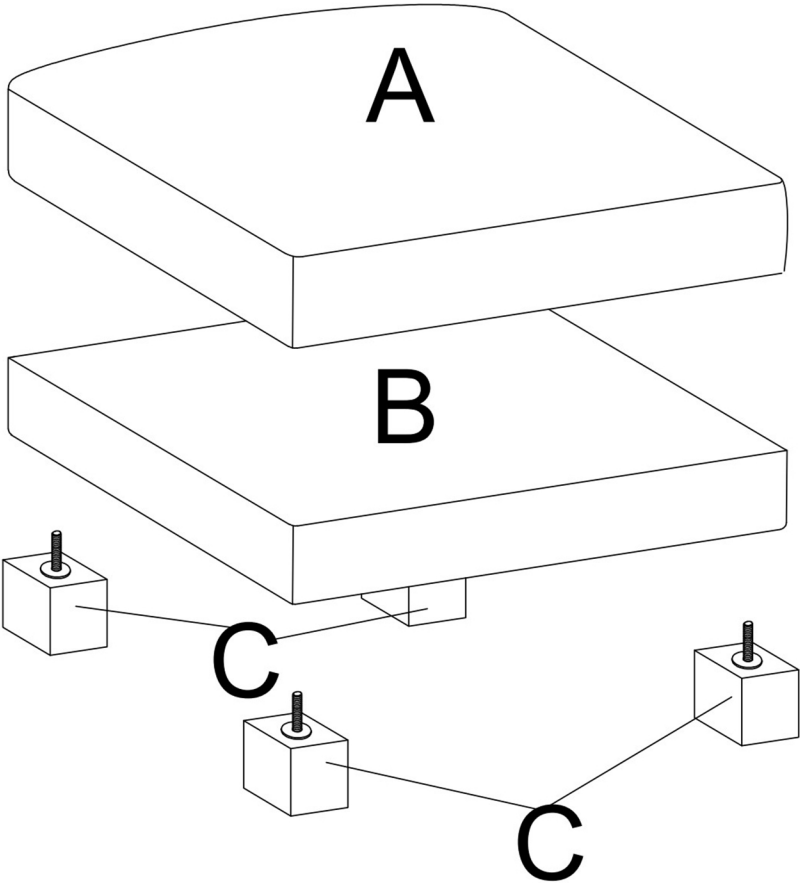
Dream



House

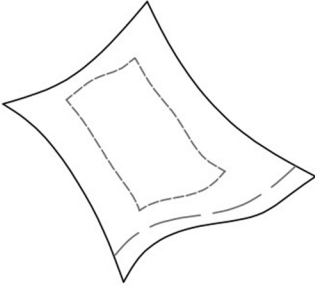


# EXPLODED VIEW



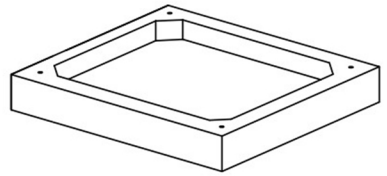
# PARTS

A\*2



Seat cushion

B\*2



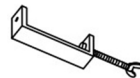
Seat frame

C\*8



Legs

D\*1



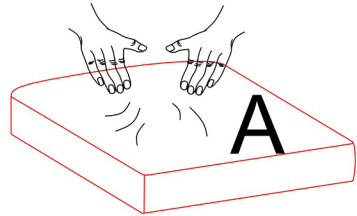
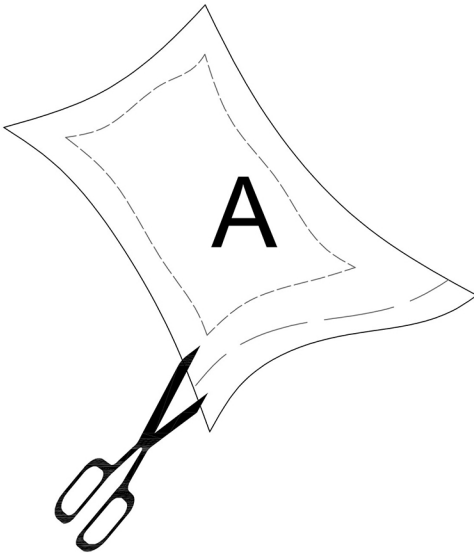
HOOK

# step 1

After taking out of the cushions (A) from the air compression bag, please allow it to recover for a period of time. It might take up to 48 hours to be fully recovered, you may gently slap onto the cushion to speed up the process.



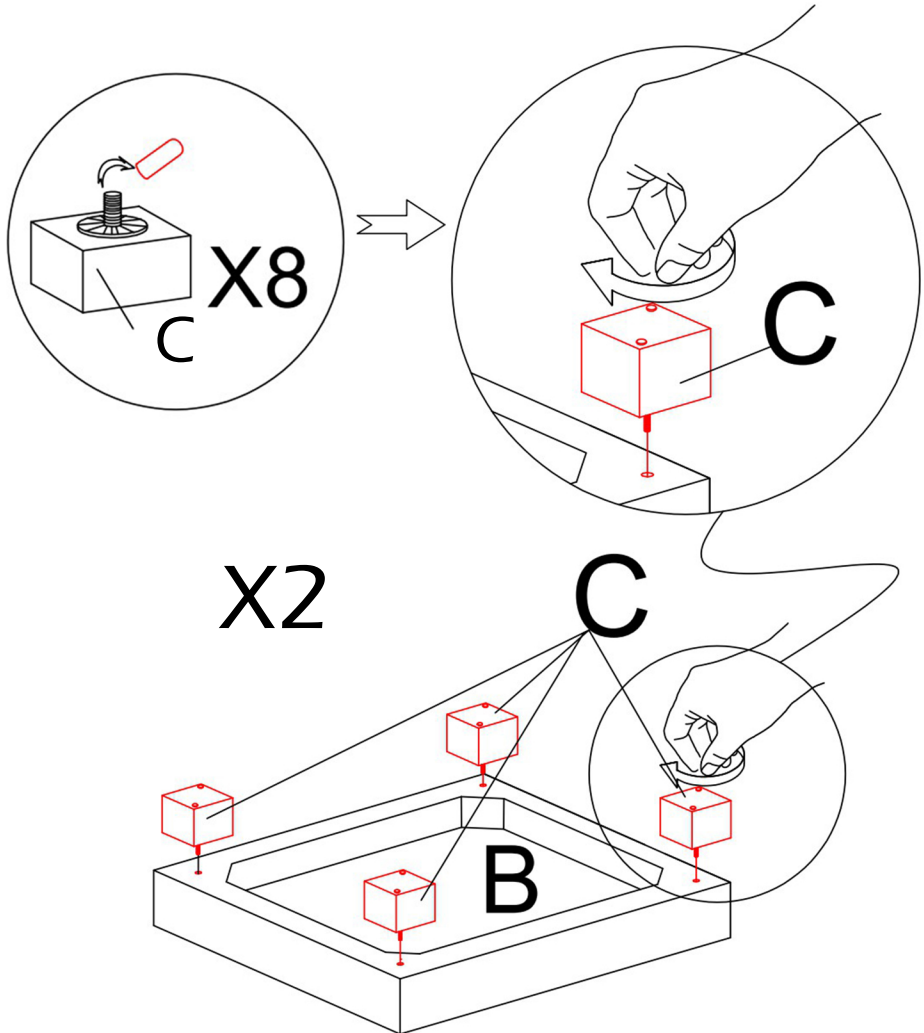
Please be careful, do not cut yourself or product.



X2

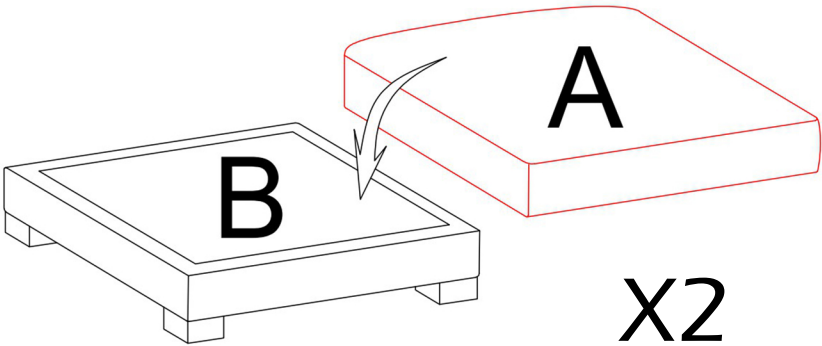
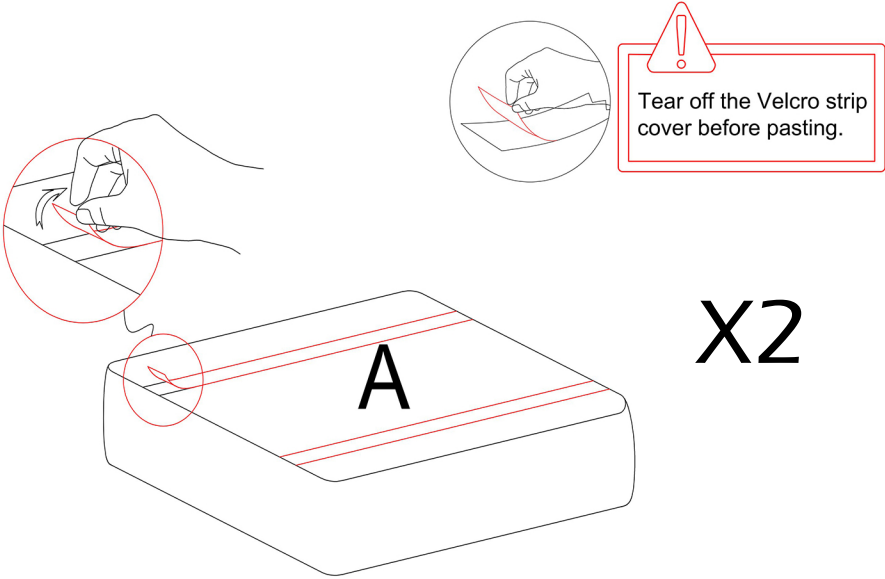
# step 2

Remove the plastic caps from the bolt parts of the wooden legs. Screw all four legs (C) into holes on each corner of ottoman frame (B), tighten them with hands.



# step 3

Place the seat cushion (A) onto the ottoman frame (B).



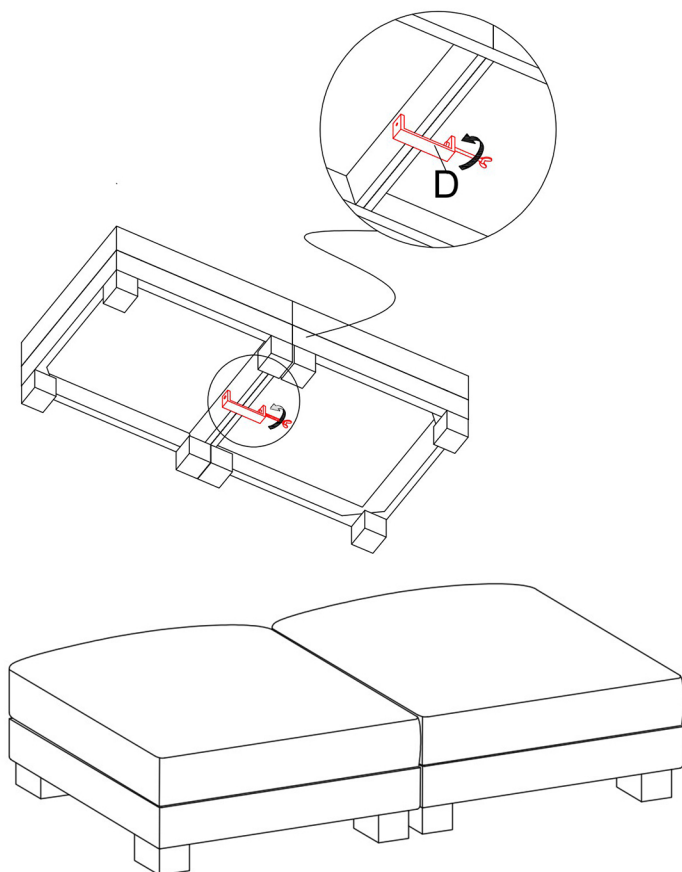
# step 4

There is a metal buckle inside the carton as a free part.  
If you only purchased single part of the sofa, this buckle will not be useful.

If you want to be combined with other sofa components (ottoman, chair, chaise etc), this buckle can be used.

Just use this buckle to fix two parts together from the bottom to prevent displacement while using the products.

Congrats! You have finished assembly!





ASSEMBLY INSTRUCTIONS

Tel.(562)-781-3327

Please contact us:info@firstopintl.com

<https://www.dreamsidea.com>