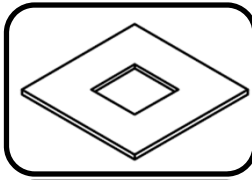


Before you begin, please read Page 3 of "Assembly and Care Advice".

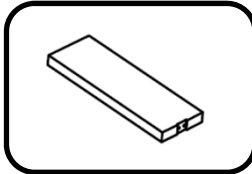
And remember, do not tighten until each step is completed or instructed.

MD

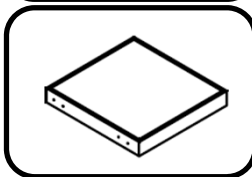
Parts List



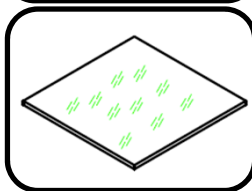
#1 x 1 pc
Table Top



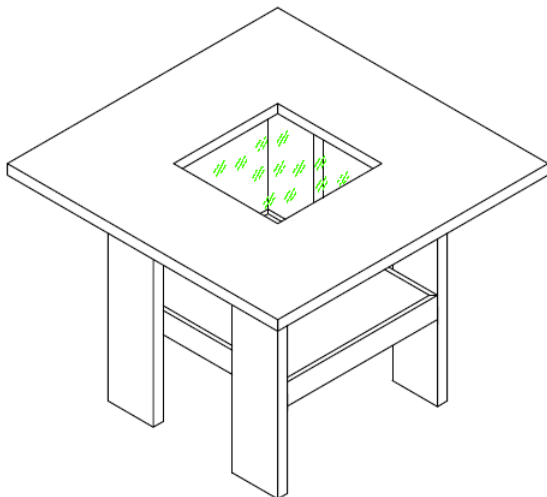
#2 x 4 pcs
Leg



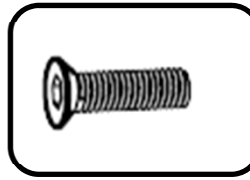
#3 x 1pc
Shelf



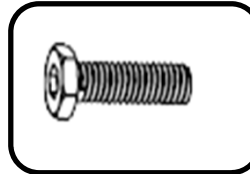
#4 x 1 pc
Glass Top



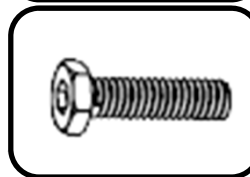
Hardware List



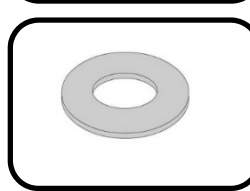
#A x 8 pcs
Bolt 5/16"x7/8"



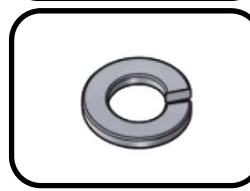
#B x 8 pcs
Bolt 5/16"x7/8"



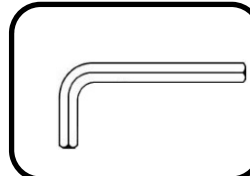
#C x 8 pcs
Bolt 5/16"x1-1/4"



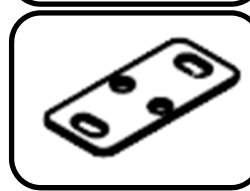
#D x 16 pcs
Flat Washer



#E x 16 pcs
Lock Washer



#F x 1 pc
Allen Wrench



#G x 4 pcs
Bracket



Due to the size and/or weight of this product, it is highly recommended that the assembly should be done near the area of its intended location. Make sure you have enough space to move around during the assembly.

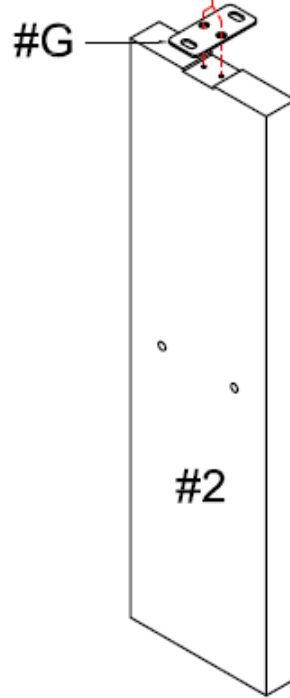
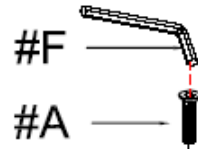
ALWAYS have at least two people to help with transporting and assembling the product to avoid any potential injury and/or damage.



#1

#A x 8 pcs
#G x 4 pcs

Turn right (clockwise) to tighten



X4

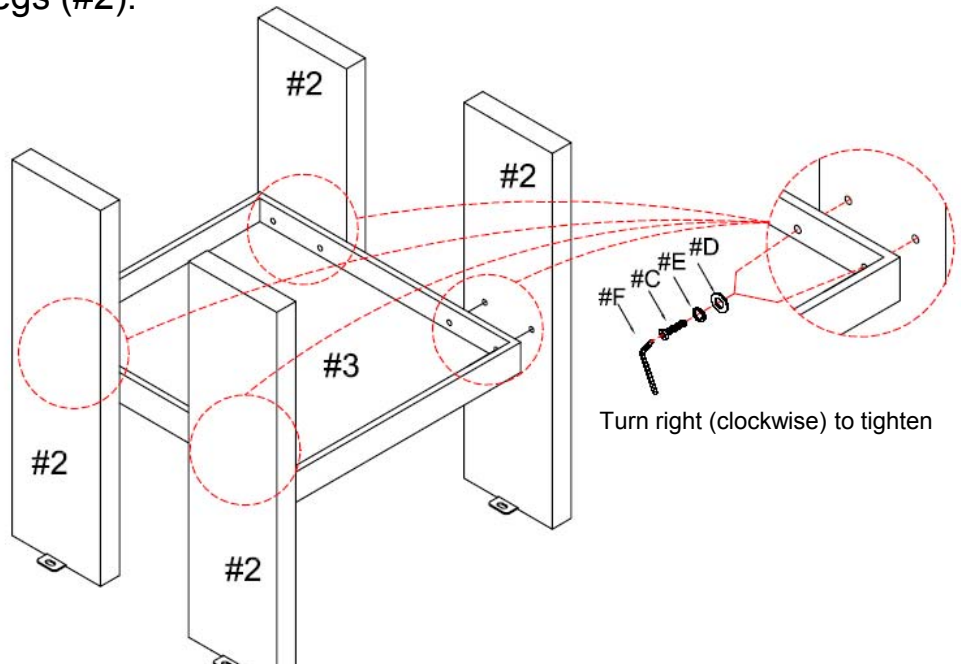
- I. Align the bracket (#G) with the pre-drilled holes of the leg (#2).
- II. Secure the brackets (#G) using the Allen wrench (#F) to tighten the 4 bolts (#A) to lock them with the leg (#2).
- III. Repeat the process above for the remaining 3 legs.



#2

- I. Align the shelf (#3) with the pre-drilled holes of the 4 legs (#2).
- II. Prepare 8 bolt assemblies by inserting FIRST the lock washer (#E) onto the bolt (#C) and then the flat washer (#D) onto the SAME bolt (#C), in that order.
- III. Insert the bolt assemblies through the holes of the shelf (#3) and secure those bolts using the Allen wrench (#F) to lock them with the 4 legs (#2).

#C x 8 pcs
#D x 8 pcs
#E x 8 pcs

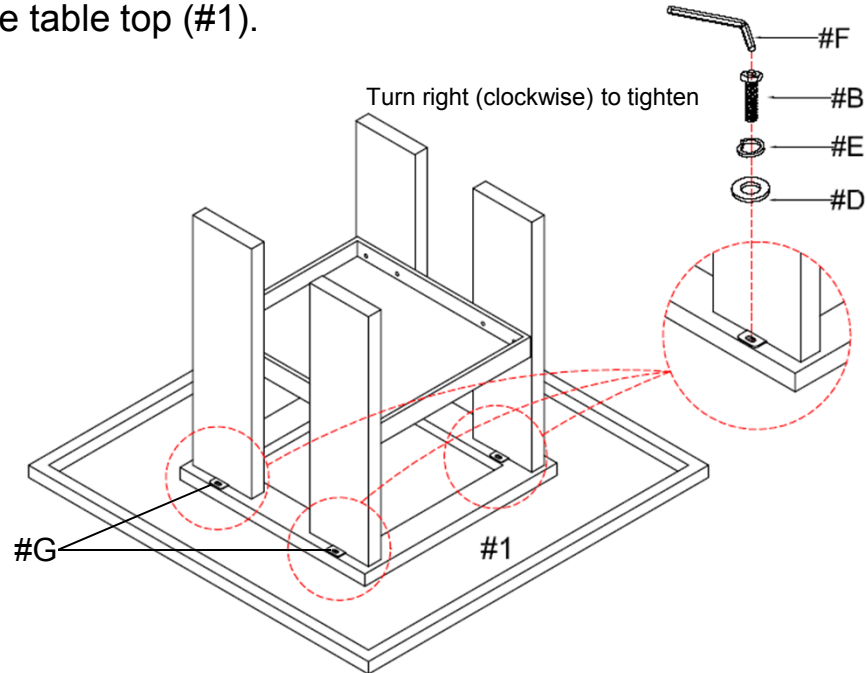


Turn right (clockwise) to tighten

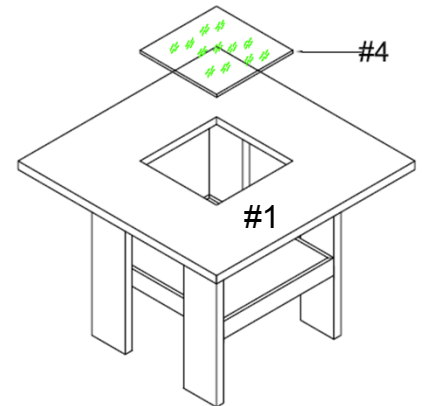


- I. With the help of another person, carefully place the table top (#1) facing down on a protective surface. Align the assembled legs/shelf with the pre-drilled holes on the table top (#1).
- II. Prepare 8 bolt assemblies by inserting FIRST the lock washer (#E) onto the bolt (#B) and then the flat washer (#D) onto the SAME bolt (#B), in that order.
- III. Insert the bolt assemblies through the holes of the brackets (#G) and secure those bolts using the Allen wrench (#F) to lock them with the table top (#1).

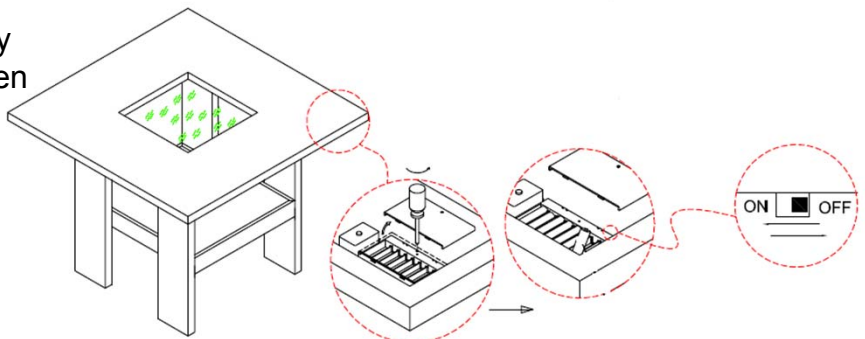
#B x 8 pcs
#D x 8 pcs
#E x 8 pcs



Place the glass top (#4) onto the table top (#1). Make sure the table is rested on a flat surface and does not feel loose or wobbly. If it does, double check that the bolts/screws are secured and properly tightened.



To install the batteries (not included), remove the screw that holds the battery cover by using a Phillips screwdriver. Install new AA-size 1.5-volt alkaline batteries with correct polarity (+,-) by following the illustration inside the battery cover. Close the battery cover and tighten back the screw.



Caution:

- Use batteries of the same type.
- Do not mix old and new batteries.
- Do not mix alkaline, standard (carbon-zinc), or rechargeable (nickel-cadmium) batteries.
- Do not use rechargeable batteries.
- Do not try to recharge non-rechargeable batteries.
- Remove exhausted or corroded batteries.