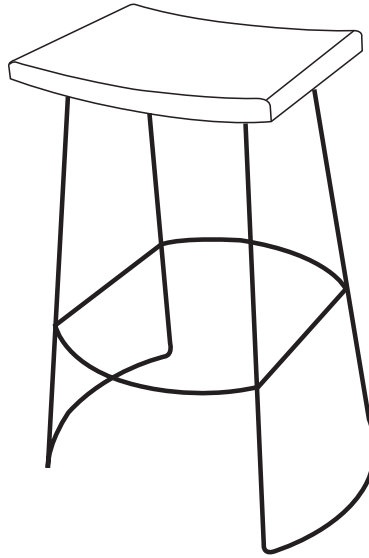
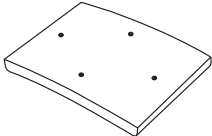
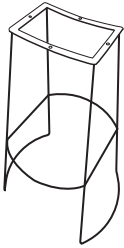





Assembly Instructions

SADDLE SEAT COUNTER STOOL

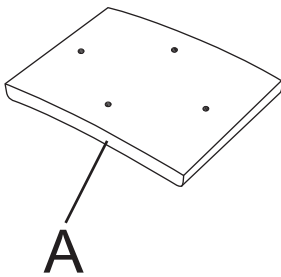


NO.	PARTS	DESCRIPTION	Q'TY	NO.	PARTS	DESCRIPTION	Q'TY
A		Seat	1PC	B		Base	1PC
C		Allen Head Bolt 1/4" 6/8"	4PCS				
D		Flat Washer Ø12*T1.0	4PCS	E		Allen Head Wrench 4MM	1PCS

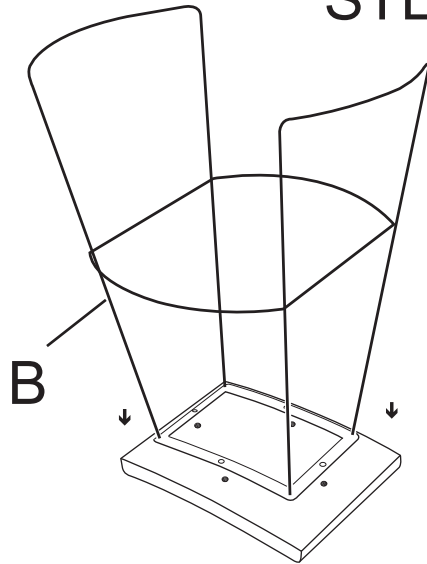
Assembly Instructions

SADDLE SEAT COUNTER STOOL

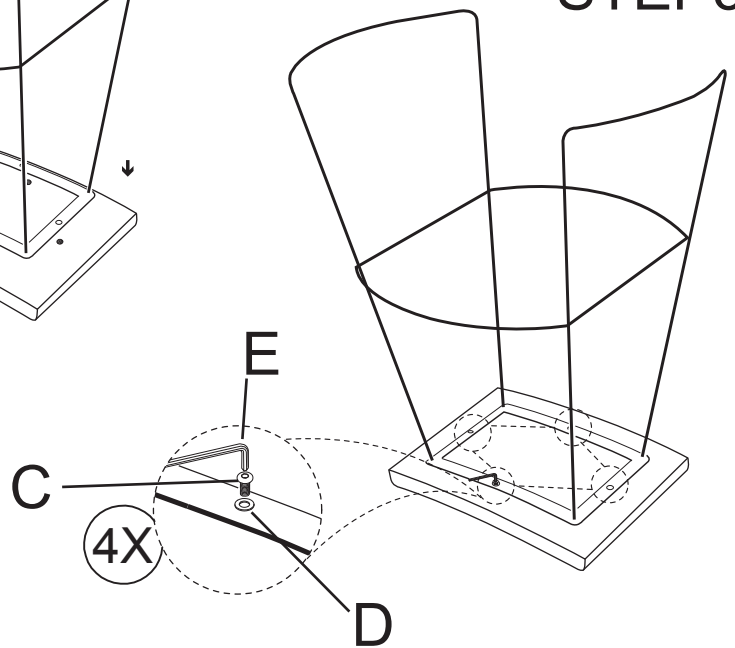
STEP1



STEP2



STEP3



STEP4

