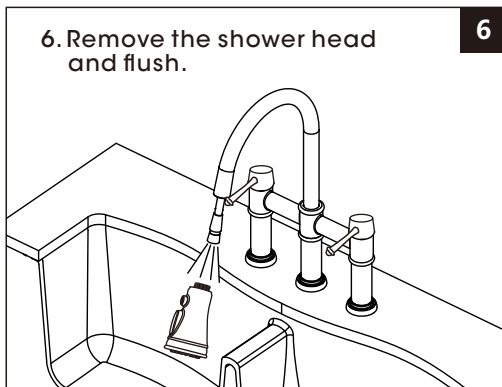
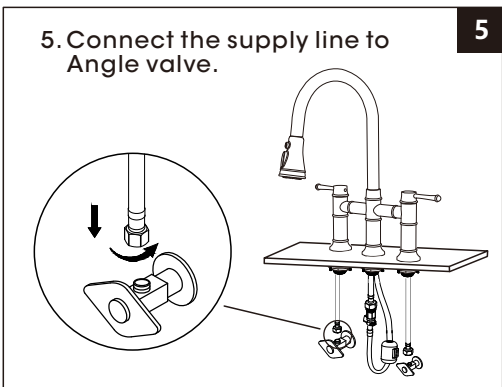
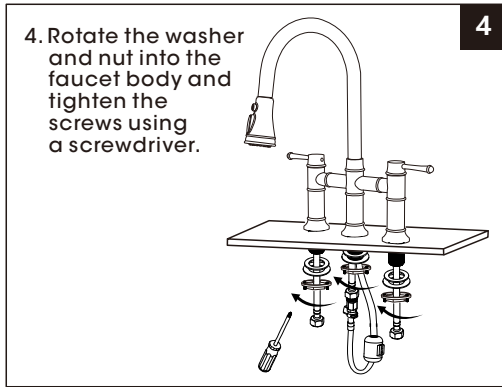
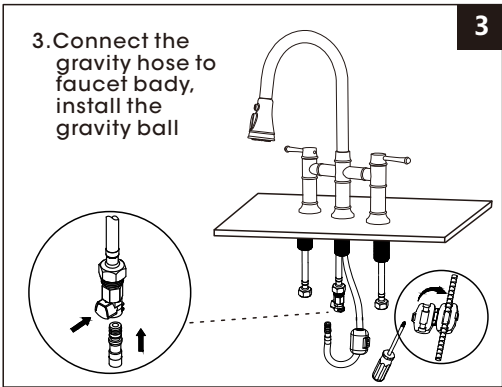
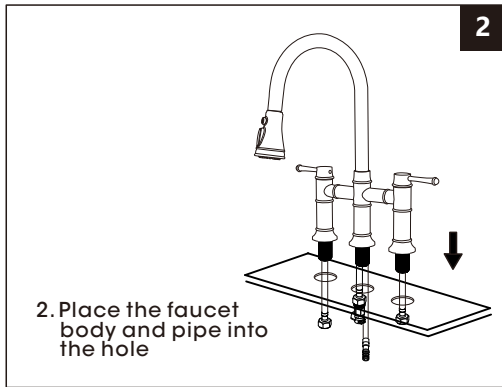
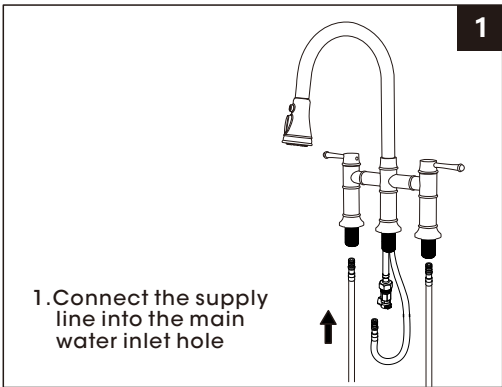
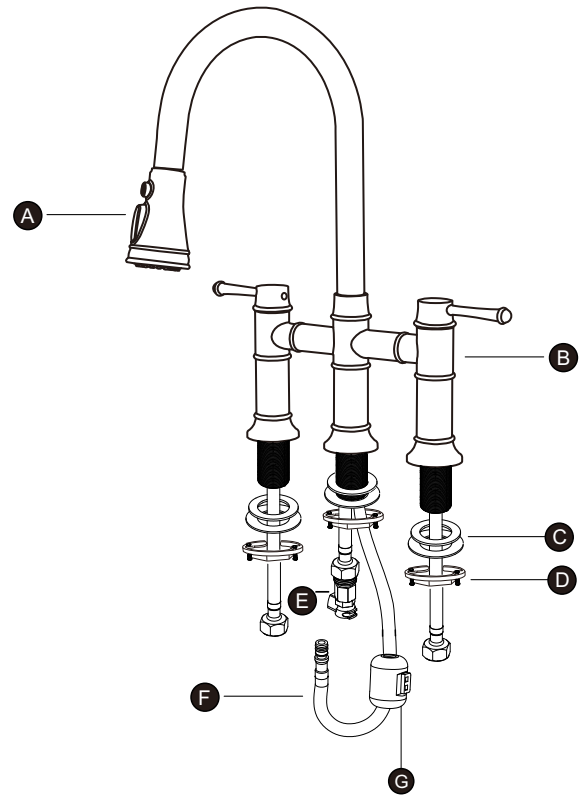


INSTALLATION STEPS



PARTS LIST



No.	Description
A	Side Sprayer
B	Faucet Body
C	Rubber & Metal Washer
D	Mounting Nut & Scerws
E	Quick Connector
F	Sprayer Hose
G	Gravity Ball

Bridge Kitchen faucet installation instruction



MB/BN/BG/CH/ORB

CARE INSTRUCTIONS

Rinse the product with clear water. Dry the product with a soft cloth.

DO NOT:

Use abrasive cleansers, cloths, or paper towels. Use any cleaning agents containing acid, polish, wax, alcohol, ammonia, bleach, solvent or any other corrosive or harsh chemical cleansers.

RECOMMENDED TOOLS

