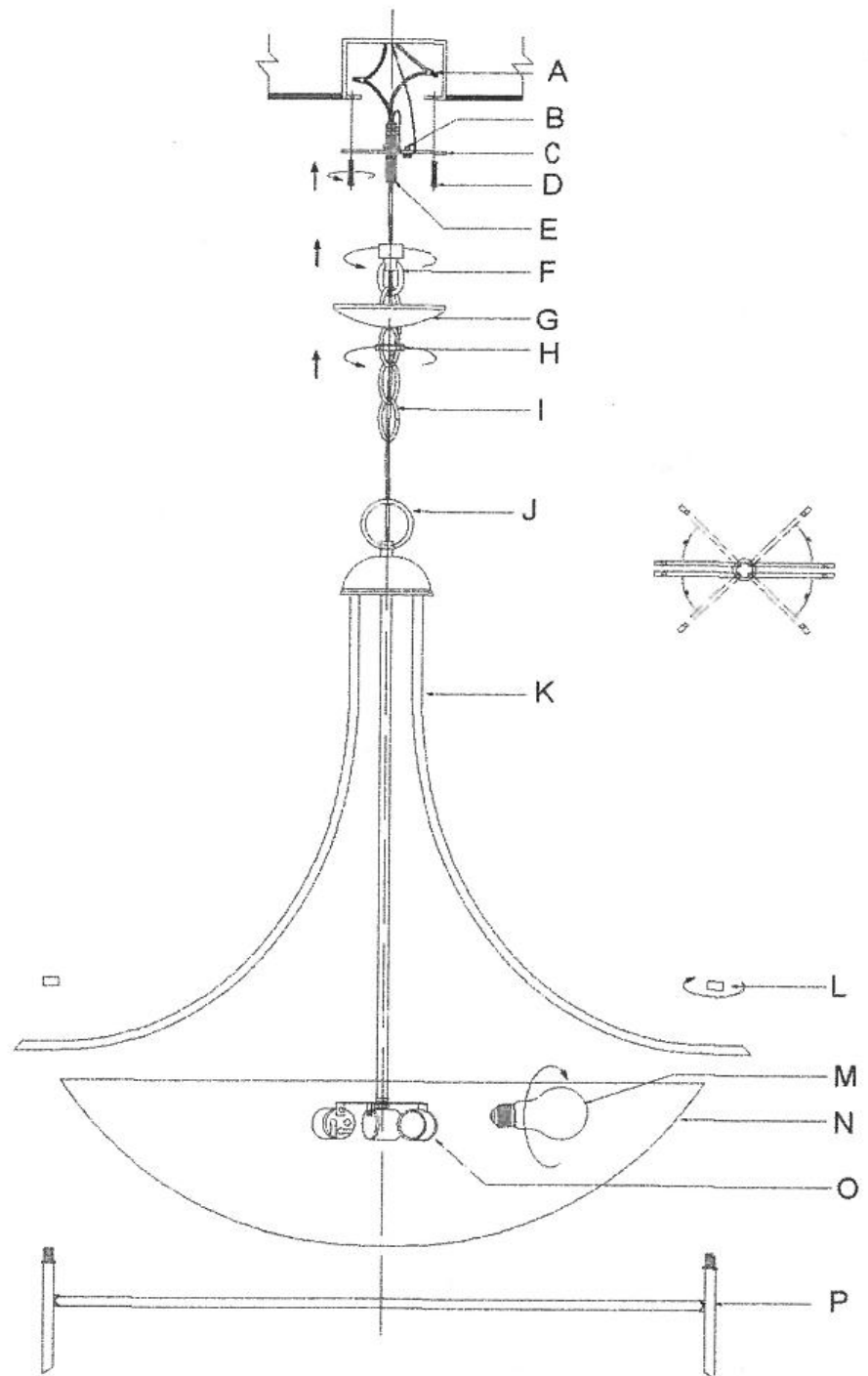


ASSEMBLY INSTRUCTIONS

- A. Wire nuts
- B. Green ground screw
- C. Mounting strip
- D. Outlet box screws
- E. Nipple
- F. Screw collar loop
- G. Canopy
- H. Ring
- I. Chain
- J. Loop
- K. Fixture
- L. Nut
- M. Bulb (not included)
- N. Glass shade
- O. Socket
- P. Frame



NOTE : Only the technical personnel can be allow to fix and maintain.

IMPORTANT!

Make sure that the power is switch off at the electricity mains supply before commencing work.

FIXING INSTRUCTIONS

1. Attach mounting strip (C) to junction box using outlet box screws (F).
2. Adjust chain (I) to desired length. Spread end link of chain (I).
3. Attach one end of chain (I) to fixture loop (J) and the other end to screw collar loop (F).
4. Attach wire nuts (A). Tape nuts and wires together.
5. Attach screw collar loop (F) to nipple (E), tighten nut.
6. Open out the four metal arms in a right position. Install light bulbs (M) to the socket (O). Use only 3-100 Watt or less bulb..
7. Put glass shade (N) onto frame (P).
8. Attach frame (P) onto fixture (K) by aligning nuts (L).

REPLACEMENT BULB

Do not exceed the maximum wattage.

Light bulbs recommended:

3X100W Max. 120V E27

CLEANING CARE

Clean with a soft dry cloth.

SAFETY INFORMATION

Do not touch the bulb with bare hands. Always switch off the electricity supply and allow to cool for 10 minutes before changing the light bulbs.