

INSTALLATION INSTRUCTION

**WARNING! SHUT POWER OFF AT FUSE OR CIRCUIT BREAKER .
AVERTISSEMENT! COUPER LE COURANT AU NIVEAU DES FUSIBLES OU DU DISJONCTEUR.**

ASSEMBLING THE FIXTURE (Fig. 1)

1. Carefully remove the fixture from the carton and check that all parts are included as shown in the illustration.
2. Thread the loop (J) onto the nipple (K). Tighten the loop (J).
3. Spread the arms (S) so that the arms (S) are at equal distance from each other.
4. Thread the nut (M) onto the nipple (N), then thread the nipple (N) into the coupling (L), and tighten with the nut (M).
5. Slide the tube (O), cap (P) and washer (Q) over the nipple (N) and secure with the nut (R). Note: To avoid scratching the tube (O), spread the arms (S) outward to a suitable position.
6. Place the glass (U) over the socket (V), and secure in place with retaining ring (T).

HANGING THE FIXTURE (Fig. 2)

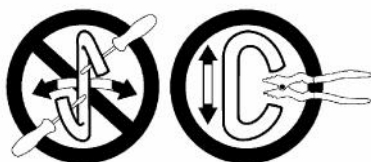
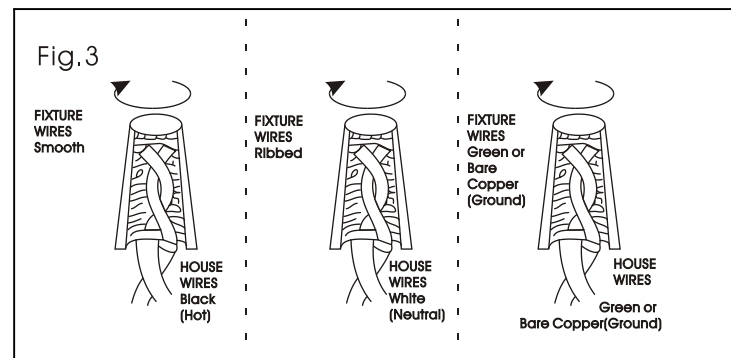
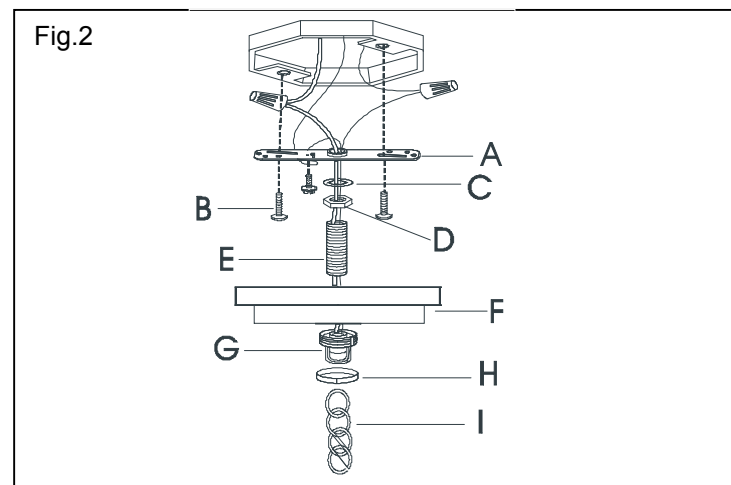
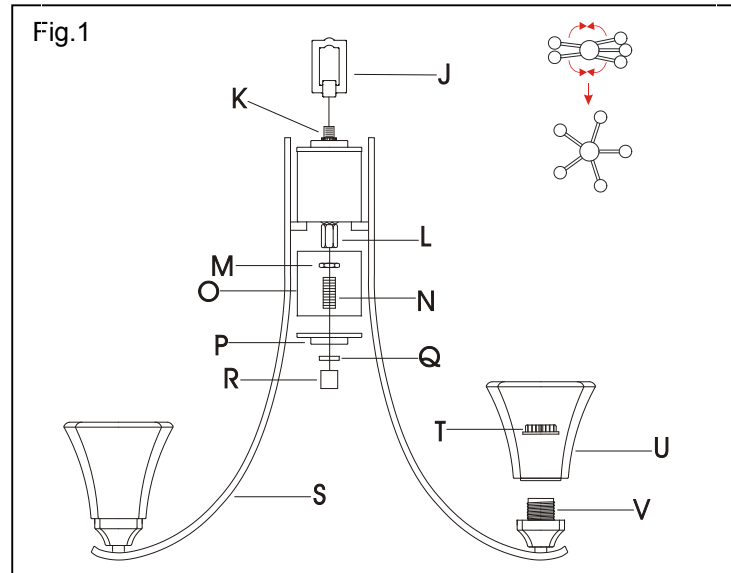
7. Shut off the power at the circuit breaker and remove old fixture from ceiling, including the mounting bar.
8. Thread the nipple (E) into screw collar (G) until snug.
9. Thread hex nut (D) onto nipple (E), place lock washer (C) over end of nipple (E), thread nipple (E) through mounting bar (A), and continue until tight.
10. Take this mounting bar (A) assembly and mount to ceiling junction box with junction box screws (B). Tighten screws securely with screwdriver.
11. Using a pair of pliers to open the end of chain (I), and connect it to the loop (J), and close it. (Fig.2)
12. By measuring, determine correct number of links needed for proper hanging height. Using the pliers, disconnect and discard remaining chain.
13. Lace the fixture wires through the chain links. Slip screw collar ring (H) over the chain, then do the same with the canopy (F).
14. Open the other end link of the chain (I) (provided) and connect it to screw collar (G). Close the link.
15. Feed the fixture wires through the screw collar (G) and nipple (E) and pull until taut.

CONNECTING THE WIRES (Fig. 3)

16. At this point, connect the electrical wires as shown in (Fig. 3) making sure all wire nuts are secured. You may have to wrap the connections with electrical tape. If your outlet has a ground wire (green or bare copper) connect fixture's ground wire to it. Otherwise connect fixture's ground wire directly to the mounting bar (A) using the green screw provided.
17. Tuck these wire connections neatly into the ceiling junction box and then raise the canopy (F) all the way to the ceiling. Raise the screw collar ring (H) and thread onto screw collar (G) protruding through canopy (Fig.2).
18. Install the light bulbs in accordance with the fixture's specification.

(DO NOT EXCEED THE SPECIFIED WATTAGE!) (NE PAS DEPASSER LA PUISSANCE NOMINALE MAXIMALE!)

Your installation is now complete. Return power to the junction box and test the fixture.



Notice: It is important to use proper chain pliers (not included) To OPEN and CLOSE the chain included with this fixture. Do not open them with other tools that may twist or stress the chain links. It is important to use proper chain pliers like the ones shown in the diagram.

