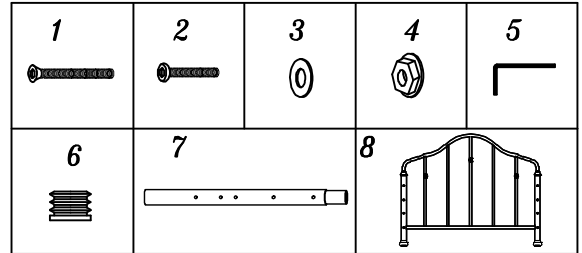


## Parts List For Twin HD/FT/Duo

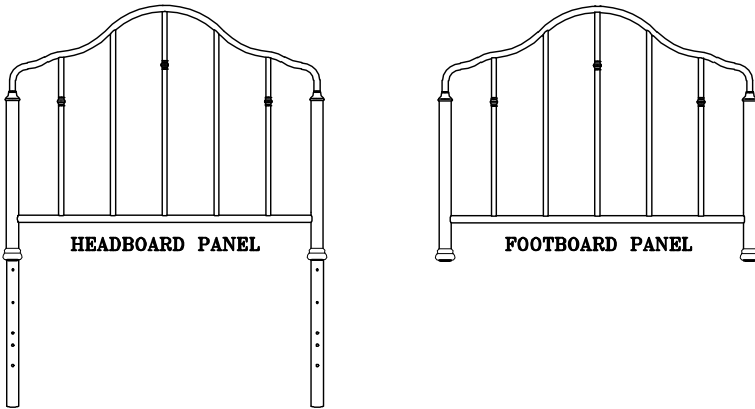
### HD/FT/DUO CARTON

**PART CHROME FINISH HARDWARE BAG  
FOR HD/FT/DUO FRAME ATTACHMENT**

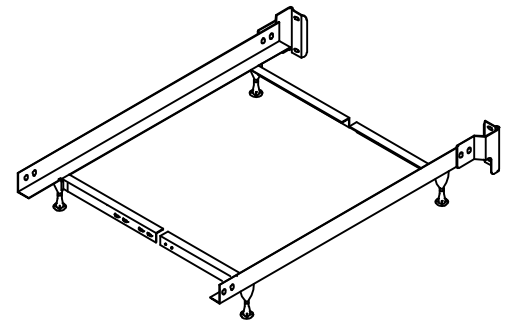
- (1) 1/4-20 X 2 1/4" COUNTERSUNK ALLEN HEAD SCREW-4
- (2) 1/4-20 X 1" FLAT ALLEN HEAD SCREW-4
- (3) 1/4" ID FLAT METAL WASHER-4
- (4) 1/4-20 HEX NUT-4
- (5) ALLEN WRENCH
- (6) PLASTIC GLIDE-2
- (7) LEG EXTENSION-2
- (8) HD/FT/DUO PANEL-1



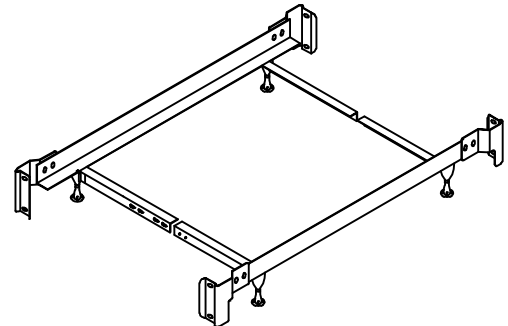
### PRODUCT FULLY ASSEMBLED



### FRAME FULLY ASSEMBLED



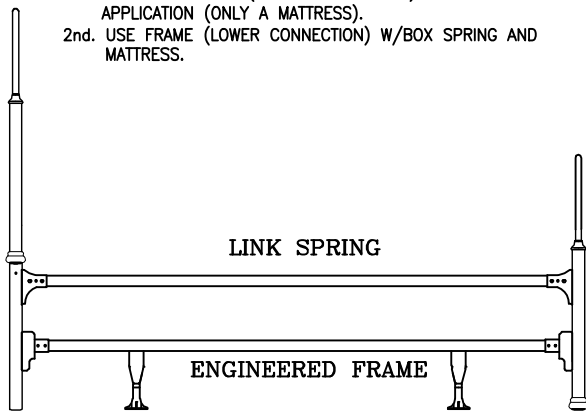
**TWIN - FULL HEADBOARD ONLY FRAME FULLY ASSEMBLED**  
NOTE: SEE INSTRUCTIONS INCLUDED IN FRAME CARTON FOR FRAME ASSEMBLY



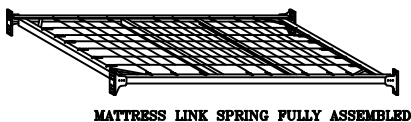
**TWIN - FULL FRAME FULLY ASSEMBLED**  
NOTE: SEE INSTRUCTIONS INCLUDED IN FRAME CARTON FOR FRAME ASSEMBLY

### Twin Size Options WHEN YOU BUY TWO TWIN PANELS

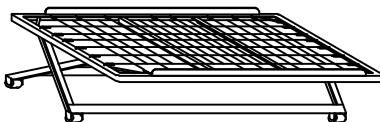
- 1st. USE LINK SPRING (UPPER CONNECTION) FOR TRUNDLE APPLICATION (ONLY A MATTRESS).
- 2nd. USE FRAME (LOWER CONNECTION) W/BOX SPRING AND MATTRESS.



#### OPTIONAL



#### OPTIONAL



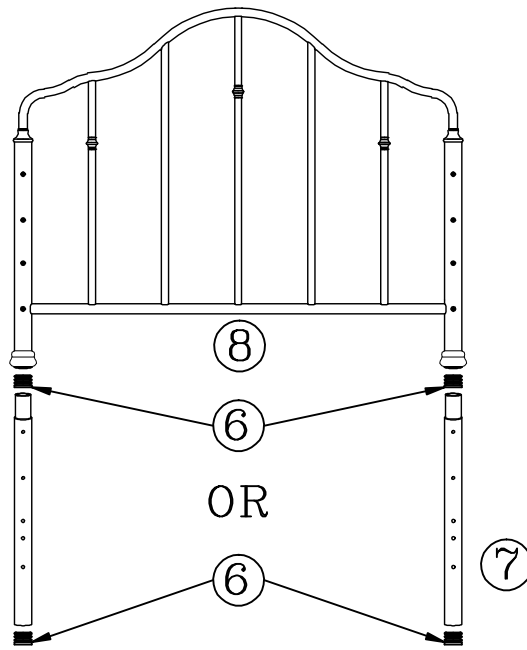
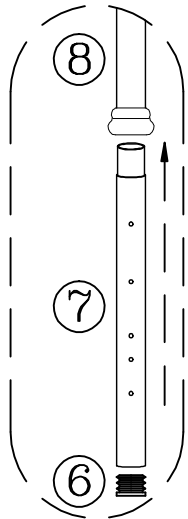
FOR ASSISTANCE IN ASSEMBLY ONLY OF THIS PRODUCT. CALL OUR HELP DESK . PLEASE HAVE THE STYLE NUMBER AVAILABLE BEFORE YOU CALL. (STYLE # OR NAME CAN BE FOUND ON PACKING CARTON OR SALES RECEIPT.) OUR PRODUCT IS INSPECTED TO ENSURE IT IS IN GOOD CONDITION. IF YOUR FURNITURE APPEARS TO HAVE BEEN DAMAGED IN SHIPMENT OR YOU ARE IN NEED OF REPLACEMENT PARTS PLEASE CONTACT THE DEALER FROM WHOM YOU PURCHASED THE PRODUCT.

# Instructions

SAVE ALL PACKAGING MATERIALS UNTIL PRODUCT IS FULLY ASSEMBLED. HARDWARE AND SMALL PIECES MAY NOT BE SEEN AND BE ACCIDENTALLY DISCARDED WITH PACKAGING MATERIALS.

FIGURE 1

HEADBOARD ASSEMBLY



FOOTBOARD ASSEMBLY

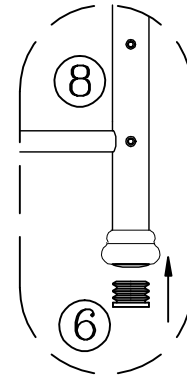
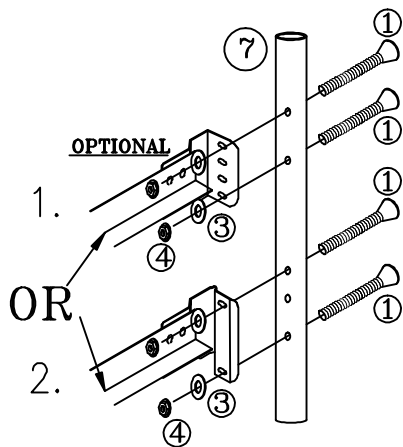


FIGURE 2



NOTE: This product can be used as Headboard only or as Headboard/Footboard bed. Insert plastic glide (6) into leg extension (7) for headboard assembly. For footboard assembly insert plastic glide (6) into bottom of panel (8) posts. SEE FIGURE 1

Note 2: YOU HAVE TWO ASSEMBLY OPTIONS WHEN YOU BUY TWO TWIN PANELS:  
1st. USE UPPER ASSEMBLY IF USING AS A TRUNDLE UNIT WITH MATTRESS ONLY.  
2nd. USE LOWER FRAME ASSEMBLY IF USING BOX SPRING & MATTRESS.

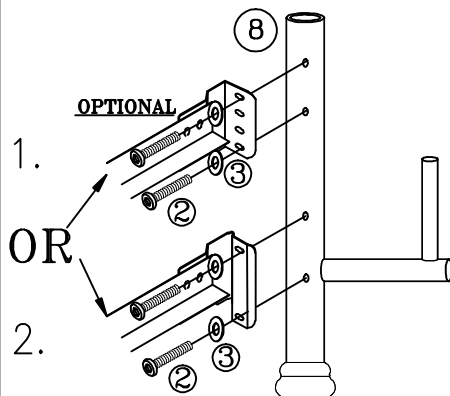
## Step 1 Headboard Assembly

- Insert plastic glide (6) into bottom of leg extension (7). SEE FIGURE 1
- Align top reduction of leg extension (7) with bottom of headboard post. SEE FIGURE 1 Make sure the 3 holes on leg extension are perpendicular to headboard panel.
- Now carefully insert leg extension (7) into bottom of headboard panel (8) post.

## Step 2 Frame Assembly

- Place headboard and frame in desired location in room.
- Place 2 screws (1) through holes located in leg extension (7). SEE FIGURE 2
- Align bed frame bracket over screws.
- Place flat washer (3) first and then a hex nut (4) on each screw. Hand tighten, DO NOT TIGHTEN screws all the way.
- Repeat on other side of headboard.
- Tighten all screws securely using the Allen wrench.

FIGURE 3



## Step 3 Footboard Assembly

- Discard leg extension (7) for footboard attachment to frame.
- Position footboard panel and align holes in the panel (8) post with holes in the frame bracket. (See Figure 3)
- Place metal washer (3) on each screw (2). Insert through bracket and into post. Hand-tighten,
- DO NOT TIGHTEN screws all the way. Repeat on other side of footboard panel.
- Tighten all screws securely using the Allen wrench.