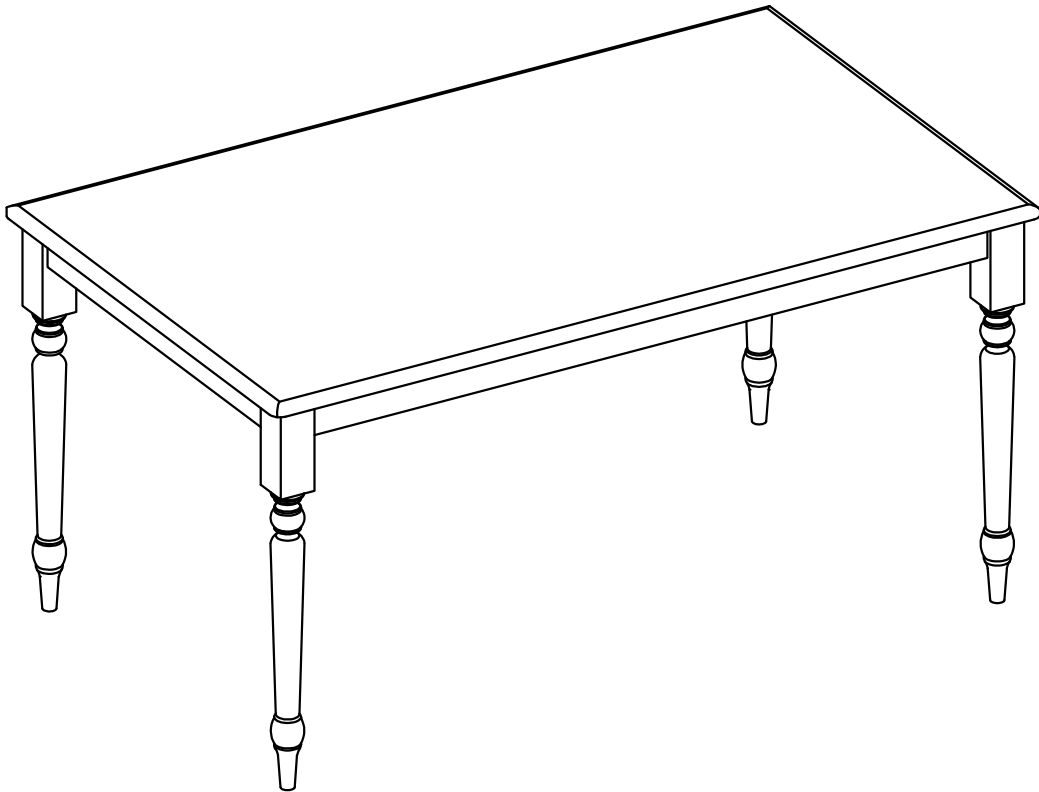
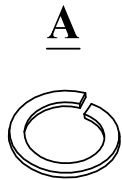


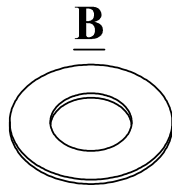
ASSEMBLY INSTRUCTIONS

TABLE

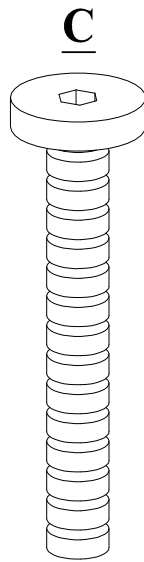




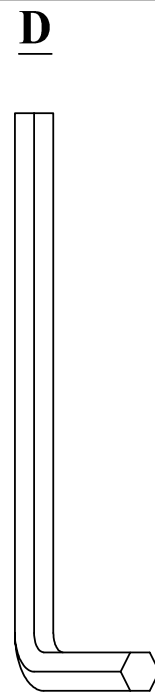
Spring Washer
8 PCS



Flat Washer
8 PCS

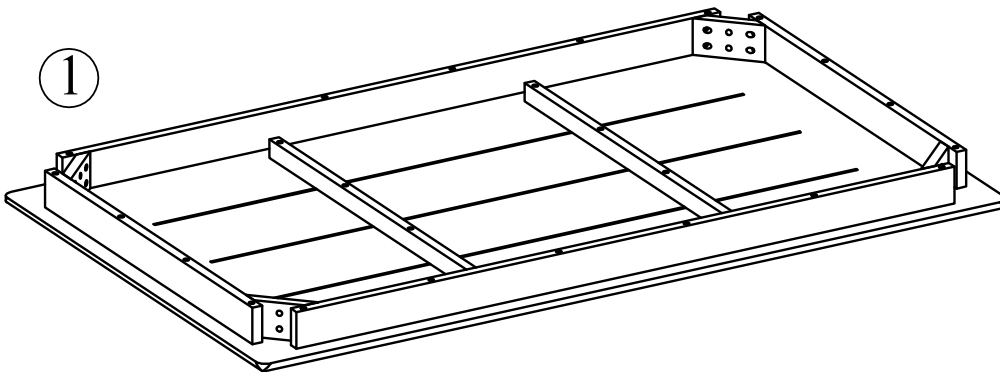


M8*70
8 PCS

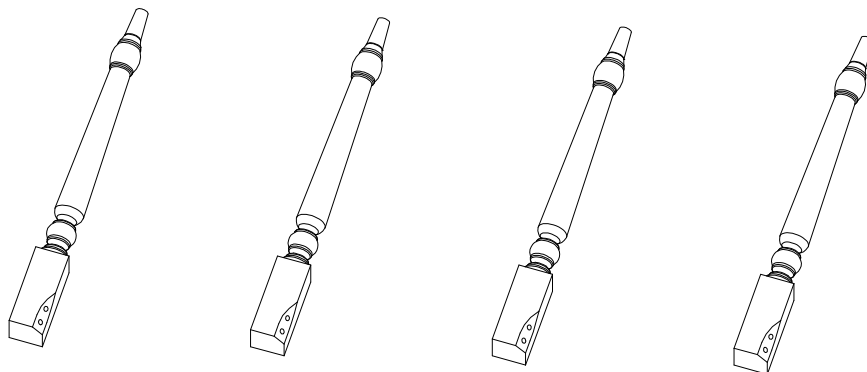


Allen Wrench
1 PC

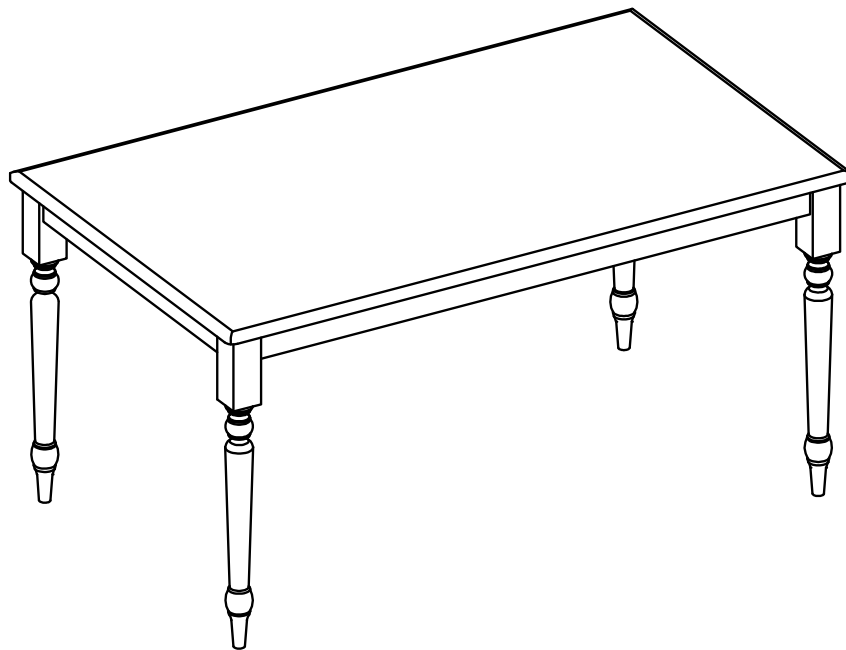
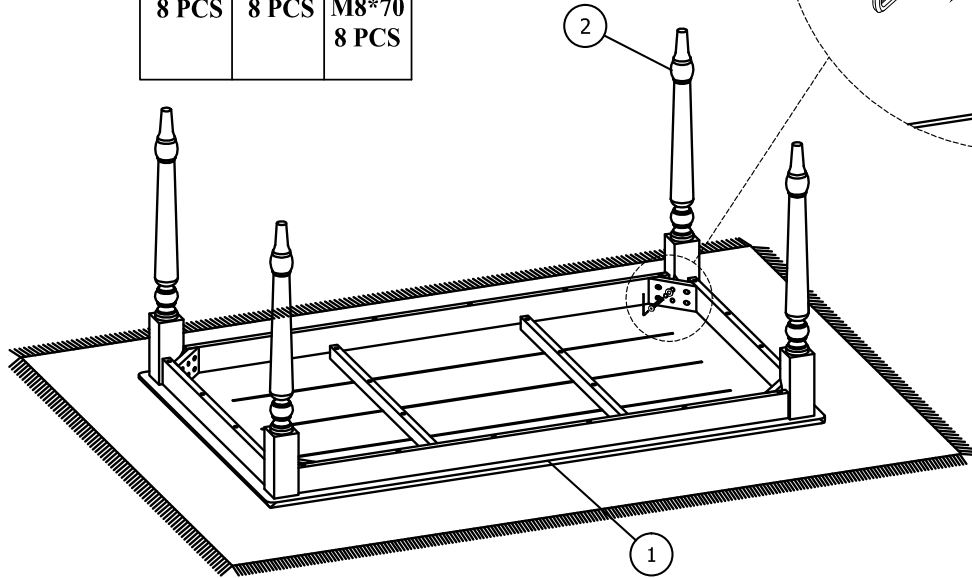
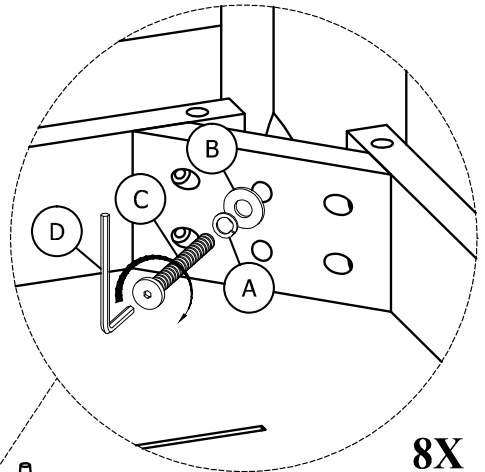
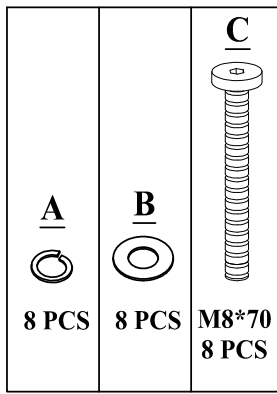
①



②



01



BE SURE TO CHECK ALL BOLTS ARE SECURELY TIGHTENED PRIOR USING THIS TABLE