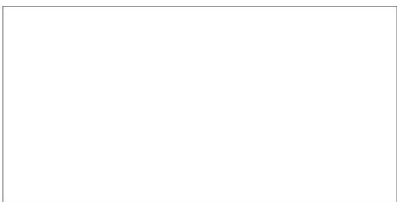
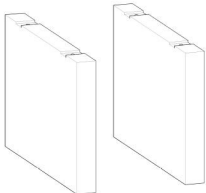
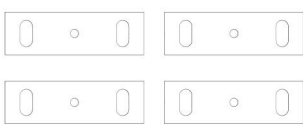



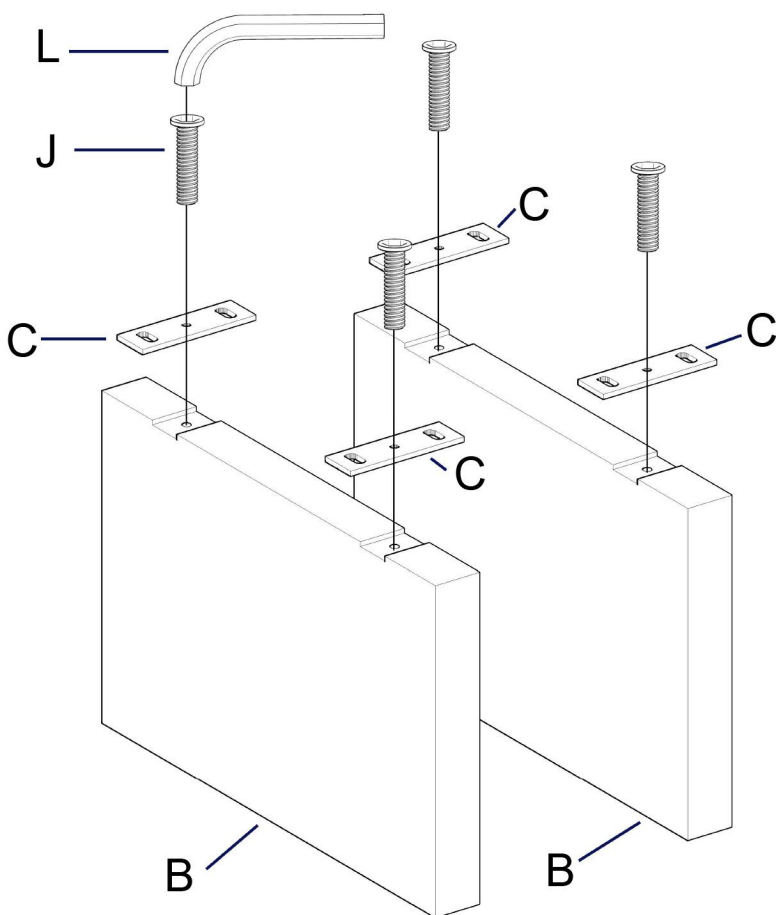


ASSEMBLY INSTRUCTIONS

AX1		BX2	
			
CX4			
			
JX12	KX8	LX1	Extra Hardware J-2pcs K-2pcs
			

- Note: 1. Please do not tight any bolt unless all bolts are fixed at their respective places.
 2. After fixing the bolts tighten them simultaneously.
 3. Matching parts bolt (example AtoA)
 4. Two person assembly required.



ASSEMBLY INSTRUCTIONS

