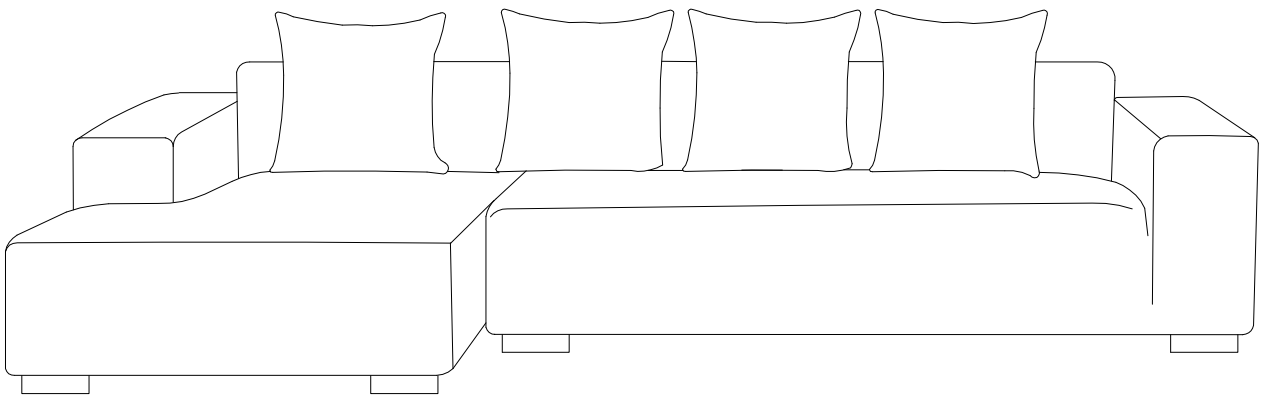


A

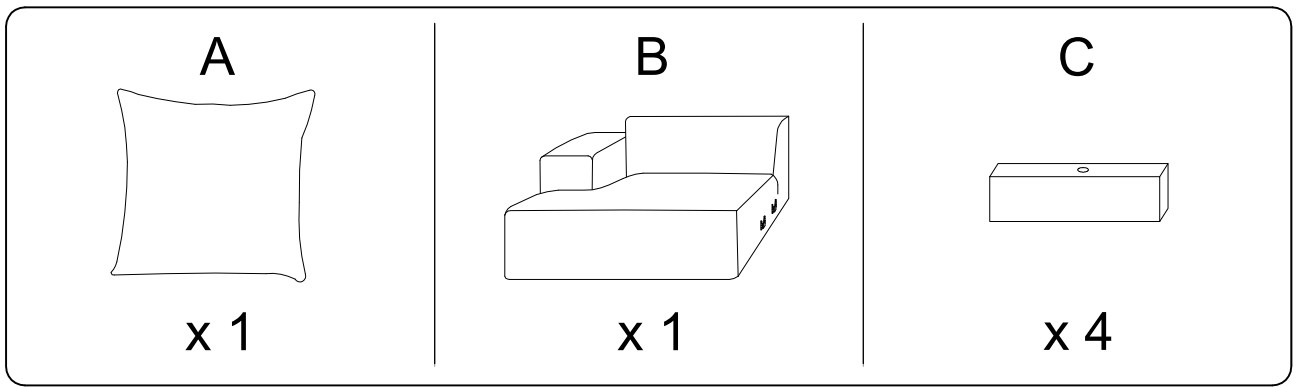
B



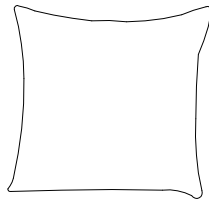
Assembly instructions for the sofa:

- Warning 1:** Do not use a power drill. Use the provided L-shaped corner bracket.
- Warning 2:** Do not use a screwdriver. Use the provided square block.
- Time:** 15 minutes.
- Personnel:** 2 people.

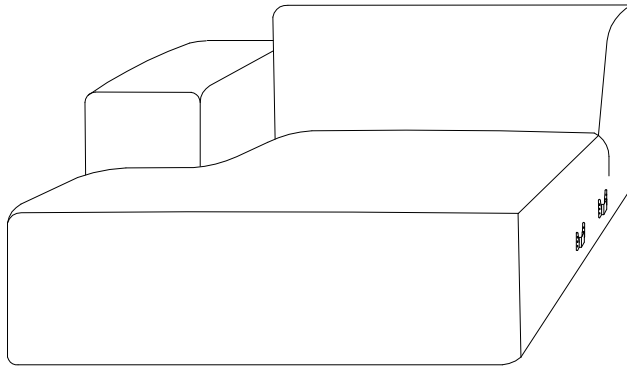
# A



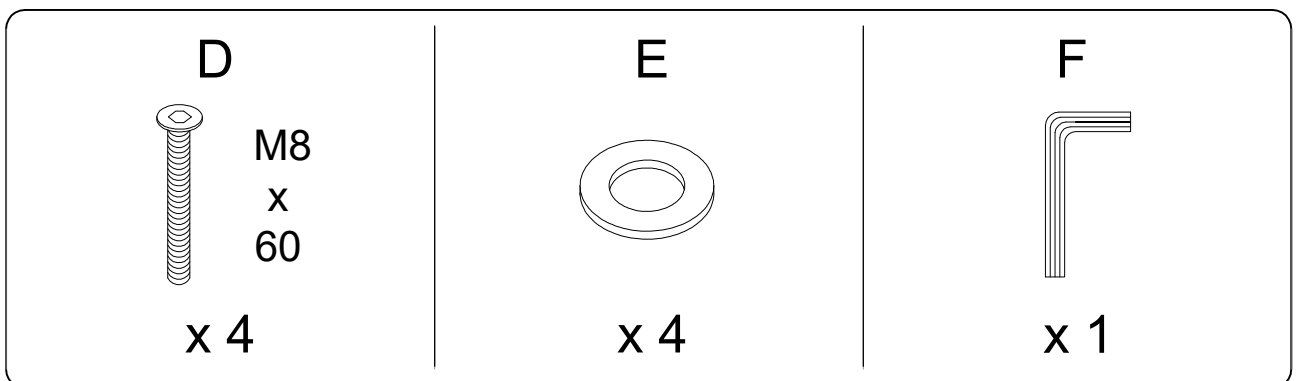
**A**



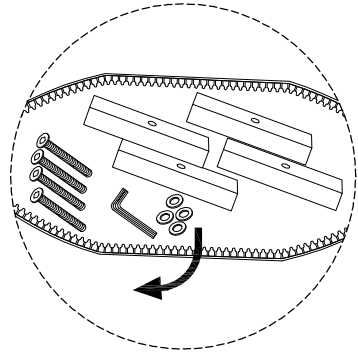
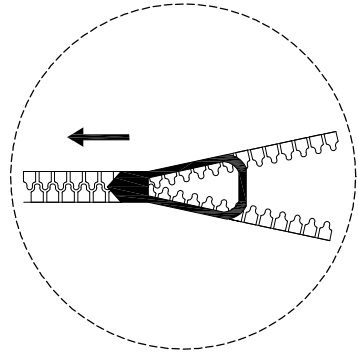
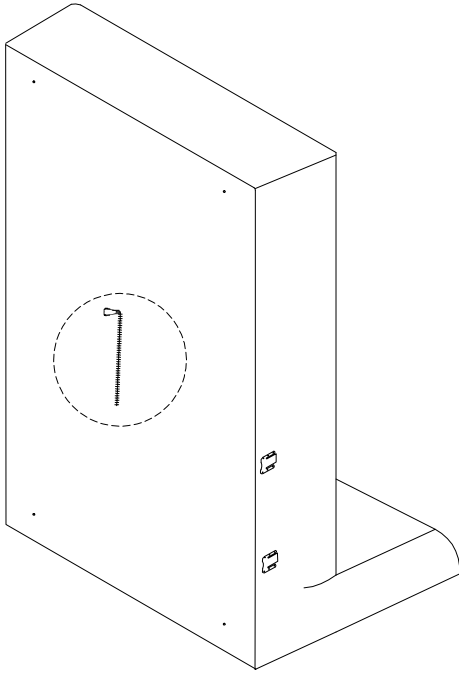
**B**



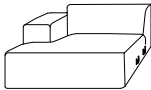
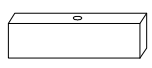
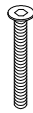
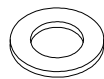
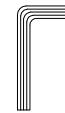
**C x 4**

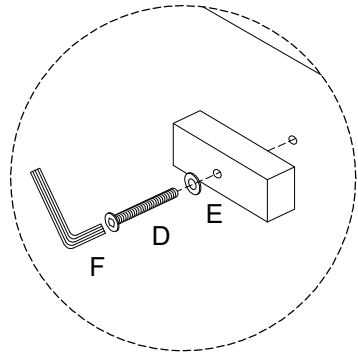
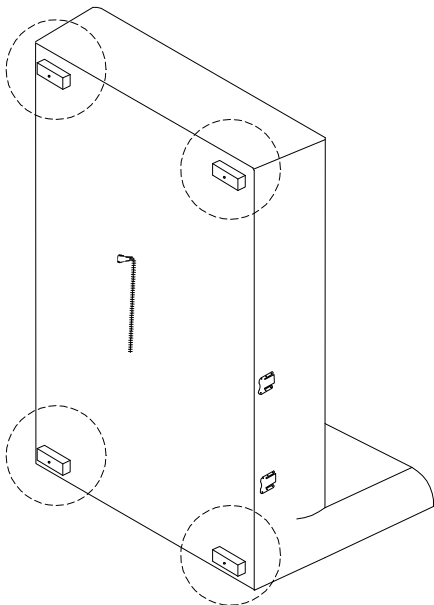


!

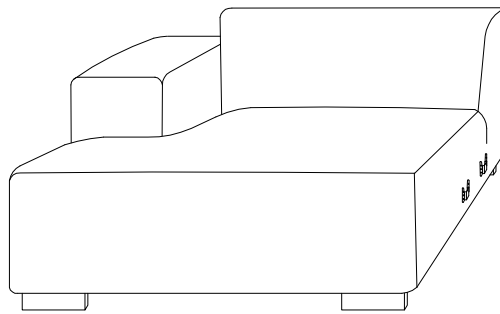
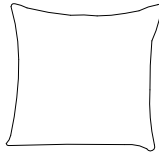
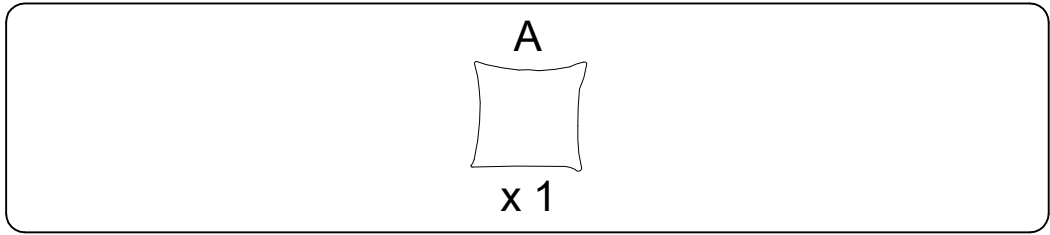


1

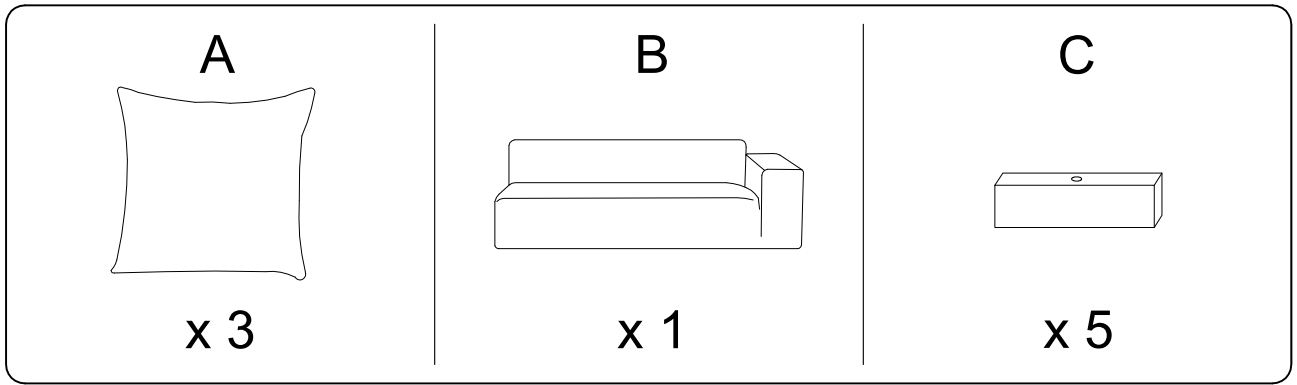
<b>B</b>  x 1	<b>C</b>  x 1	<b>D</b>  M8 x 60 x 4	<b>E</b>  x 4	<b>F</b>  x 1
--	--	---	--	--



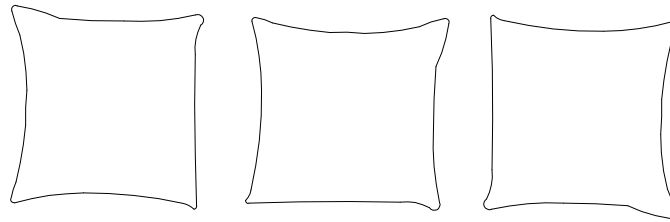
2



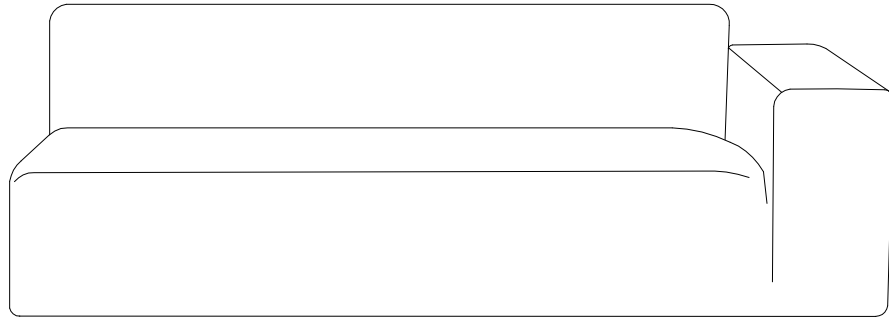
# B



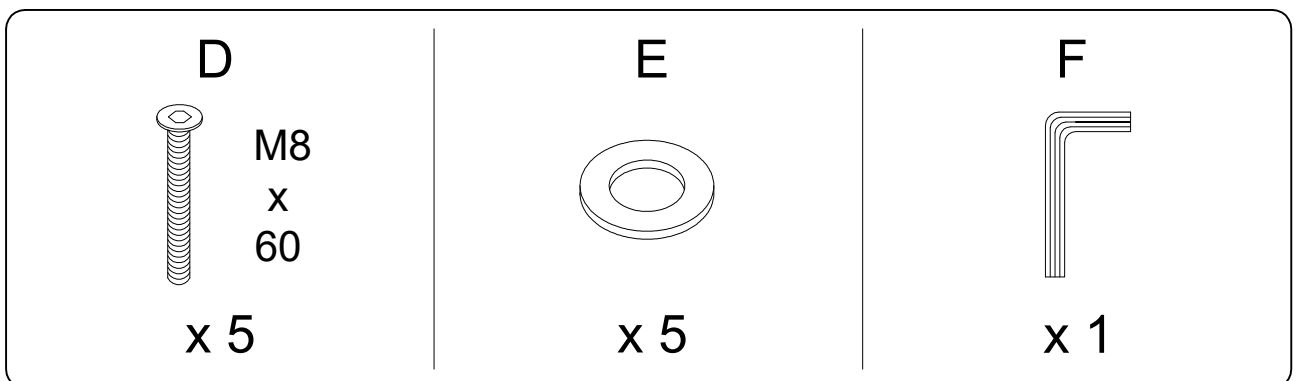
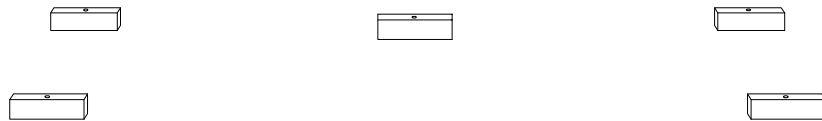
A x 3



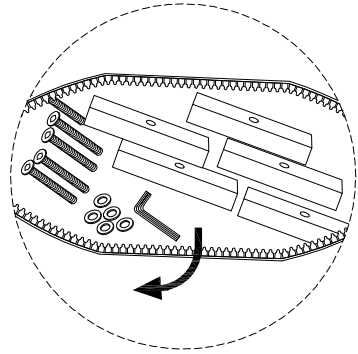
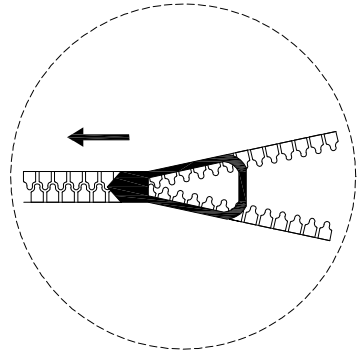
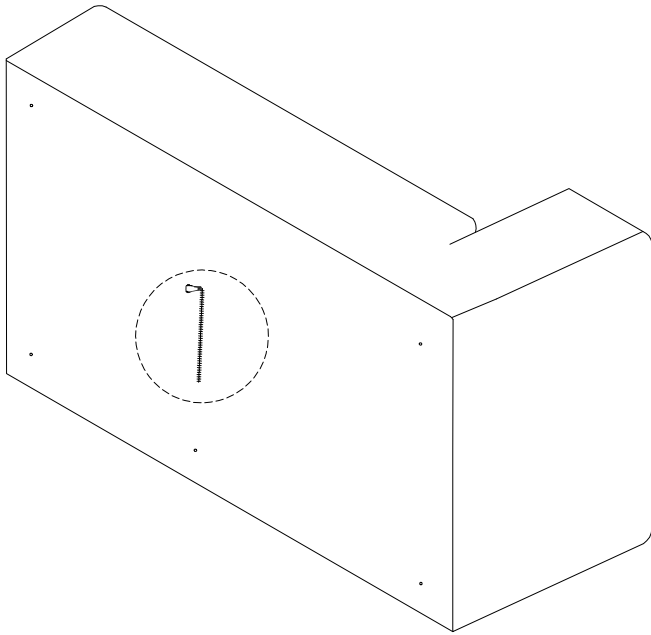
B



C x 5

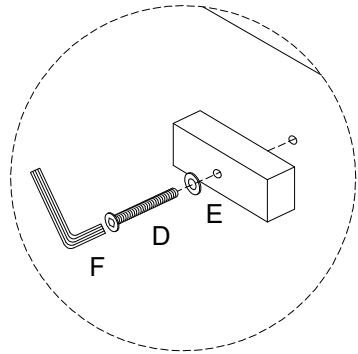
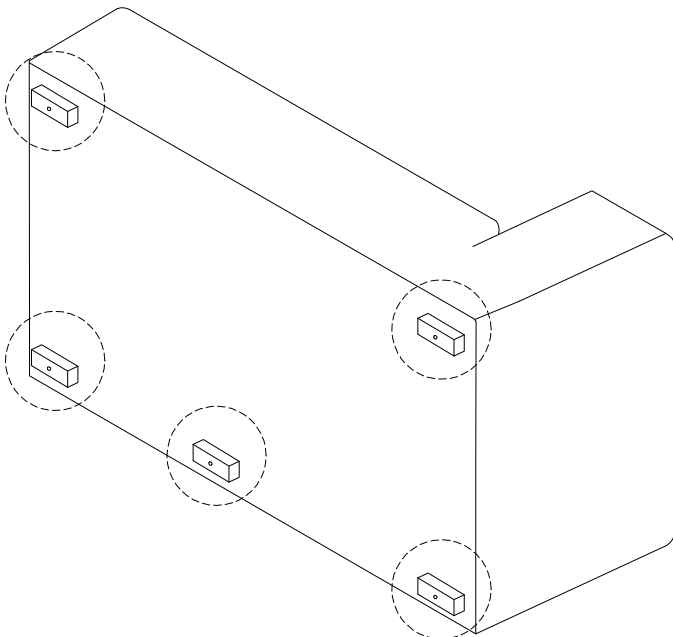


!

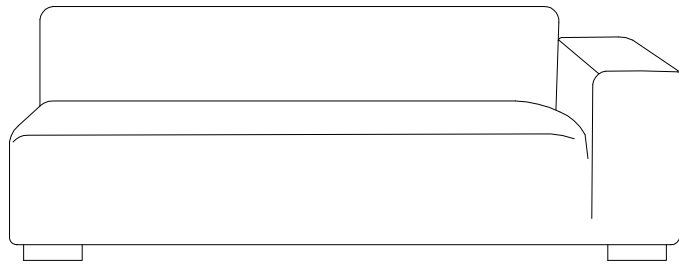
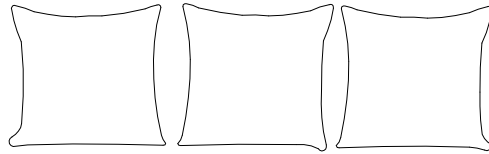
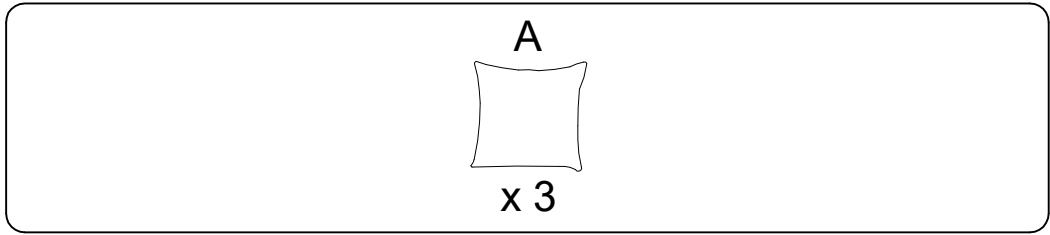


1

<b>B</b>  x 1	<b>C</b>  x 1	<b>D</b>  M8 x 60 x 5	<b>E</b>  x 5	<b>F</b>  x 1
---------------------	---------------------	--------------------------------------	---------------------	---------------------



2



!

