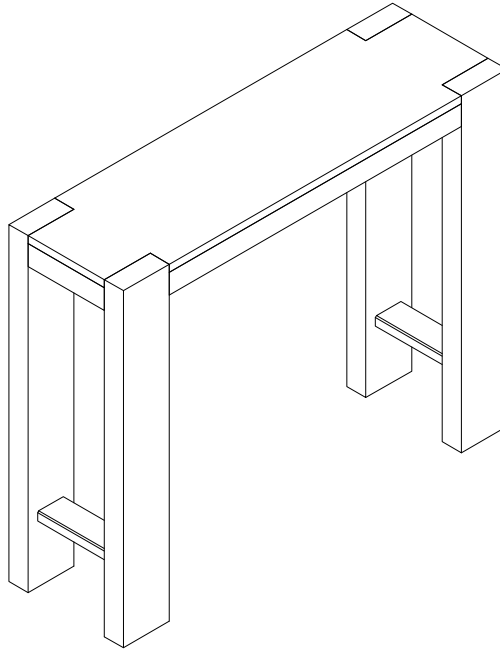


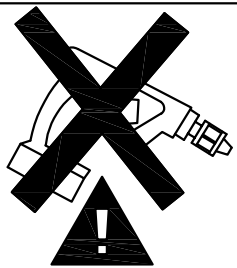
# ASSEMBLY INSTRUCTION

## Console Table 910mm

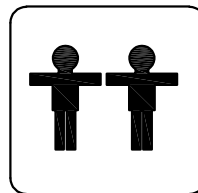


### REPLACEMENT PARTS

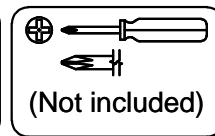
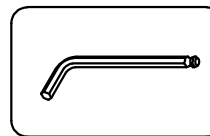
*Please do not contact the company purchased from as we can help you faster.*



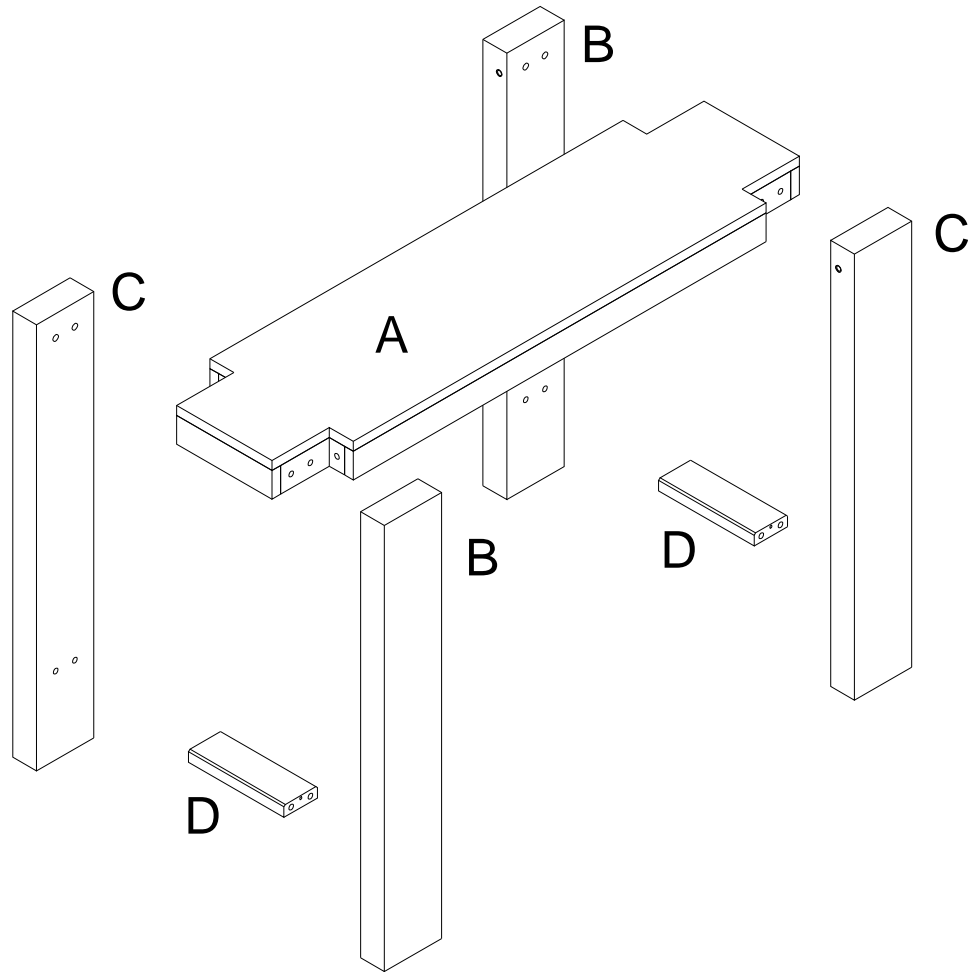
- . Use of power tool to assemble this product will invalidate any claim and damage this product making it unsafe !!!
- . Please assemble on a clean soft surface to avoid damage.




### Tools Required




# Part list - Console Table 910mm





**Identifying the hardware-Identify the hardware using the illustrations below**

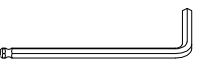
①  12  
M6 x 35mm

②  12  
Ø19 Washer


③  04  
Ø4x40mm

④  08  
Ø8 x 30mm

⑤  04  
50x20x2mm

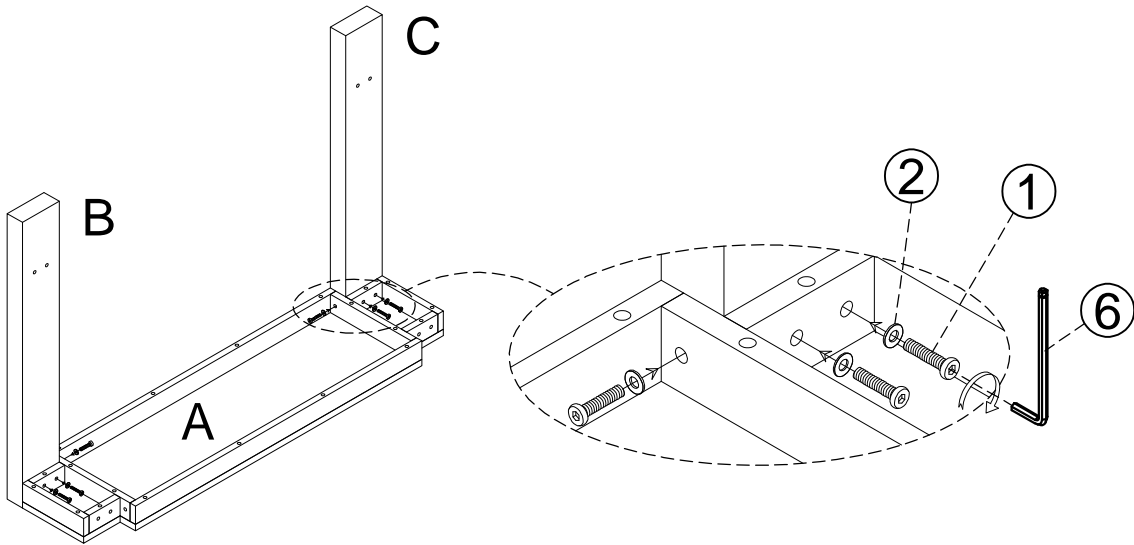
⑥  01

# STEP 1


①  06  
M6 x 35mm

②  06  
Ø19 Washer

⑥  01




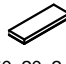
# STEP 2

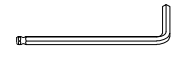
①  06  
M6 x 35mm

②  06  
Ø19 Washer

③  04  
Ø4x40mm

④  08  
Ø8 x 30mm

⑤  04  
50x20x2mm

⑥  01

