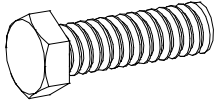


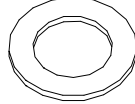
# ASSEMBLY INSTRUCTIONS

## Kit Contents:-

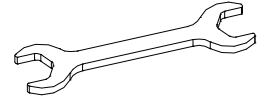
1. Bolts-9Pc.  
25x8mm.



2. Washer-9Pc.  
8mm.



3. Spanner-1Pc.  
12-13no.

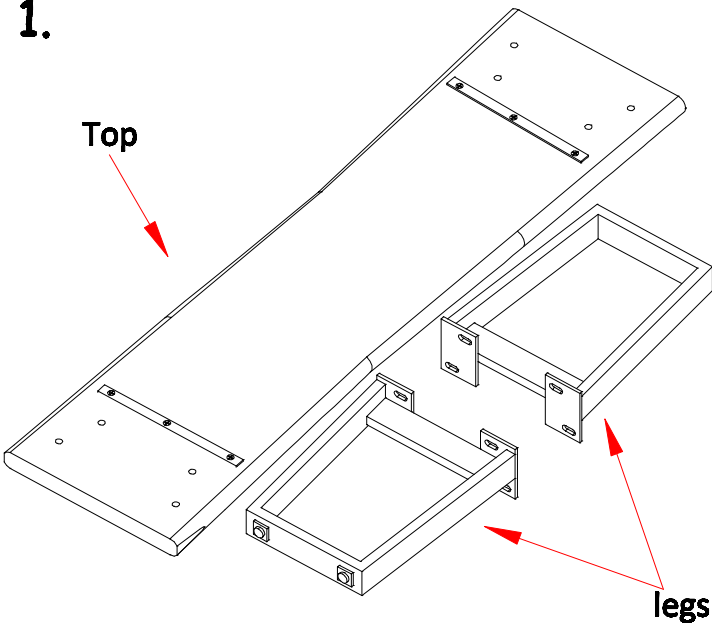


## Instructions:-

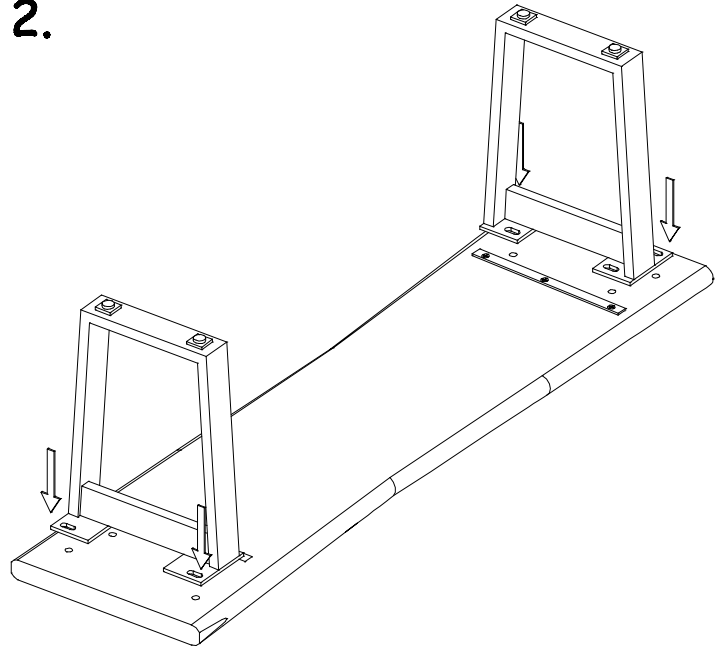
1. Put the table top upside down on a protective surface.
2. Match the holes on the table leg with holes on the bottom of the table top(See image 2). Secure using bolts & washers with spanner provided.(See image 3)
3. Similarly attach the other leg to the table by matching holes on the leg with the holes on the bottom of the table.
4. Turned the table upright and is ready to use.

1.

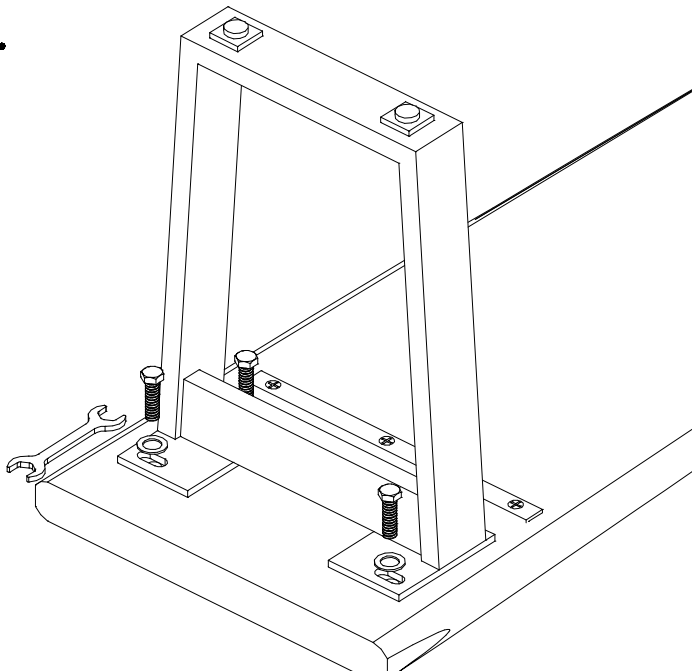
Top



2.



3.



4.

