

# USER'S MANUAL

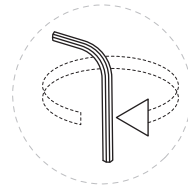
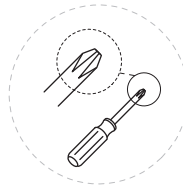
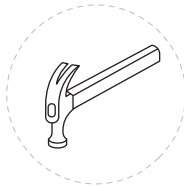
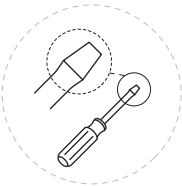
## TWIN FULL BUNK BED

THIS INSTRUCTION BOOKLET CONTAINS **IMPORTANT** SAFETY INFORMATION. PLEASE READ AND KEEP FOR FUTURE REFERENCE.



# Before You Start

- ⚠ Read each step carefully before starting. It is very important to ensure each step followed in correct order, otherwise assembly difficulties may occur.
- ⚠ Most of board parts are labeled or stamped on the raw edges. Have a check to make sure all parts are included.
- ⚠ Work in a spacious area, preferably on a carpet close to where the unit will be used.
- ⚠ Keep the handtools close at hand. Do not use power tools to assemble your furniture. They may scratch or damage the parts.





## SAFETY WARNING

**Read all instructions carefully before assembling this product.**

- 01 Follow the information on the warnings appearing on the upper bunk end structure and on the carton. Do not remove warning label from bed.
- 02 Always use the recommended size mattress or mattress support, or both, to help prevent the likelihood of entrapment or falls.
- 03 Surface of mattress must be at least 5 in. (127 mm) below the upper edge of guardrails.
- 04 Do not allow children under 6 years of age to use the upper bunk.
- 05 Periodically check and ensure that the guardrail, ladder, and other components are in their proper position, free from damage, and that all connectors are tight.
- 06 Do not allow horseplay on or under the bed and prohibit jumping on the bed.
- 07 Prohibit more than one person on upper bunk.
- 08 Always use the ladder for entering and leaving the upper bunk.
- 09 Do not use substitute parts. Contact the manufacturer or dealer for replacement parts.
- 10 Use of a night light may provide added safety precaution for a child using the upper bunk.
- 11 Always use guardrails on both long sides of the upper bunk. If the bunk bed will be placed next to the wall, the guardrail that runs the full length of the bed should be placed against the wall to prevent entrapment between the bed and wall.
- 12 The use of water or sleep flotation mattresses is prohibited.
- 13 STRANGULATION HAZARD- Never attach or hang items to any part of the bunk bed that are not designed for use with the bed; for example, but not limited to hooks, belts and jump ropes.
- 14 Keep these instructions for future reference.

### SIZE OF MATTRESS AND FOUNDATION:

- Use a mattress which is 38"-38 1/2" wide and 74"-75" long on upper bunk(twin size).
- Ensure that the thickness of the mattress does not exceed 7" and that the mattress surface is at least 5"(127mm) below the upper edge of the guardrails.
- Use a mattress which is 53 1/2" wide and 74"-75" long on lower bunk(full size.)
- Ensure that the thickness of the mattress on lower bunk is at least 8" and does not exceed 11".

### WARNING

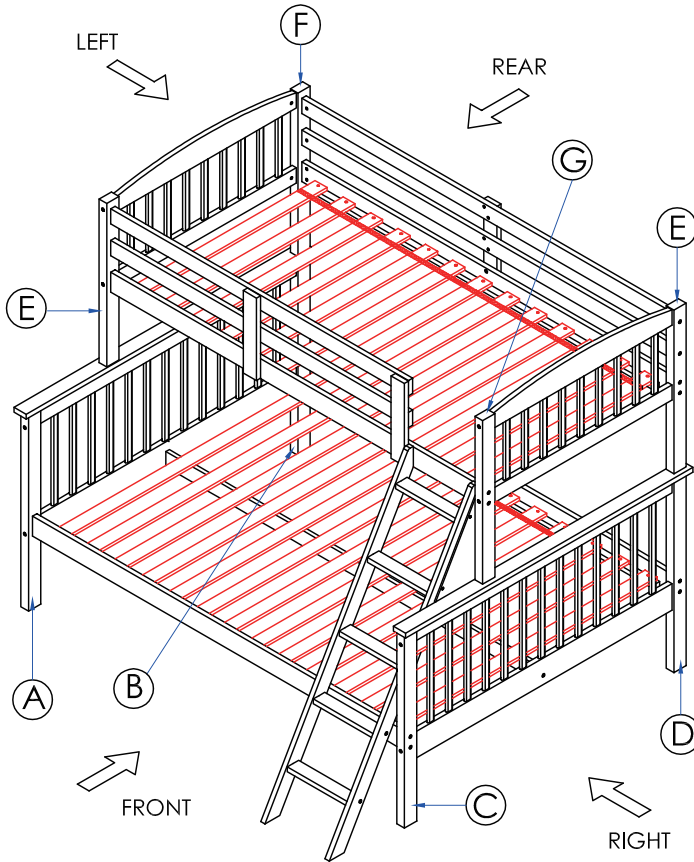
Adult Assembly Required. This package contains small parts. Keep away from children.

### Replacement Parts:

Replacement parts may be obtained from your GOPLUS CROP dealer.

**IMPORTANT: ALL CONNECTIONS MUST BE TIGHTENED PROPERLY**

Distributed by: GOPLUS CORP / 11250 Poplar Ave, Fontana. CA 92237







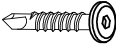
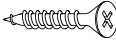

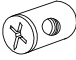

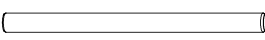

### ASSEMBLY TIPS

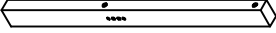
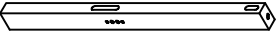
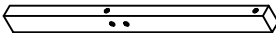
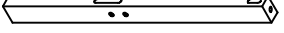
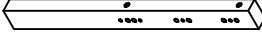

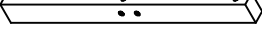
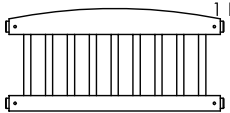
1. Remove hardware from box and sort by size.
2. Please check to see that all hardware and parts are present prior start of assembly.
3. Please follow attached instructions in the same sequence as numbered to assure fast and easy assembly.



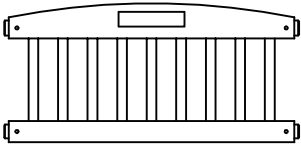

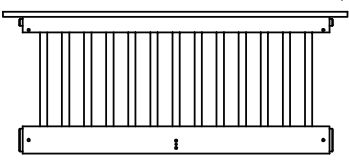
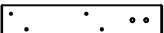
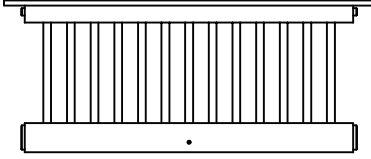
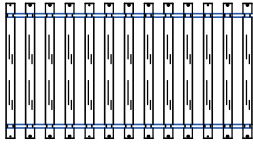
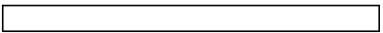
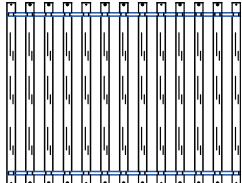
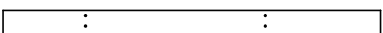
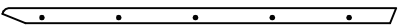
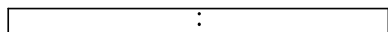

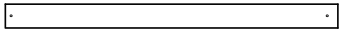
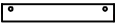
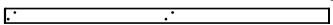

### WARNING

1. Don't attempt to repair or modify parts that are broken or defective. Please contact the store immediately.
2. This product is for home use only and not intended for commercial establishments.

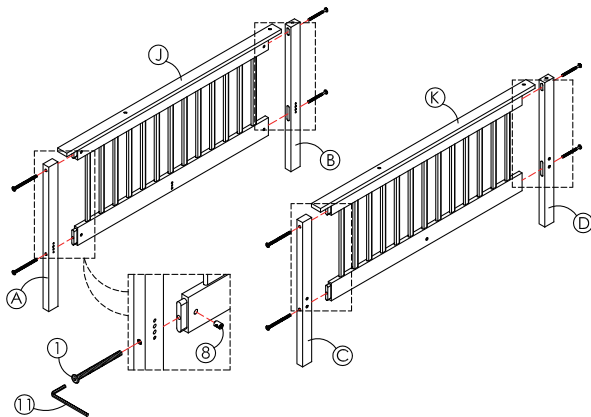
HARDWARE LIST			
1		16 PCS	
	JCBC M6 x 100mm		
2		22 PCS	
	JCBC M6 x 80mm		
3		12 PCS	
	JCBC M6 x 60mm		
4		6 PCS	
	JCBC M6 x 30mm		
5		16 PCS	
	JCBC-W M6 x 30mm		
6		48 PCS	
	WOOD SCREW 4.0 x 30mm		
7			4 PCS
	WOOD SCREW 3.5 x 16mm		
8			50 PCS
	BARREL NUT M6 x 13mm		
9			42 PCS
	WOOD DOWEL Ø10 x 30mm		
10			4PCS
	METAL HOLLOW PIN Ø9.5 x 127mm		
11			1PC
	ALLEN KEY		

COMPONENT LIST			
A		1 PC	
	LOWER LEG (LEFT - FRONT)		
B		1 PC	
	LOWER LEG (LEFT - REAR)		
C		1 PC	
	LOWER LEG (RIGHT - FRONT)		
D		1 PC	
	LOWER LEG (RIGHT - REAR)		
E			2 PCS
	UPPER LEG (LEFT FRONT & RIGHT REAR)		
F			1 PC
	UPPER LEG (LEFT - REAR)		
G			1 PC
	UPPER LEG (RIGHT - FRONT)		
H			1 PC
	UPPER HEADBOARD FRAME		

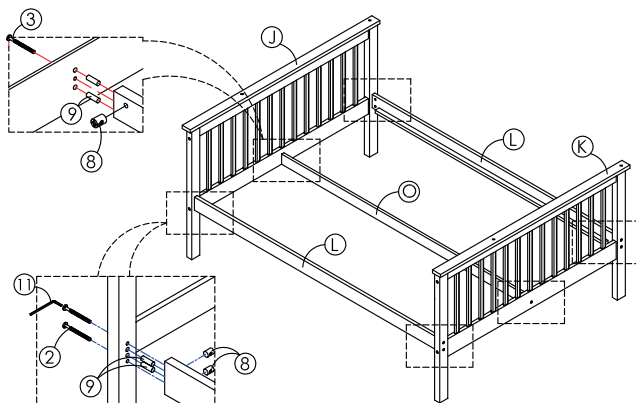
## COMPONENT LIST

I	 <p>UPPER FOOTBOARD FRAME WITH STICKER</p>	1 PC	<p>Q  2 PCS</p> <p>REAR GUARD RAIL</p>
J	 <p>LOWER FRAME (LEFT)</p>	1 PC	<p>R  3 PCS</p> <p>GUARD RAIL SUPPORT</p>
K	 <p>LOWER FRAME (RIGHT)</p>	1 PC	<p>S  1 SET</p> <p>UPPER SLAT</p>
L	 <p>SIDE RAIL (LOWER)</p>	2 PCS	<p>T  1 SET</p> <p>LOWER SLAT</p>
M	 <p>SIDE RAIL (UPPER-FRONT)</p>	1 PC	<p>U  1 PC</p> <p>LEFT LADDER RAIL</p>
N	 <p>SIDE RAIL (UPPER-REAR)</p>	1 PC	<p>V  1 PC</p> <p>RIGHT LADDER RAIL</p>
O	 <p>CENTER RAIL</p>	1 PC	<p>W  5 PCS</p> <p>LADDER STRETCHER</p>
P	 <p>FRONT GUARD RAIL</p>	2 PCS	<p>X  1 PC</p> <p>TRIANGLE PANEL</p>

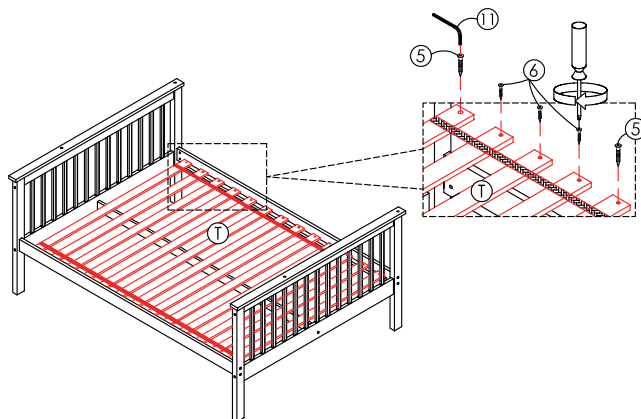
1



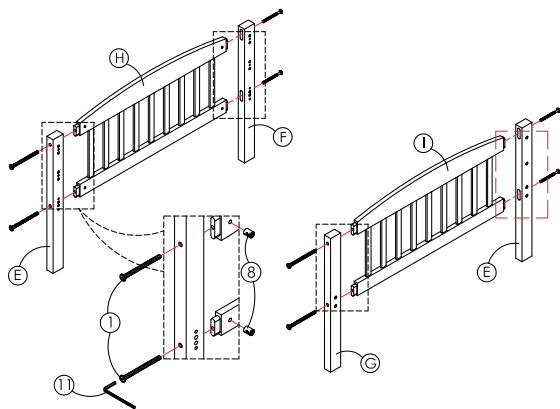
2



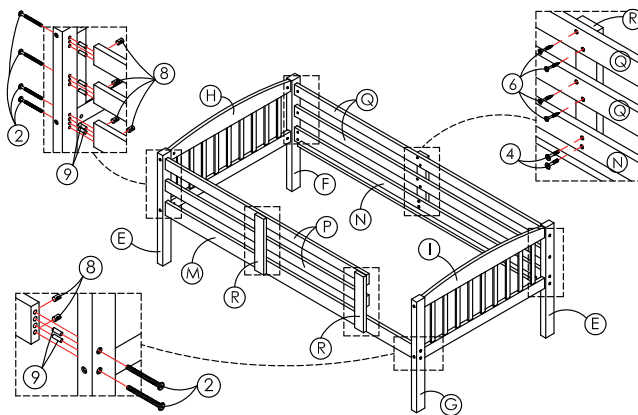
3



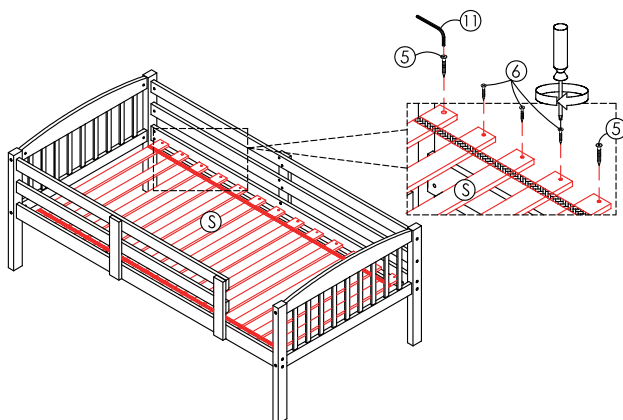
4



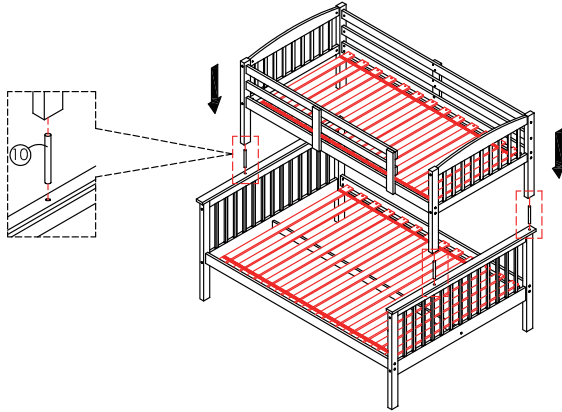
5



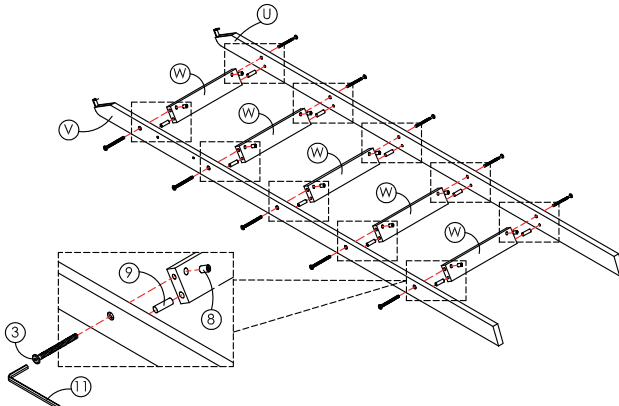
6



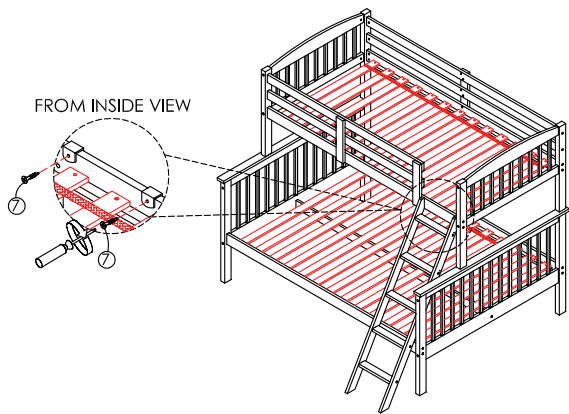
7



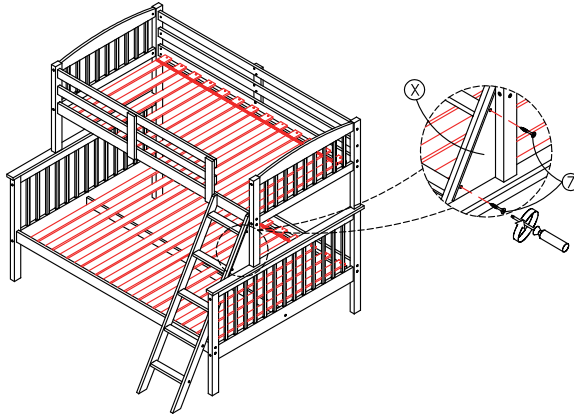
8



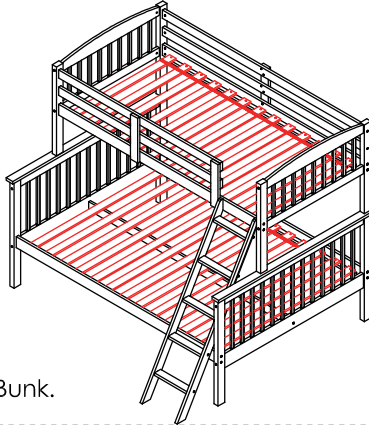
9



10

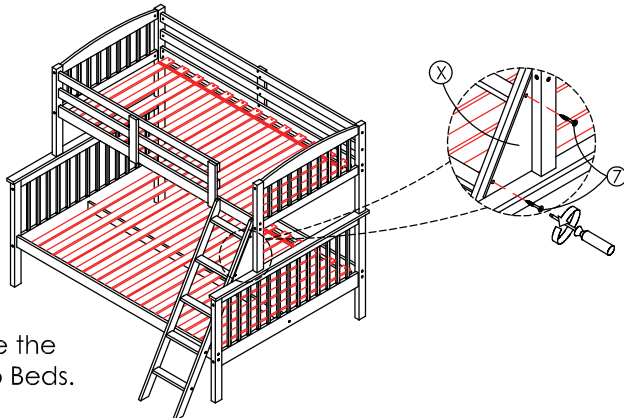


11



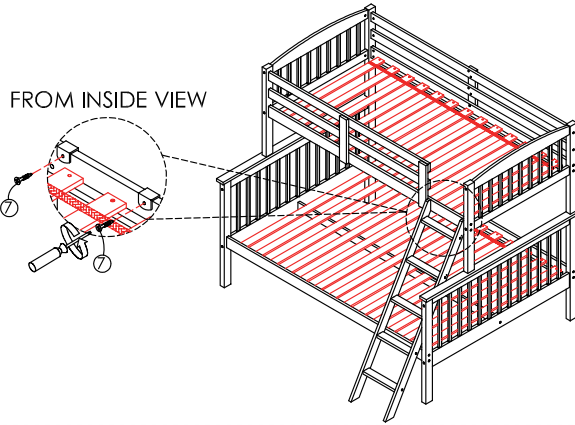
Complete Assembly For Twin Full Bunk.

12

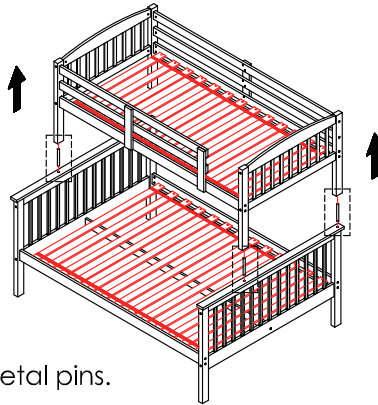


Instructions to change the  
Twin Full Bunk into Two Beds.

13

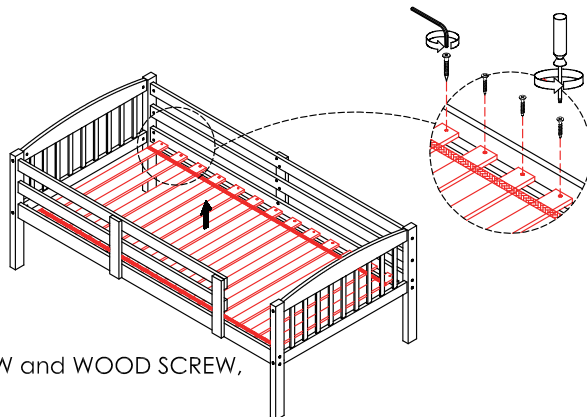


14



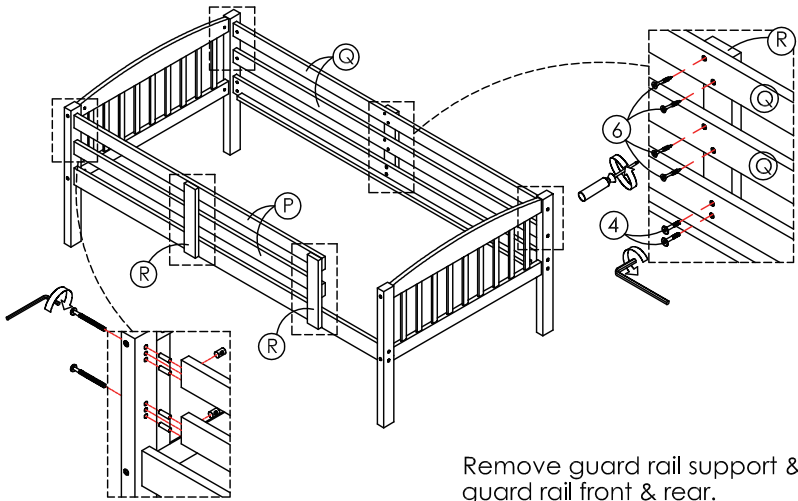
Lift the upper bed and remove metal pins.

15



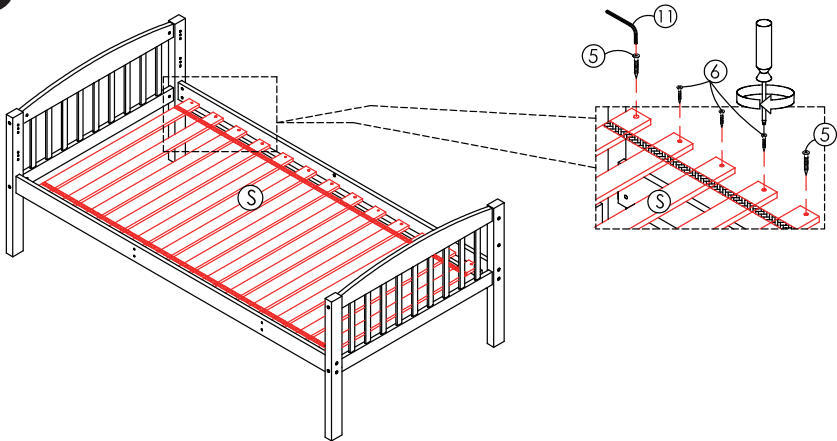
Unscrew the JCBC-W and WOOD SCREW,  
then lift the slat.

16



Remove guard rail support & guard rail front & rear.

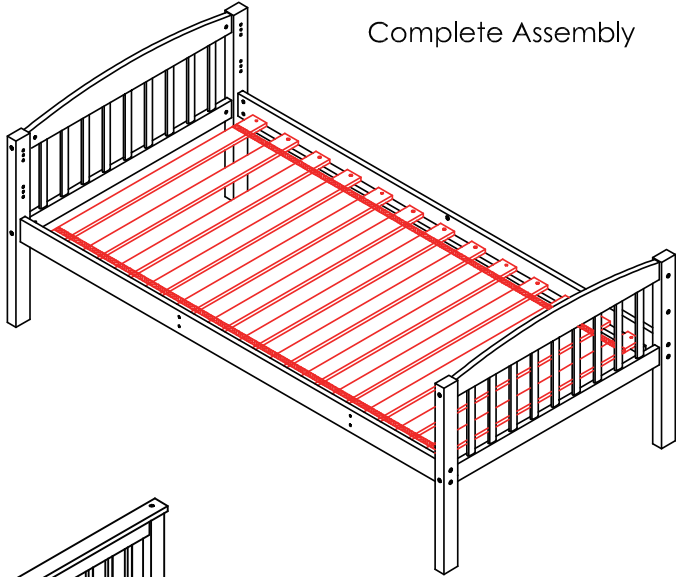
17



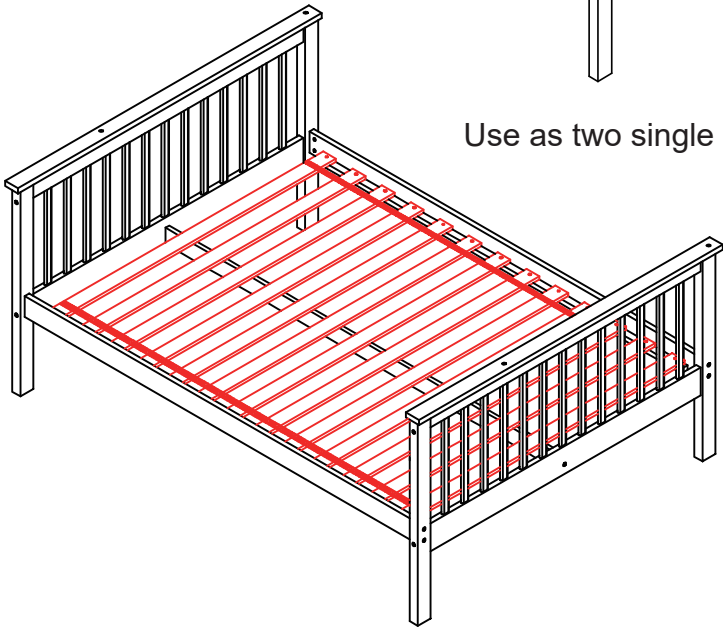
Tighten slat with JCBC-W and WOOD SCREW as shown in picture.

18

Complete Assembly



Use as two single beds



# Care and Maintenance

Use a soft, clean cloth that will not scratch the surface when dusting.

Use of furniture polish is not necessary.

Should you choose to use polish, test first in an inconspicuous area.

Using solvents of any kind on your furniture may damage the finish.

Never use water to clean your furniture as it may cause damage to the finish.

Liquid spills should be removed immediately. Using a soft clean cloth, blot the spill gently. Avoid rubbing.

Check bolts/screws periodically and tighten them if necessary.

## Further advice about wood furniture care

It is best to keep your furniture in a climate-controlled environment.

Extreme temperature and humidity changes can cause fading, warping, shrinking and splitting of wood.

It is advised to keep furniture away from direct sunlight as sun may damage the finish.

Proper care and cleaning at home will extend the life of your purchase.

Following these important and helpful tips will enhance your furniture as it ages.