



Kindly Remind

**It is not easy to meet each other in such a big world
Thank You for Your Purchase!**

Dear Valued Customer,

If you encounter any issues, please contact us. Our support team is here to help.

E-mail us via : assemblehelp@163.com

Text us via : 9153393399

Please provide us below information when you contact us:

1. Purchase order number and platform
2. Problem details(including damage or missing parts number, problem picture)

Response Hours: In 24 hours

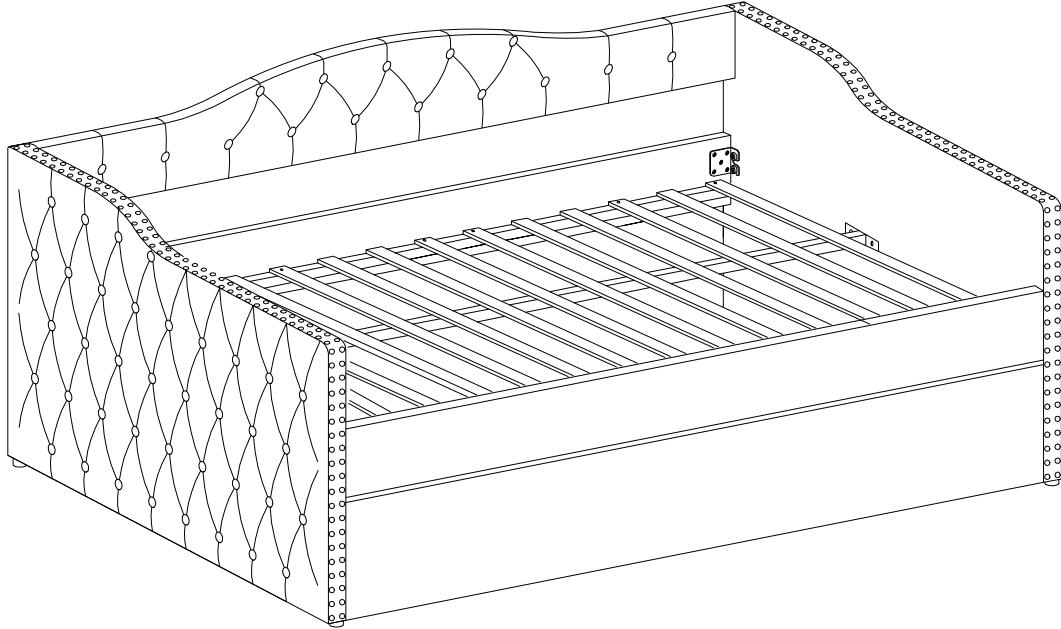
Return policy:

1. Save time and money: Don't return the product without contacting US
2. Don't open all packages if returning, use the original package for return
3. For quality issues, provide images or videos for a quick solution within 24 hours.

Easier Installation help: please use your mobile browser to scan the QR code below to watch the installation video.(Day bed with a trailer bed SKU : 9510)

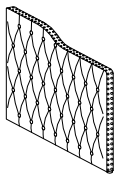


ASSEMBLY INSTRUCTION

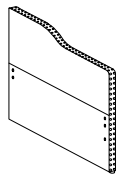


STEP :Packing Details

BOX 1



A: 1pc

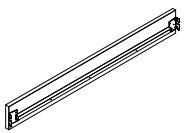


B: 1pc

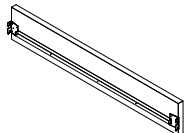


F: 13pcs

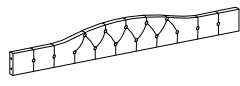
BOX 2



C: 1pc



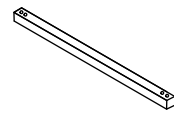
D: 1pc



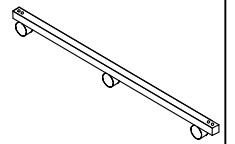
E: 1pc



G: 1pc



H: 2pcs



I: 2pcs



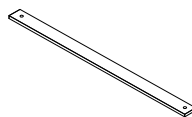
J: 4pcs



K: 4pcs



L: 1pc



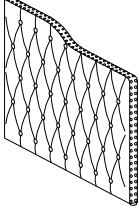
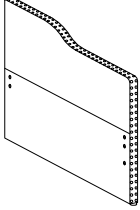
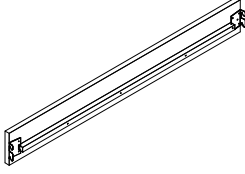
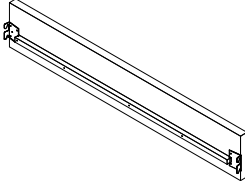
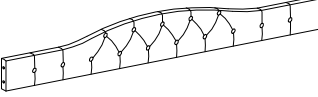
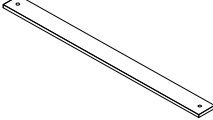

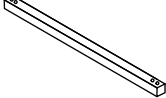
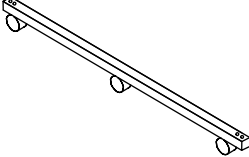

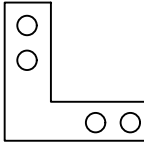

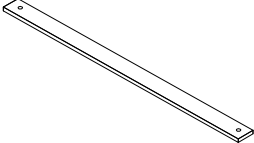
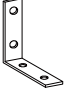
M: 11pcs



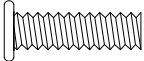
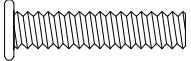



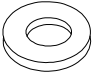

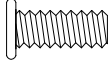

N: 2pcs

HARDWARE LIST

ASSEMBLY INSTRUCTION

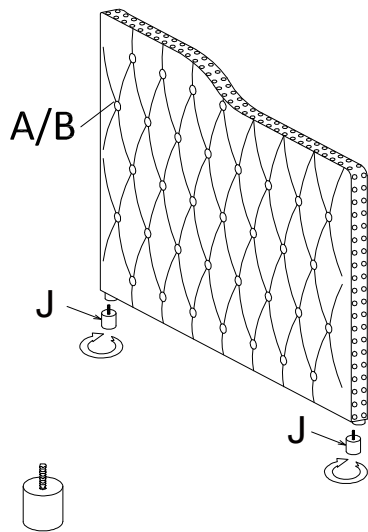
			
A: 1pc	B: 1pc	C: 1pc	D: 1pc
			
E: 1pc	F: 13pcs	G: 1pc	H: 2pcs
			
I: 2pcs	J: 4pcs	K: 4pcs	L: 1pc
			
M: 11pcs	N: 2pcs		

HARDWARE LIST

			
M6*30mm 1: 12pcs	M6*50mm 2: 12pcs	M6*40mm 3: 48pcs	M6 4: 8pcs
			
M8*50mm 5: 2pcs	M6*19mm 6: 72pcs	M6 7: 1pc	M6*16MM 8: 8pcs
			
M6 9: 1pc			

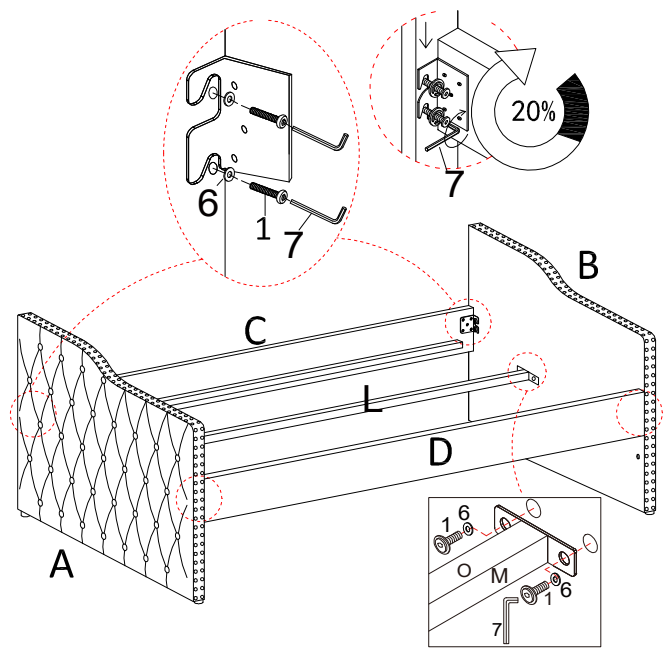
Assembly Steps

STEP 1: Install the leg



J: 4pcs

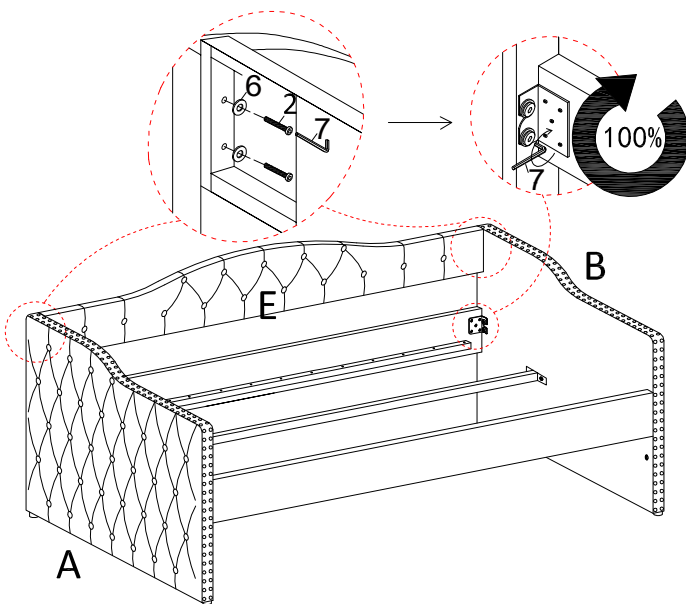
STEP 2: Install front and rear panels



	1 : 12PCS
	7 : 1PC
	6 : 12PCS

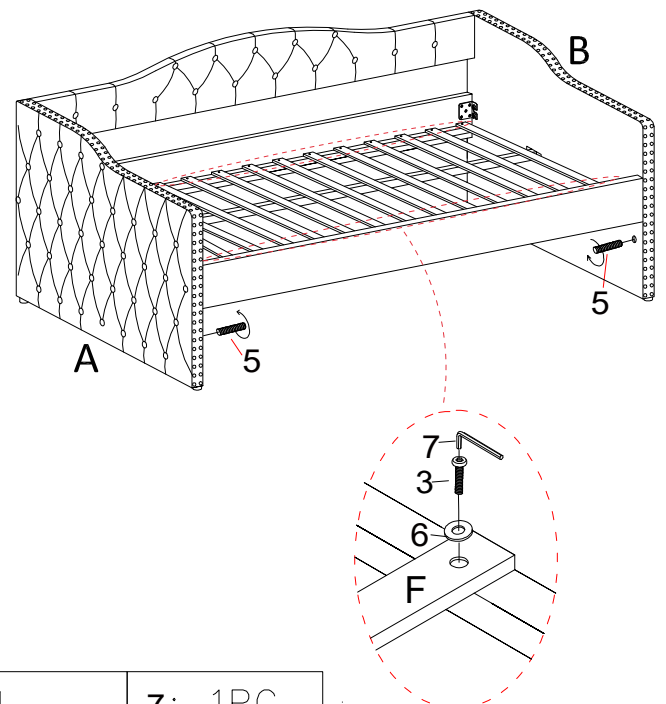
STEP 3: Install the backrest

In this step, all screws that were not fully tightened in Step 2 must be tightened.



	2 : 4PCS
	6 : 4PCS
	7 : 1PC

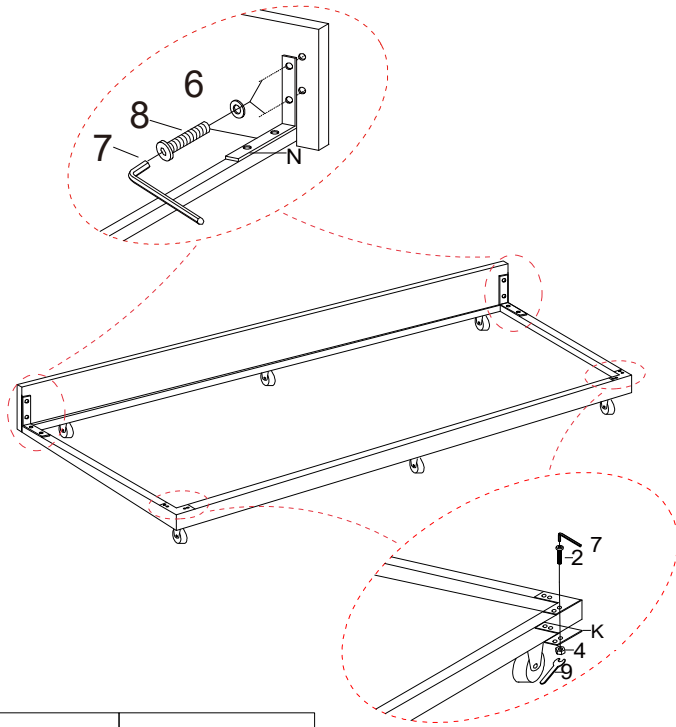
STEP 4: Install bed slats



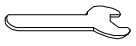



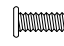

	7 : 1PC
	6 : 26PCS
	5 : 2PCS
	3 : 26PCS

Assembly Steps

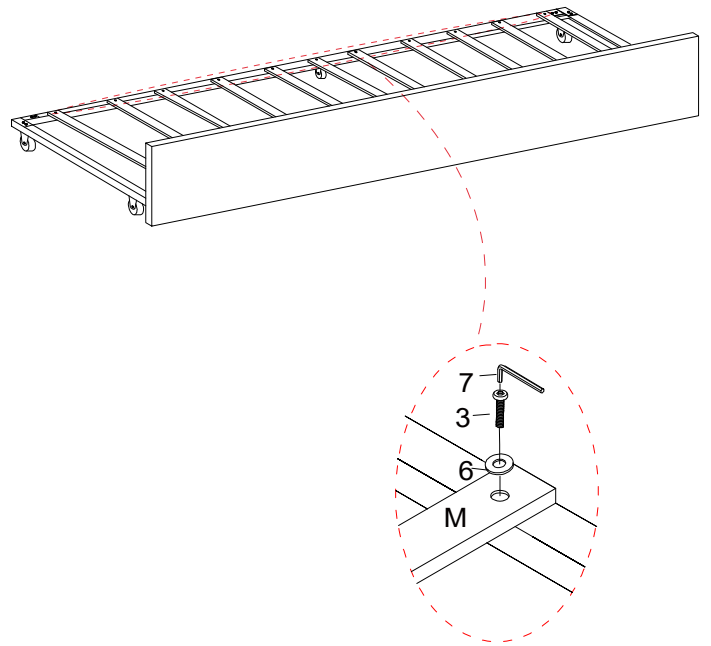
STEP 5: Assembled sliding bed






	2:8 PCS
	4:8 PCS
	9: 1PC
	7 : 1PC

	8:8 PCS
	6:8 PCS

STEP 6: Install bed slats



	7: 1PC
	6: 22PCS
	3: 22PCS

STEP 7:

