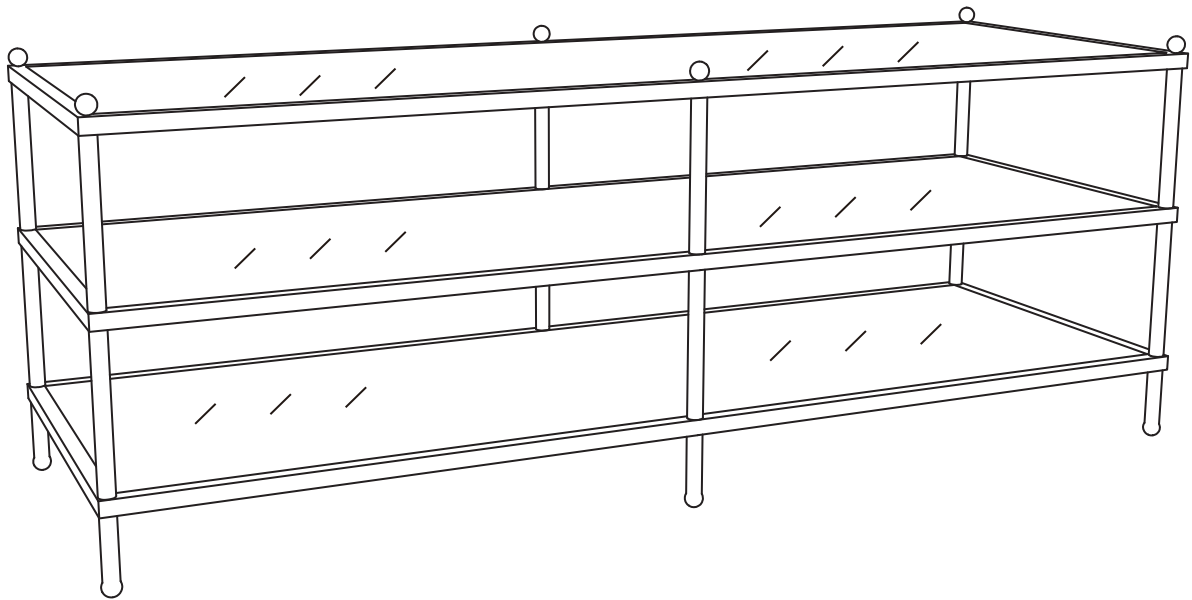


3 TIER COFFEE TABLE



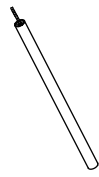
ASSEMBLY INSTRUCTIONS

We have designed our furniture with you , the customer in mind . Our clear , easy to follow , step by step instructions will guide you through the project from start to finish . Feel confident that this will be a fun and rewarding project . The final product will be a quality piece of furniture that will go together smoothly and give years of enjoyment .

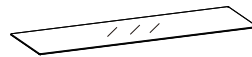
Panel List



A Frame (3pcs)



B Bottom pole (6pcs)



C Glass panel (3pcs)



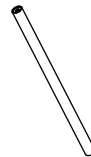
D Foot (6pcs)



E Ball end (6pcs)



F Non-slip disk (18pcs)



G Top pole (6pcs)

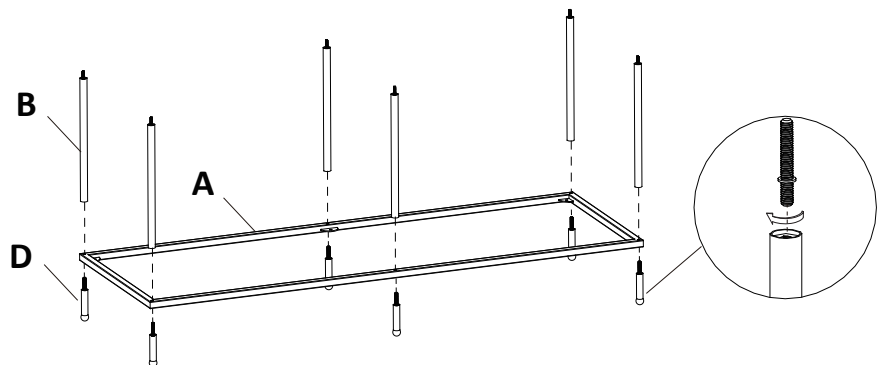


H Polishing cloth (1pc)

Step 1

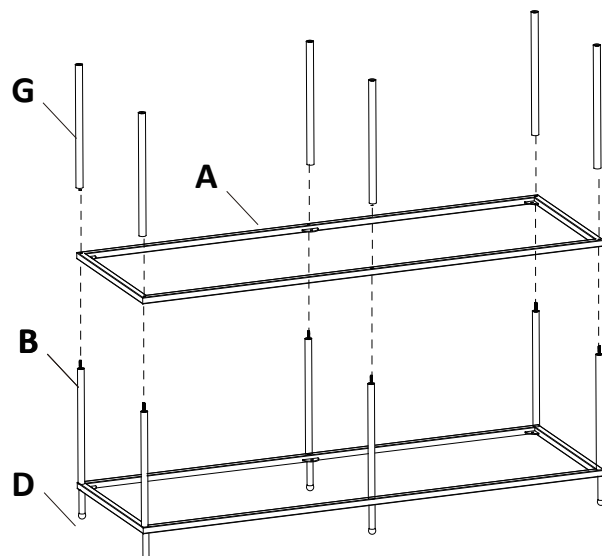
*** ALL OF THE THREADED RODS MUST BE FULLY TIGHTENED INTO THE FEET AND POLES BEFORE BEGINNING ASSEMBLY ***

1. Place frame (A) onto feet (D) .
2. While holding the feet steady in place screw bottom poles (B) into feet (D) .



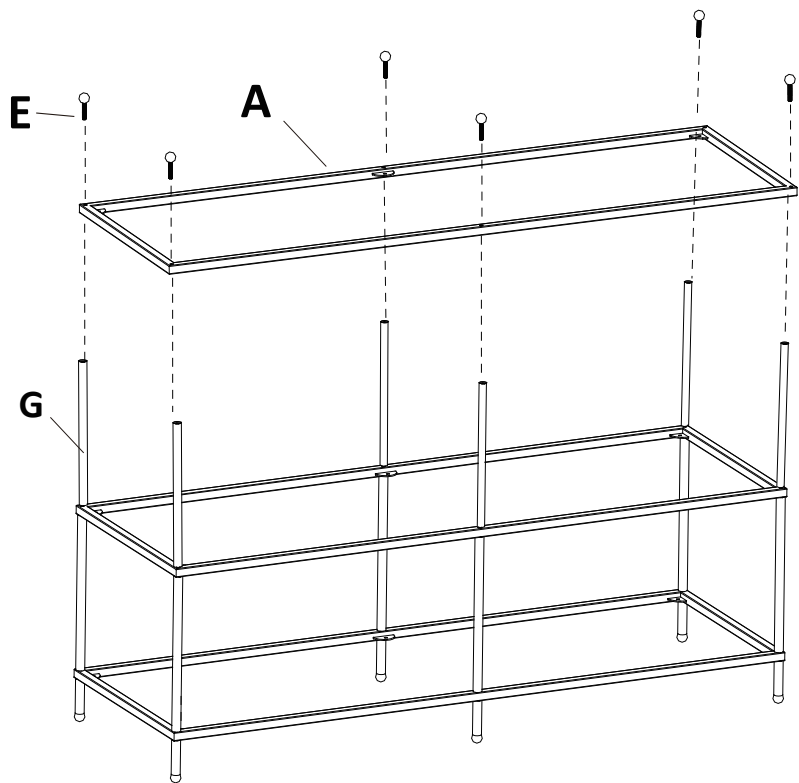
Step 2

1. Place second frame (A) onto unit and while holding the bottom poles steady in place screw top poles (G) into bottom poles (B) as show.



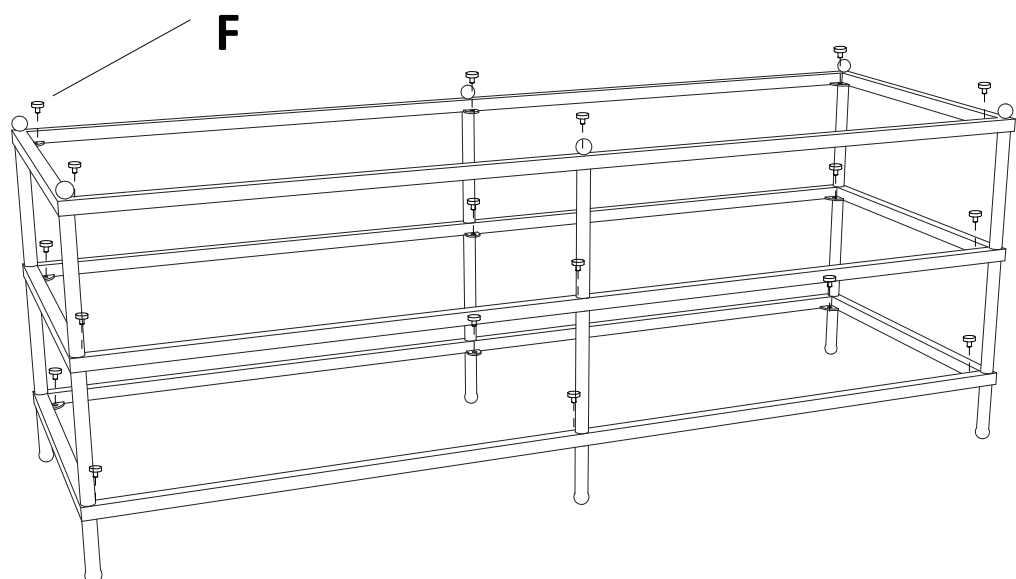
Step 3

1. Place third frame (A) onto unit and while holding the top poles steady in place, screw ball ends (E) into top poles (G) as show.



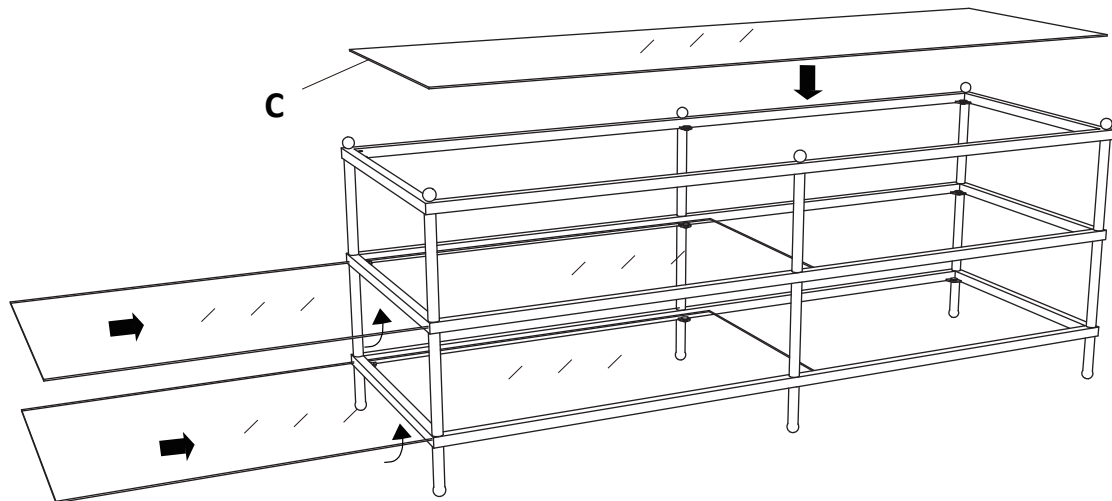
Step 4

1. Place non-slip disks (F) into assembly as shown to support glass shelf.



Step 5

1. Using a slight angle carefully insert glass panels (C) into unit.



Step 6

1. Enjoy your new coffee table.

