

SLAT KIT FULL BED

ATLANTIC

ASSEMBLY INSTRUCTION

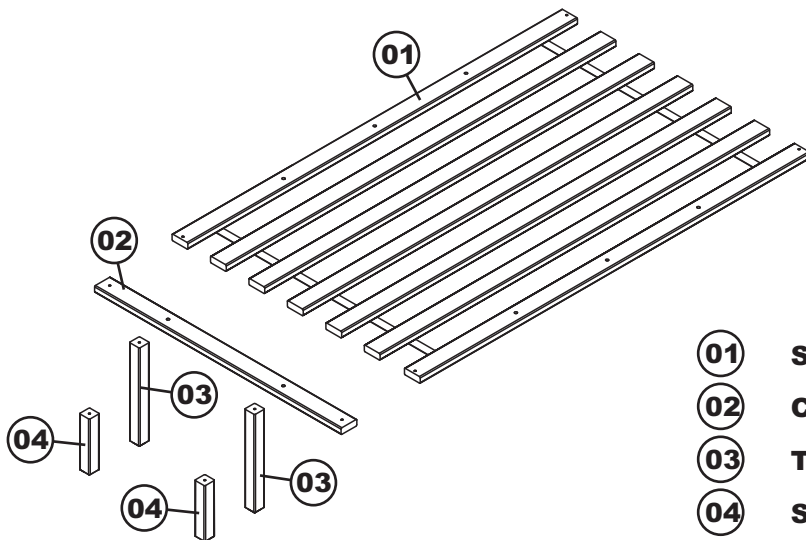
(FULL E-65303)

Before assembling your bed slat kit, please read through these instructions carefully and familiarize yourself with the different parts. Please note that you will require a Phillips head screwdriver and an allen wrench.

ATTENTION! If you receive a damaged or defective item, please contact Atlantic Furniture at service@atlanticfurniture.com or 1-800-955-3726



PARTS LIST

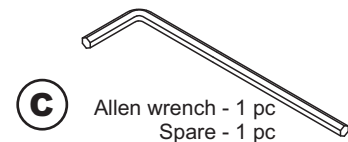
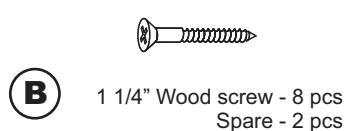
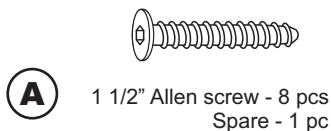


PO :

01	SLAT SECTION	2 SET
02	CENTER RAIL	2 PCS
03	TALL SUPPORT LEG	4 PCS
04	SHORT SUPPORT LEG	4 PCS

HARDWARE

NOTE: WE INCLUDE SPARE HARDWARE IN CASE THE ALLEN WRENCH, ALLEN SCREW OR WOOD SCREW ARE DAMAGED DURING ASSEMBLY.

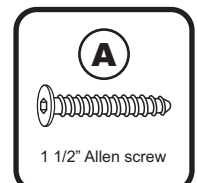
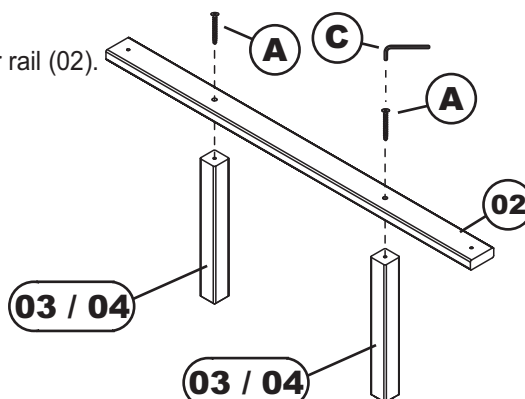
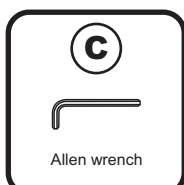


Step 1

Assemble bed frame according to bed assembly instructions. If using mattress and foundation set the bed up low and use short support leg. If using Storage Drawers or Trundle Bed choose the tall support leg.

Step 2

Assemble support leg (03 / 04) and center rail (02). Using Allen screw (A). Tighten with the Allen wrench (C). Repeat for other center rail.





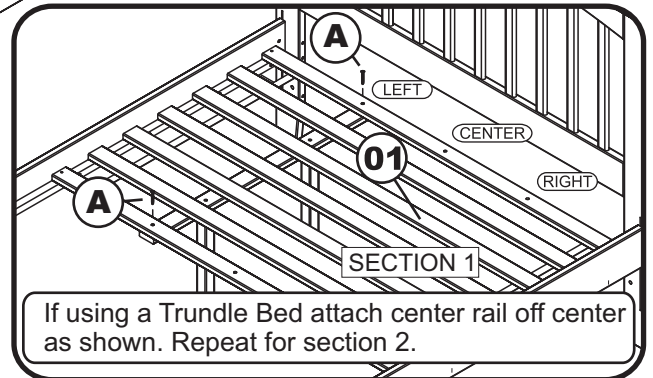
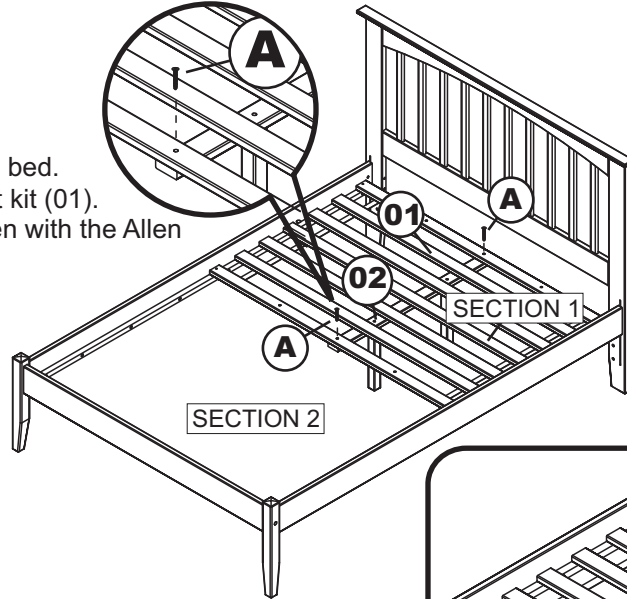
atlanticfurniture.com

SLAT KIT FULL BED

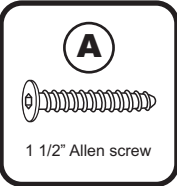
ATLANTIC

Step 3

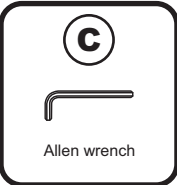
Lay the slat kit (01) onto the bed.
Attach center rail (02) to slat kit (01).
Using Allen screw (A), tighten with the Allen wrench (C).
Repeat for section 2.



If using a Trundle Bed attach center rail off center as shown. Repeat for section 2.



1 1/2" Allen screw



Allen wrench

Step 4



Adult assembly

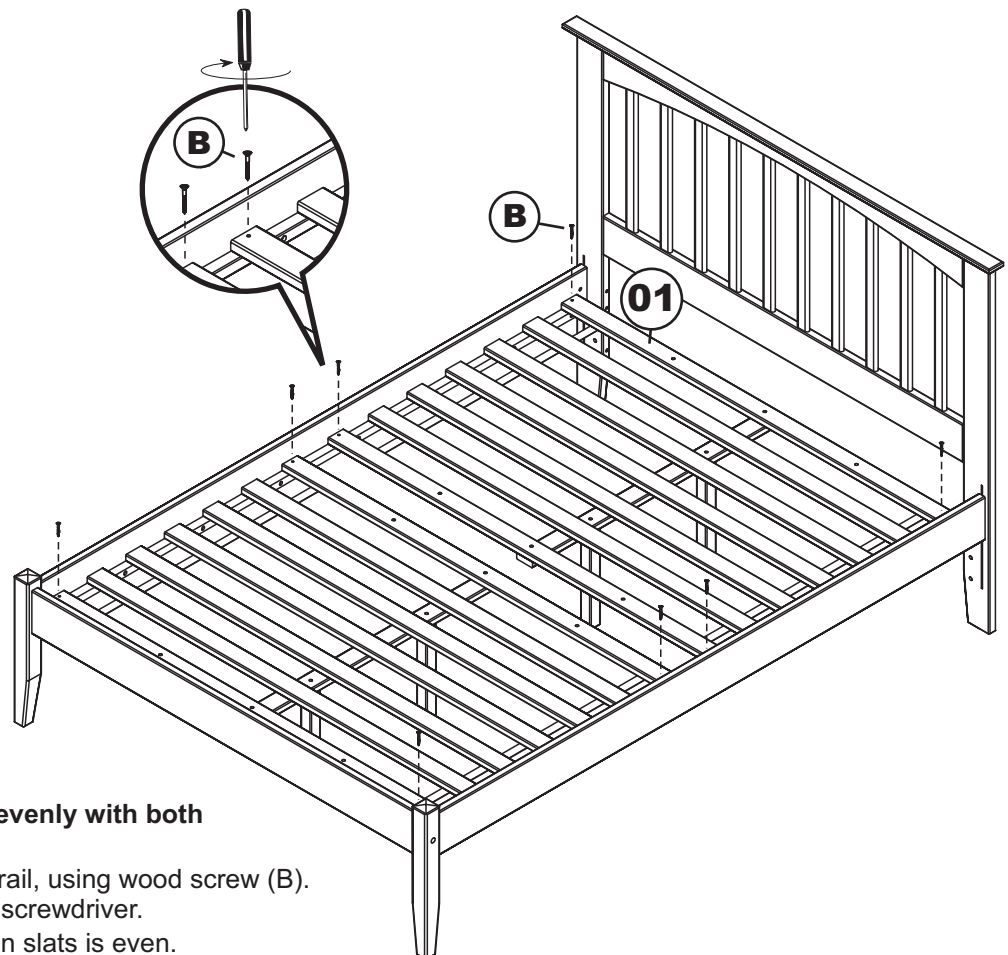


1 1/4" Wood screw



Phillips head screwdriver

Customer supplied



Be sure to align slat kit evenly with both ends of ledger strip.

Screw slat kit (01) to side rail, using wood screw (B).
Tighten with Phillips head screwdriver.

Be sure the space between slats is even.