

Assembly Instructions

We believe you will absolutely love your new furniture.

Please **inspect your product carefully upon receipt**. If any parts are missing or damaged, please contact us within **30 days** of delivery. Our Customer Service team is here to help with any concerns or questions — including support for missing parts, replacements, or general assembly assistance.

If you're considering a return, please **reach out to us directly before contacting the retailer**. In many cases, we can resolve your issue quickly and efficiently.

When reaching out, please include:

- **Item Number**
- **Purchase Order (PO) Number**
- **Purchaser's Name**
- **Proof of Purchase**
- **Description of the issue or the specific part number needed**

Most replacement parts or hardware ship within 3-5 business days. We appreciate your patience.

Return Policy Reminder

If you decide to return the item, it must be in **good condition**, in the **original packaging**, and include **all parts, accessories, and proof of purchase**, within the timeframe specified by the retailer where it was purchased.

30-Day Limited Warranty

This product is covered by a **30-day limited warranty** for manufacturing defects.

This warranty does **not** cover:

- Commercial, rental, or non-residential use
- Improper maintenance or misuse
- Damages from incorrect assembly
- Normal wear and tear
- Any product purchased from or modified by a **non-authorized dealer**

To file a warranty claim, you'll need:

- Clear photos of the issue
- Purchase order number
- Manufacturer's barcode label
- Any additional documentation upon request

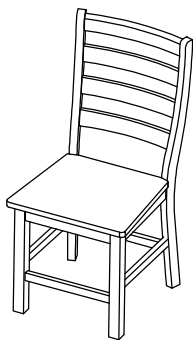
The manufacturer reserves the right to **repair or replace** defective parts based on the documentation provided. Return shipping costs are not covered unless pre-approved.

This warranty does **not** apply to items that have been moved from the original delivery location or exchanged previously under warranty.

Thank you for choosing us. We appreciate your business!

ASSEMBLY INSTRUCTION

LADDER BACK SIDE CHAIR



Thank you for purchasing this product. Please take time to read and follow the instructions below. Check that you have all parts and hardware before assembly. Parts apparently missing are often found in the packing materials. If you do not have all the parts listed, have your dealer contact us and they will be sent to you immediately.

⚠ It is recommended to install protective pads under all legs and supports to avoid damage or scratches when placing furniture on a wood floor or other hard surface, and to limit indentation and prevent discoloration if placing on carpet.

⚠ Hardware may loosen over time. Periodically check to make sure all connections are tight. Re-tighten if necessary.

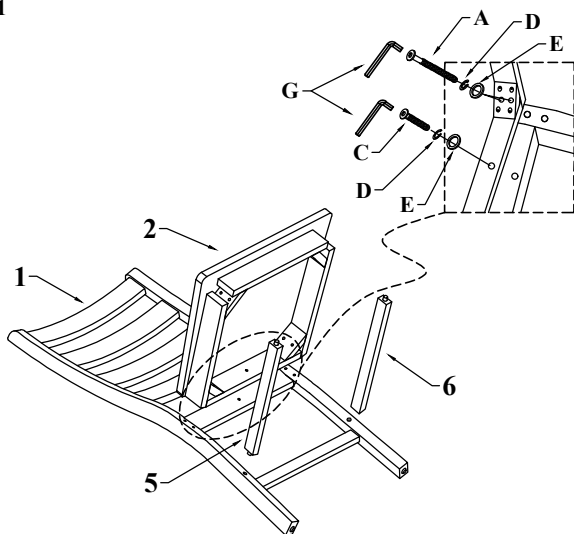
PARTS LISTS			
No.	Sketch	Description	Q'ty
1		Chair Back	1PC
2		Chair Seat	1PC
3		Chair Front Leg (L)	1PC
4		Chair Front Leg (R)	1PC
5		Chair Side Stretcher (L)	1PC
6		Chair Side Stretcher (R)	1PC
7		Chair Front Stretcher	1PC

HARDWARE LISTS				
No.	Description	Size	Sketch	Q'ty
A	Bolt	Ø1/4" x 75mm		4PCS
B	Bolt	Ø1/4" x 60mm		4PCS
C	Bolt	Ø1/4" x 35mm		1PC
D	Spring Washer	Ø5/16" x Ø13mm		9PCS
E	Flat Washer	Ø5/16" x Ø19mm		9PCS
F	Screw	Ø4 x 40mm		6PCS
G	Allen Key	M4 x 59mm		1PC

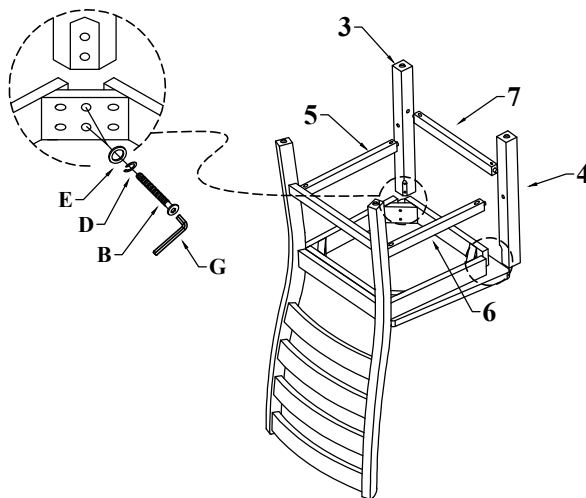
* HARDWARE SET ARE PACKED FOR ASSEMBLY

* SCREWDRIVER (NOT PROVIDED)

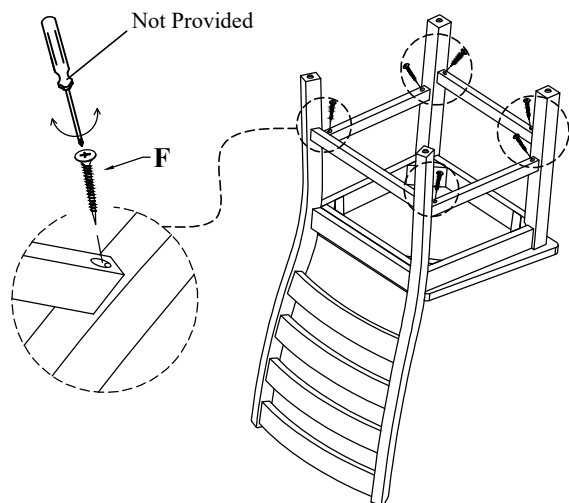
STEP 1



STEP 2

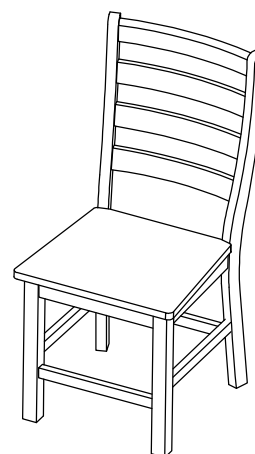


STEP 3



STEP 4

COMPLETED



Do not tighten bolts until completely assembled.