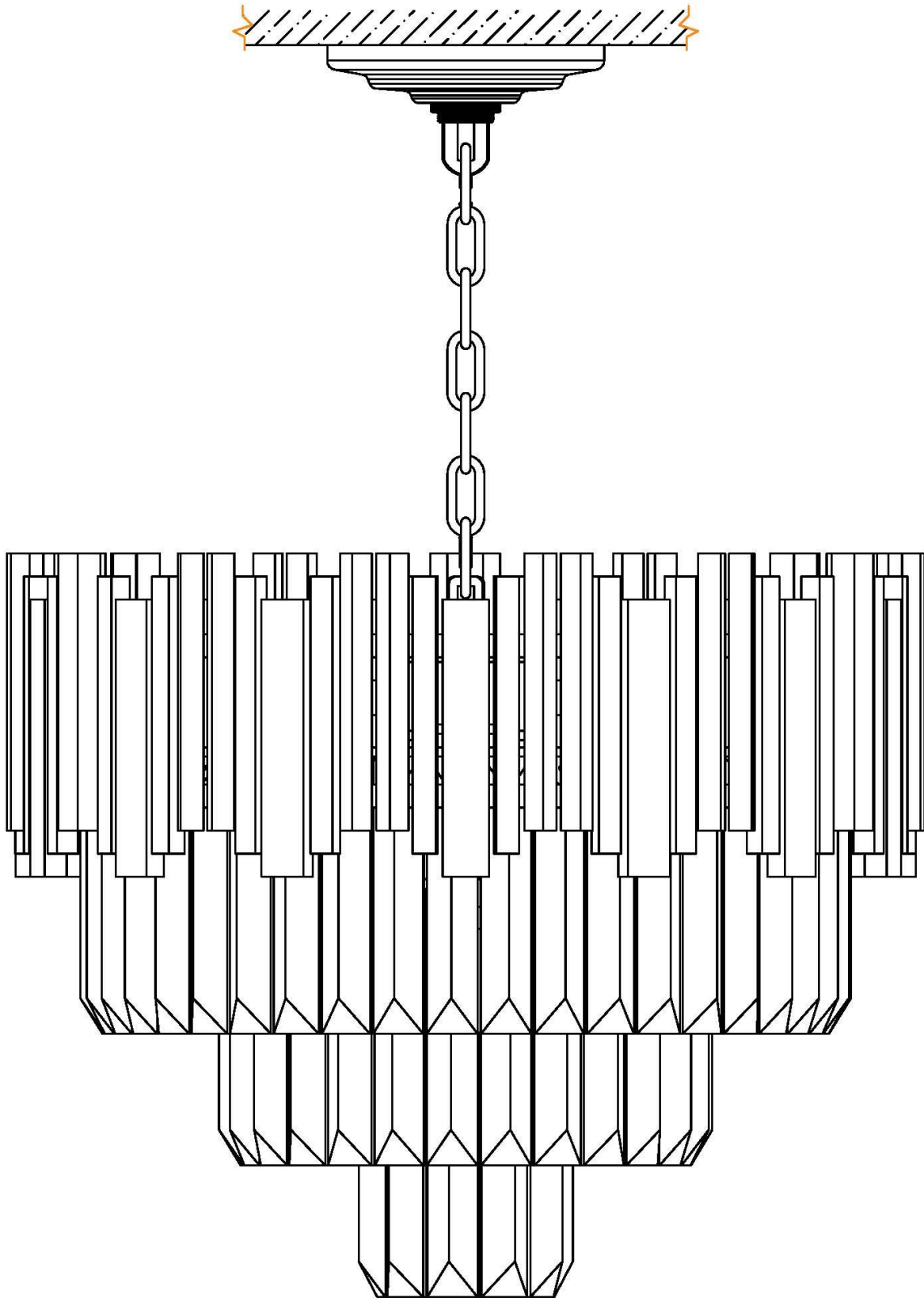


Installation & Assembly



INSTRUCTION MANUAL

♥Thank you for choosing♥

NOTICE:

IMPORTANT, KEEP FOR FUTURE REFERENCE PLEASE READ CAREFULLY.

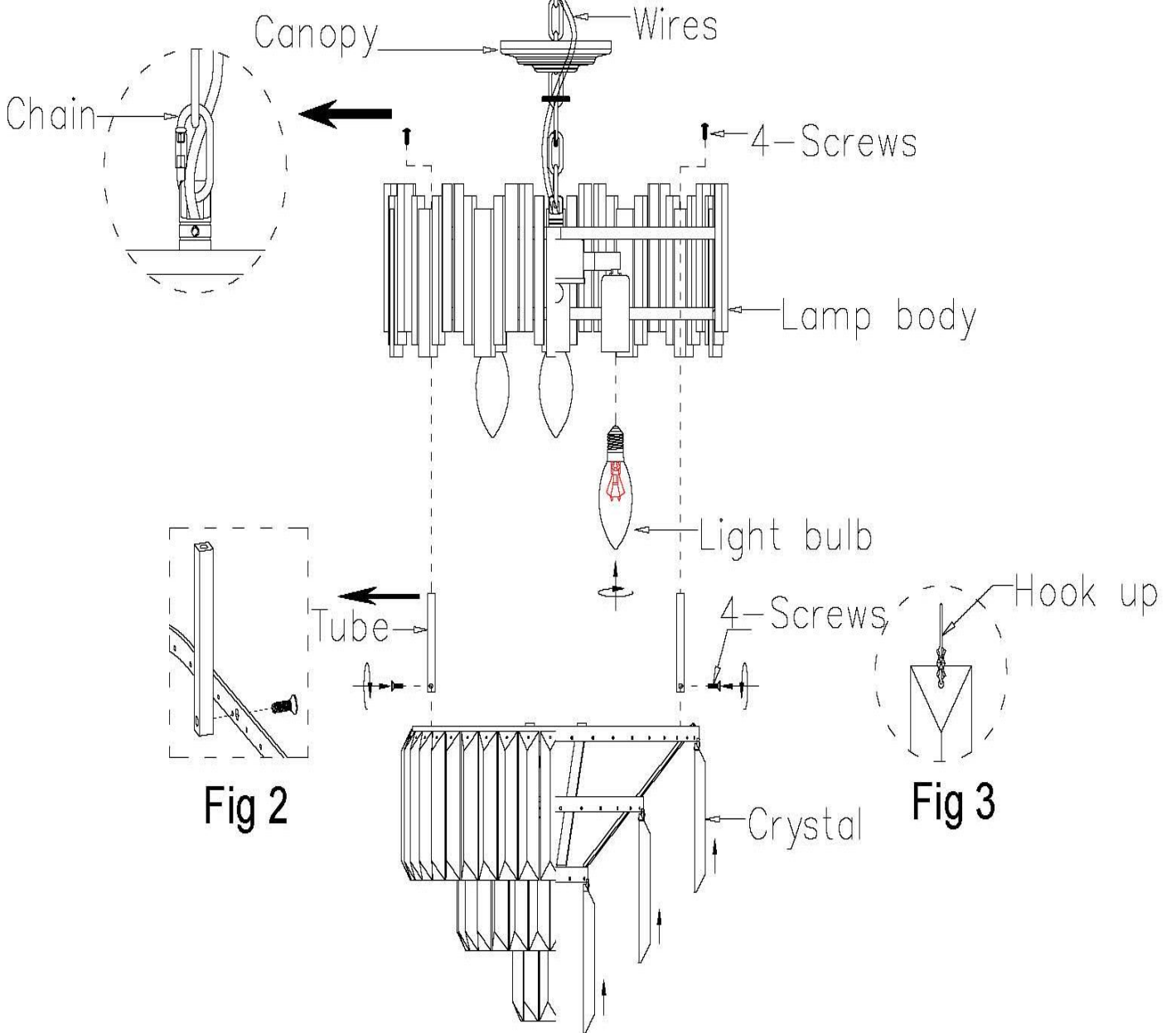
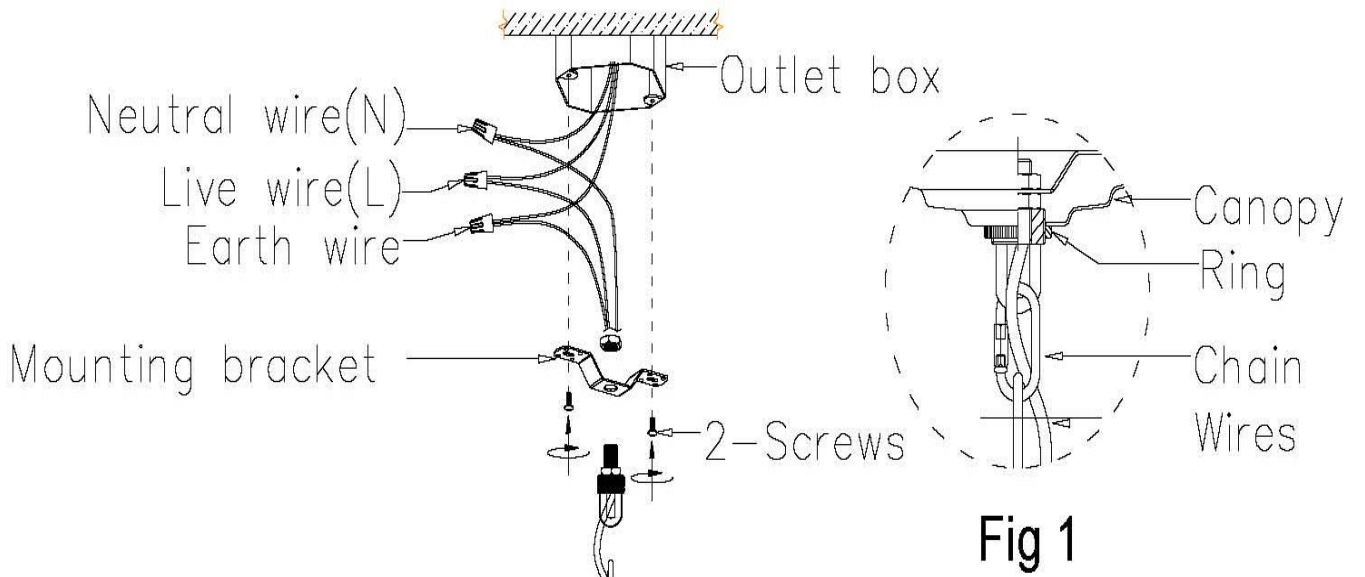
IF YOU HAVE ANY CONCERNS ABOUT THE PRODUCT, PLEASE FEEL FREE TO CONTACT US BEFORE YOU LEAVE A REVIEW.

CAUTION:

1. The installation requests a professional electrician to operate. Please make sure the installation environment ventilating and dry.
2. Wearing gloves during installation to prevent yourself from scratching by the fixtures. or electric wire. Be sure the power has been turned off before operation.
3. Make sure the fixture is away from corrosive chemicals and air such as acid and alkali. Clean the fixture by wiping it with a dry rag.
4. Do not touch the bulb when the fixture is turned on or look directly at the lit bulb. Keep flammable materials away from the lit bulb.
5. To reduce the risk of fire, electrical shock, and personal injury, always turn off and unplug the fixture and allow it to cool before replacing the light bulb.

STEP-BY-STEP INSTALLATION (Reference assembly drawing)

1. Shut off the power at the circuit breaker and remove the existing fixture, including the crossbar.
2. Carefully unpack your new fixture and lay out all the parts in a clear area, Be careful not to lose any small parts necessary for installation.
3. Secure bracket to the junction box using junction box screw.
4. Connect the wire (N) from the light fixture to the supply wire (N)
Connect the wire (L) from the light fixture to the supply wire (L)
5. After wires are connected, tuck them carefully inside the junction box.
6. Install the chains to the lamp body, and the canopy. (refer to fig 1) Connect the hanging chain to reach the height you want.
7. To finish the structure of the lamp body, it need to fix the metal tube on the metal ring with screws. (refer to Fig 2)
8. Add the **E12** bulbs, and turn on the power, check whether the light fixture works normally or not.
9. Ensure the light fixture work normally, Hang the crystal on the lamp body. (refer to Fig 3)



Package List:

Lamp body	1	PCS
Φ 280mm Metal ring	1	PCS
80mm Metal tube	4	PCS
Chain	1	PCS
Crystal	3	BAGS
Mounting bracket	1	PCS
Canopy	1	PCS
Accessories Bag	1	BAG
Installation Instructions	1	PCS

※**The package include extra crystal pieces.** Spare Accessory:

This product needs 62 crystals, and we have equipped 78 crystals in the product packaging. Therefore, when you find that the number of product crystal is less than 62, please contact us in time, we will be timely with you after-sale.

This product compatible with **E12** bulbs (Not included in the package).

