

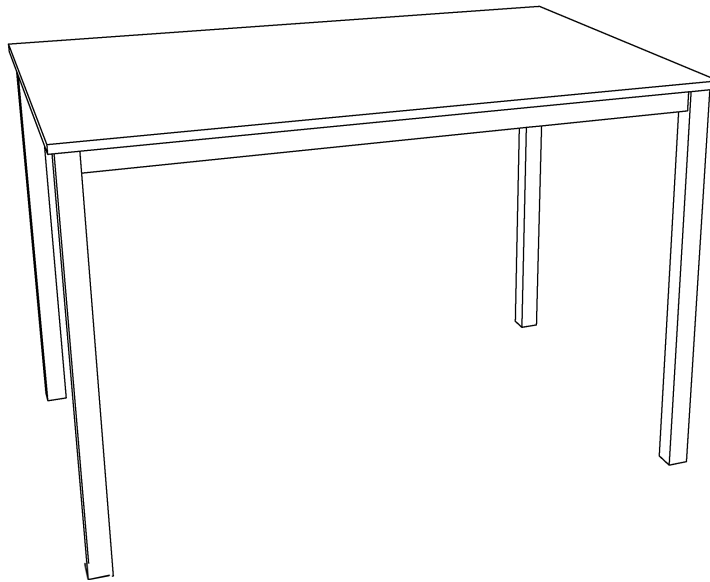
# ASSEMBLY INSTRUCTIONS

## IMPORTANTNOTE:

**\*\*PLACE ALL PARTS ON A CLEAN AND SMOOTH SURFACE SUCH AS A RUG OR CARPET TO AVOID THE PARTS FROM BEING SCRATCHED.**

**\*\*BEFORE YOU BEGIN,KINDLY FOLLOW THE ASSEMBLY INSTRUCTIONS STEP BY STEP.**

**\*\*DO NOT TIGHTEN THE SCREWS WHEN ASSEMBLING. AFTER ALL ARE INSTALLED,TIGHTEN THE SCREWS TOGETHER.**

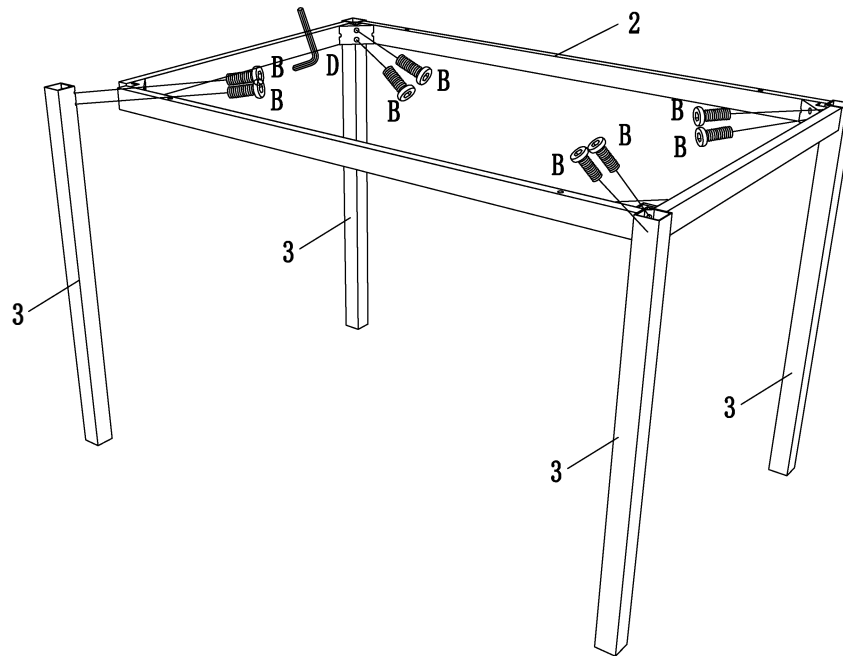


### CARTONSONLYONE/CARTONSSEULEMENTUN

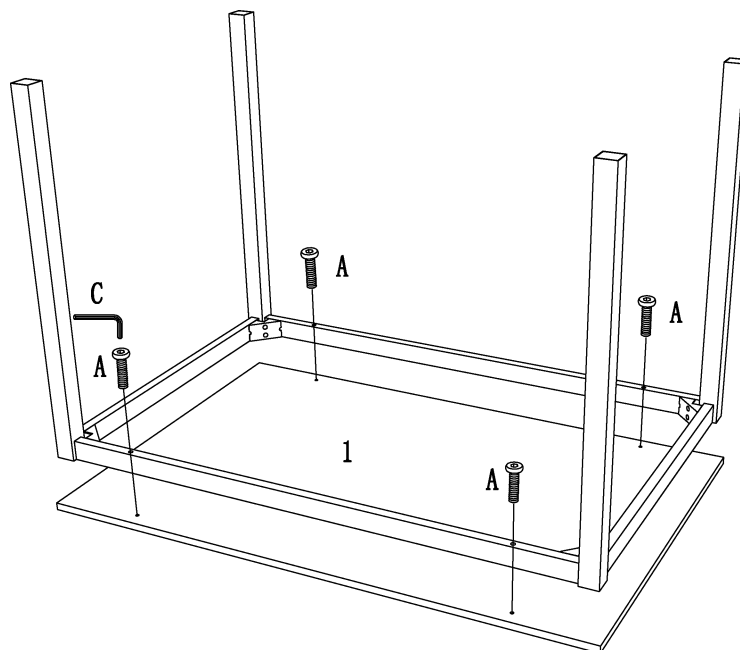
PART LISTS				HARDWARE LISTS			
NO.	DESCRIPTION	SKETCH	Q'TY	NO.	DESCRIPTION	SKETCH	Q'TY
1	TABLE TOP		1PC	A	BOLT 4/16"x50 mmL		4PCS
2	TABLE FRAME		1PC	B	BOLT 5/16"x50 mmL		8PCS
3	LEGS		4PCS	C	ALLEN KEY M4		1PC
				D	ALLEN KEY M5		1PC

# ASSEMBLY INSTRUCTIONS

STEP1:



STEP2:



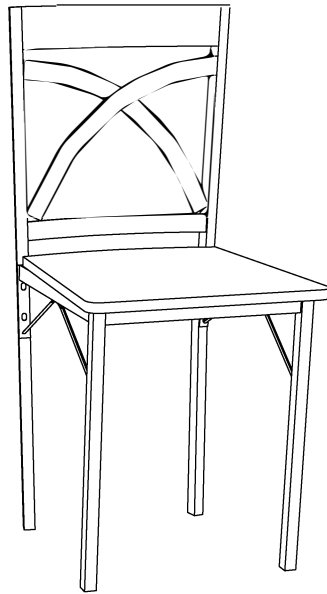
# ASSEMBLY INSTRUCTIONS

## IMPORTANTNOTE:

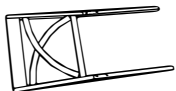


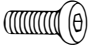
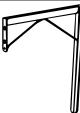

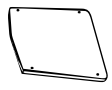


**\*\*PLACE ALL PARTS ON A CLEAN AND SMOOTH SURFACE SUCH AS A RUG OR CARPET TO AVOID THE PARTS FROM BEING SCRATCHED.**

**\*\*BEFORE YOU BEGIN,KINDLY FOLLOW THE ASSEMBLY INSTRUCTIONS STEP BY STEP.**

**\*\*DO NOT TIGHTEN THE SCREWS WHEN ASSEMBLING. AFTER ALL ARE INSTALLED,TIGHTEN THE SCREWS TOGETHER.**

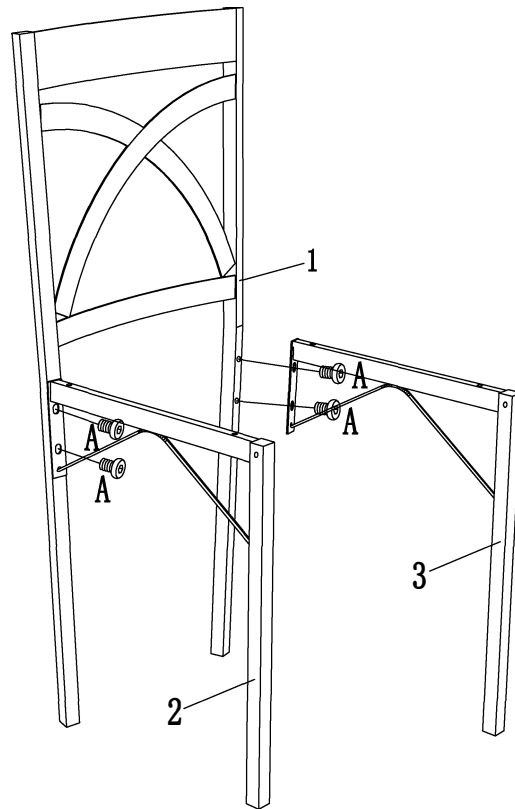


### CARTONSONLYONE/CARTONSSEULEMENTUN

PART LISTS				HARDWARE LISTS			
NO.	DESCRIPTION	SKETCH	Q'TY	NO.	DESCRIPTION	SKETCH	Q'TY
1	CHAIR BACK		4PCS	A	BOLT 4/16"x15 mmL		16PCS
2	LEFT LEG		4PCS	B	BOLT 4/16"x40 mmL		16PCS
3	RIGHT LEG		4PCS	C	BOLT 4/16"x45 mmL		8PCS
4	SEAT		4PCS	D	ALLEN KEY		1PC
5	JOINT LEVER		4PCS				

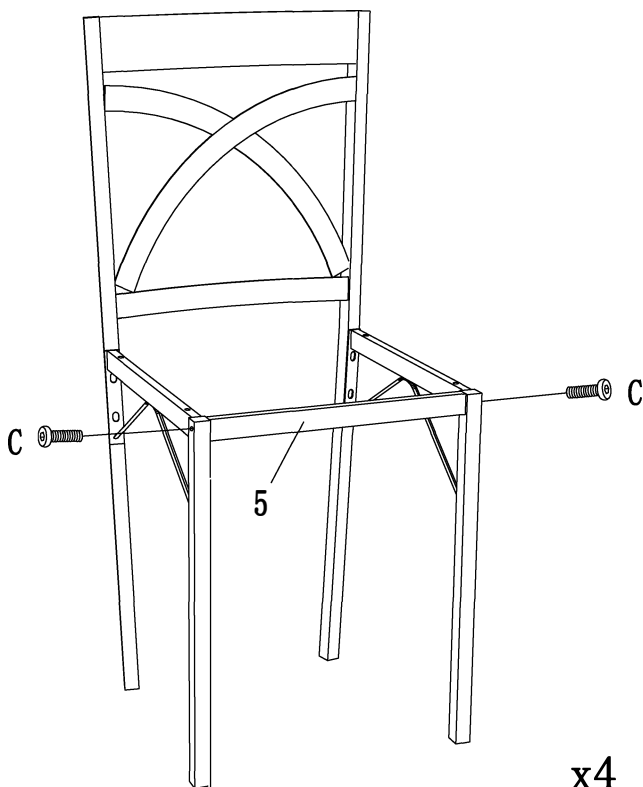
# ASSEMBLY INSTRUCTIONS

## STEP1:



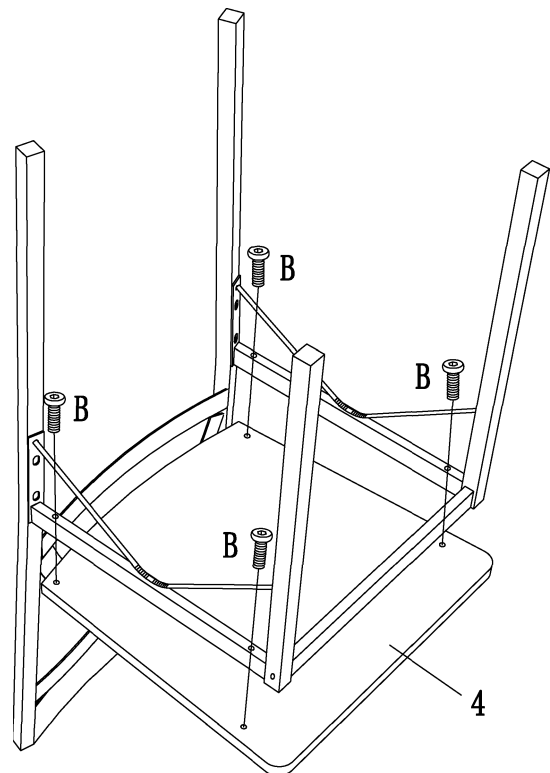
x4

## STEP2:



x4

## STEP3:



x4