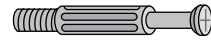


# INSTALLATION INSTRUCTIONS

## PARTS LIST

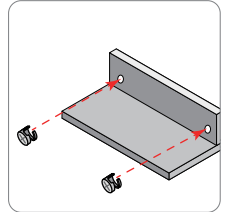
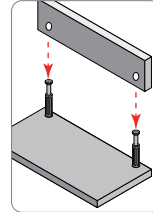
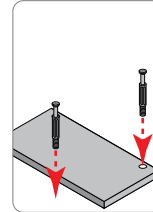


Three-in-one screw

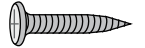


Eccentric cam

(The 3-in-1 connector consists of two parts)



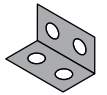
Two-in-one screw



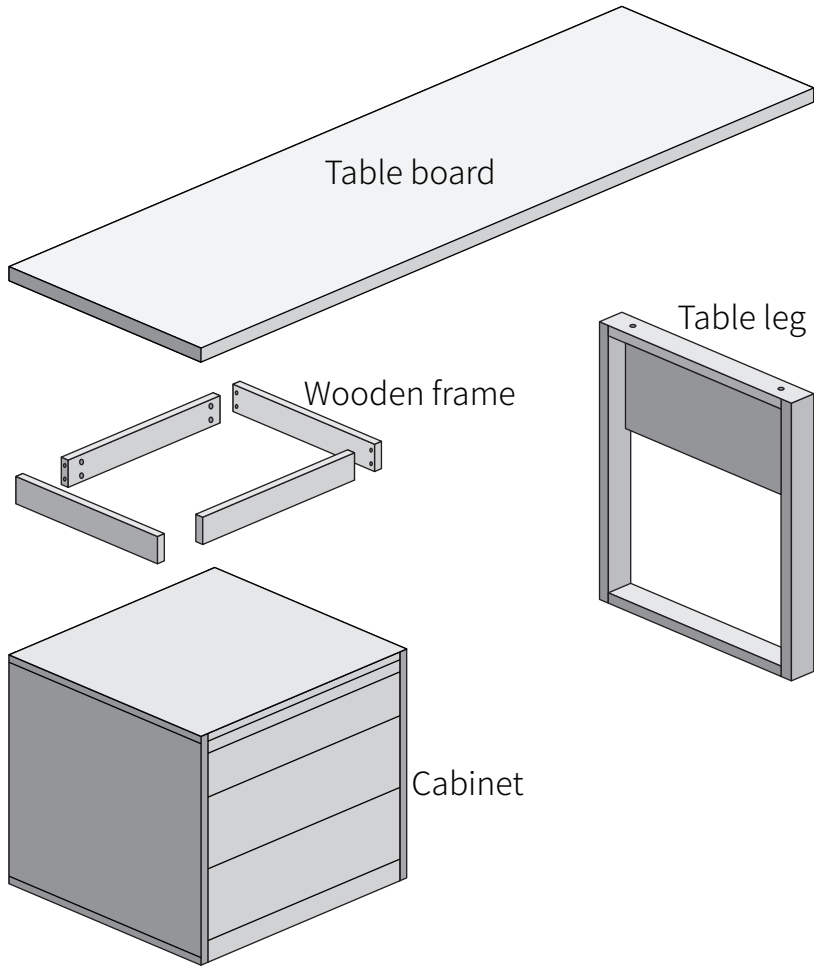
Tapping screw



Anti-slip nail

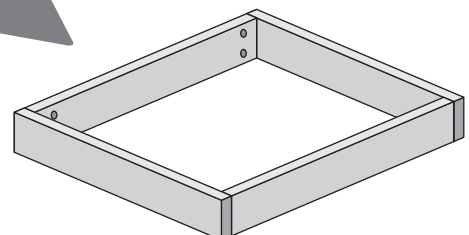
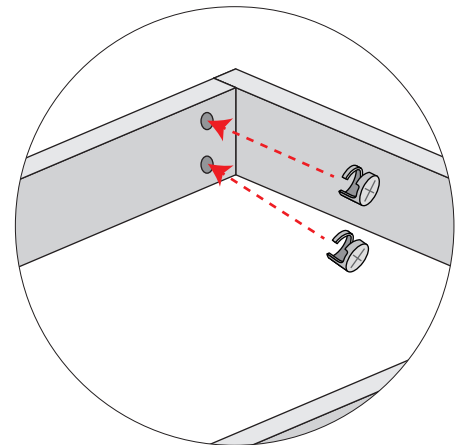
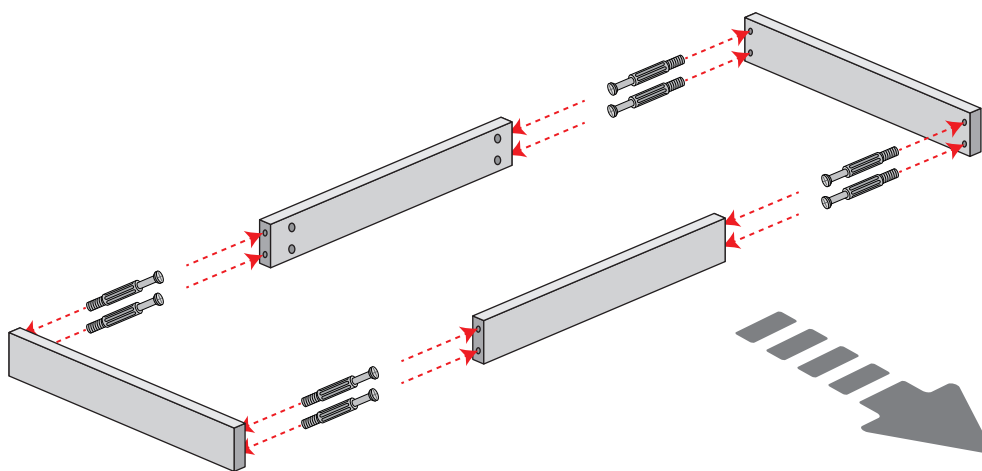


Right-angle connector



## STEP 1

Assemble the wooden frame using three-in-one screws and fix it with Eccentric Cam.

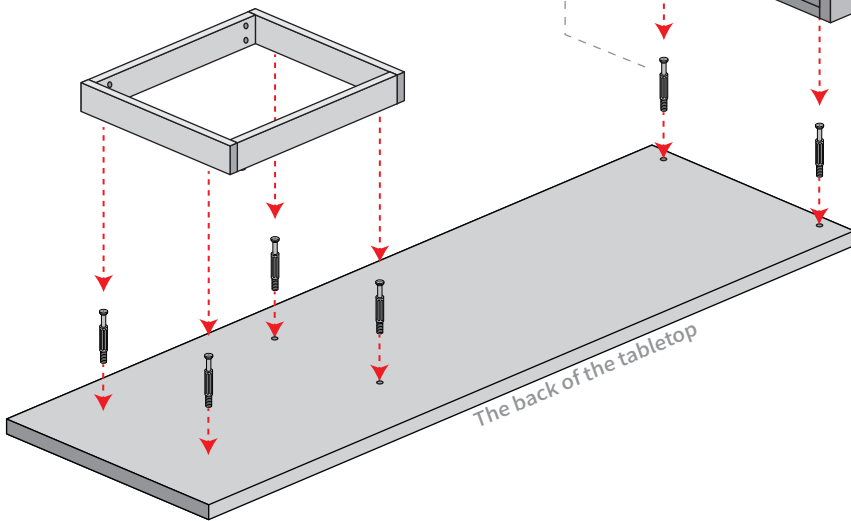


### STEP 3

Install the two-in-one screws onto the back of the tabletop, and then attach the table legs.

### STEP 2

Install the frame onto the back of the tabletop using three-in-one screws.

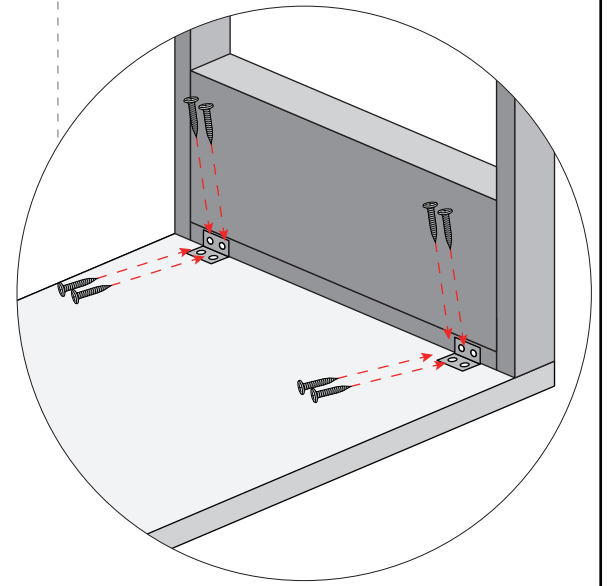


### STEP 5

Install anti-slip pads at the bottom of the table legs

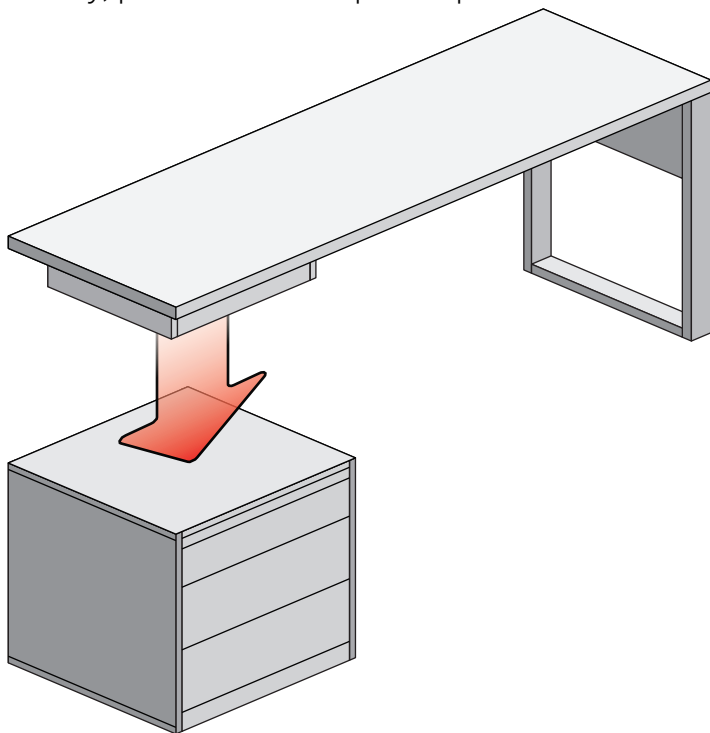
### STEP 4

Install the right-angle connector between the table leg and the tabletop, and secure it with self-tapping screws.



### STEP 6

Finally, place the desktop on top of the cabinet.



Installation completed

