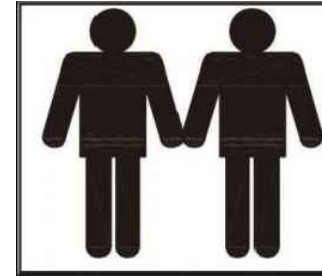
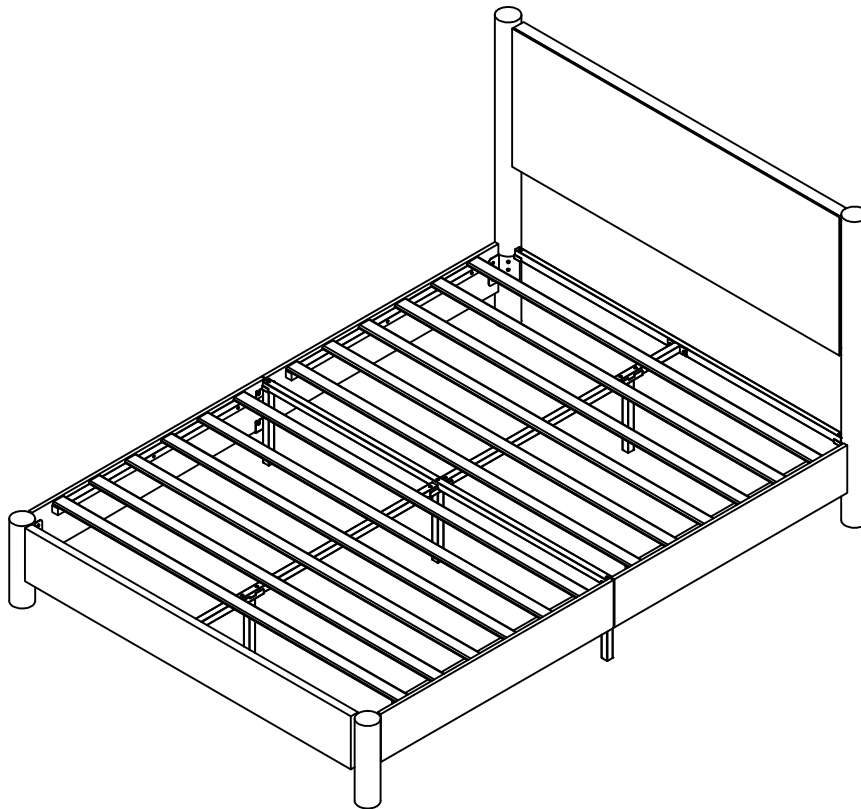


# Assembly Instruction

Note:

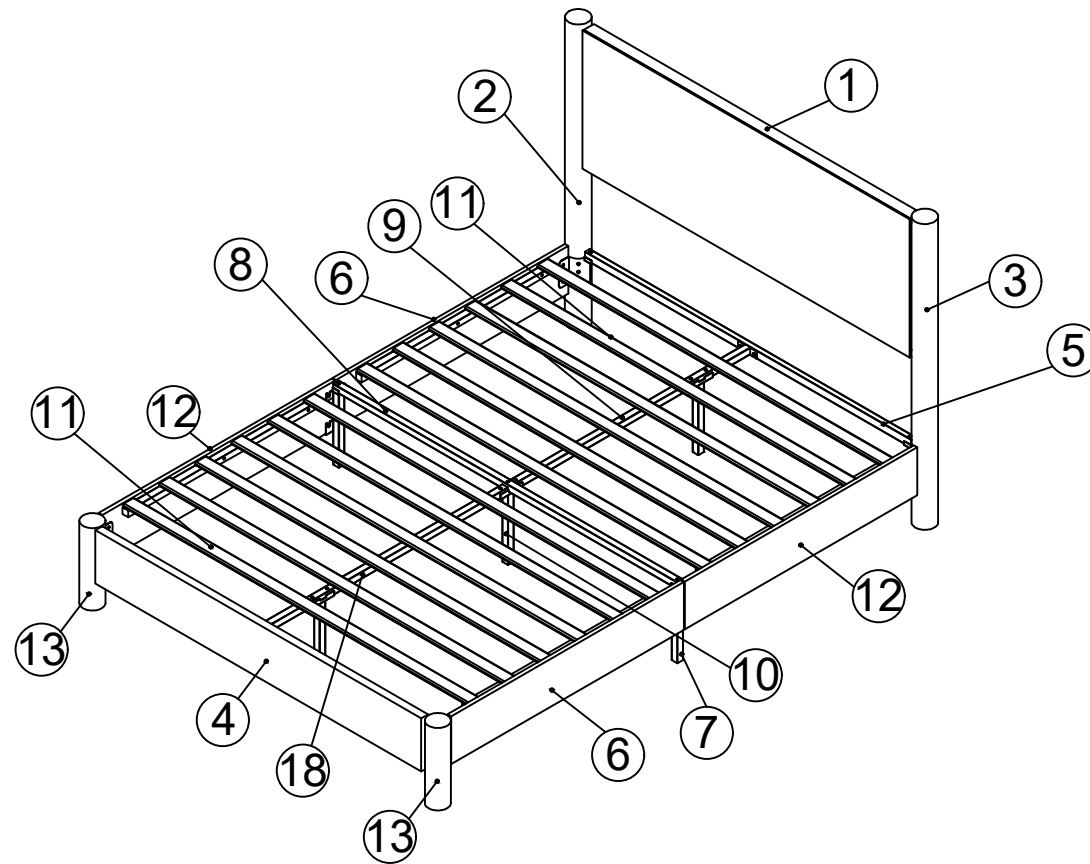
1. Should be assembled on flat ground to keep balance.
2. Before completing the installation, do not tighten the screws.







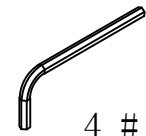
It needs at least two people to install.



Before starting the assembly, you must read the whole manual and follow the instructions.

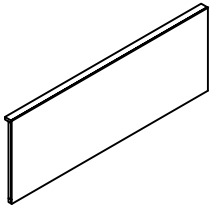
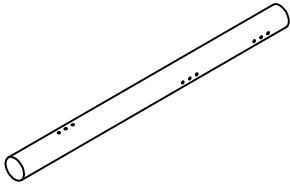
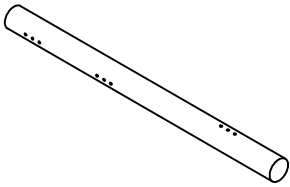
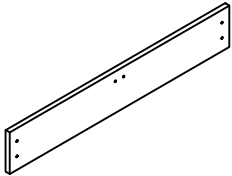
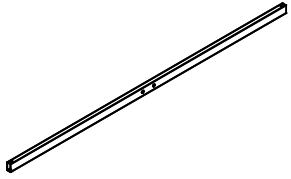
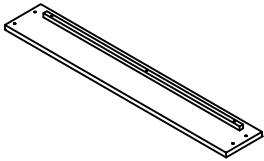

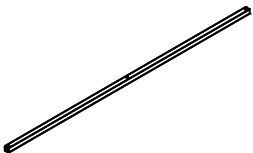
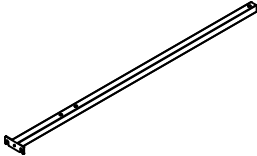
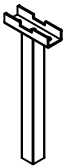
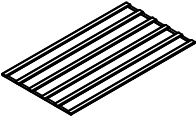
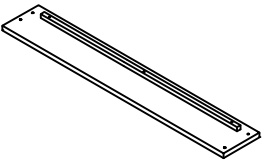
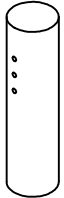
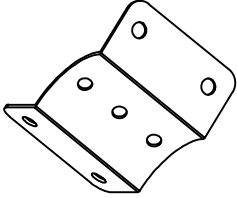
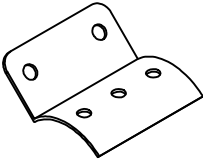
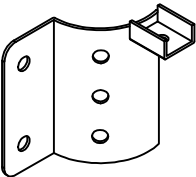
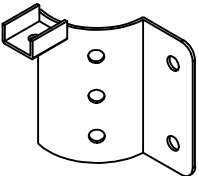
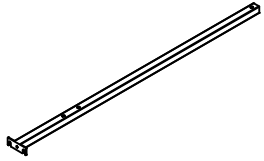


### Hardware arts



 (A) M6x40 2pcs	 (B) M8x18 32pcs	 (C) M8x35 32pcs	 (D) M8x45 1pcs	 (E) 4 # 1pc		<p>Page 2/10</p>
--	---	---	--	---	--	------------------

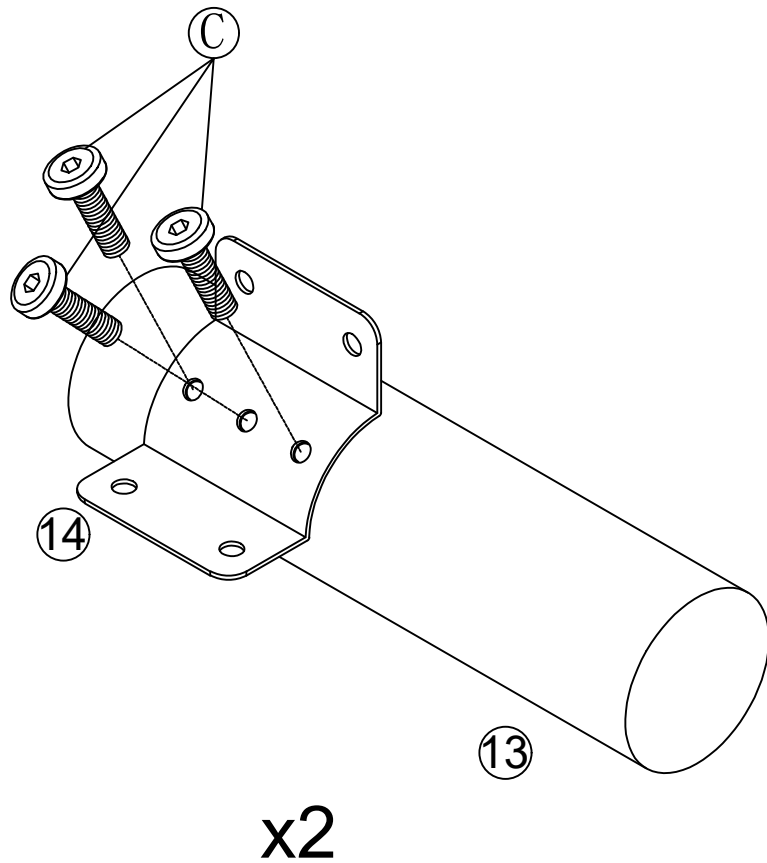
# Assembly Instruction



## Part list

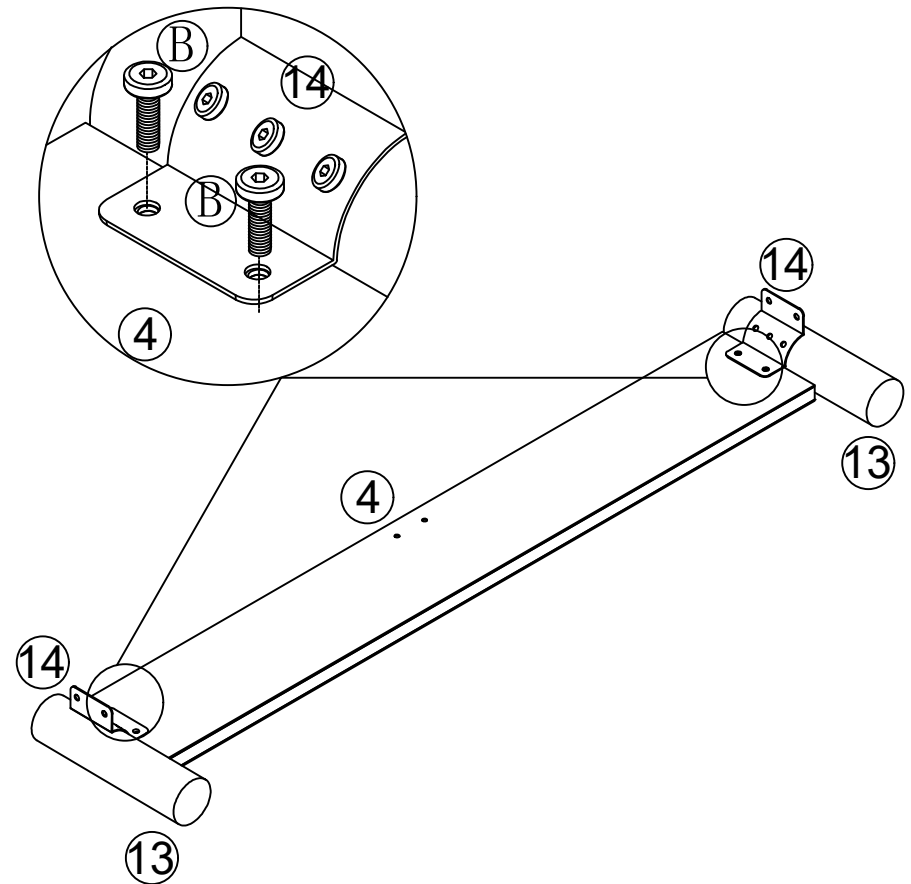
 ① 1 PC	 ② 1 PC	 ③ 1 PC	 ④ 1 PC	 ⑤ 1 PC	 ⑥ 2 PCS
 ⑦ 2 PCS	 ⑧ 1 PC	 ⑨ 1 PC	 ⑩ 3 PCS	 ⑪ 2 PCS	 ⑫ 2 PCS
 ⑬ 2 PCS	 ⑭ 2 PCS	 ⑮ 4 PCS	 ⑯ 1 PC	 ⑰ 1 PC	 ⑱ 1 PC

# Assembly Instruction



C	 M8x35	6pcs
E		1pc

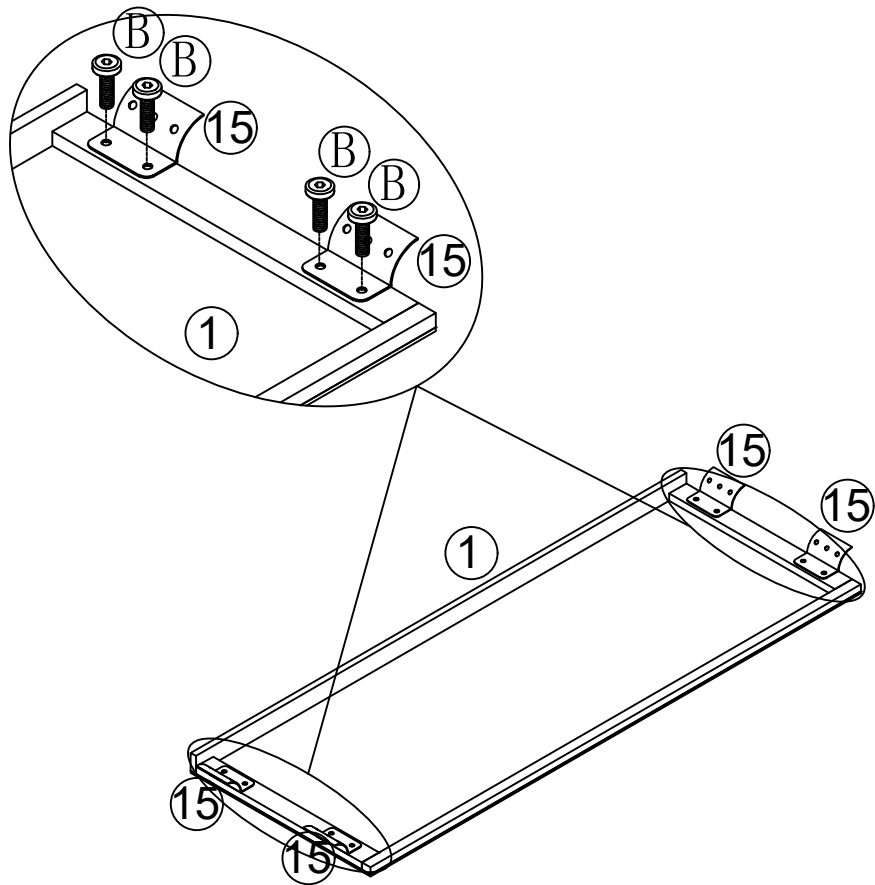




B	 M8x18	4pcs
E		1pc

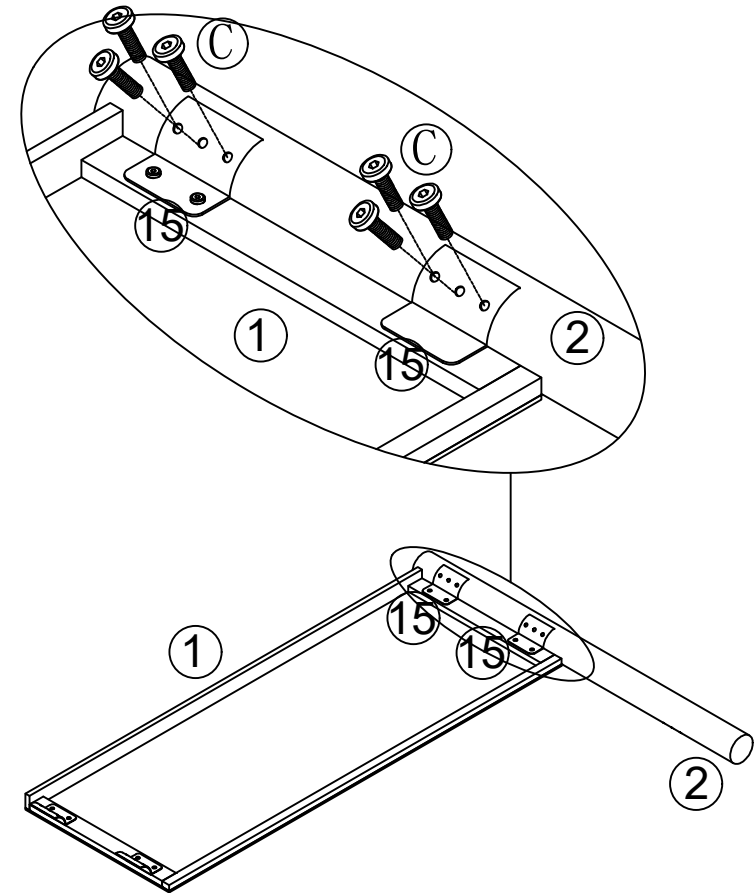


# Assembly Instruction



B	 M8x18	8pcs
E		1pc

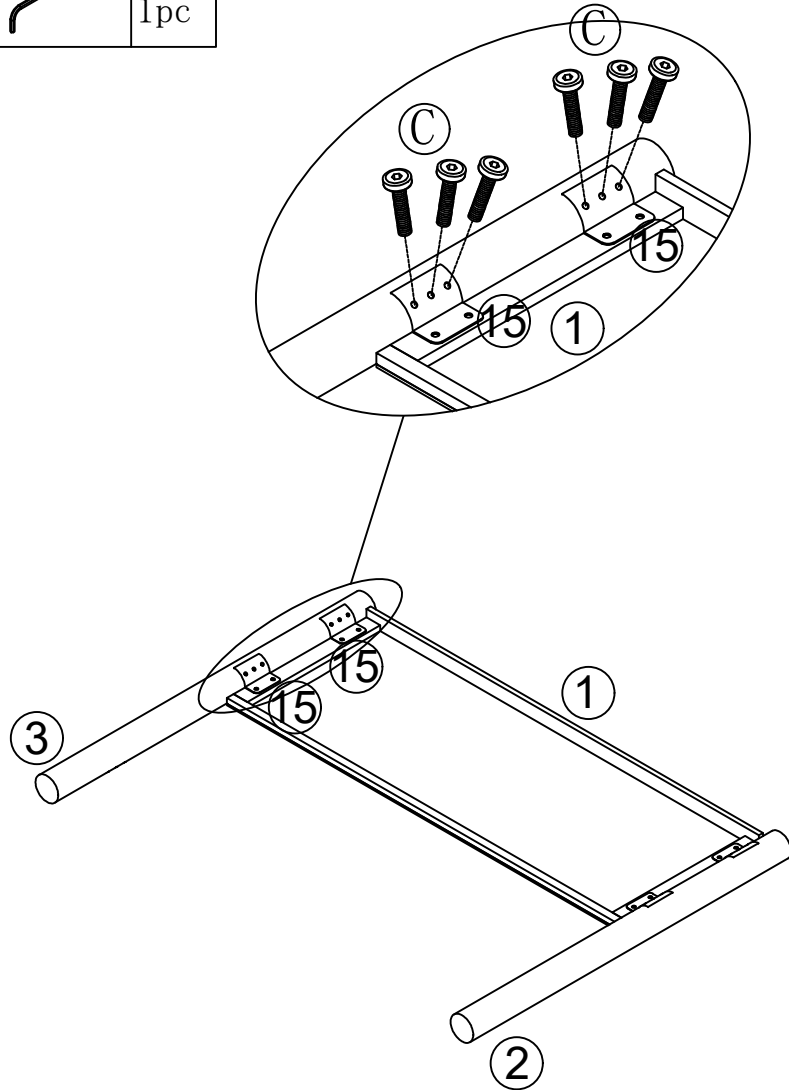




C	 M8x35	6pcs
E		1pc

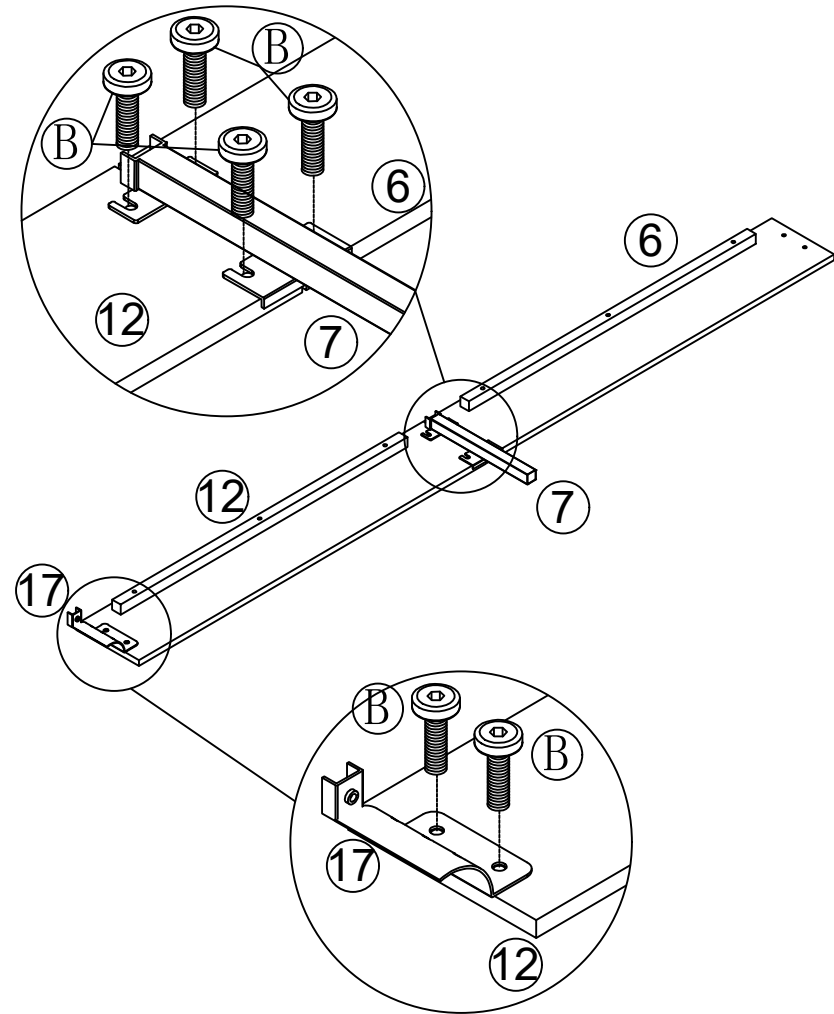


# Assembly Instruction



C	 M8x35	6pcs
E		1pc

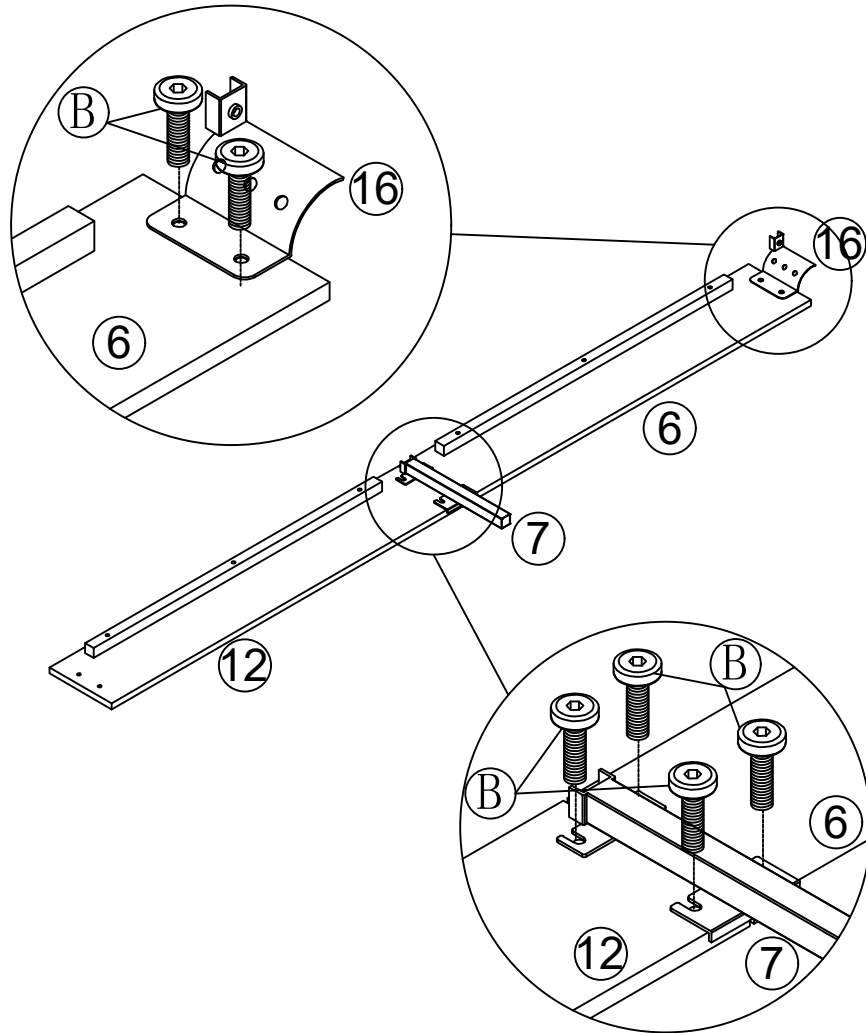




B	 M8x18	6pcs
E		1pc

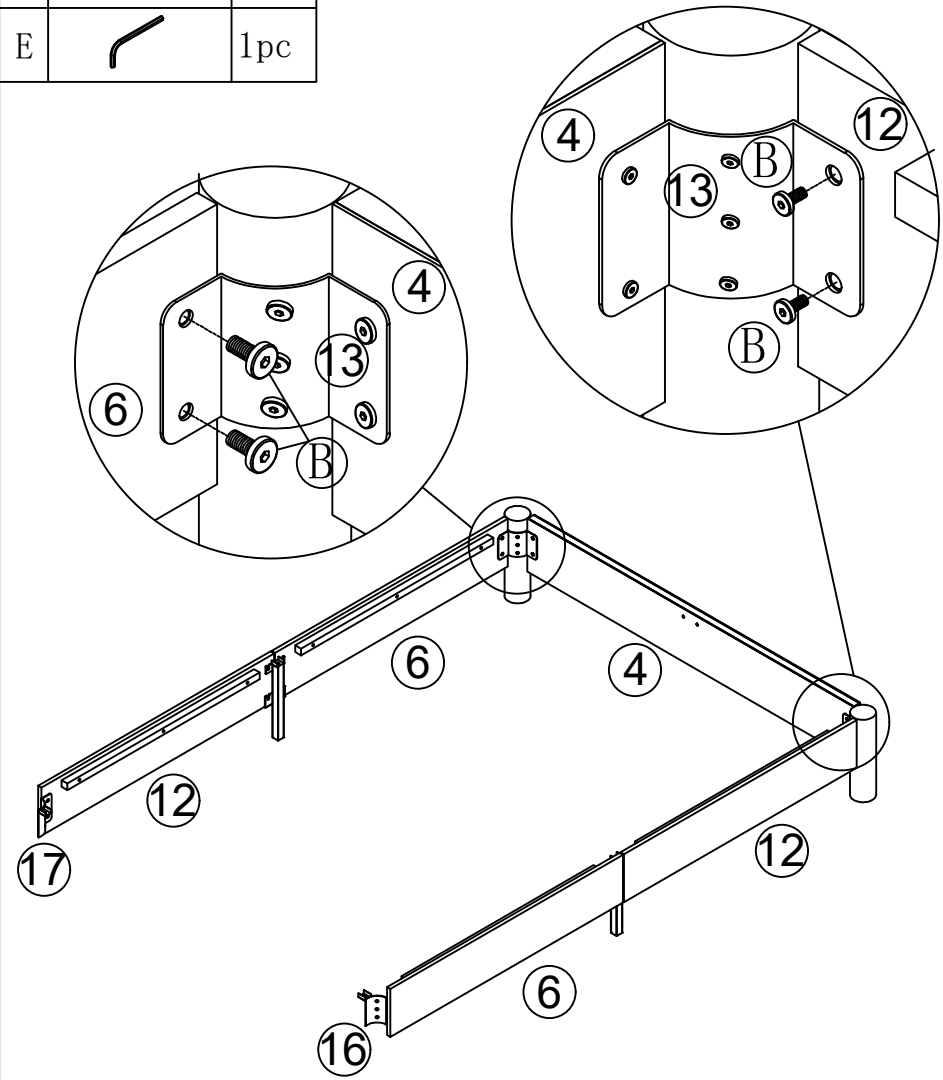


# Assembly Instruction



B	 M8x18	6pcs
E		1pc

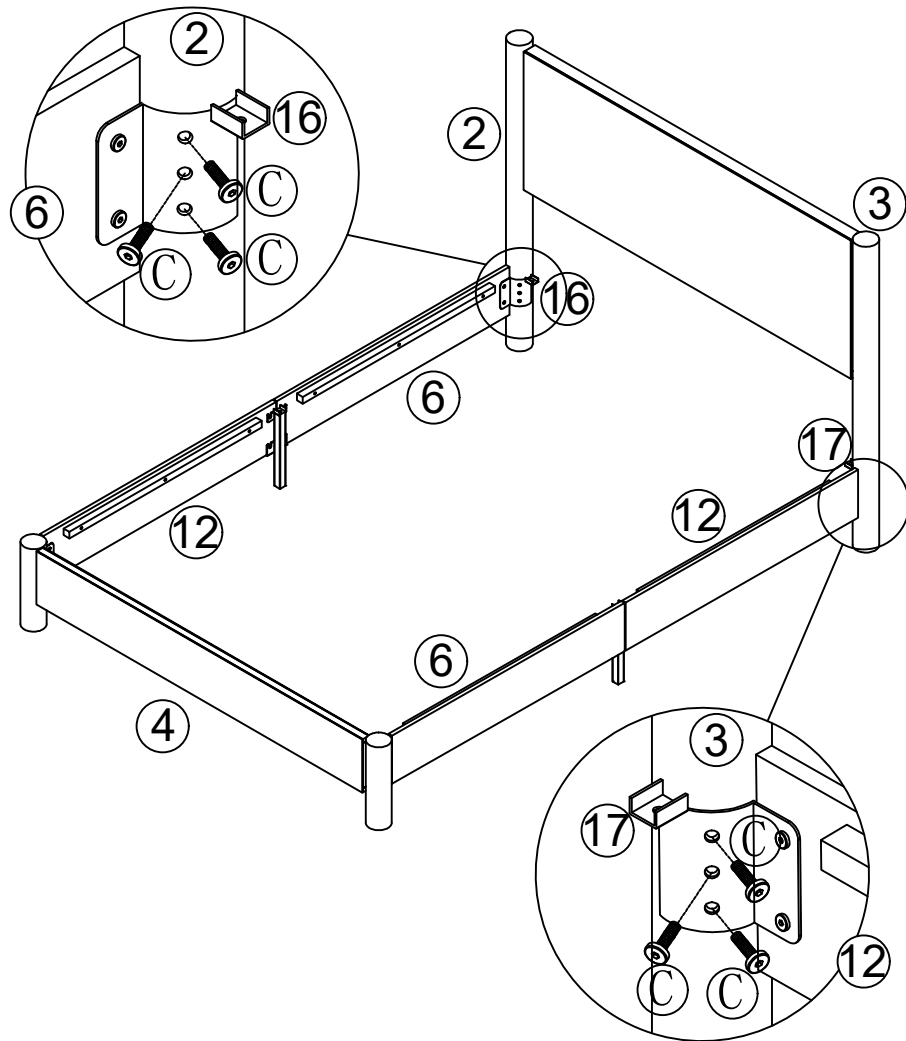




B	 M8x18	4pcs
E		1pc

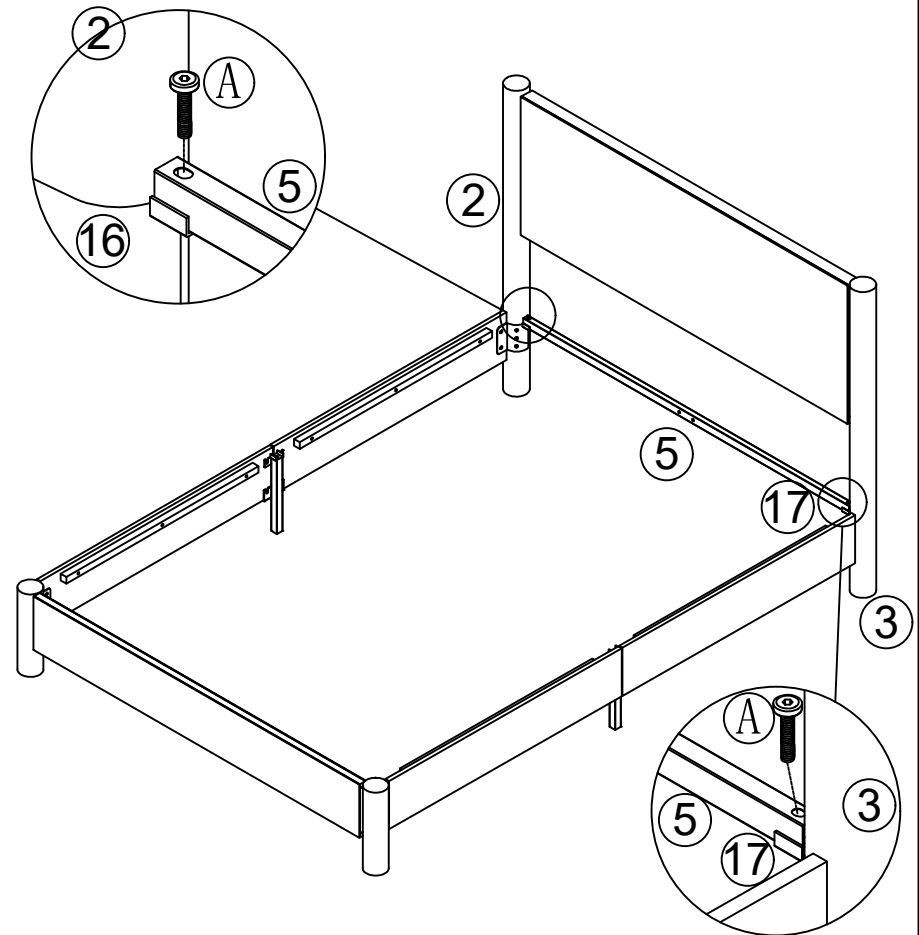


# Assembly Instruction




C	 M8x35	6pcs
E		1pc





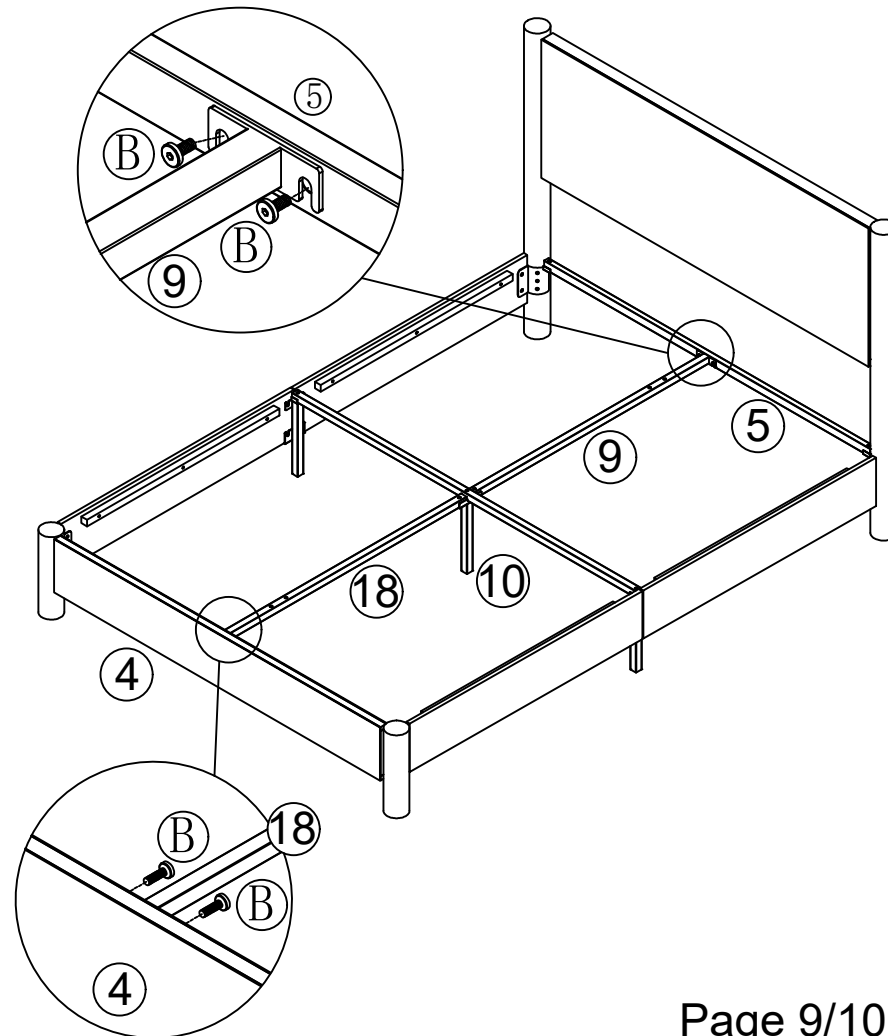
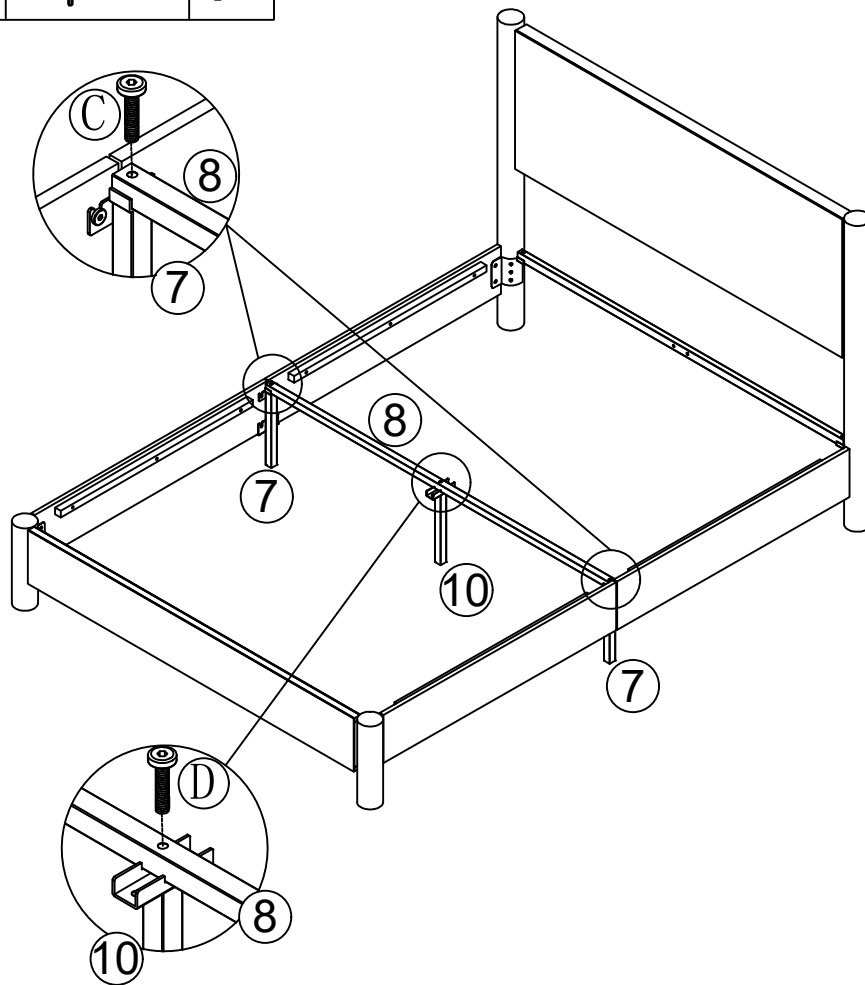
A	 M6x40	2pcs
E		1pc





# Assembly Instruction

C	 M8x35	2pcs
D	 M8x45	1pc
E		1pc

B	 M8x18	4pcs
E		1pc



# Assembly Instruction

C	 M8x35	6pcs
E		1pc

