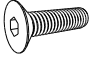
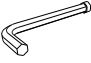
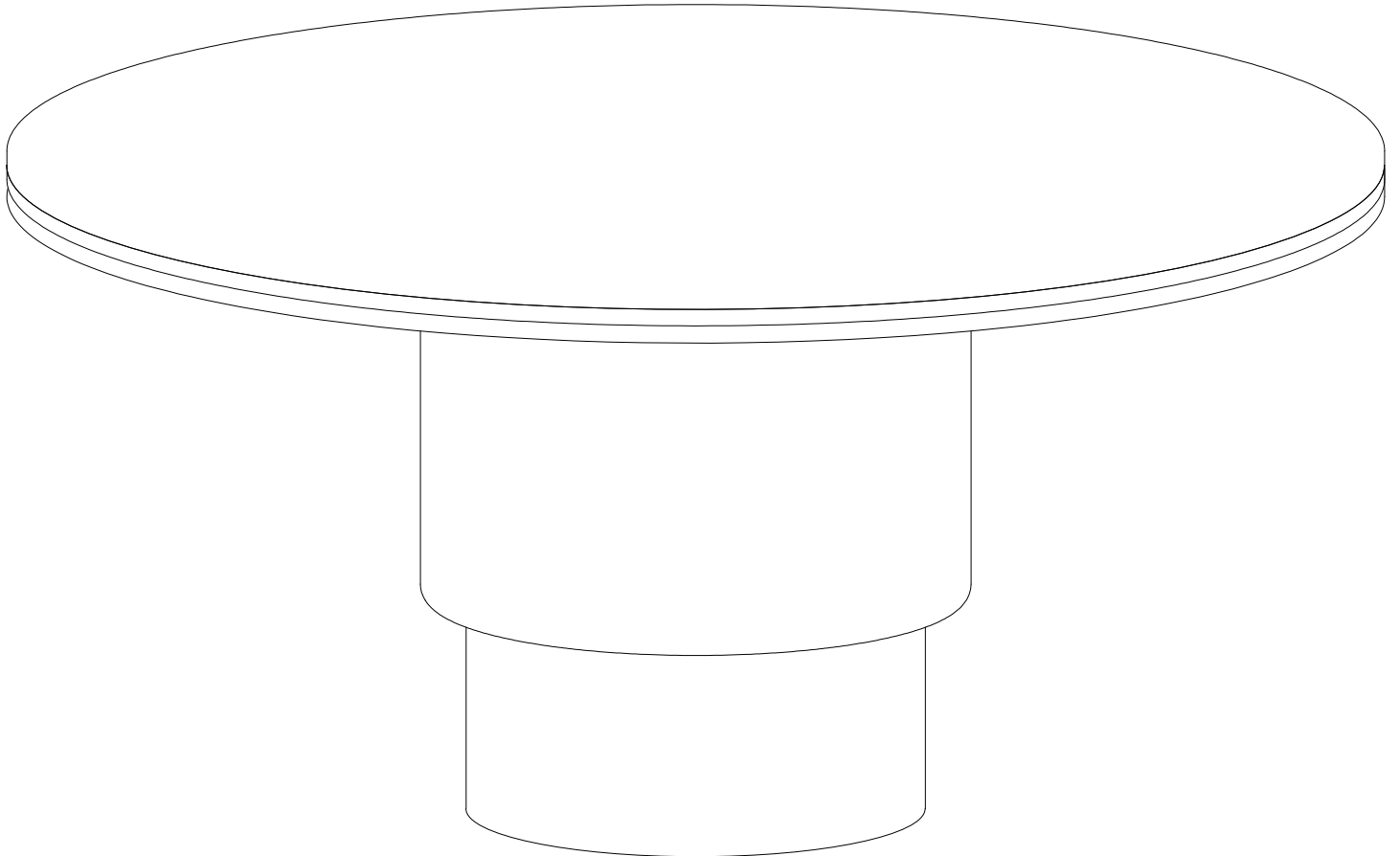


Hardware and Component list

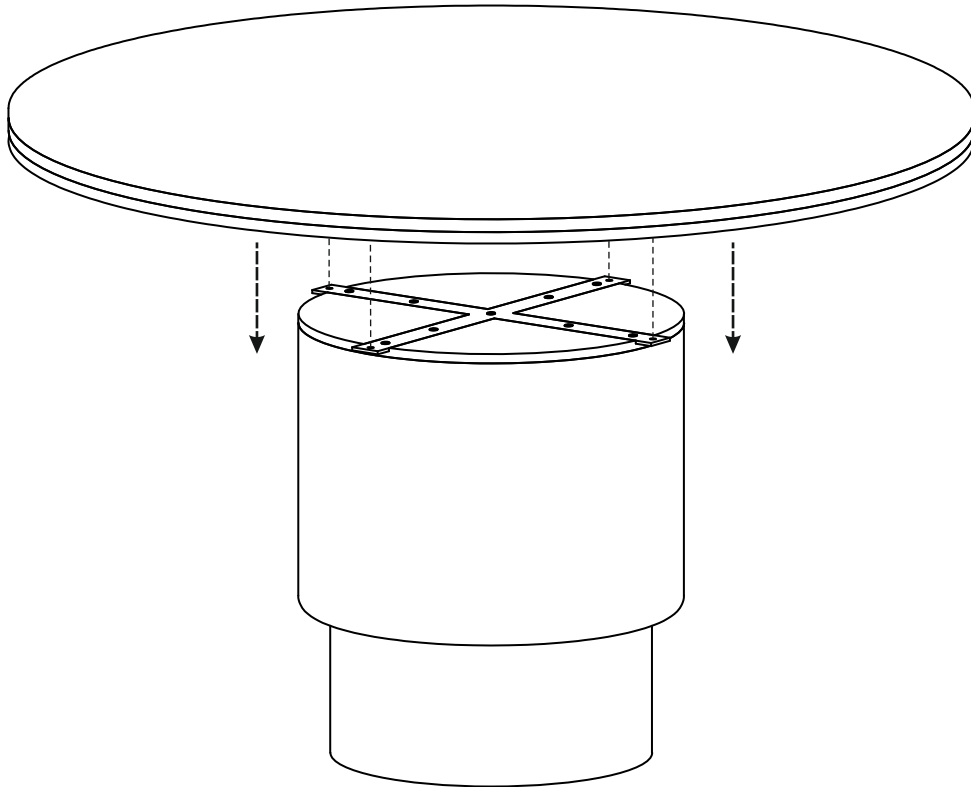
Assembly Instruction

Product Description: Mariah Round Dining Table

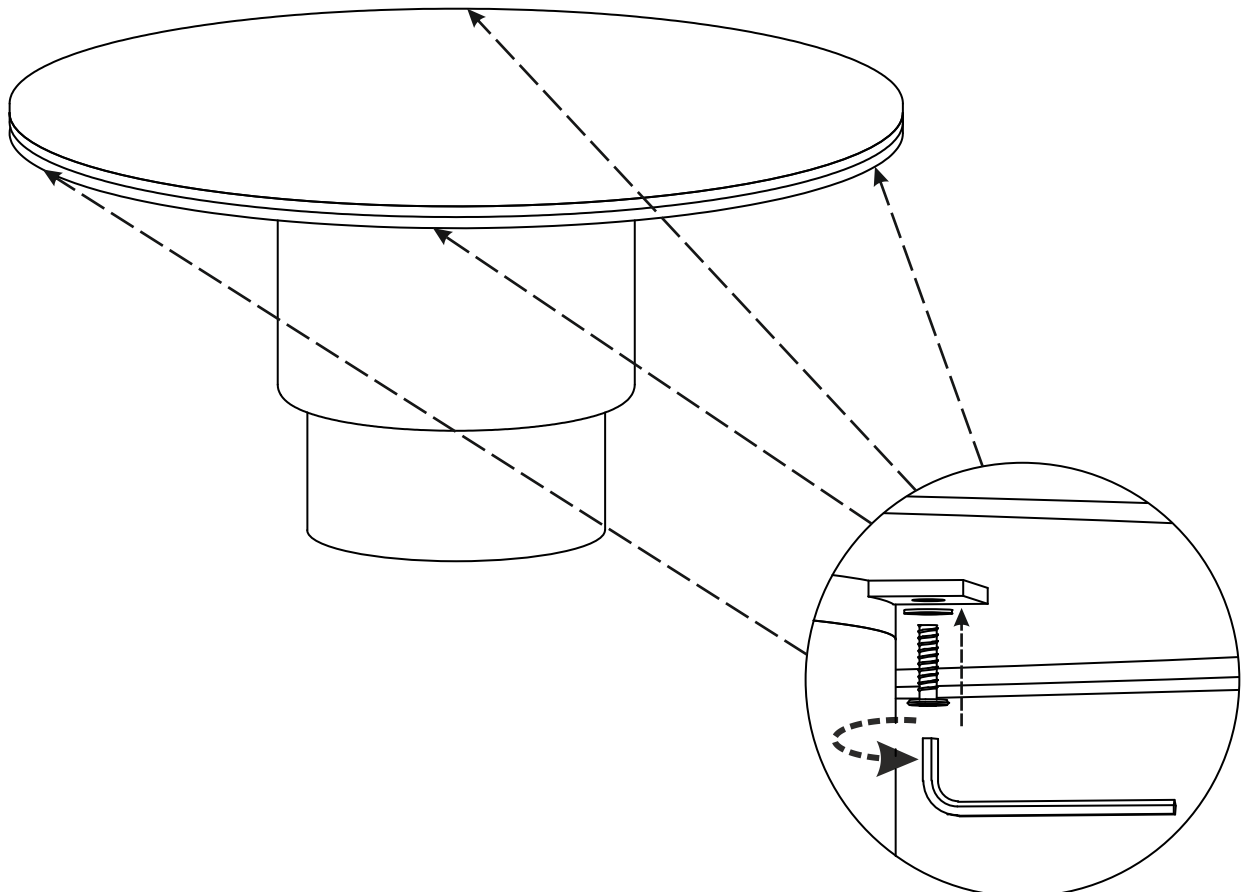
No.	Hardware List		Qty
1		Allen Bolt	04
2		Allenkey	01



1



2



Level Adjustment -

In case the Table is not aligned, use levelers to adjust the balance of the item.

