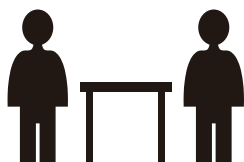
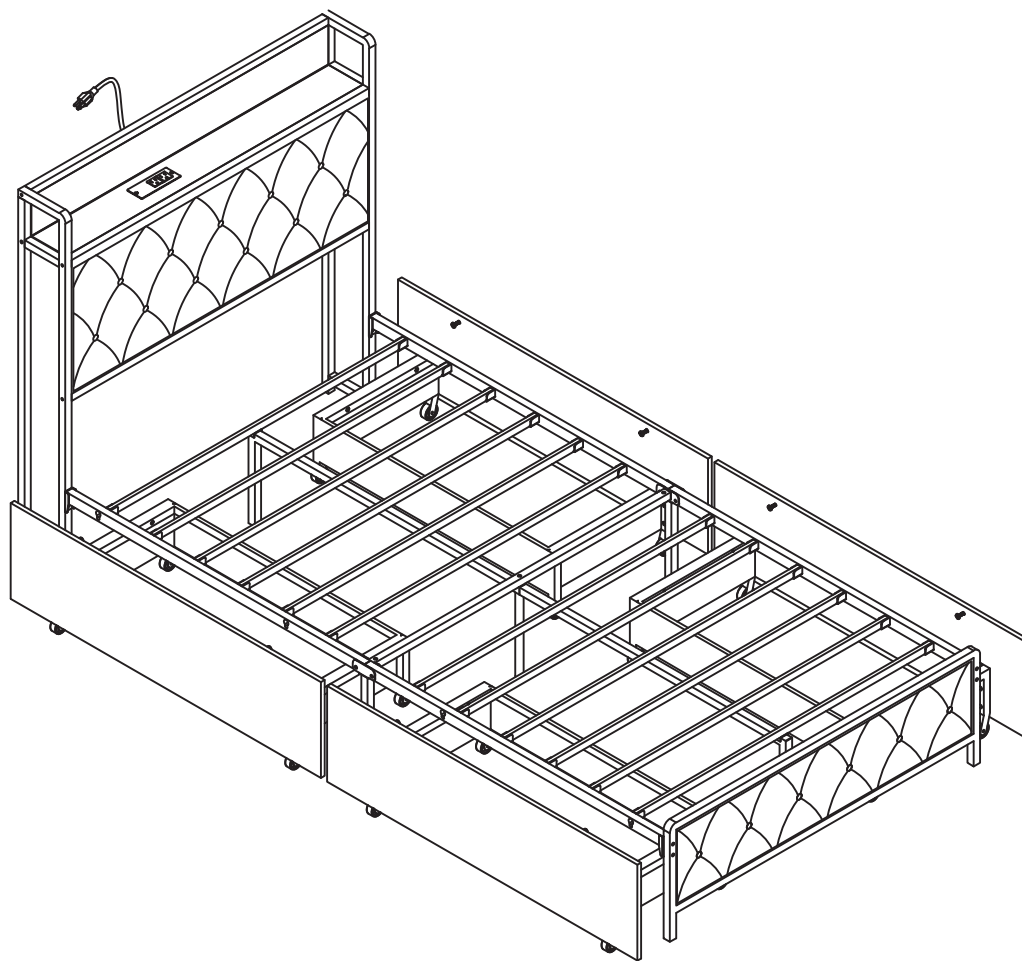


# ASSEMBLY INSTRUCTION

## Bed Frames



**Suggestion:** To make the installation process easier and faster, we recommend that two people work together to install the Bed Frames.

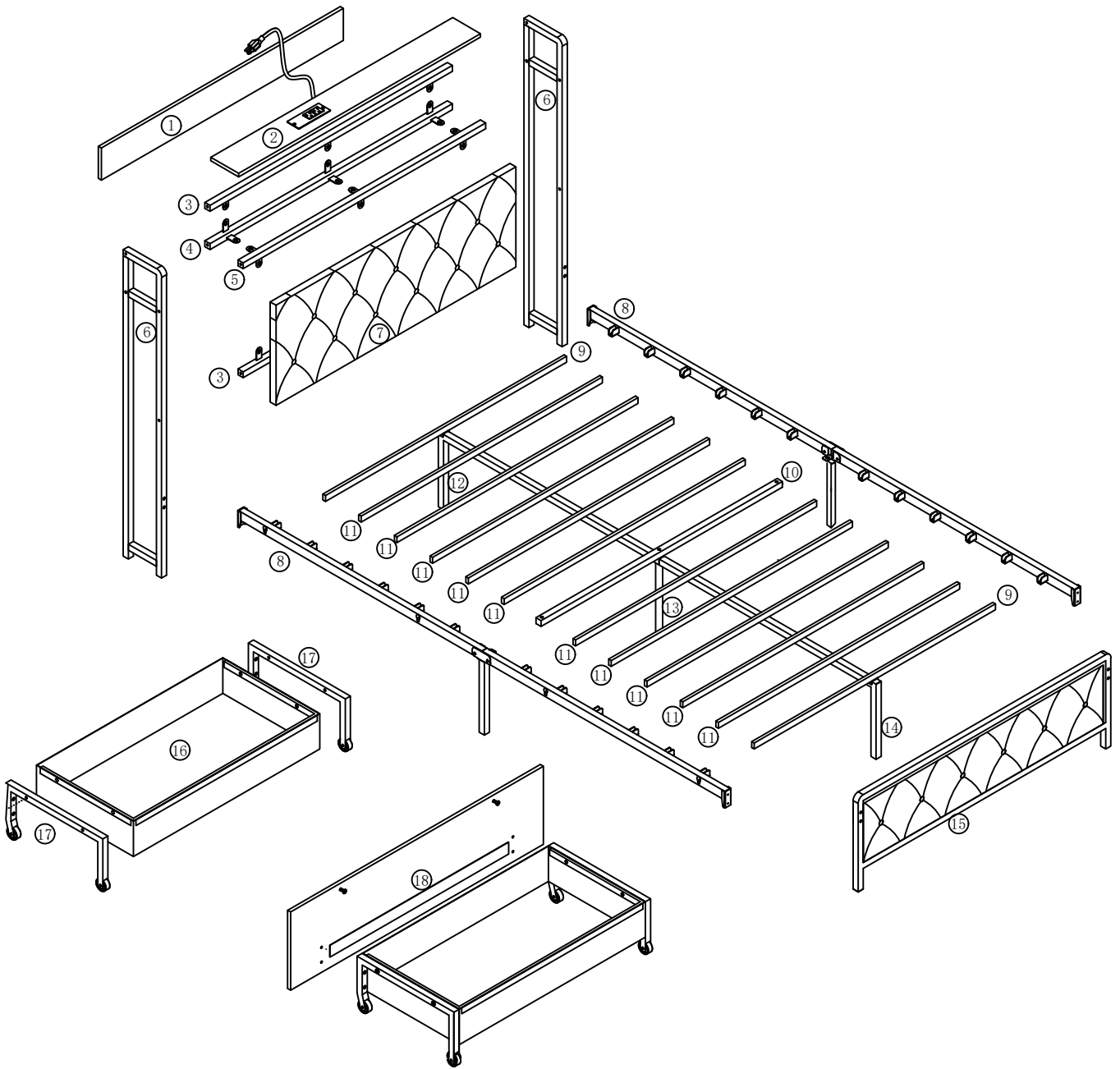


## Helpful Hints

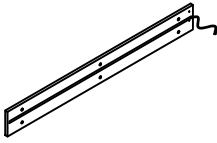
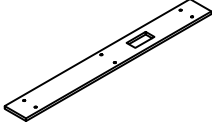
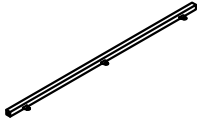
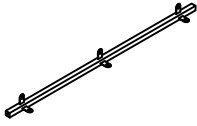
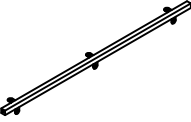
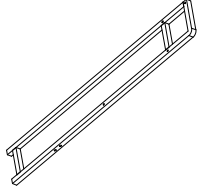
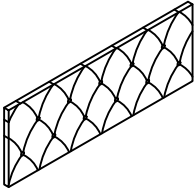
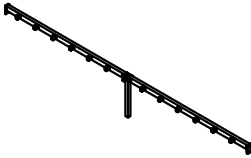

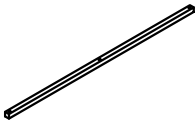



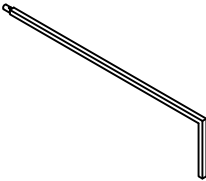
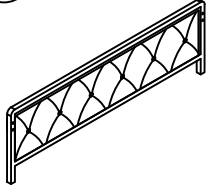
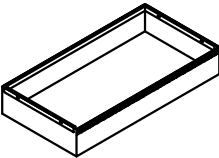
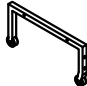
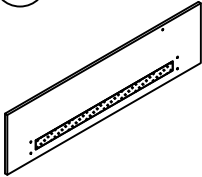
1. We recommend two people to assemble the product easier and faster.
2. Please DO NOT tighten the screws deeply during assembling avoiding that metal frame can be bent and plank will crack.
3. We recommend that all screws should not be tightened over during assembling to make it easy to adjust. When it is adjusted to proper station all screws should be tightened.
4. Caution: If using a power drill or power screwdriver for screwing, please be aware of to slow down and stop when screw is tight. Failure to do so may result in stripping the screw.

## Customer Service

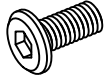
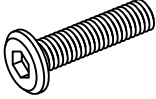
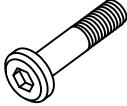
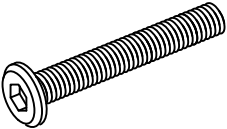
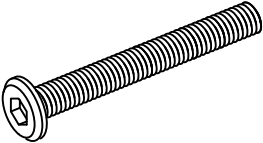
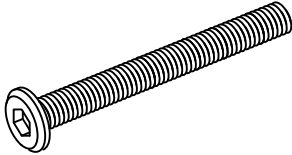
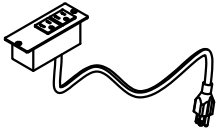


As this item contains many parts, please read the installation instruction carefully before installation and complete the installation with the cooperation of your partner. Please use tools properly and carefully. If you have any questions about the product and installation, please contact us freely.




# PARTS LIST-1

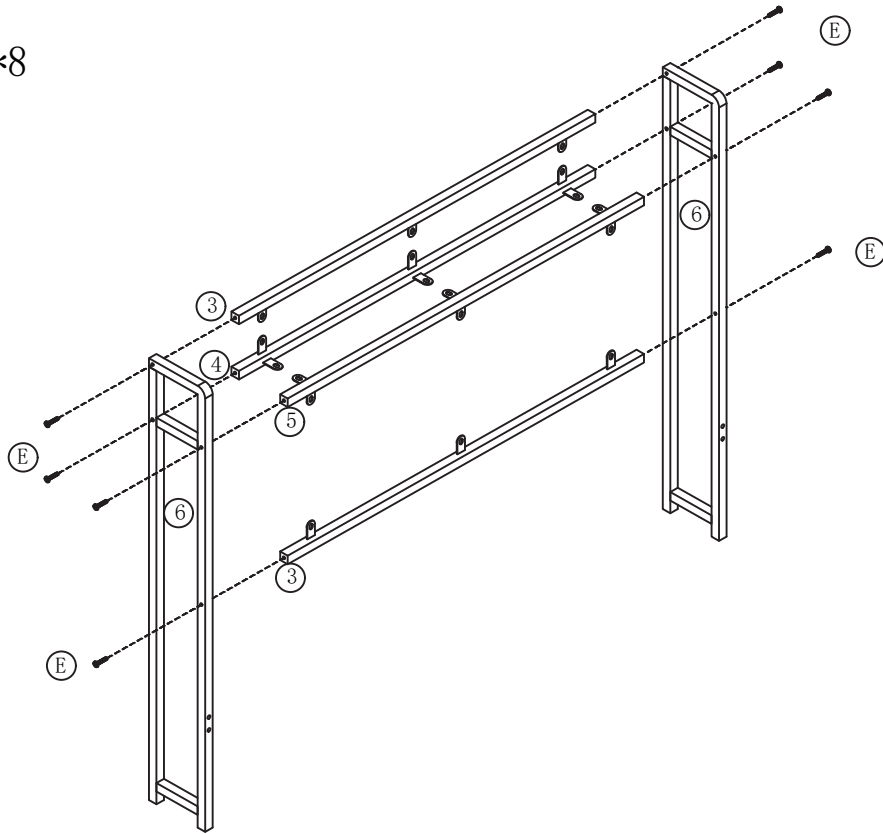
①*1 	②*1 	③*2 
④*1 	⑤*1 	⑥*2 
⑦*1 	⑧*2 	⑨*2 
⑩*1 	⑪*10 	⑫*1 
⑬*1 	⑭*1 	⑮*1 
⑯*4 	⑰*8 	⑱*4 

# PARTS LIST-2


<p>Ⓐ *13</p>  <p>M6*12mm</p>	<p>Ⓑ *7</p>  <p>M6*15mm</p>	<p>Ⓒ *9</p>  <p>M6*20mm</p>
<p>Ⓓ *43</p>  <p>M6*30mm</p>	<p>Ⓔ *9</p>  <p>M6*35mm</p>	<p>Ⓕ *1</p>  <p>M6*55mm</p>
<p>Ⓖ *1</p>  <p>Power Box</p>	<p>Ⓗ *3</p>  <p>M4*12mm</p>	<p>Ⓘ *1</p>  <p>4-66*20mm</p>

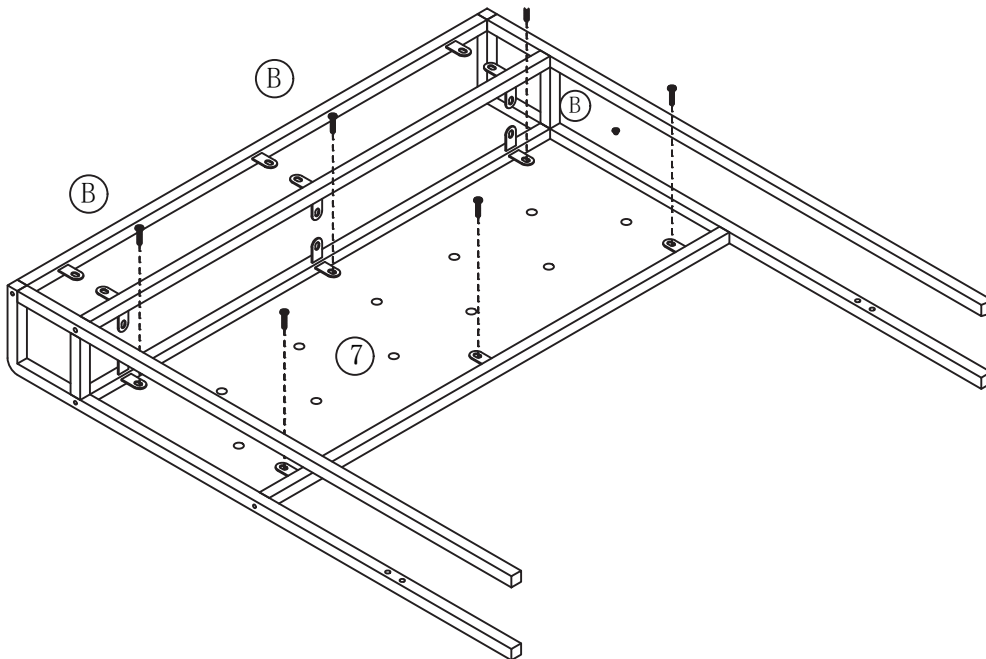
# STEP-1

Ⓔ M6\*35mm  \*8



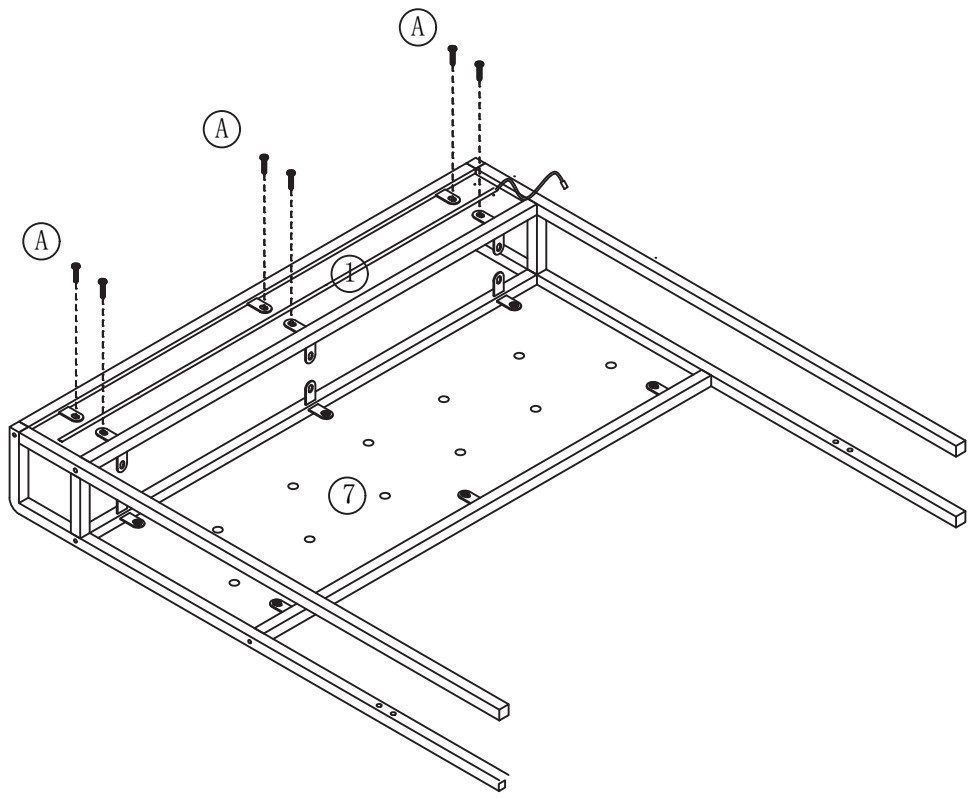
# STEP-2

Ⓑ M6\*15mm  \*6



# STEP-3

Ⓐ M6\*12mm \*6

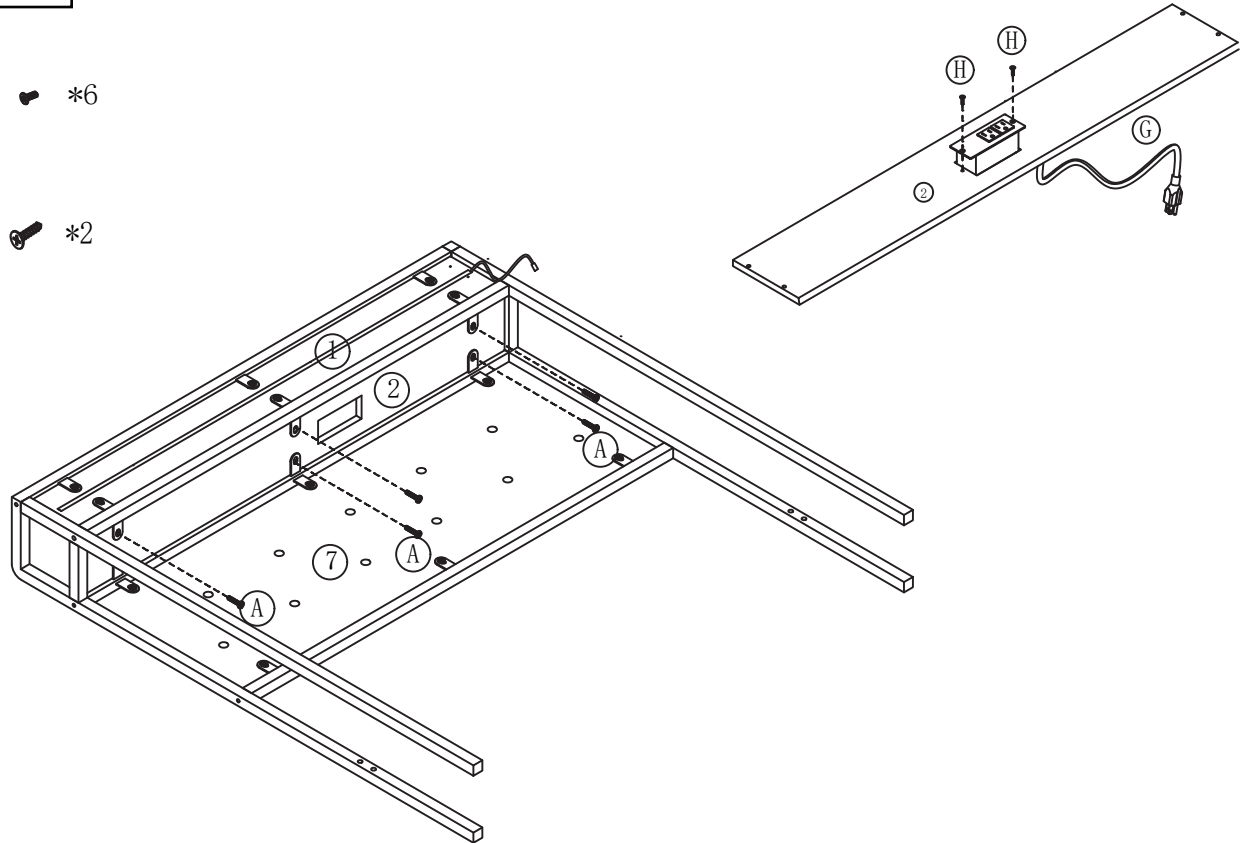


# STEP-4

Ⓐ M6\*12mm \*6

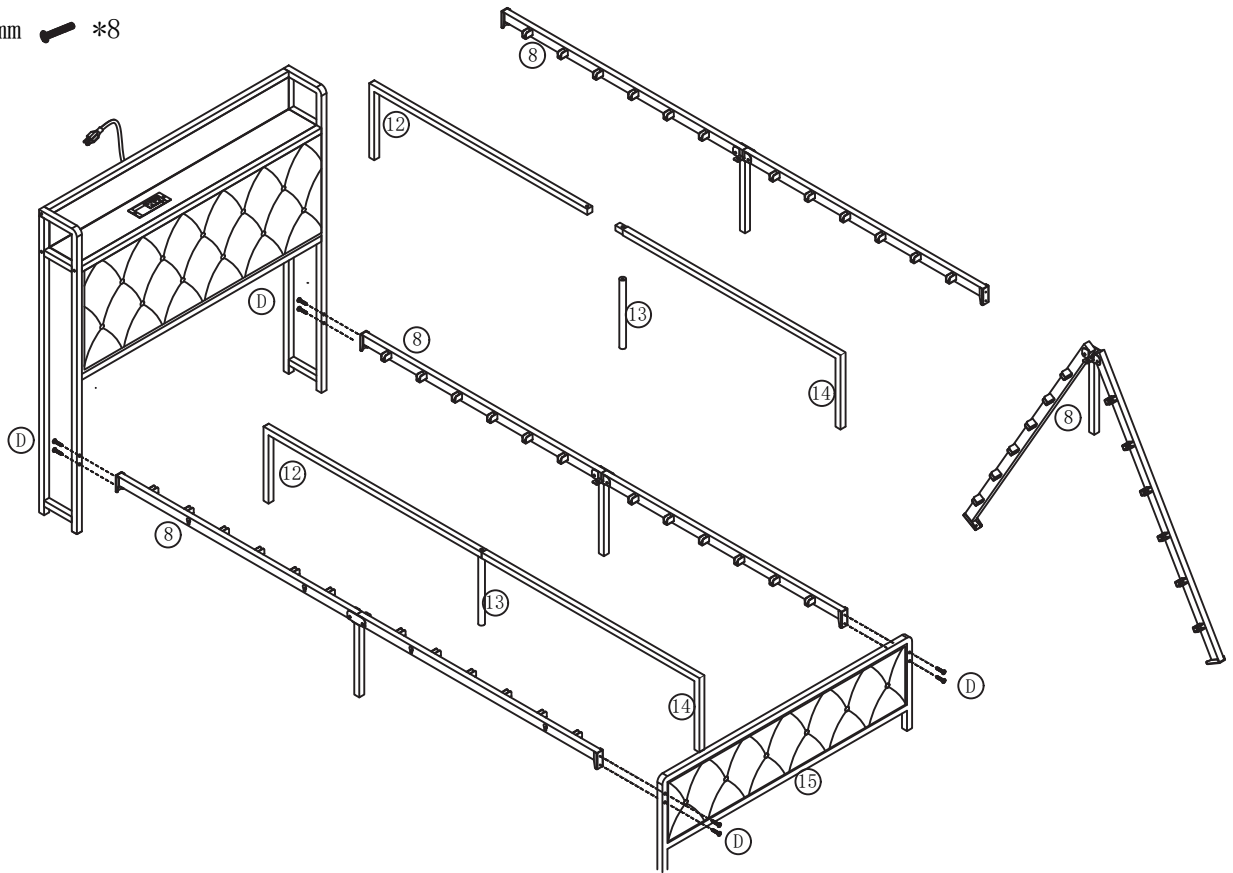
Ⓒ \*1

Ⓗ M4\*10mm \*2



# STEP-5

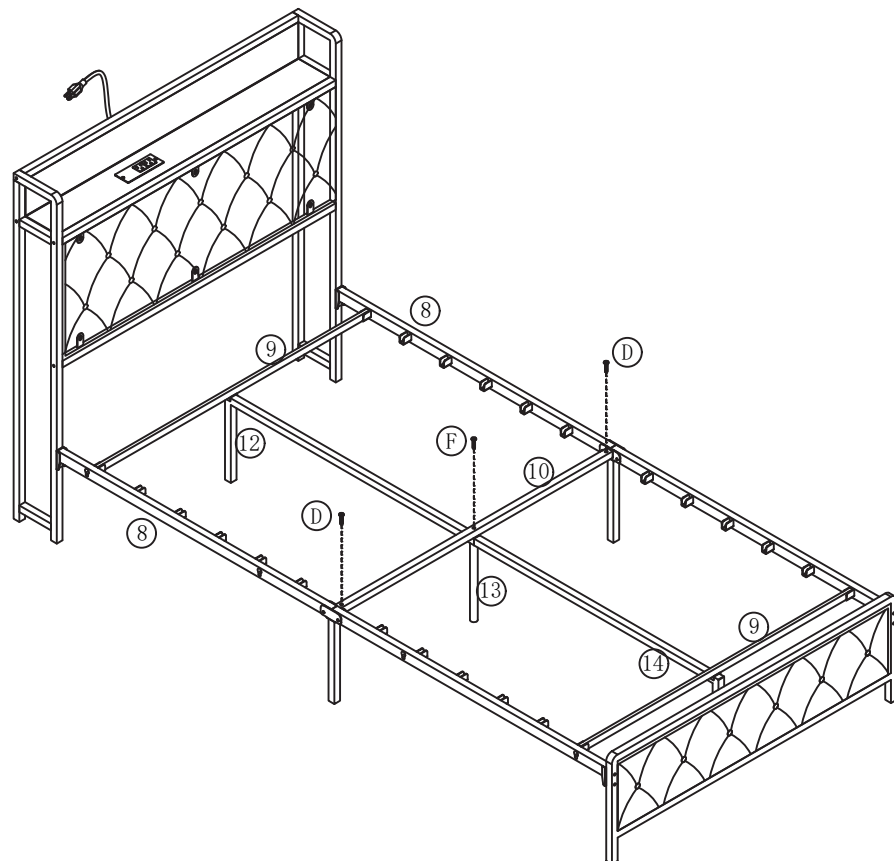
Ⓓ M6\*30mm ➤ \*8



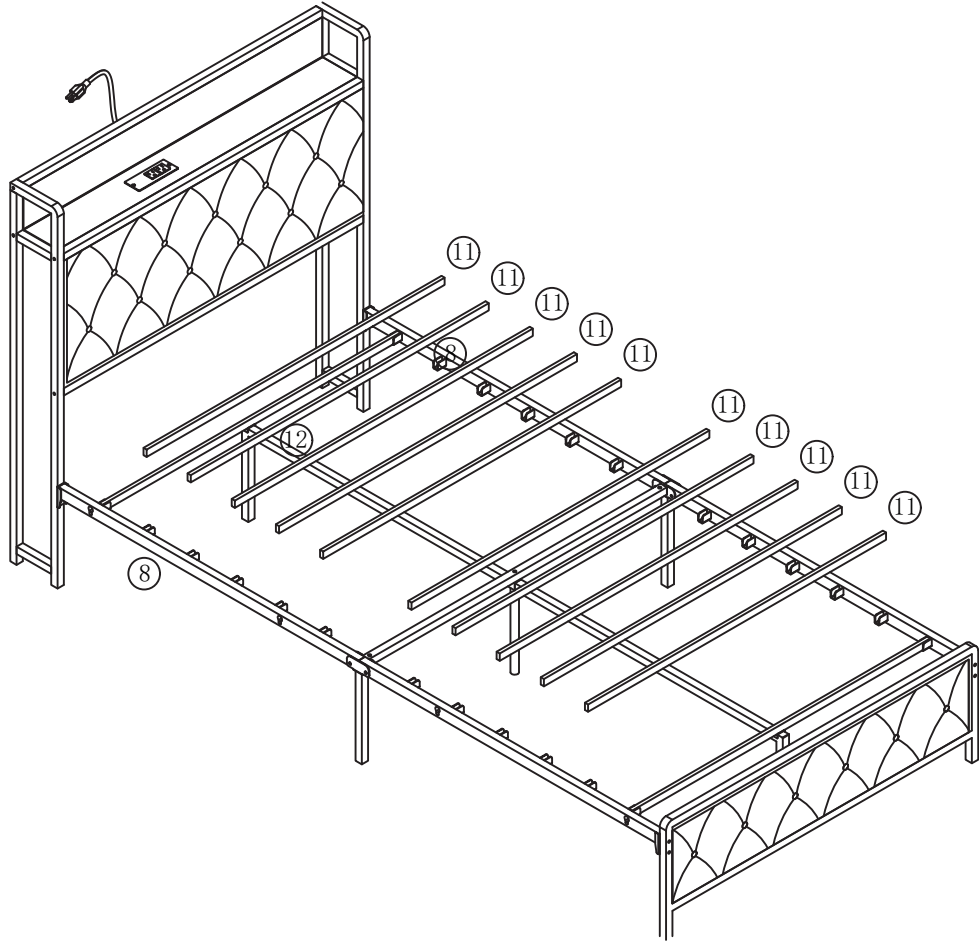
# STEP-6

Ⓓ M6\*30mm ➤ \*2

Ⓕ M6\*55mm ➤ \*1



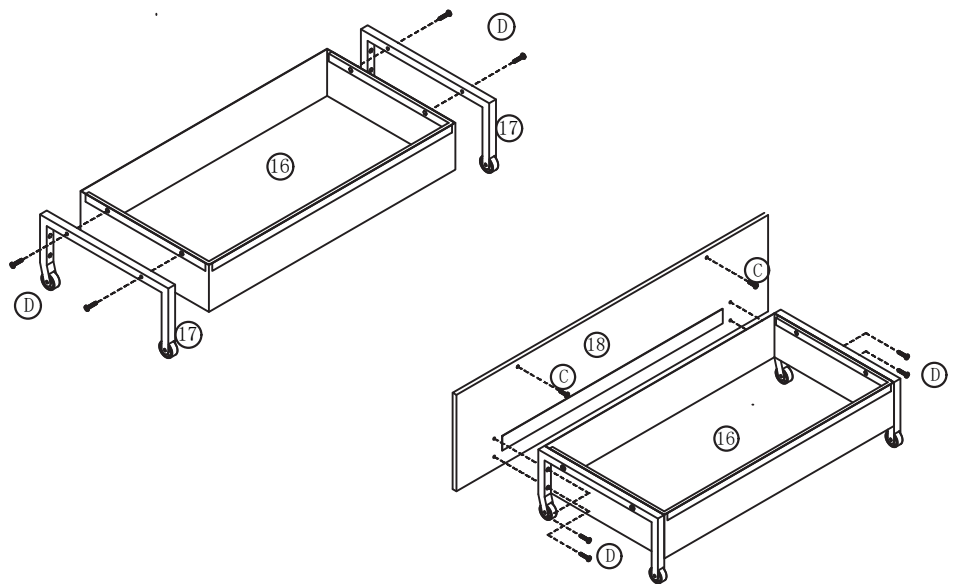
# STEP-7



# STEP-8

Ⓓ M6\*30mm  \*32

Ⓒ M6\*20mm  \*8



There are four drawers of bed

STEP-9

