

Model: BCB2024BN BCB2024MB BCB2024BG

Brushed Nickel (BN)
Matte Black (MB)
Brushed Gold (BG)



Luxury Shower System

Pressure Balance Valve 3-Function Shower

- Shower arm
- 10 inch shower head
- Valve included
- Sliding bar
- Hand shower
- Round body jets

Max 2.5 gmp 9.5L/min @ 80psi
Meets ASME A112.18.1



LIMITED LIFETIME WARRANTY

BUILD WITH CONFIDENCE

STANDARDS:

Meets ASME A112.18.1/CSA B125.1-18 and all applicable requirements referenced therein, as well as California Proposition 65.

INSTALLATION:

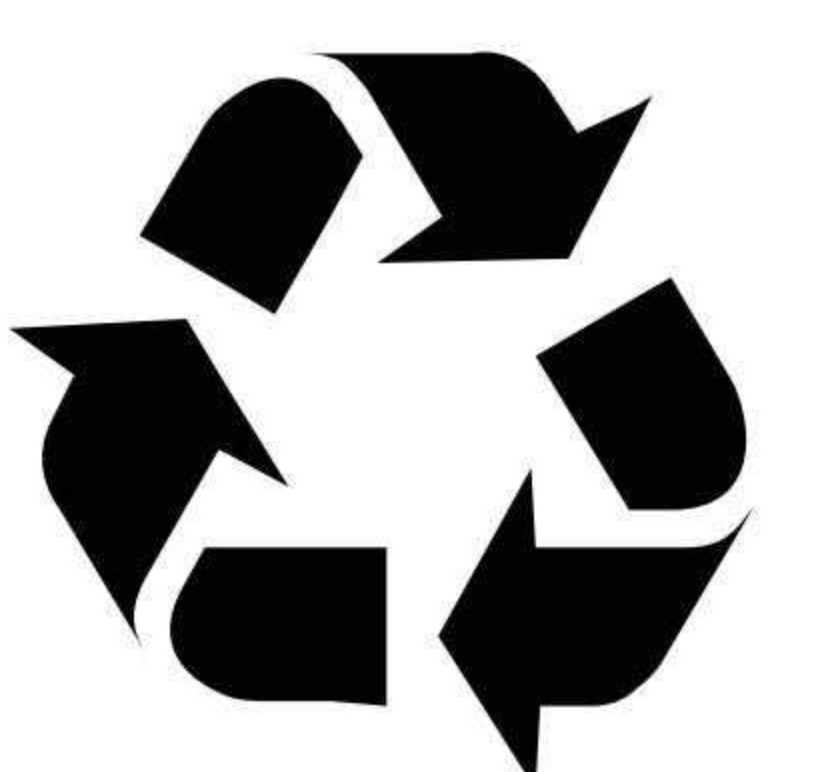
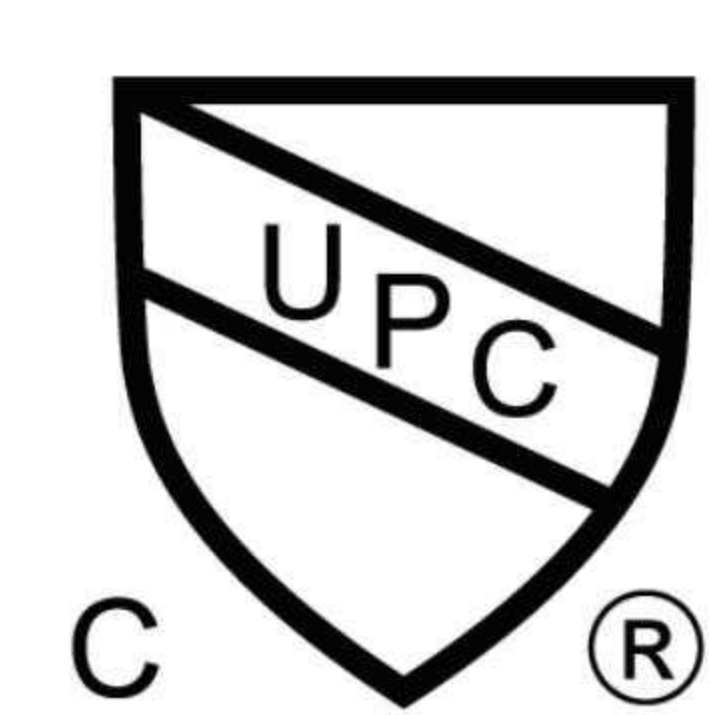
For proper installation and to ensure compliance with applicable standards, this product must be installed by a qualified plumber.

DESCRIPTION:

- Shower arm.
- 10 inch shower head.
- Valve included.
- Sliding bar.
- Hand shower.
- Round body jets.

FINISH:

Matte Black. Brushed Nickel. Brushed Gold.



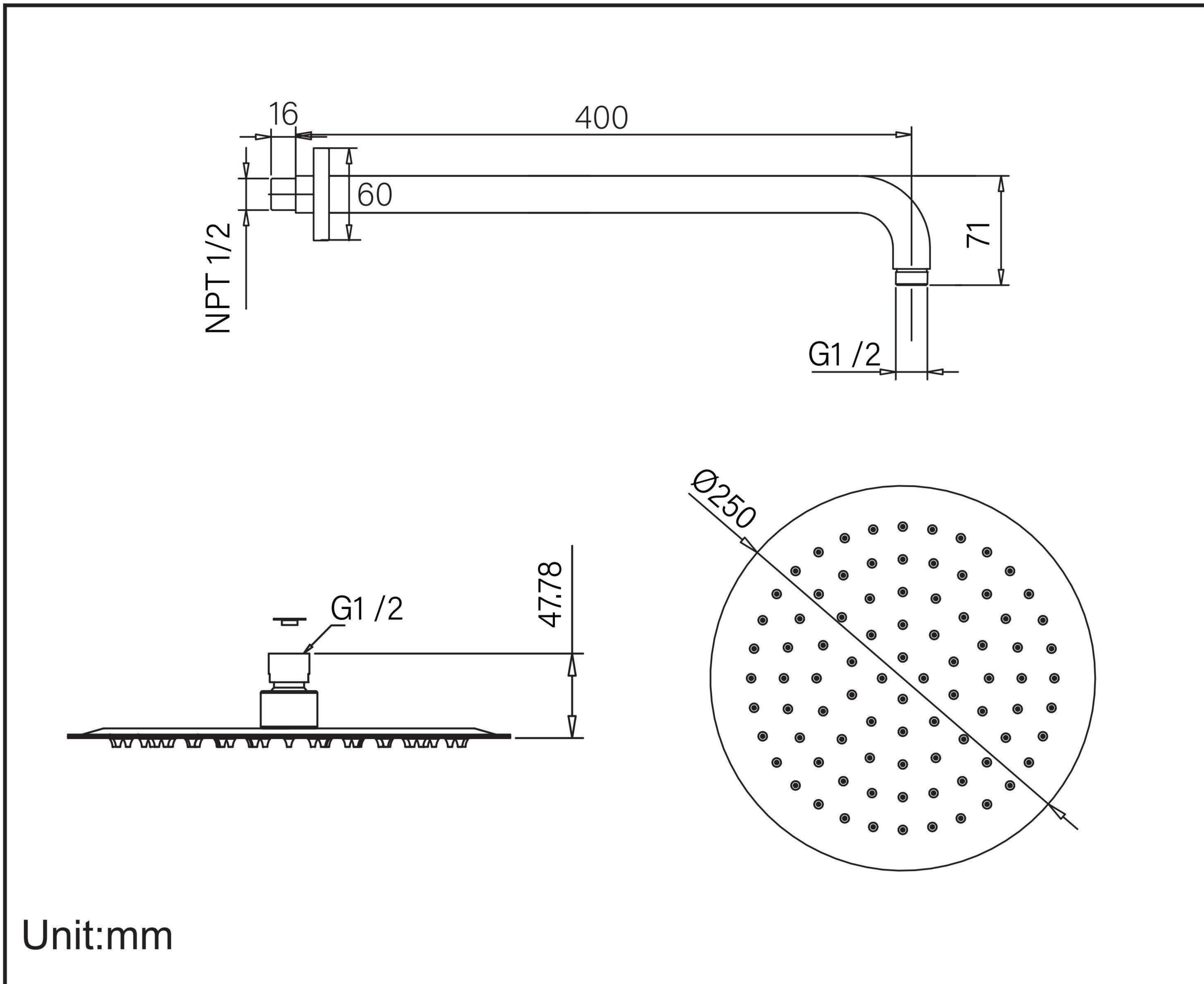
Limited Lifetime Warranty

www.wellfor.com

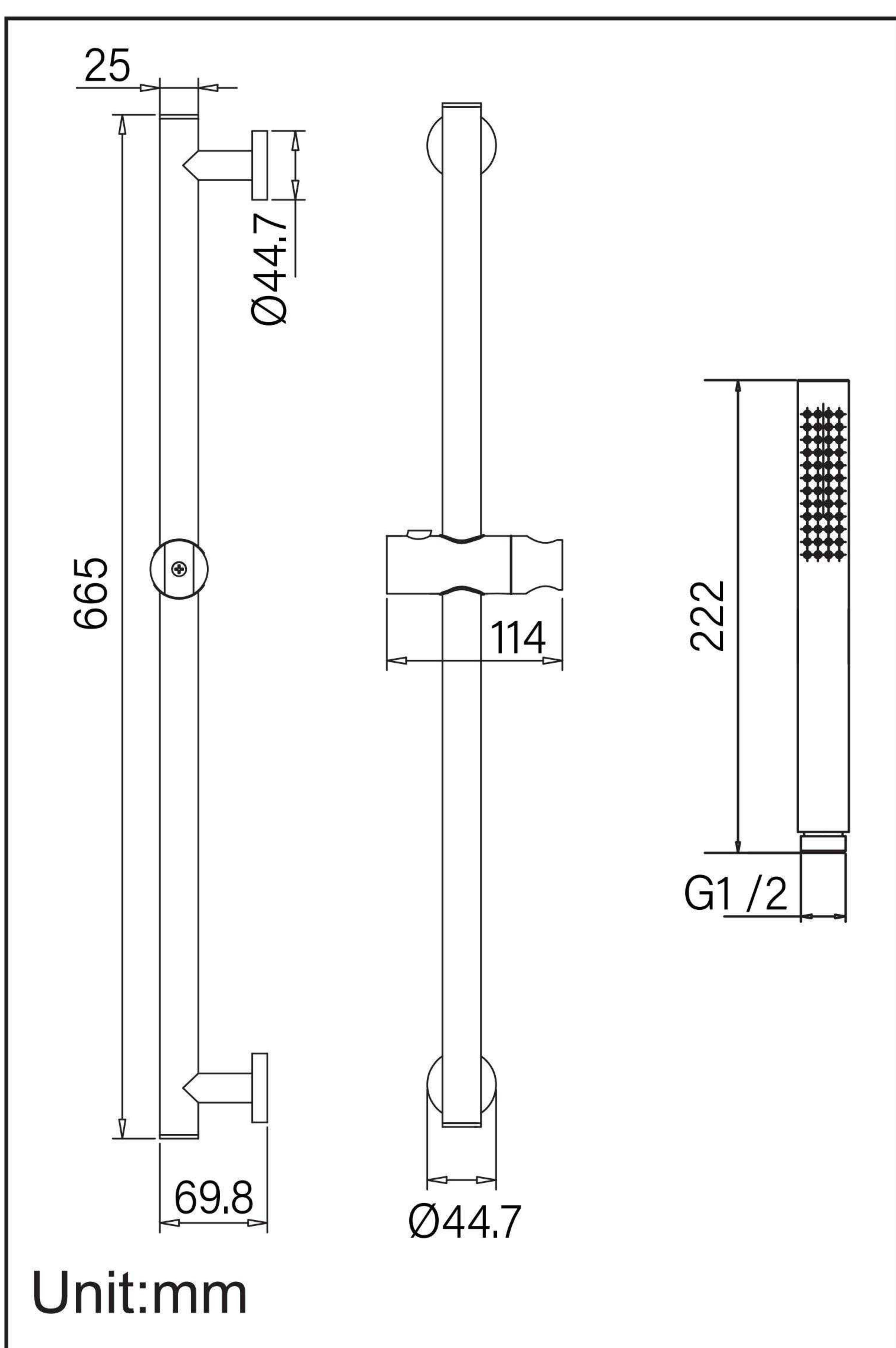
service@wellfor.com

Product Designed in the USA

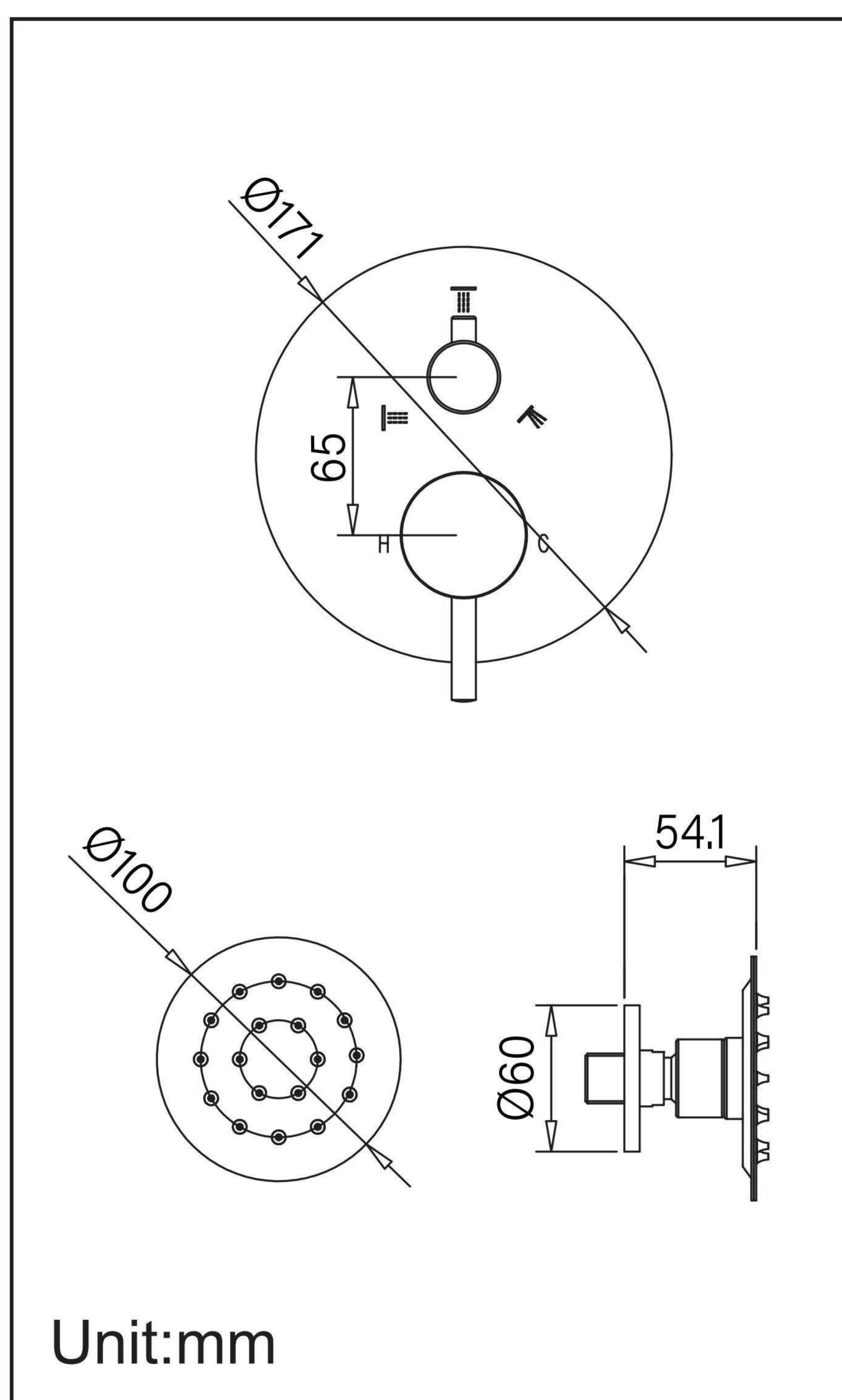
MADE IN CHINA



Unit:mm



Unit:mm



Unit:mm

3-FUNCTION SHOWER SYSTEM

BEFORE YOU BEGIN

We recommend consulting a professional if you are unfamiliar with installing plumbing fixtures. Wellfor accepts no liability for any damage to the plumbing, floor, walls, tub, or for personal injury during installation.

Observe all local plumbing and building codes.

Unpack and inspect the item for shipping damage. If any damage is found, contact our Customer Relations team at 206.809.0093.

GETTING STARTED

Ensure that you have gathered all the required materials that are needed for the installation.

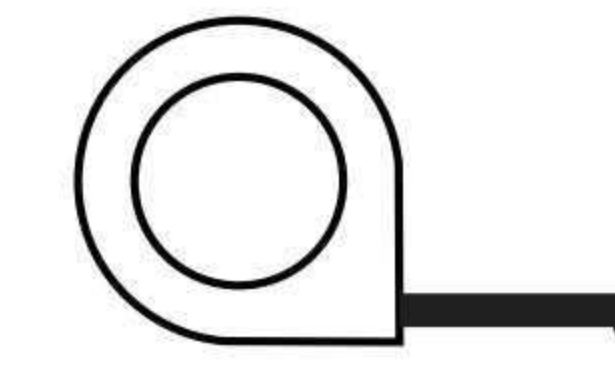
For the following installation instructions, it is assumed that the wall has been opened and that the existing shower set has been removed.

Before you begin, the main water supply to your home should be shut off.

TOOLS AND MATERIALS:



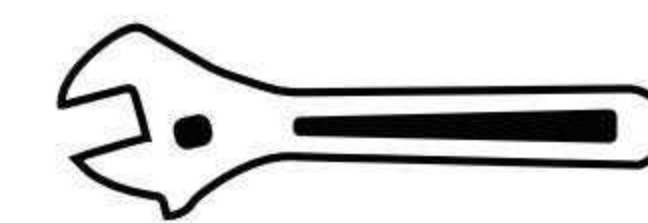
Plumbers Tape



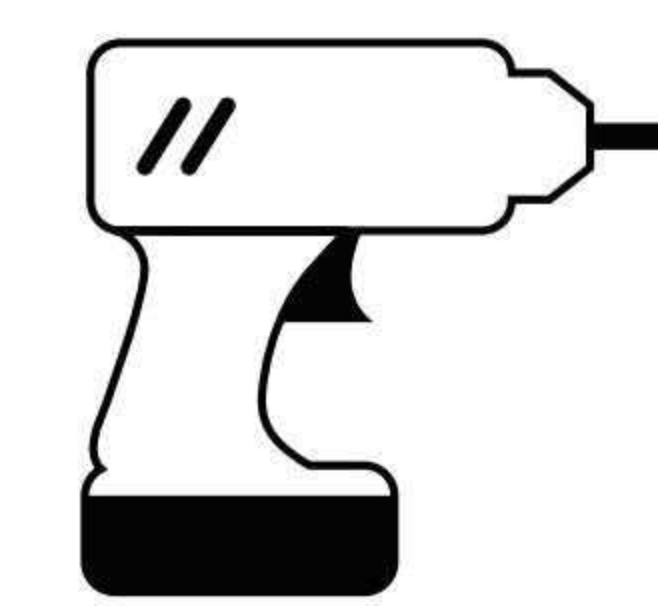
Tape Measure



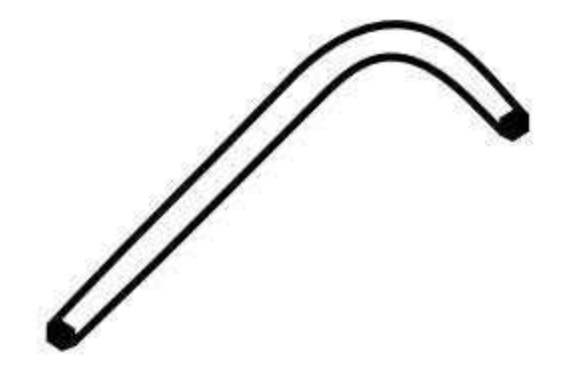
Phillips Screwdriver



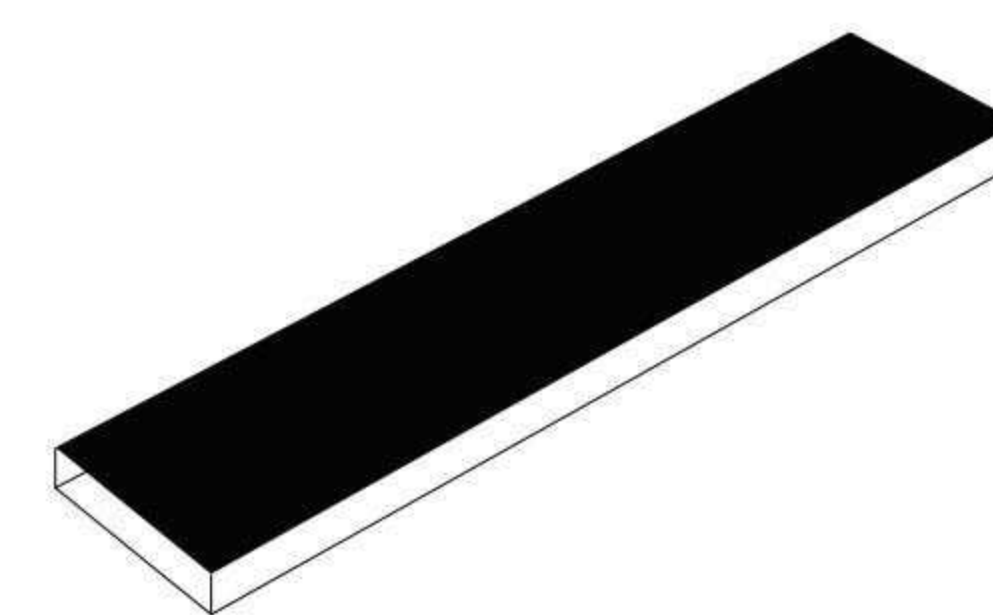
Adjustable Wrench



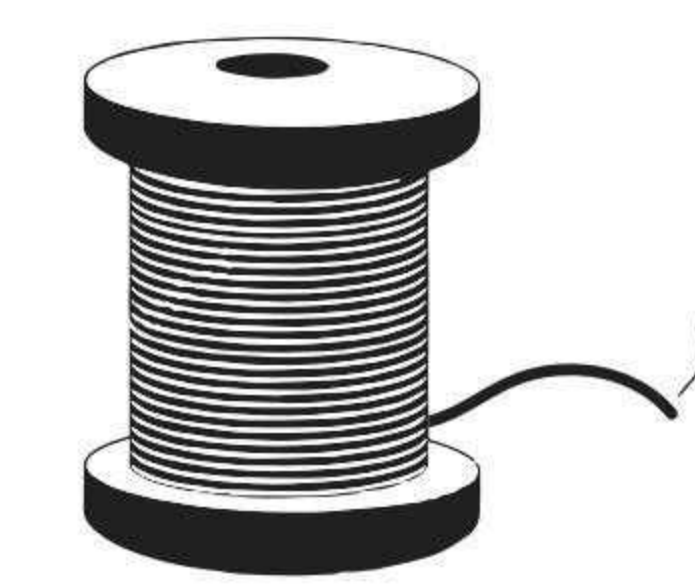
Drill



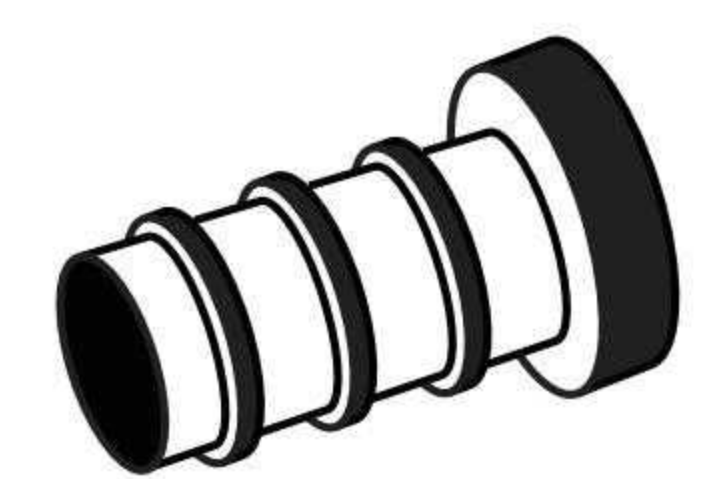
Hex Wrench



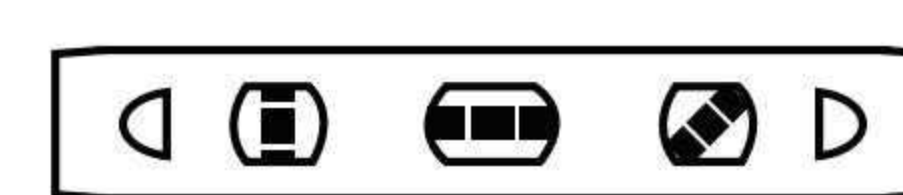
Wood Blocking



Soldering Kit
(for copper pipe)



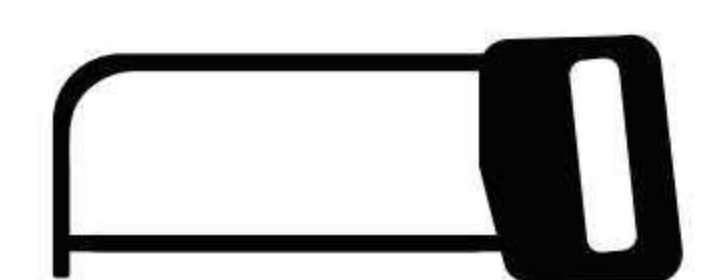
1/2" Test Plug



Level



Pencil or
Marker



Hacksaw



All dimensions and specifications are nominal and may vary. Use actual products for accuracy in critical situations.

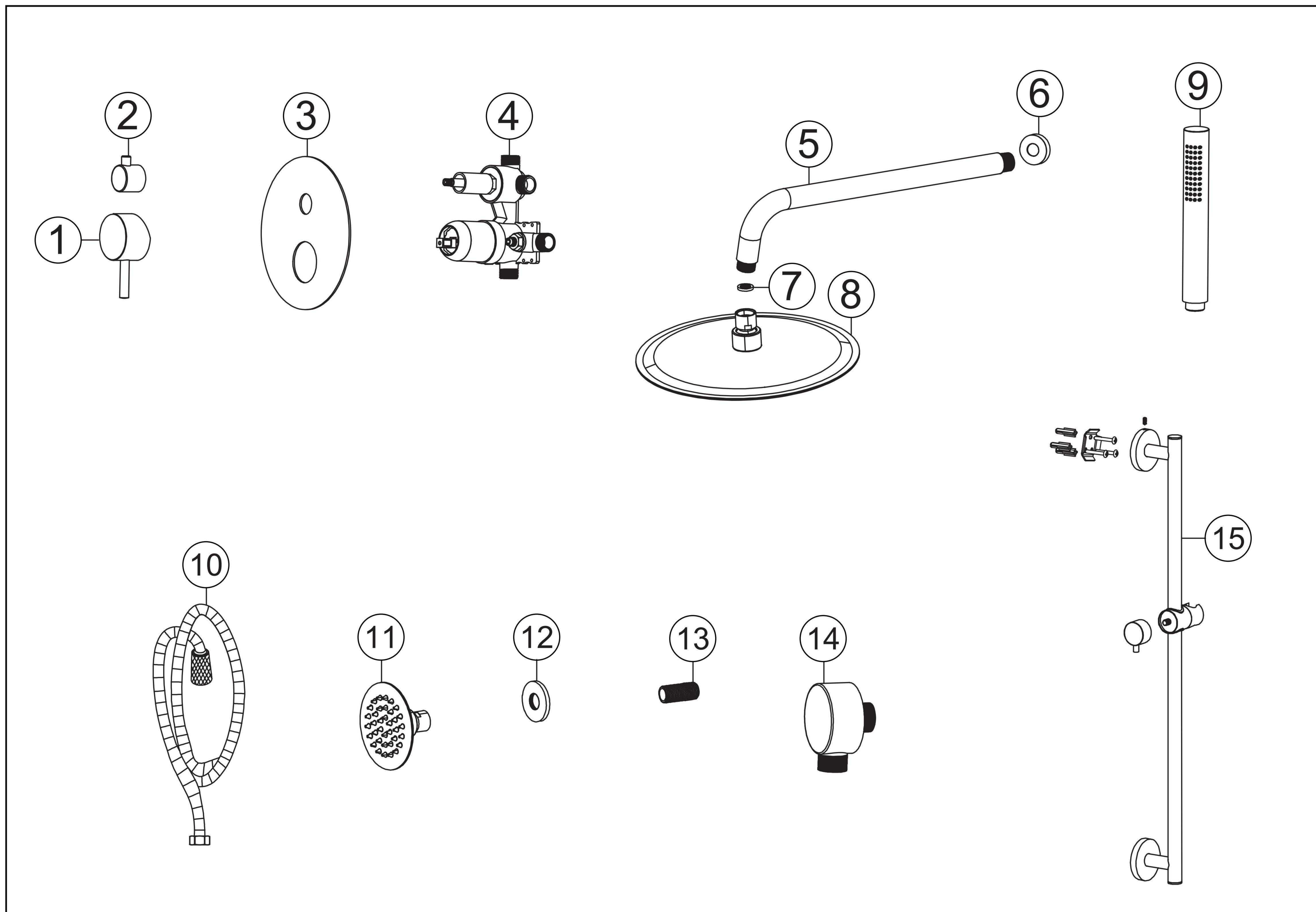


Accessories size, style and shape may vary from the picture above. Instruction purpose only.

3-Function Thermostatic Shower

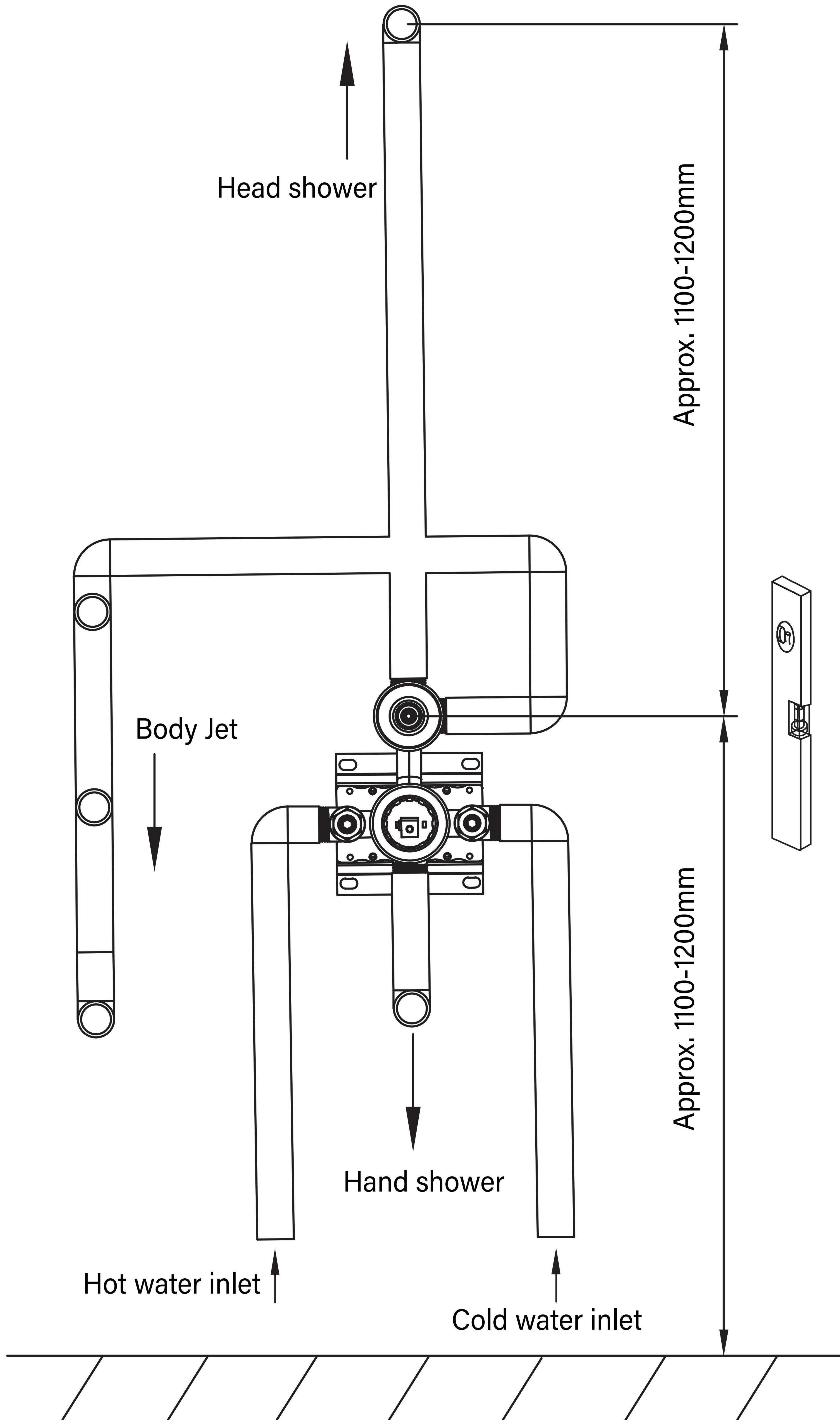
Model:BCB2024BN/BCB2024MB/BCB2024BG

ACCESSORIES LIST

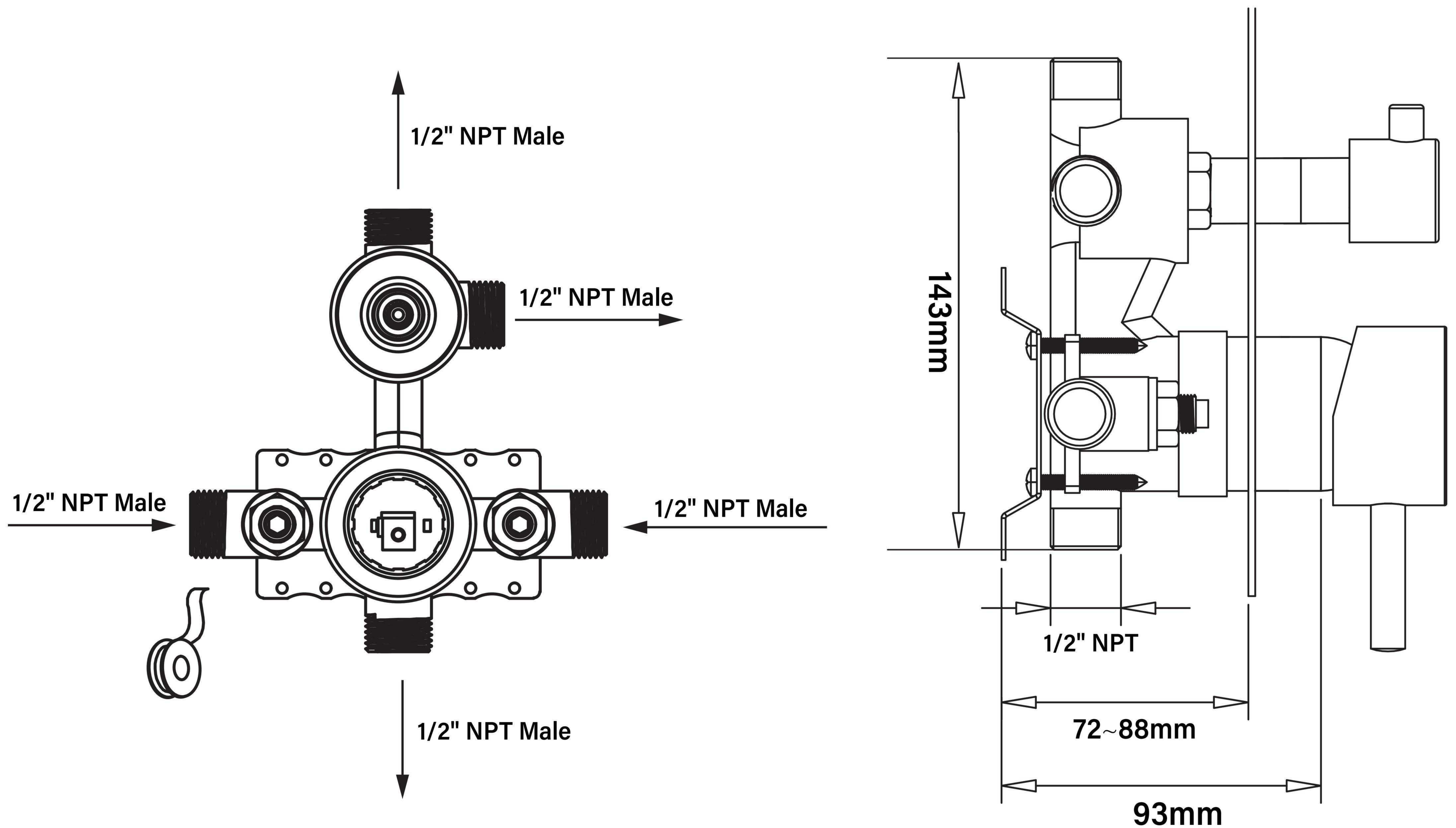


S/N	MODELS	QTY	S/N	MODELS	QTY
1	Handle	1	9	Hand shower	1
2	Diverter knob	1	10	Shower hose	1
3	Metal Plate	1	11	Body jet	3
4	Valve	1	12	Body jet flange	3
5	Shower arm	1	13	Thread connector	3
6	Shower arm flange	1	14	Water inlet for hose	1
7	Rubber Gasket	1	15	Sliding bar	1
8	Head shower	1			

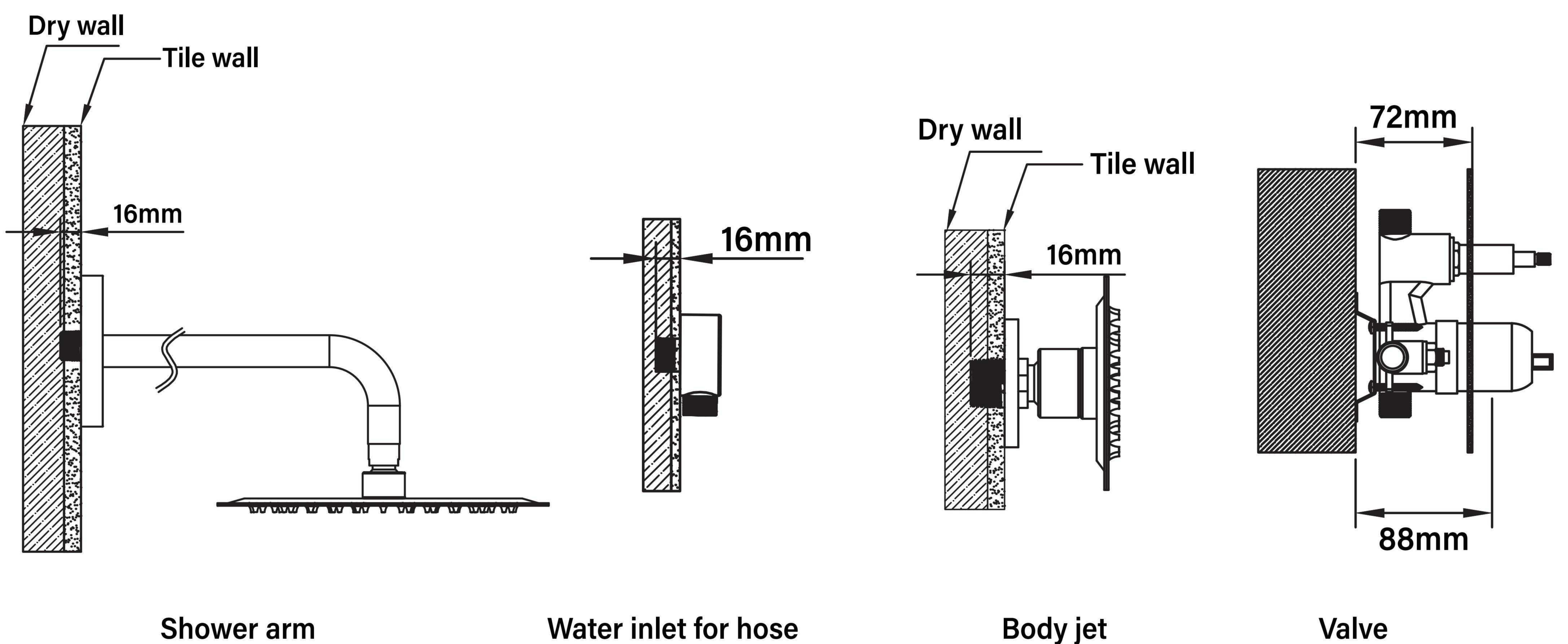
INSTALLATION FEATURE



PRESSURE BALANCE VALVE PIPING



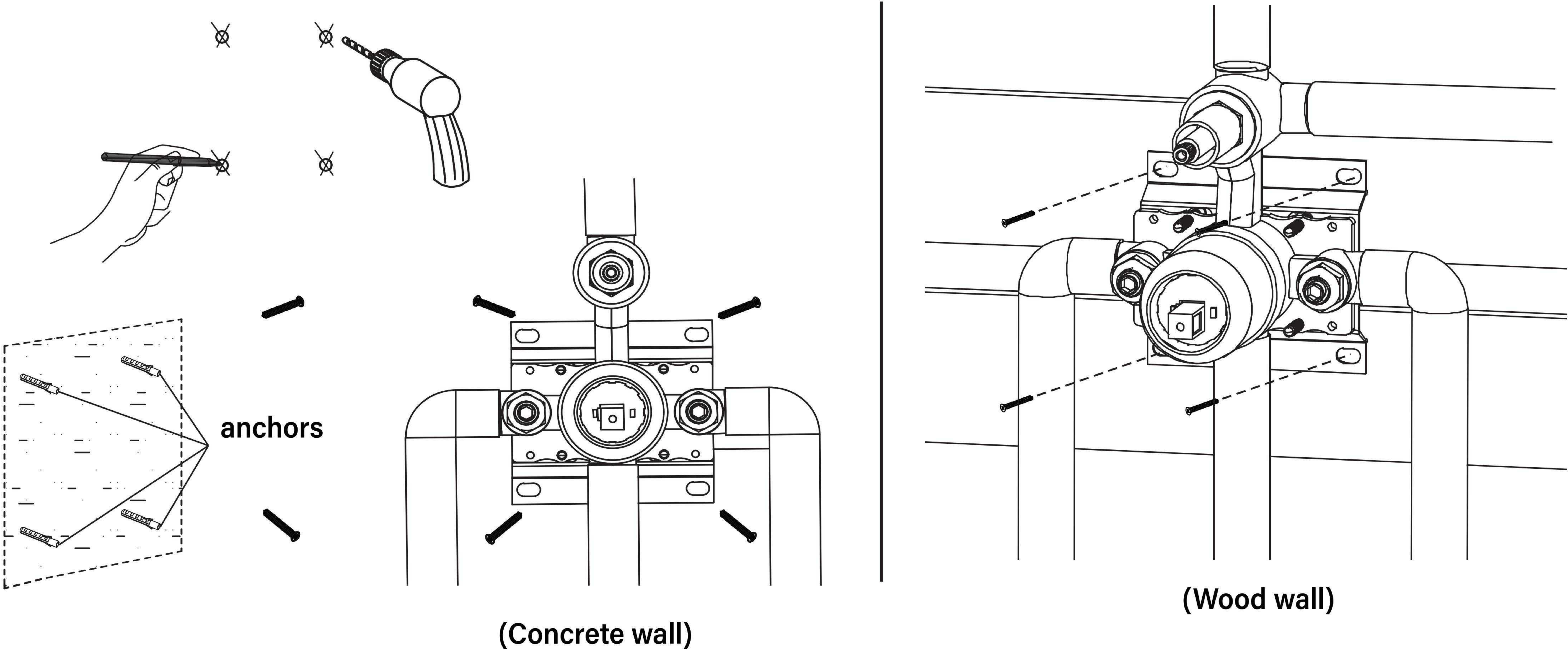
CONCEALED MOUNTING DEPTH



Note: Male thread is 1/2"-14NPT.
 Installation depth for shower valve is between 72--88mm, including the thickness of the tile.
 The shower valve opening size shall be smaller than the trim cover plate.

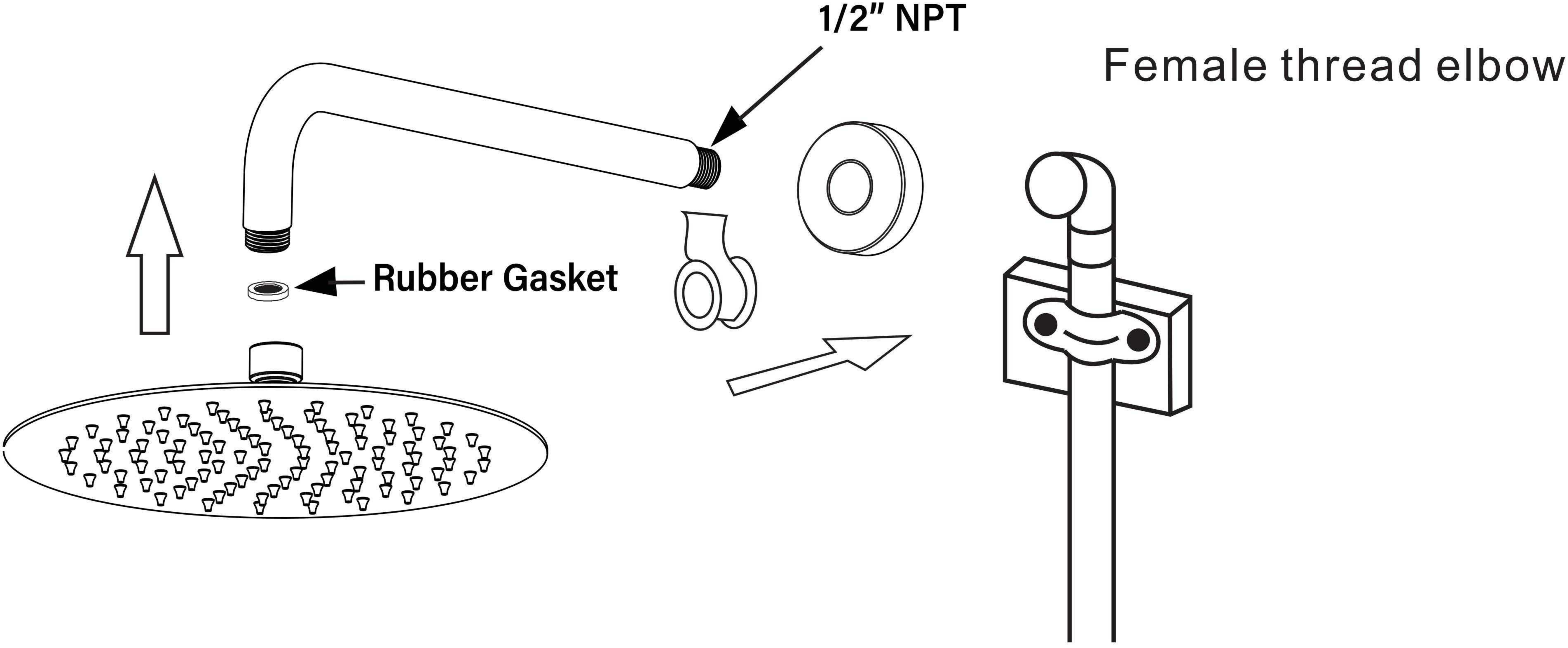


VALVE INSTALLATION



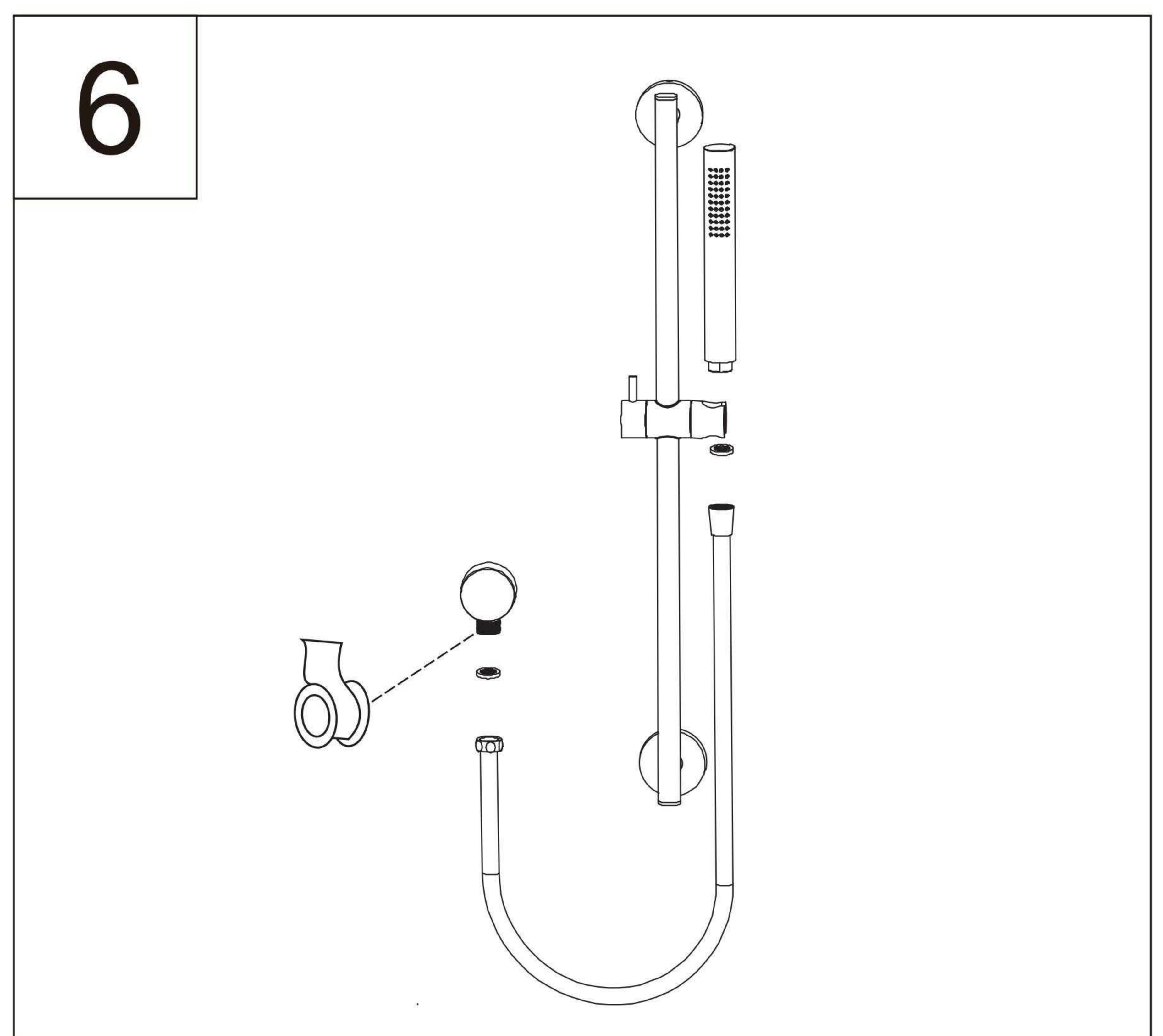
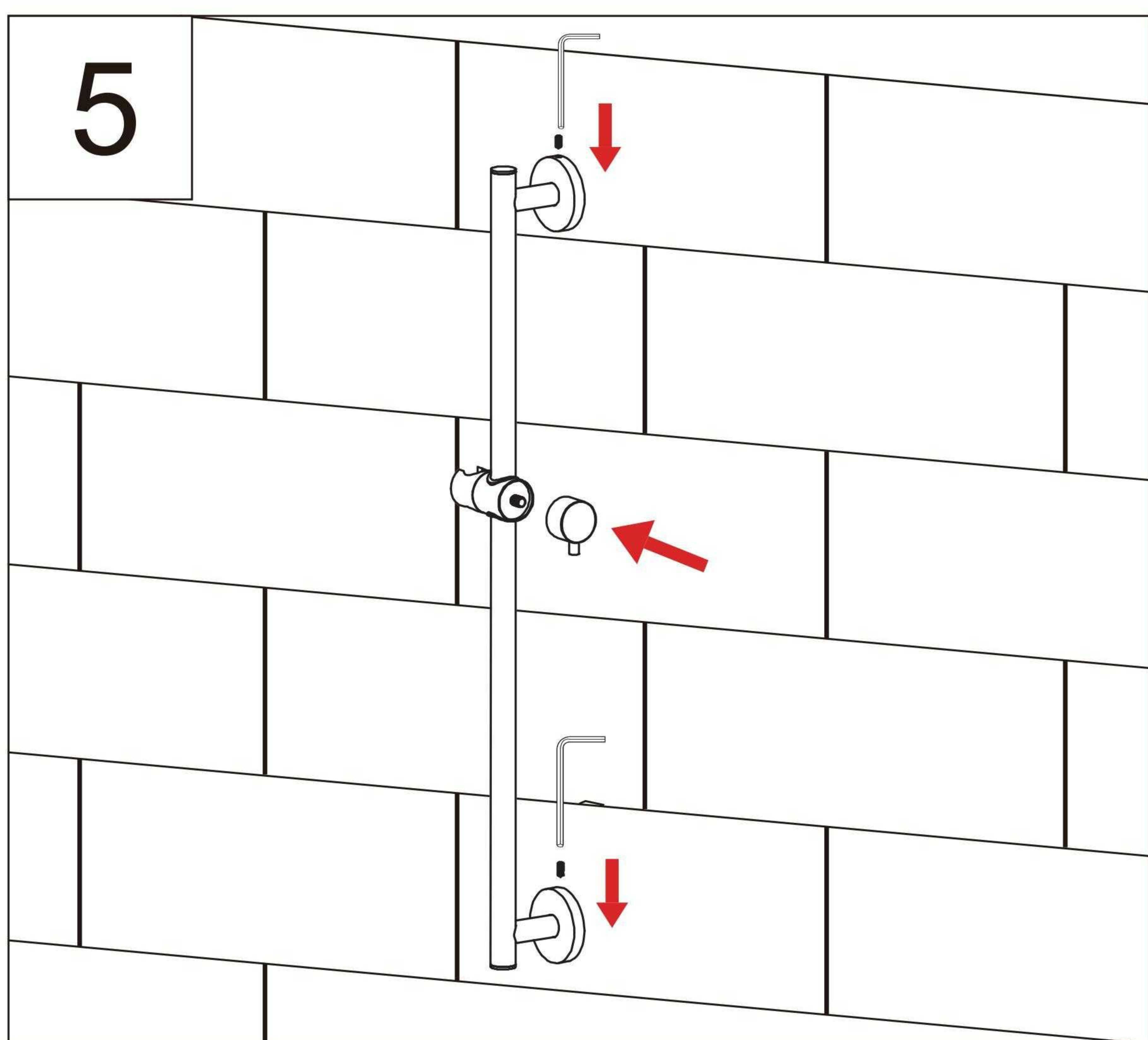
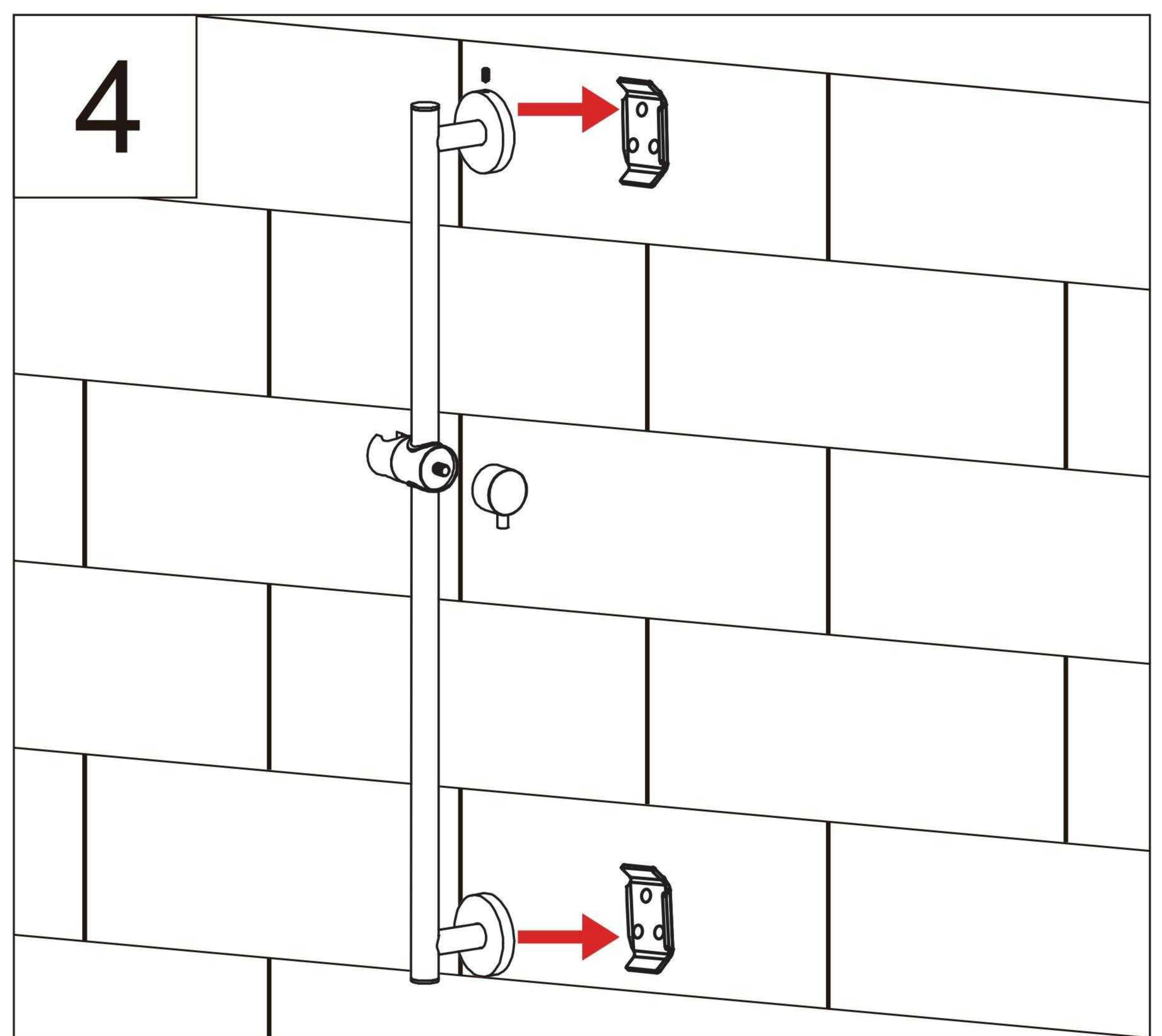
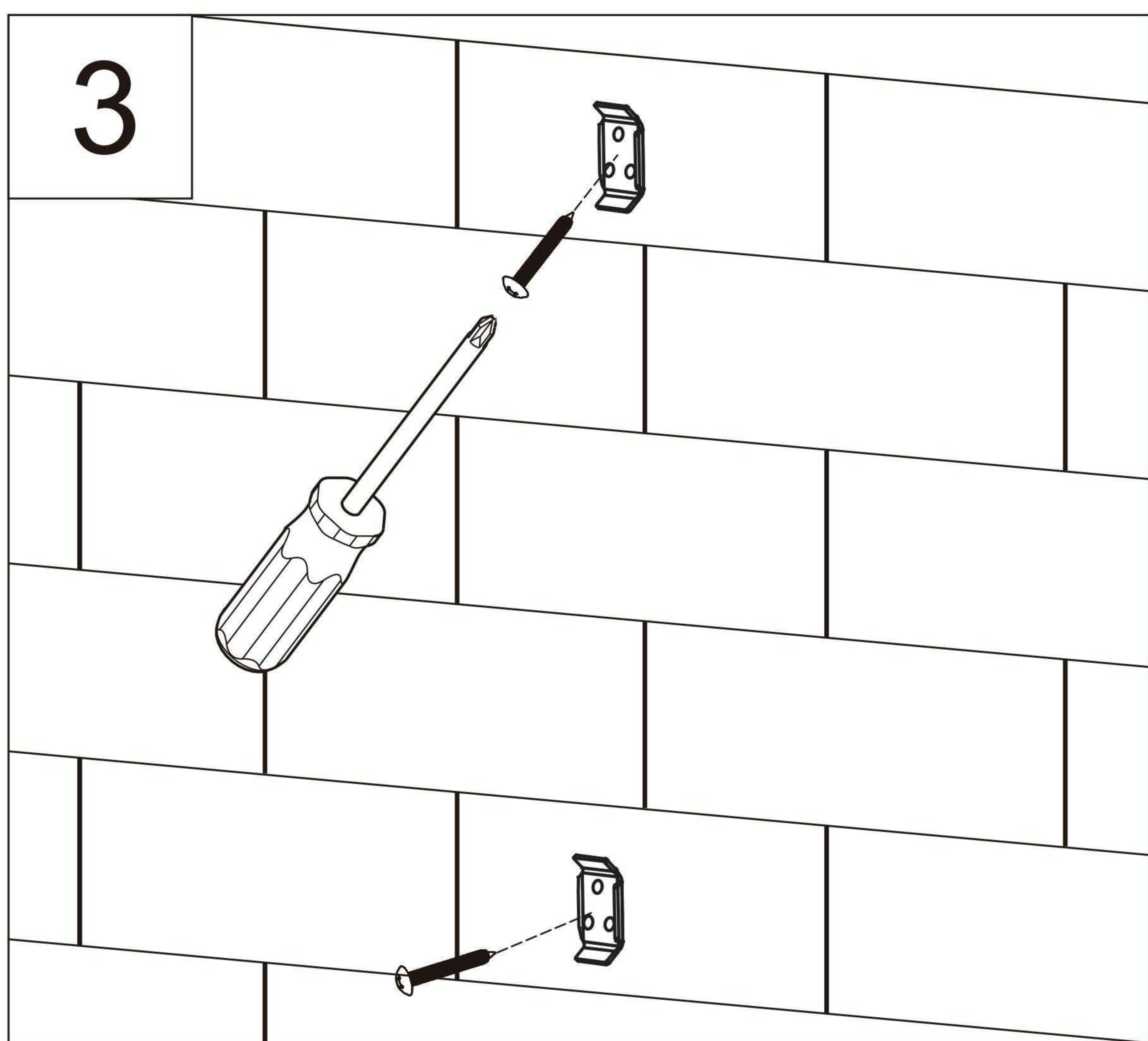
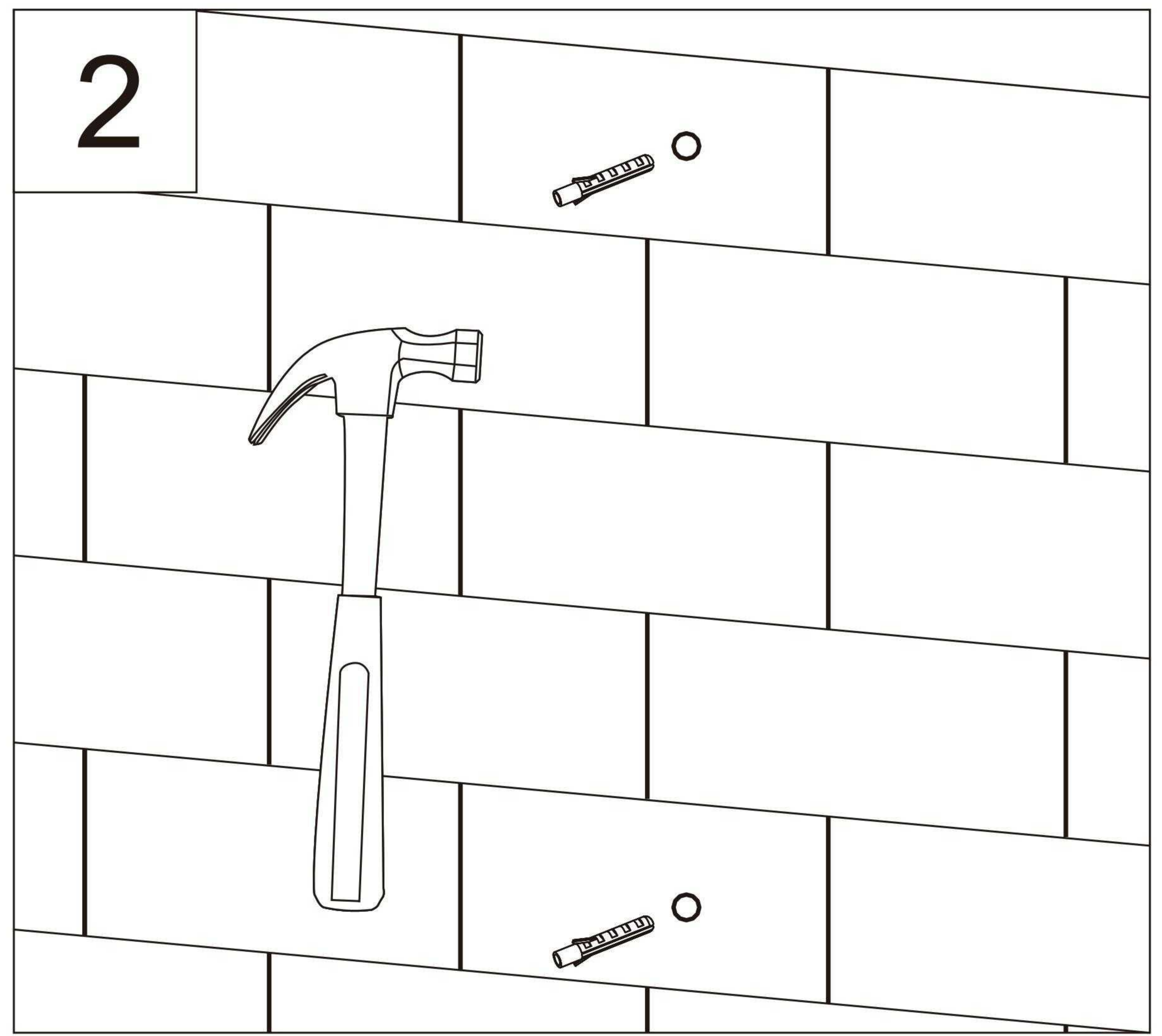
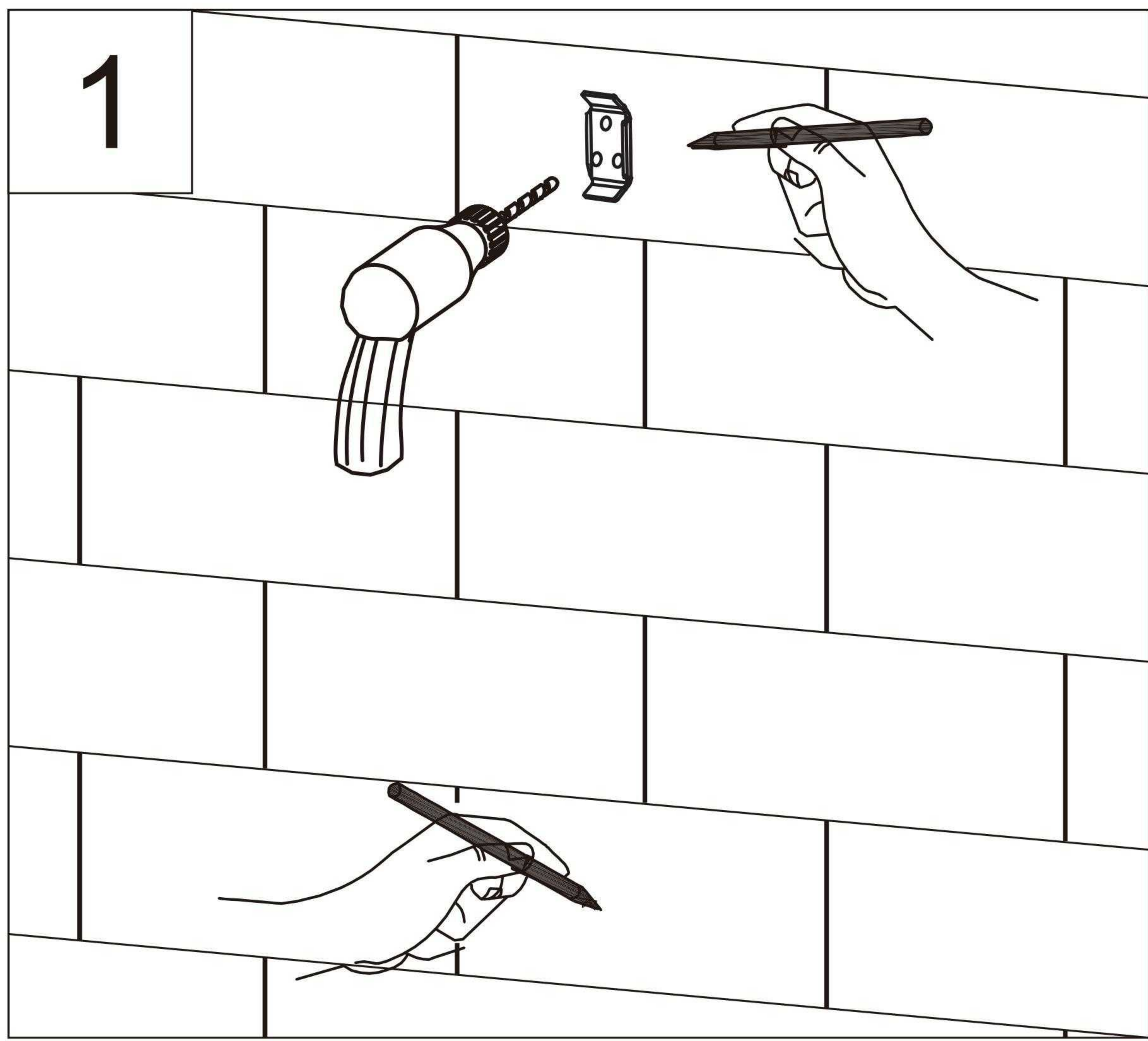
Note: Wood blocking should be installed between the two studs where the valve will mount. Be careful not to set the valve too far back into the wall. Use the sticker on the side of the valve for guidance.

SHOWER HEAD INSTALLATION

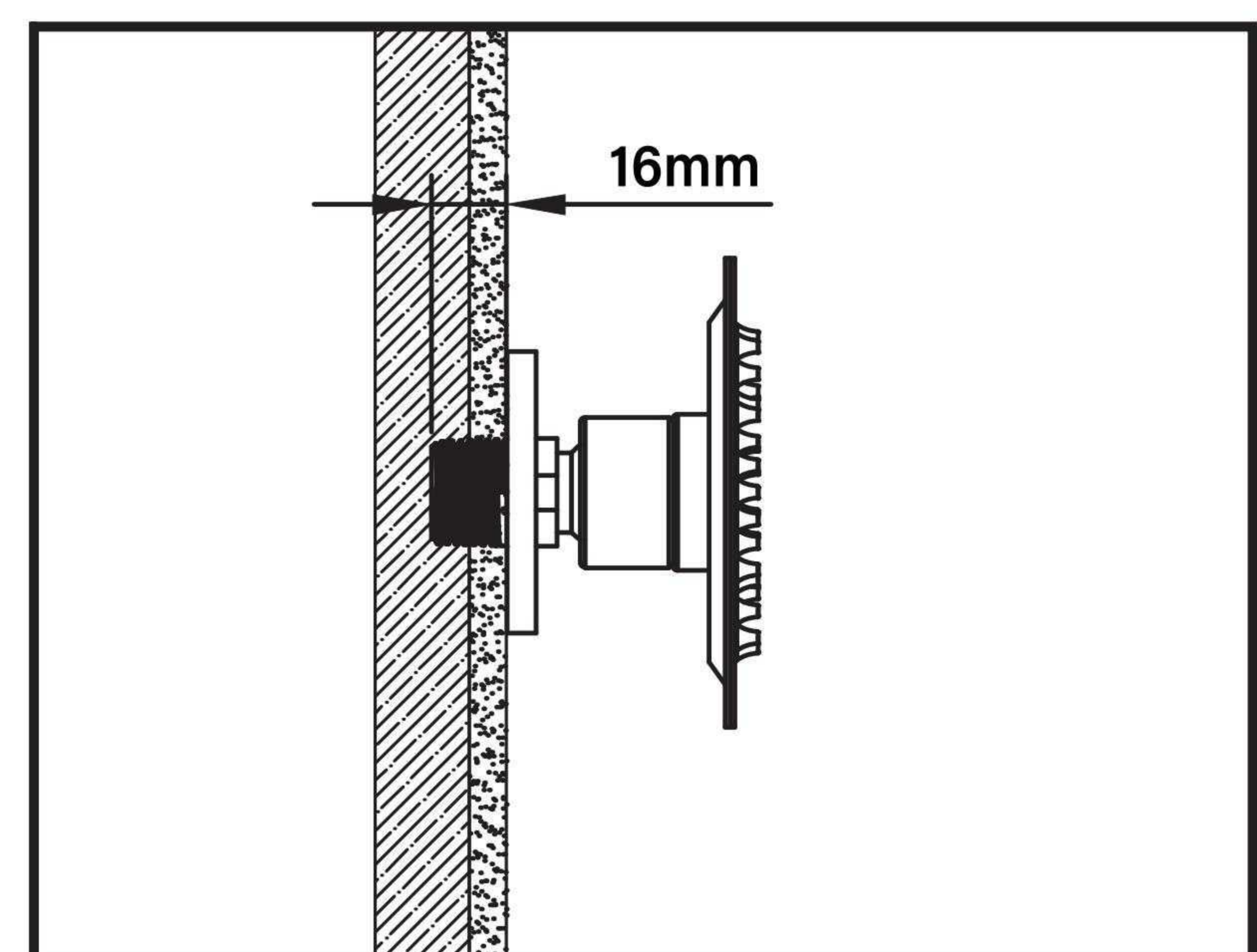
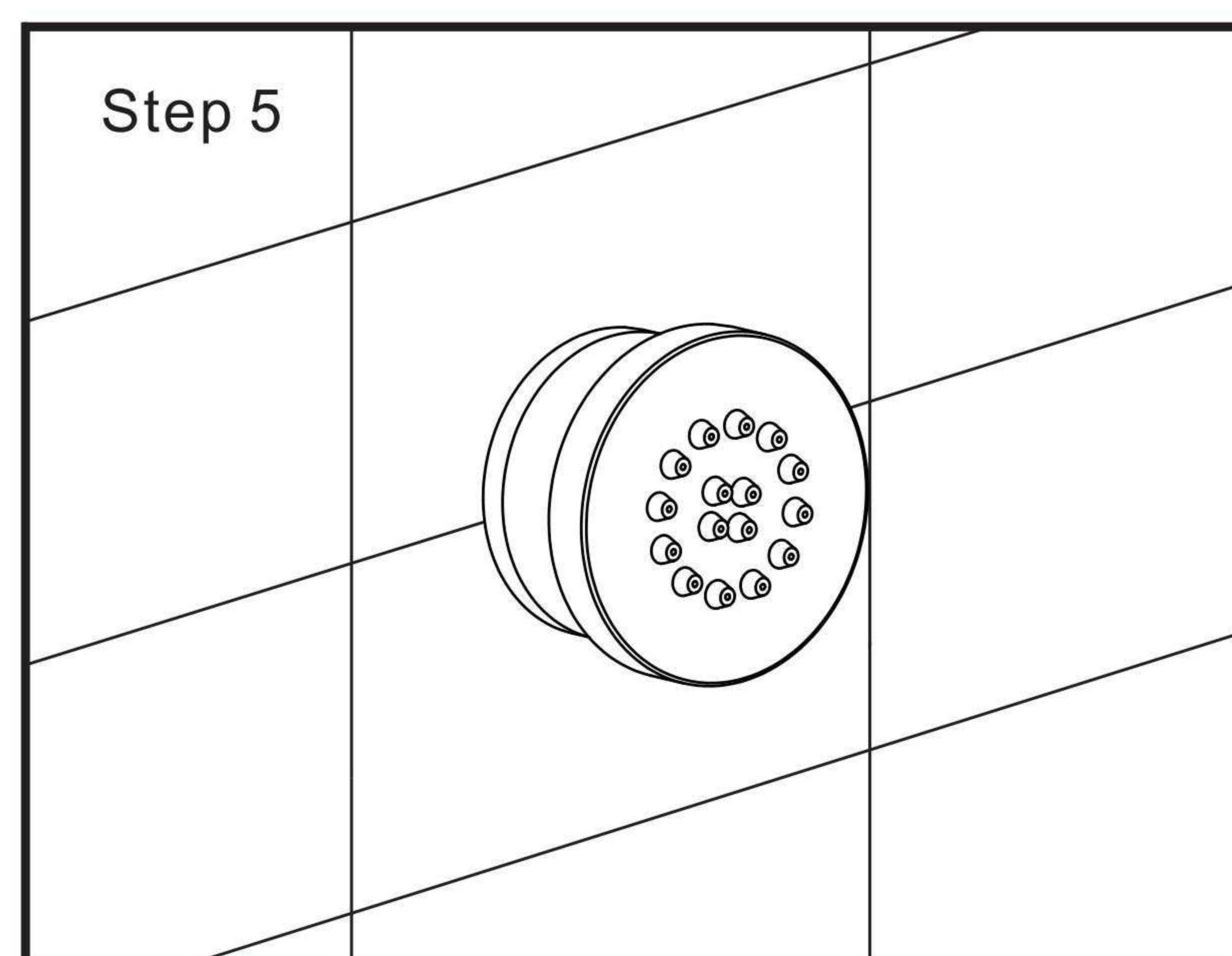
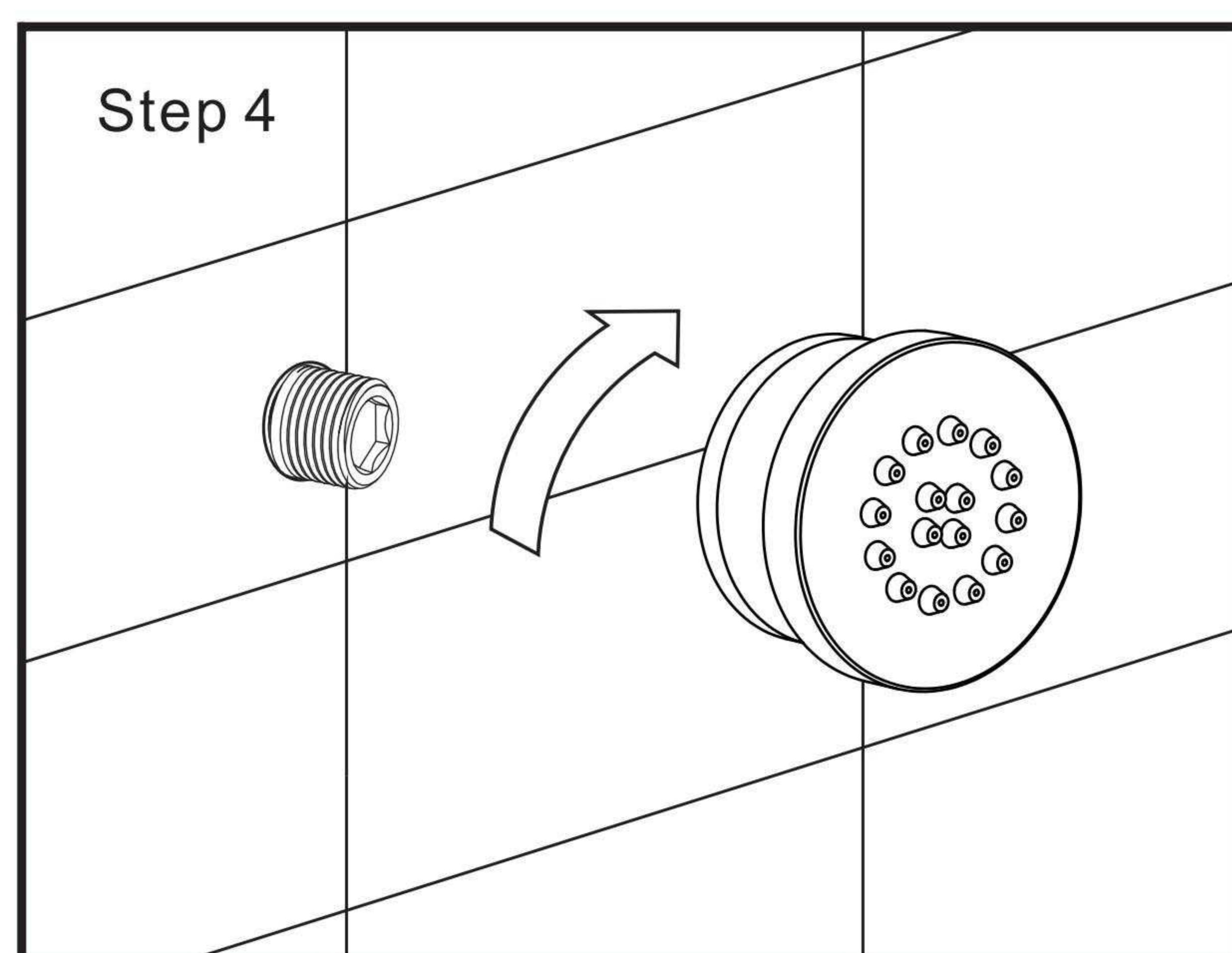
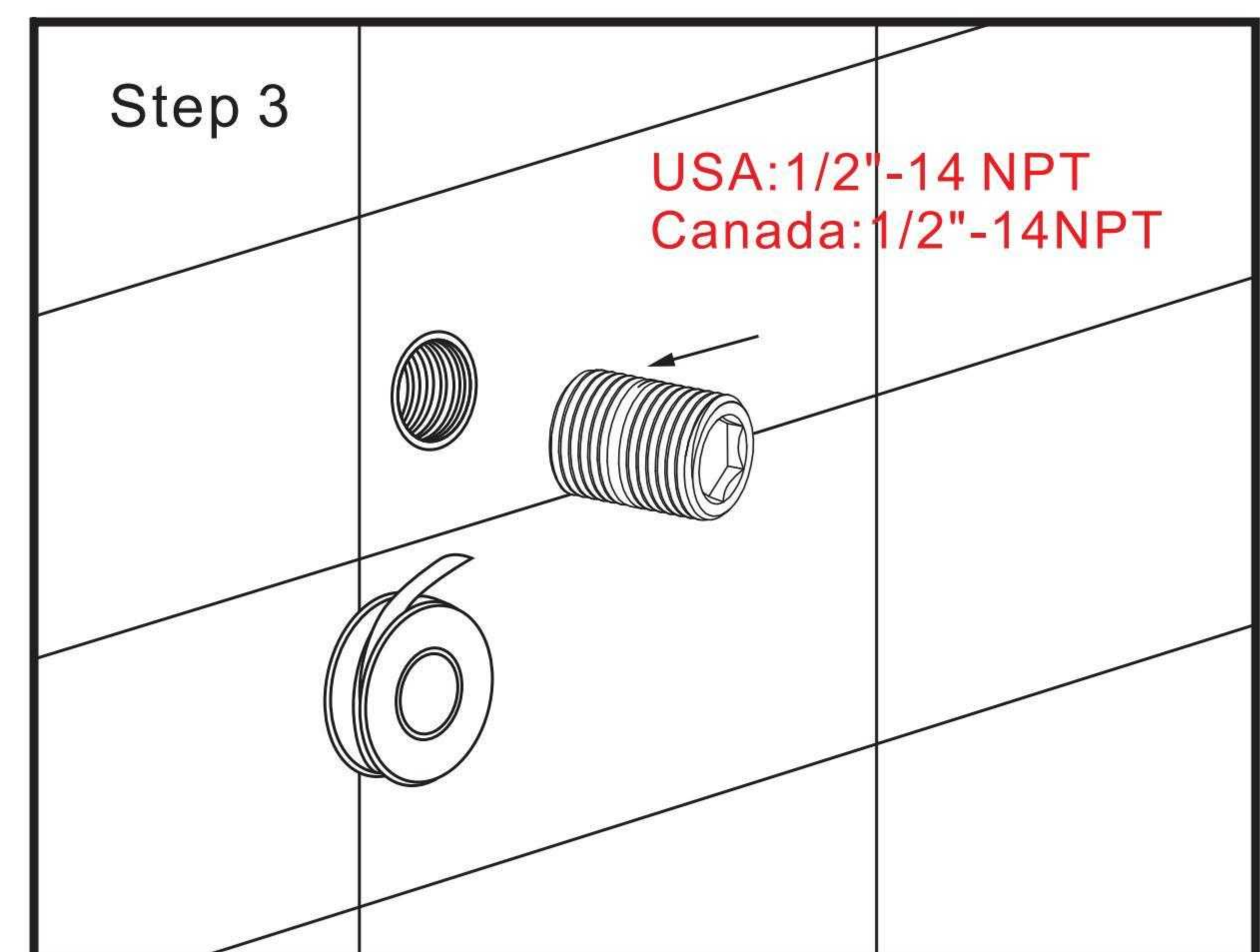
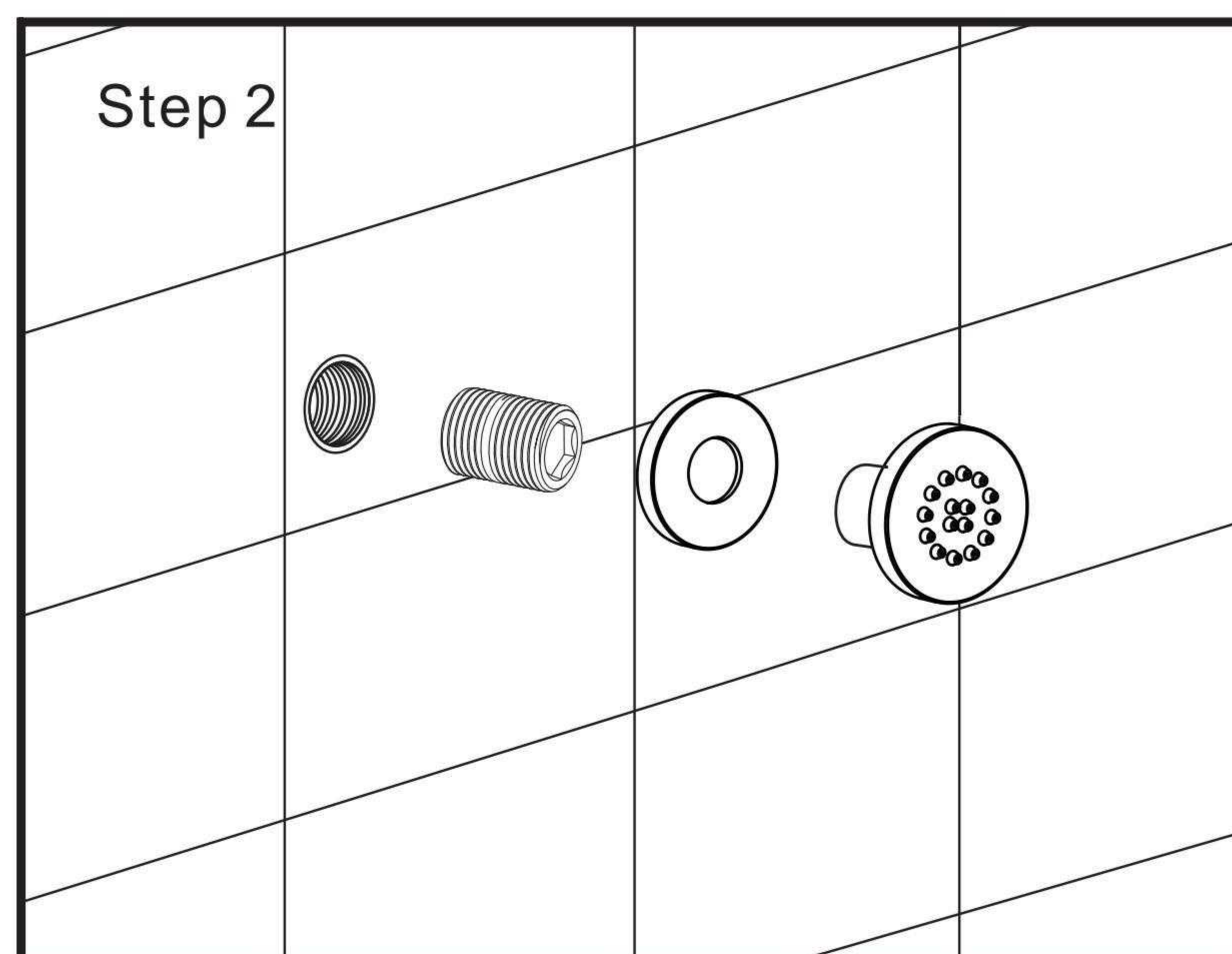
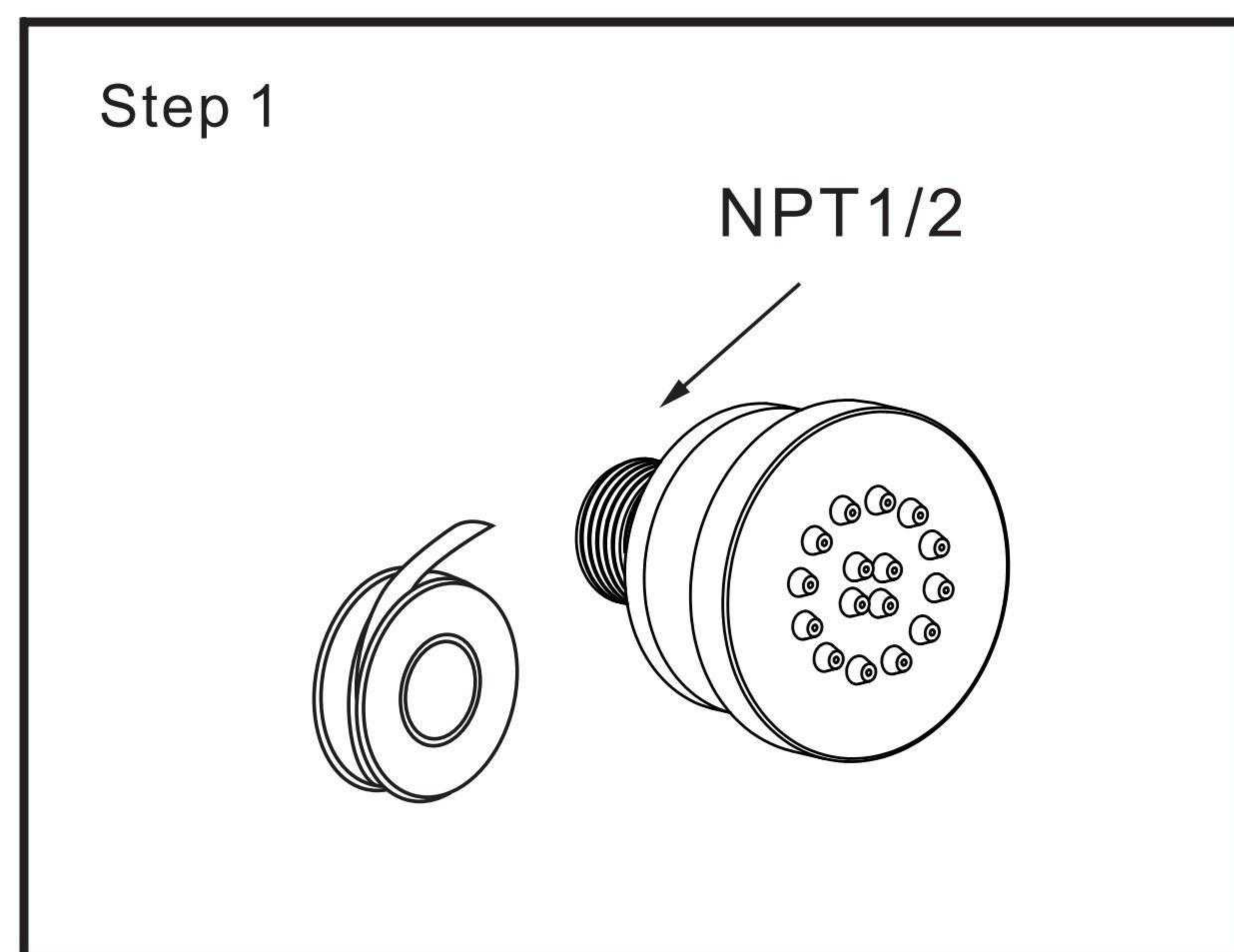


Note: Apply Teflon tape (plumbing tape) to the threads of the shower arm before screwing it into the wall to ensure a tight seal and prevent leaks.

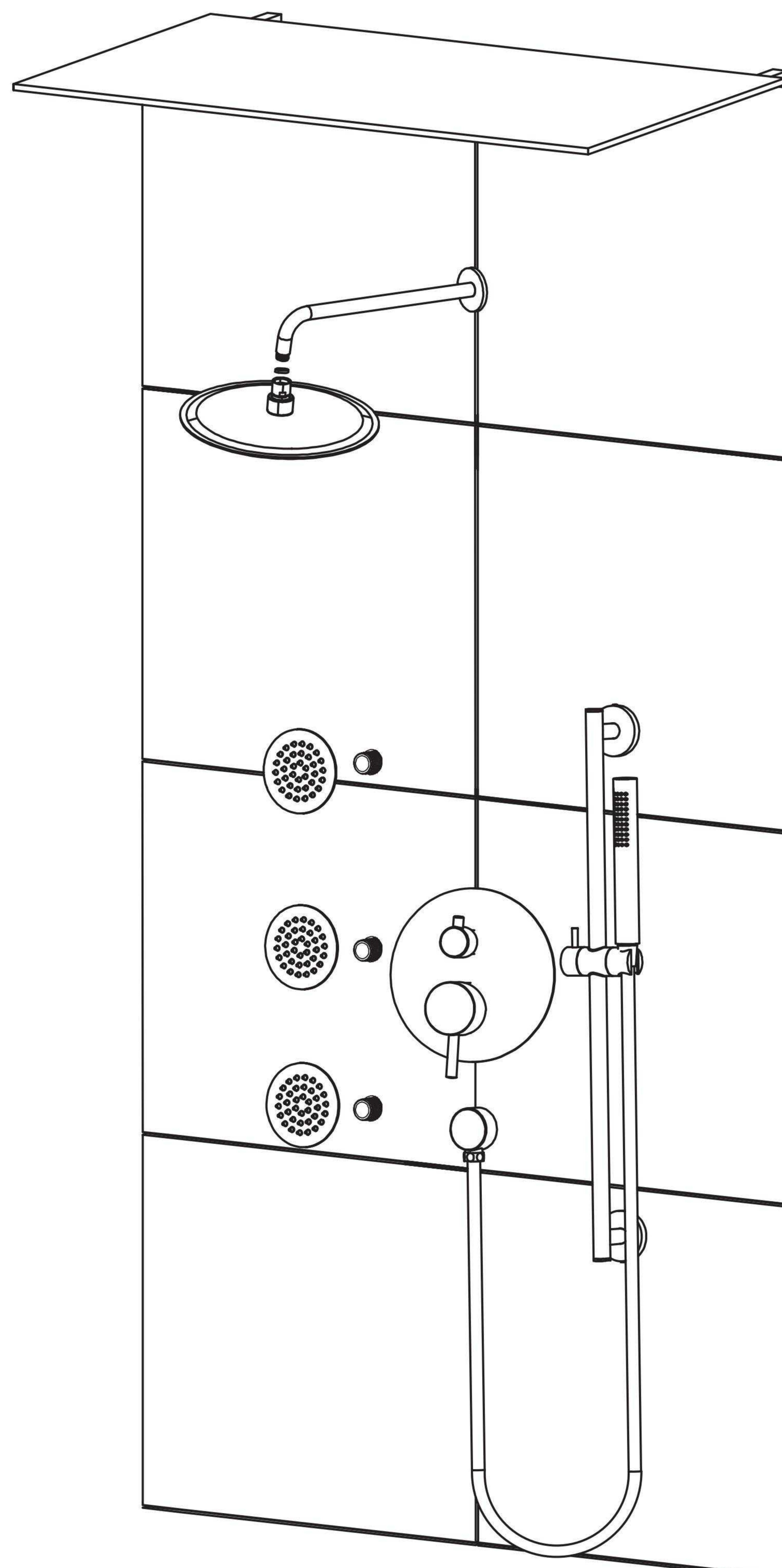
SLIDING BAR INSTALLATION



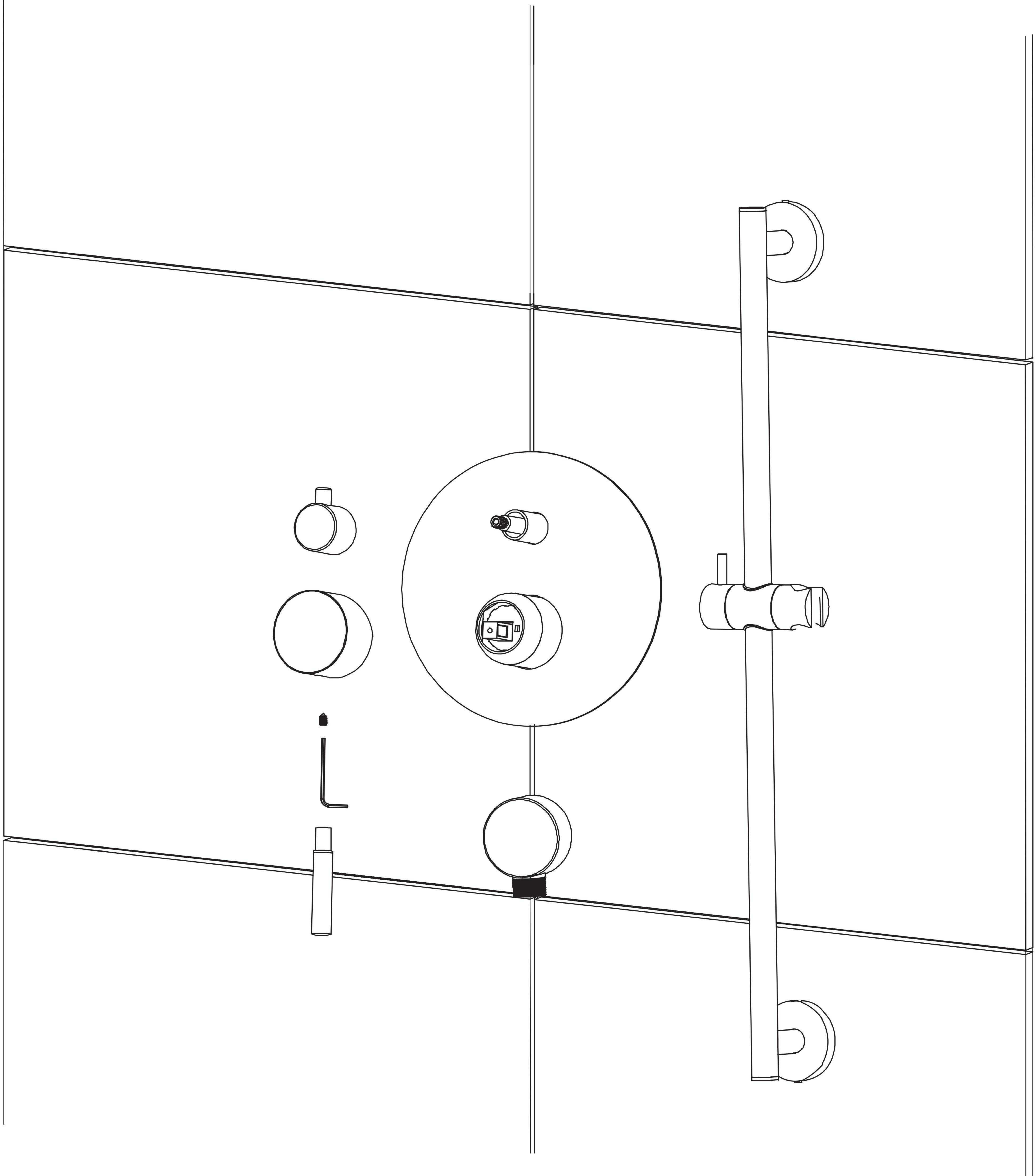
BODY JET INSTALLATION



Note: Wrap the threaded pipe of NPT1/2 with Teflon tape and screw it into the wall.



DIVERTER KNOB INSTALLATION

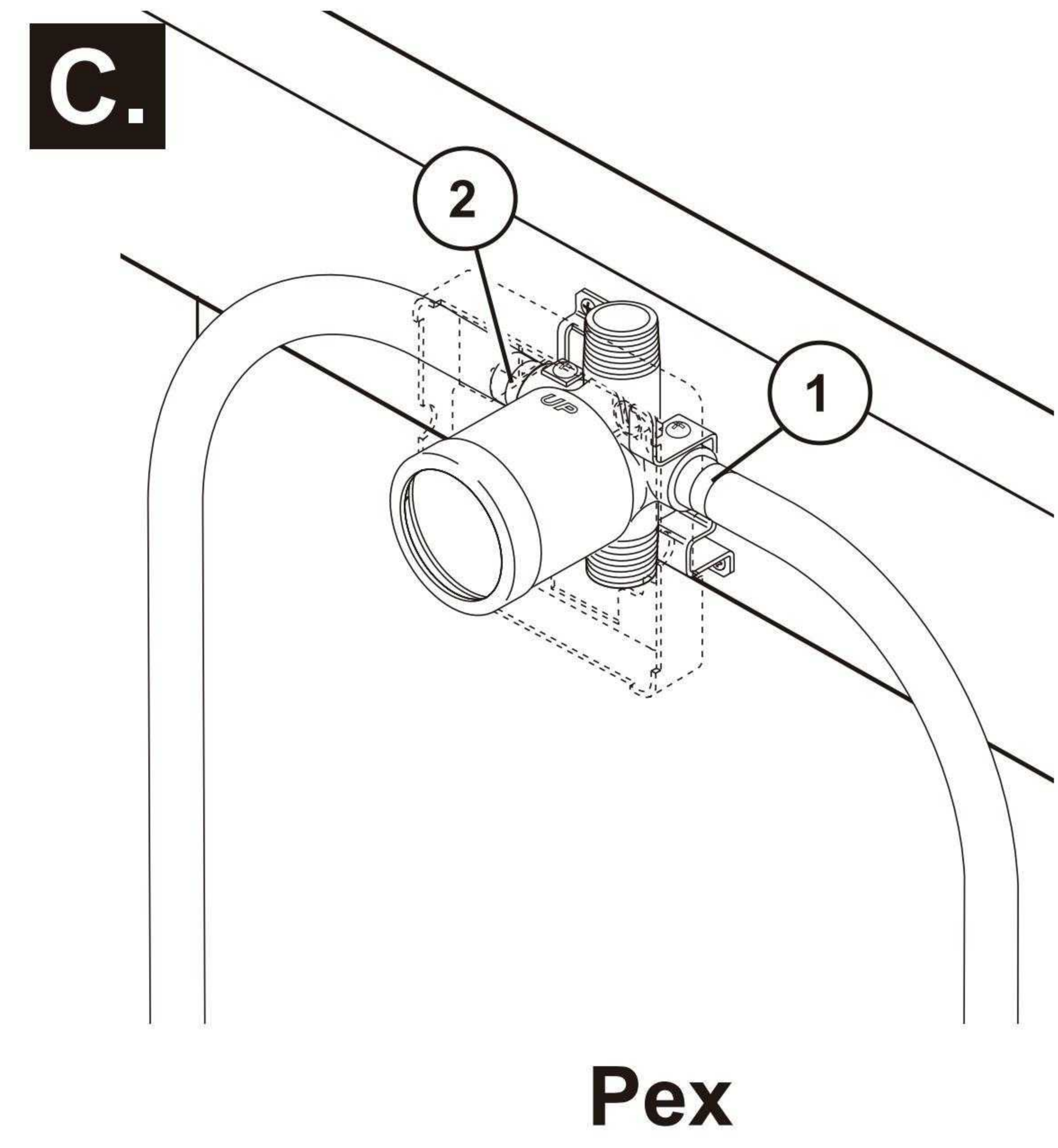
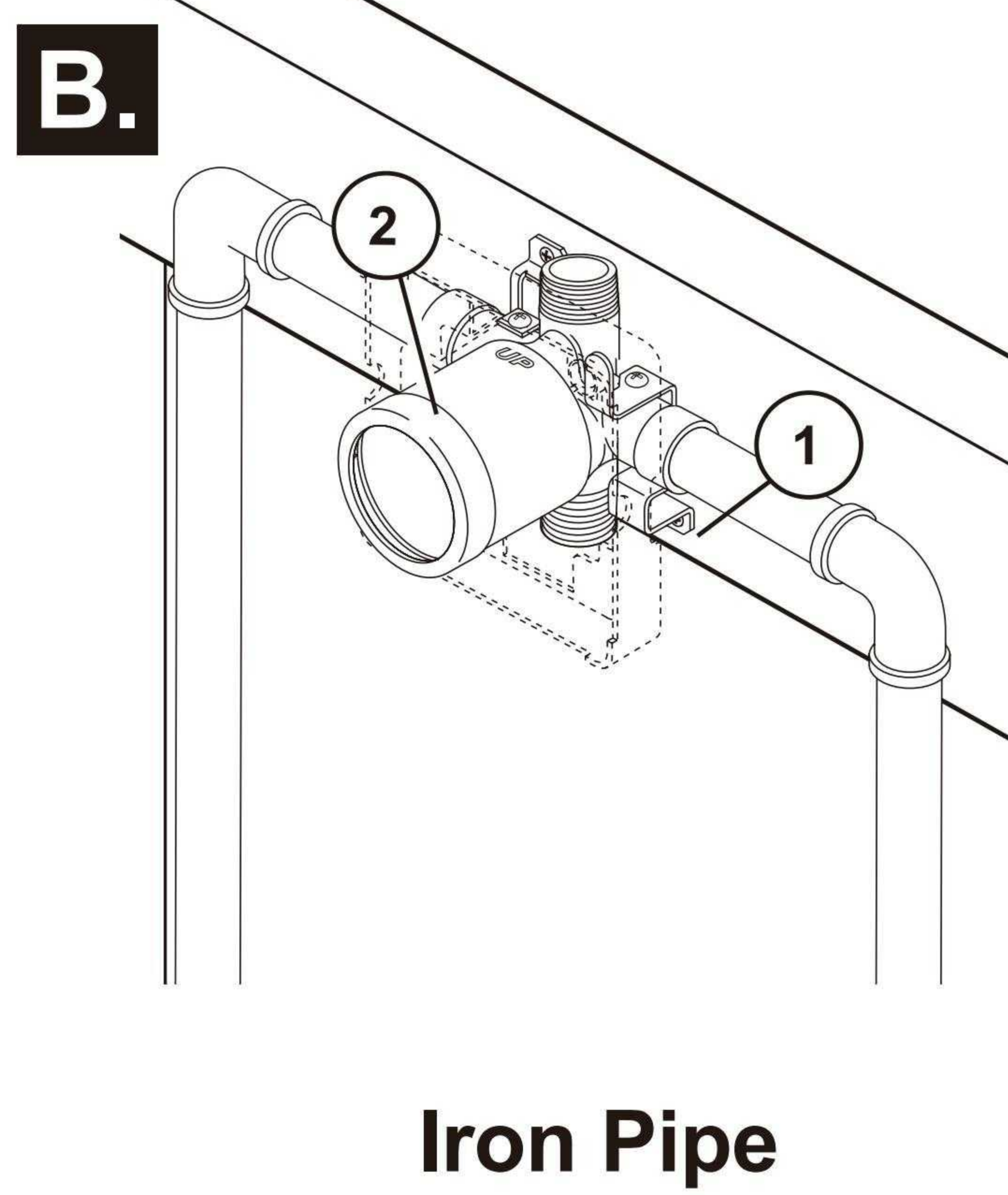
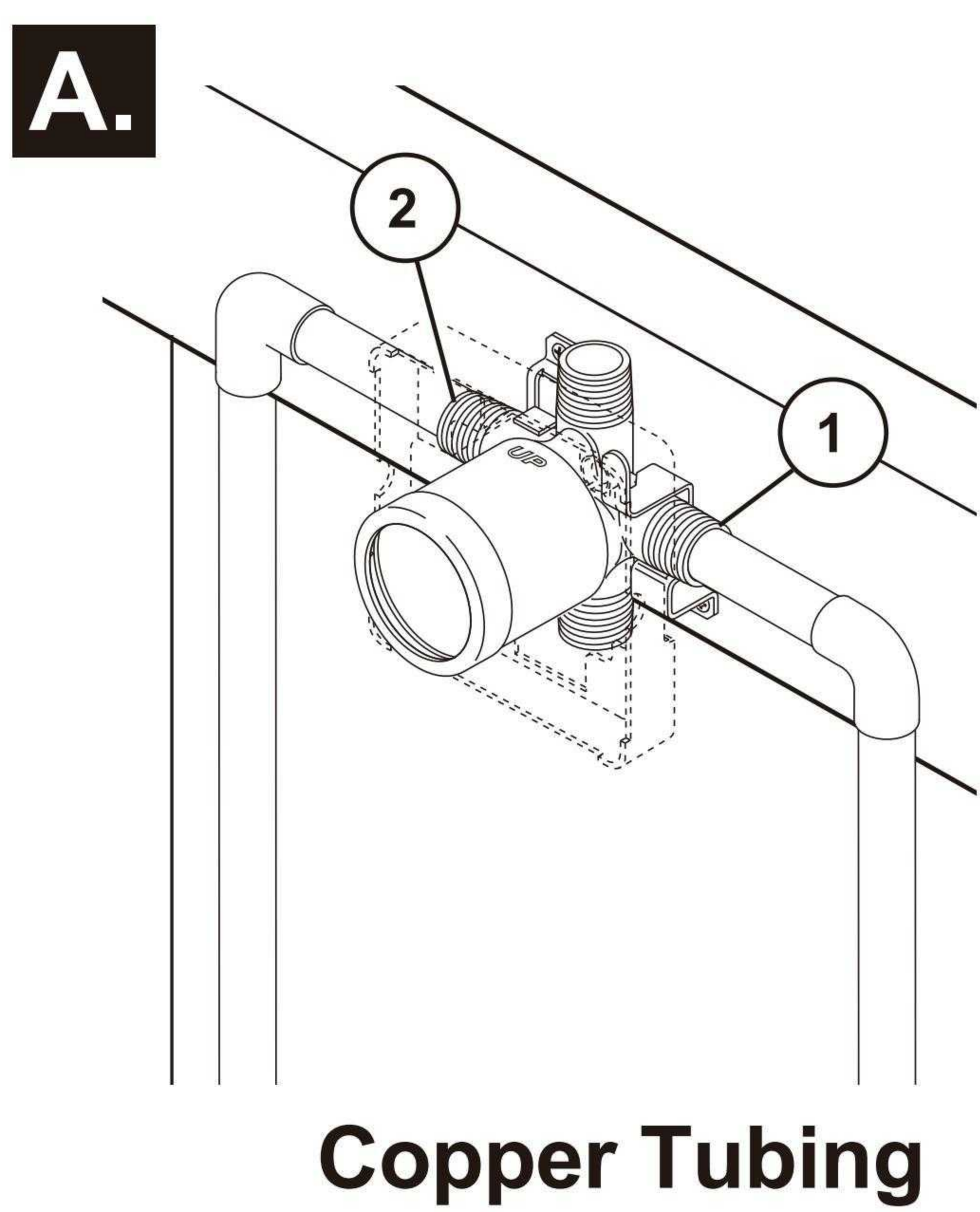


Note:



1. Take off protective cover on the valve, apply bead of quality sealant evenly along the back of metal plate.
2. Install the metal plate, diverter knobs and handle step by step.
3. Install the handle and knobs with screw and screw caps.

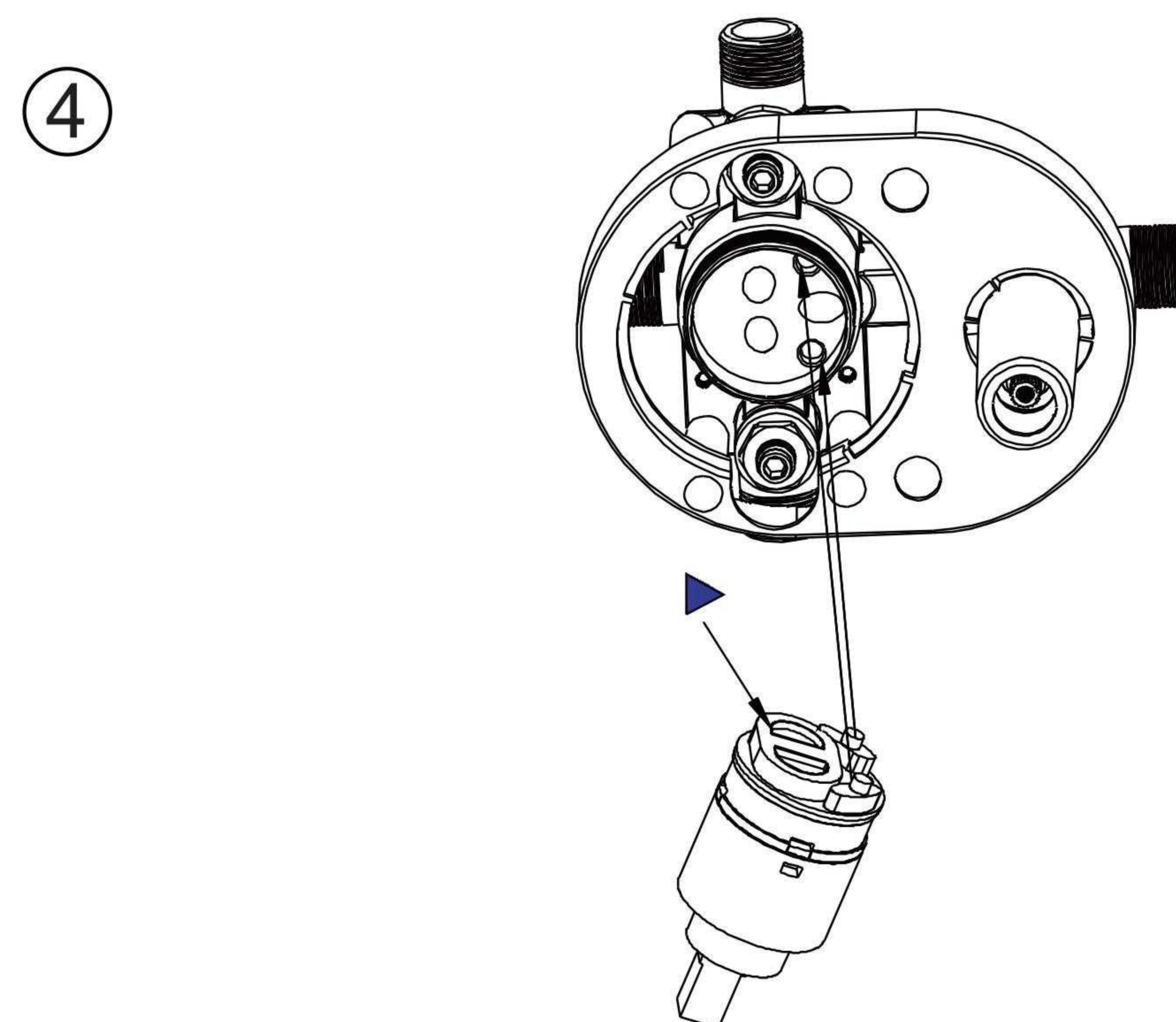
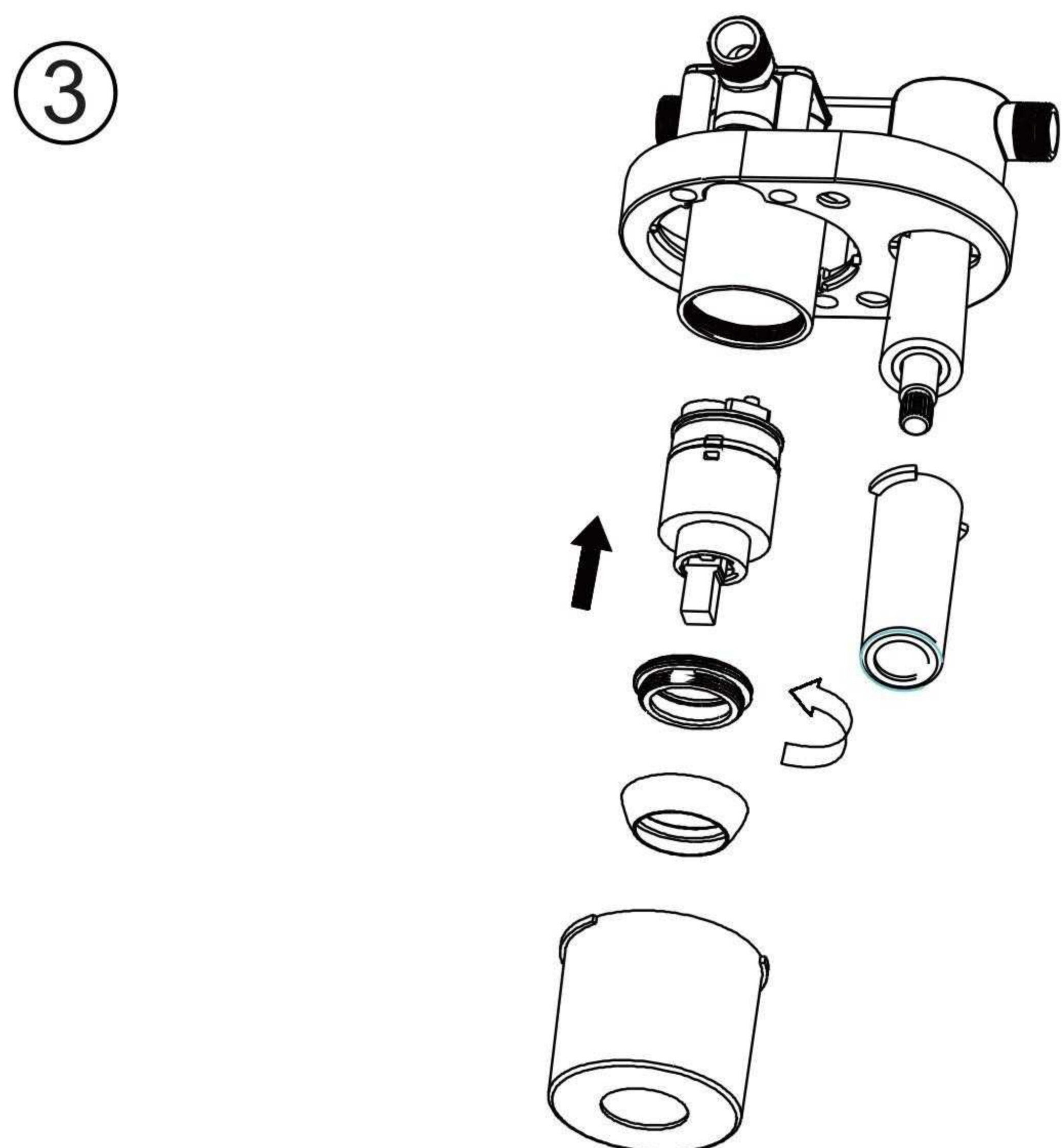
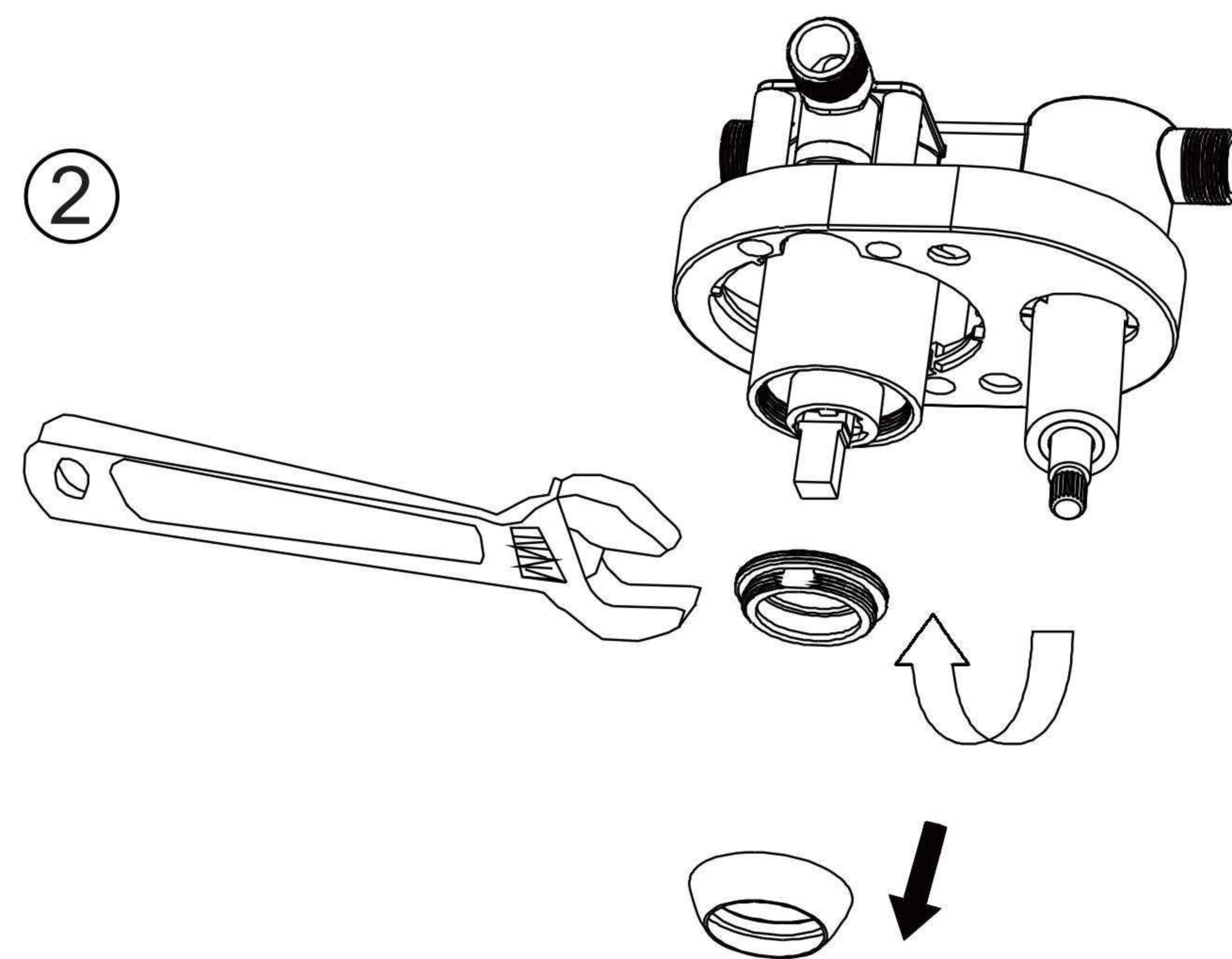
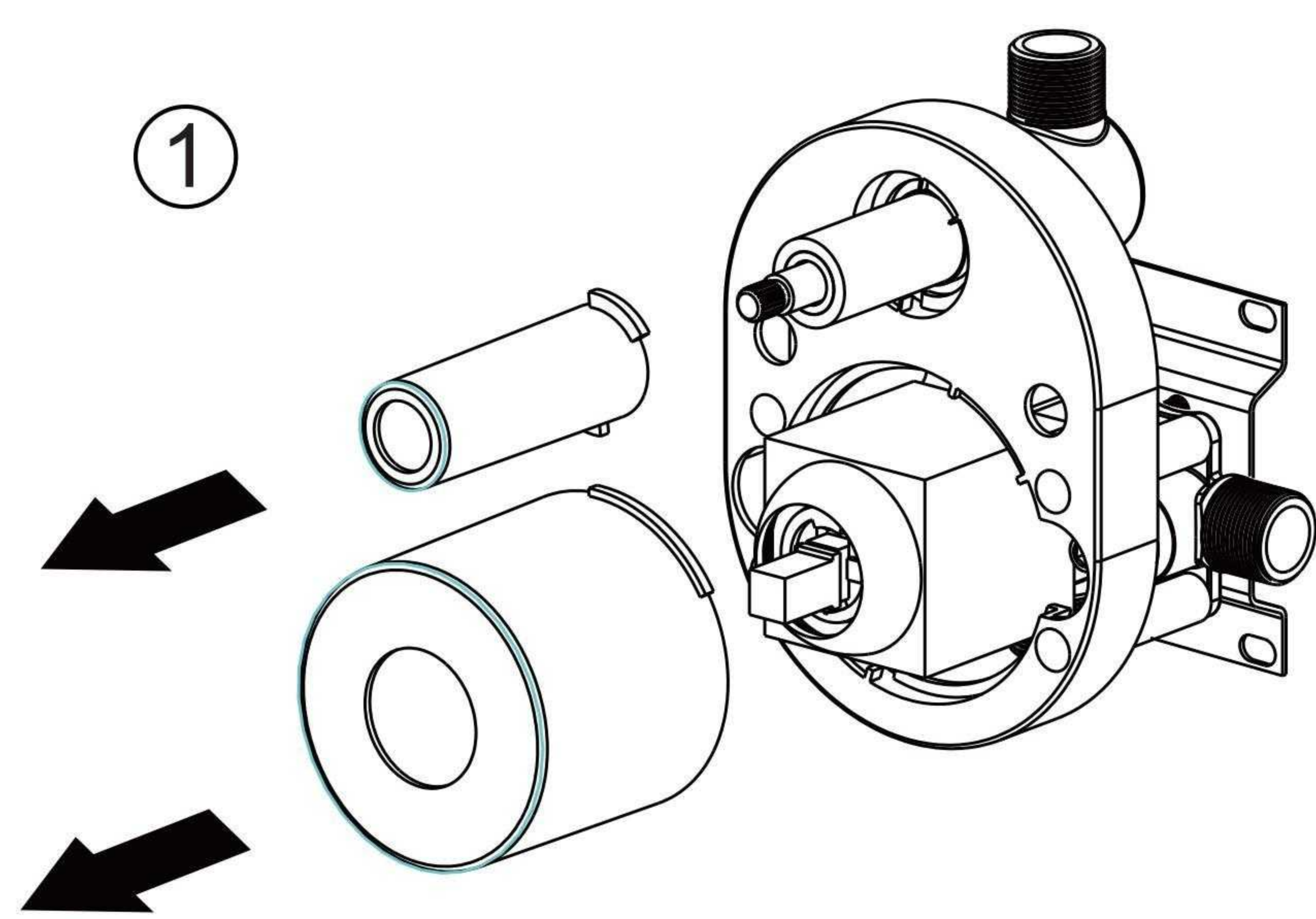
CONNECTION ADVICE



Note: (1) is the cold inlet port and (2) is the hot inlet port.

*The model shown in the installation steps may differ from the one in box however connection type and installation steps are the same.

COPPER PIPE SOLDERING JOINT (IF YOU USE)



Note: 1. For soldering joint, remove the plastic covers and valve cartridge first.

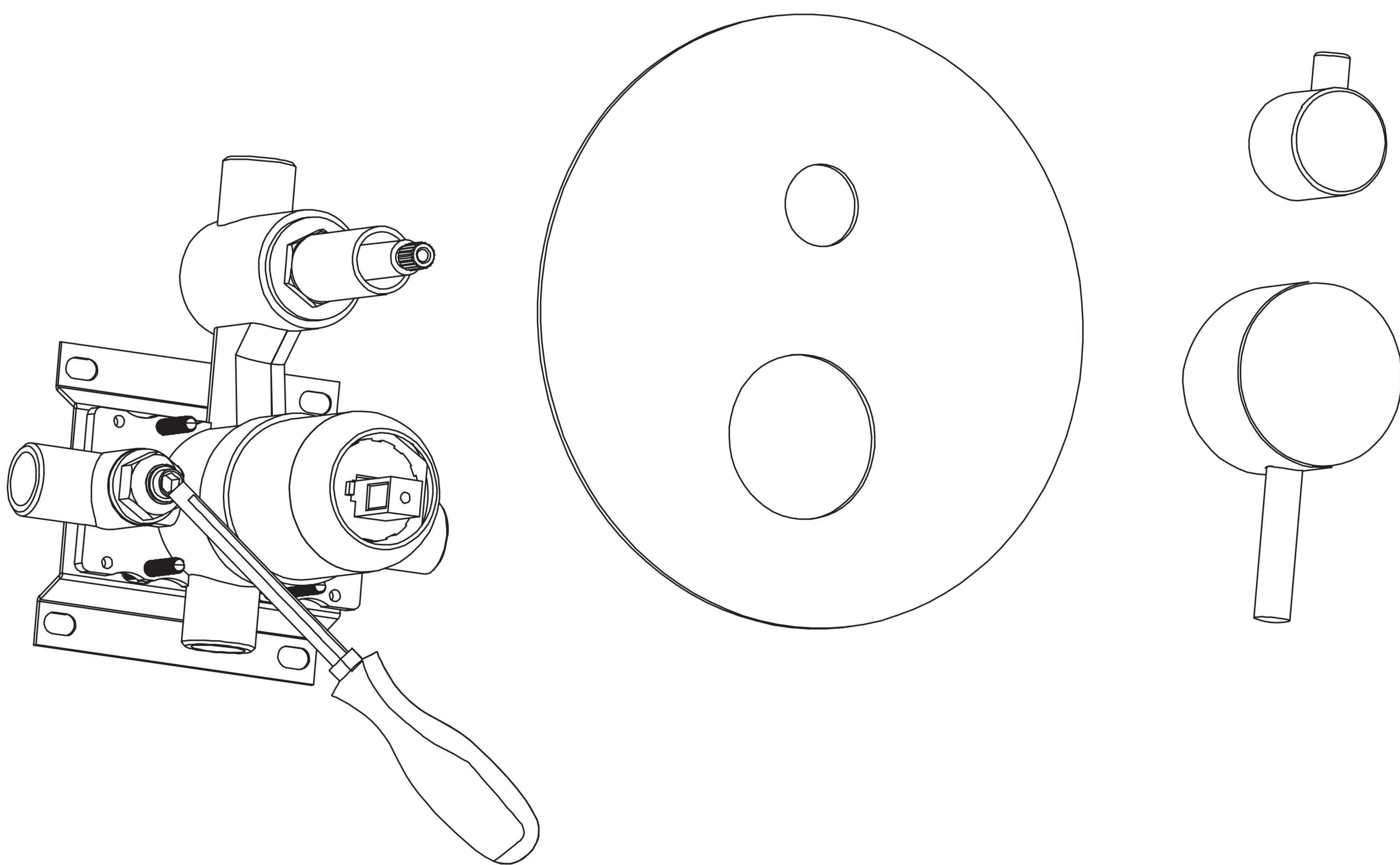
2. Soldering joint have high temperature, do not touch hot surfaces.

3. After connection please flush the system of debris for 30 seconds.

4. After flushing, install the cartridge and bonnet nut.

5. Make sure the cartridge is fully engaged with the slot and holes in the brass valve body.

SHOWER VALVE MAINTENANCE



Note: There are two flow regulator on the valve, to repair or maintain the valve faucet, first turn off the diverter knob. Then, remove the panel and turn the flow regulating valves until the water line is shut off.