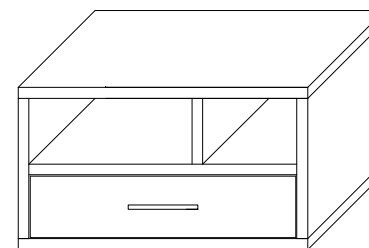
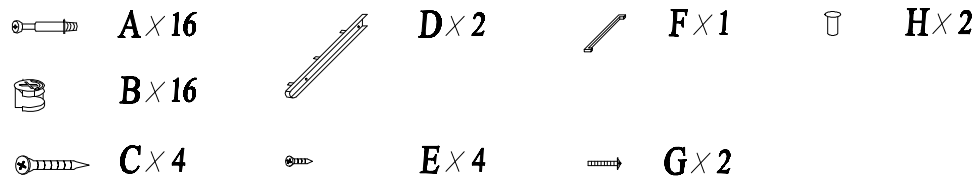
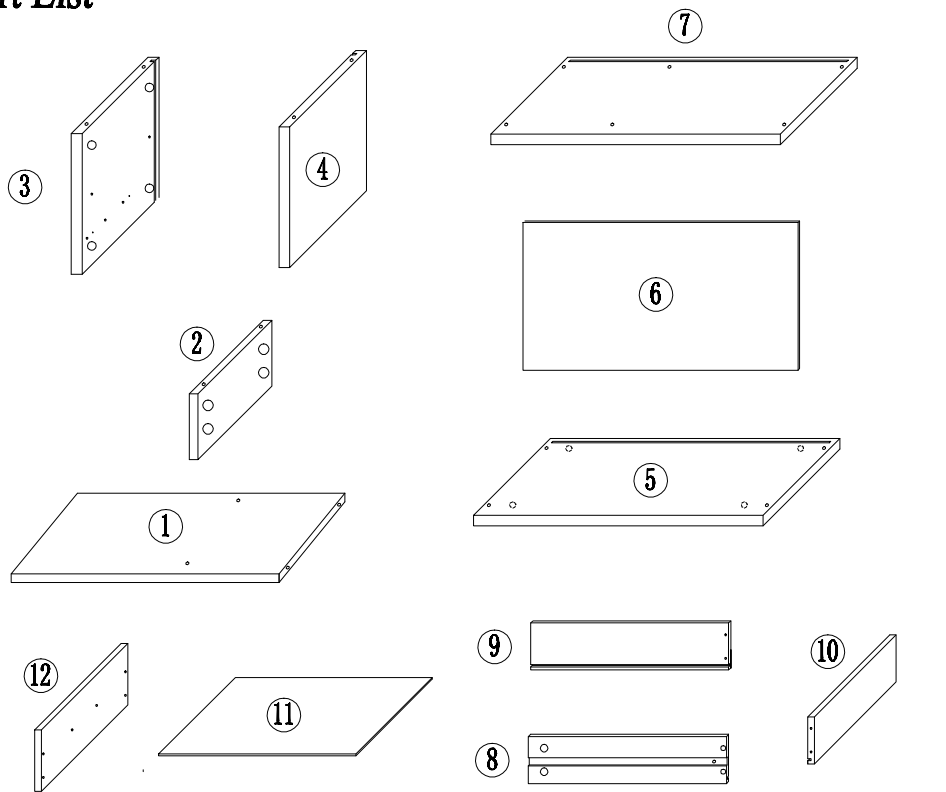
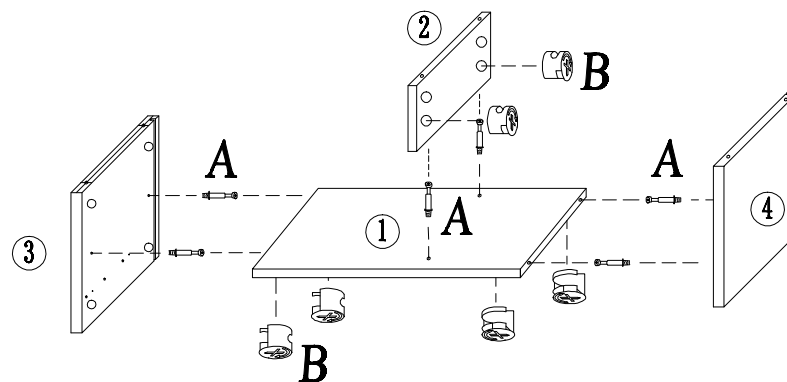


# Instruction Manual

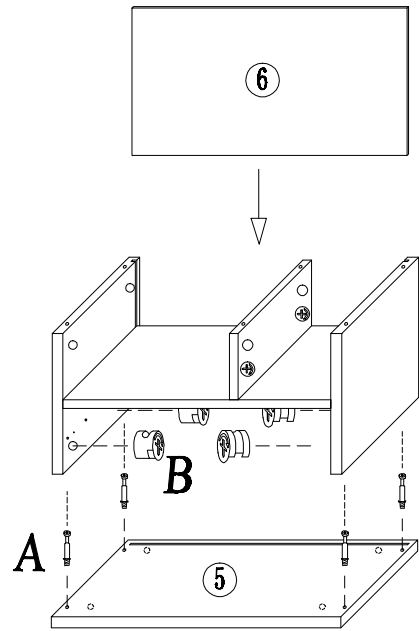
## Part List



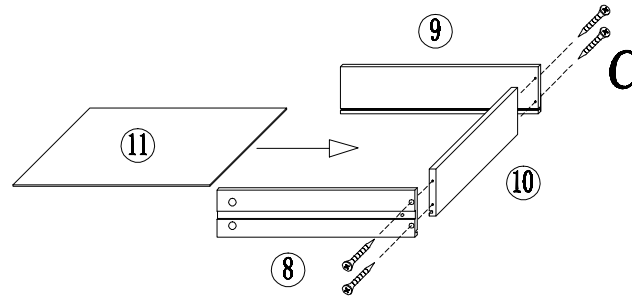
## Step 1



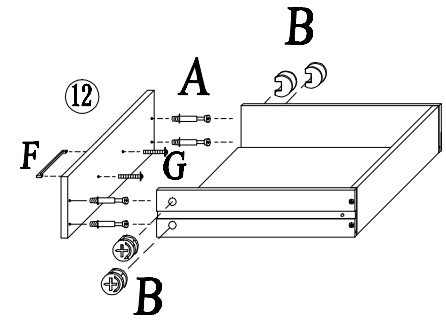
### Step2



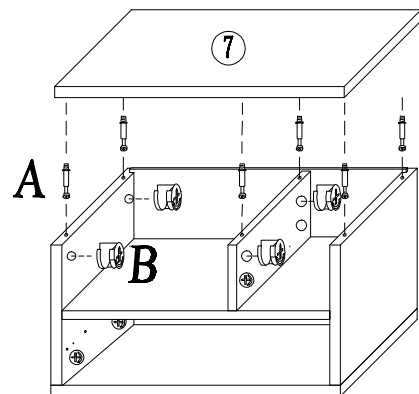
### Step4



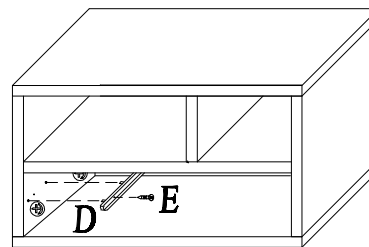
### Step5



### Step3



### Step6



### Step7

