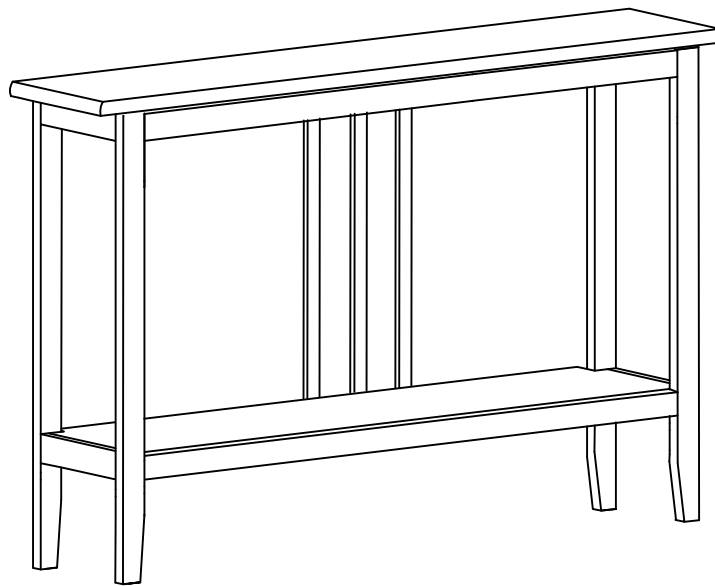


# ASSEMBLY INSTRUCTIONS

## Console Table



### NOTE TO CUSTOMERS:

- For ease and speed of assembly we recommend that before you commence each step of the assembly that you identify all the parts required to complete that step.
- We recommend that where possible you allow sufficient space to assemble the item as close as possible to the place where it will be once assembled.
- For the protection of your furniture we recommend that the product is placed on protected surfaces during assembly to prevent any damage.
- During assembly do not over tighten ,as this may damage the product.
- Please ensure you retain all the product packaging until the item completely assembled.
- Please periodically check all fittings and re-tighten as necessary.
- Never allow any liquids to remain on your furniture as absorption can cause the wood to warp or the finish to de-laminate.
- It is recommended that this item should be assembled by two adults.

To insert a cam lock: (Please read below instructions before assembling)







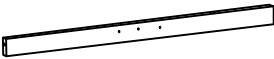




	<p>Diagram A</p>	<p>1. Insert cam screw into hole as shown in diagram A .</p>
	<p>Diagram B</p>	<p>Make sure not to insert the cam screw: Too deep as shown in figure B as this will cause the cam screw to be misaligned and unable to interlock properly.</p>
	<p>Diagram C</p>	<p>Also avoid inserting the cam screw too close to the surface of the hole as shown in figure C, as this will cause the cam lock to be too loose, and not interlock properly.</p>

	<p>2. Connect the panels together.</p>
	<p>3. When inserting the cam lock make sure the arrow of the cam lock faces the cam screw.</p>
	<p>4. To tighten the cam lock turn the cam lock clockwise 90-180 degree or until the arrow is facing opposite the place cam lock was inserted.</p> <p><b>NOTE: DO NOT USE AN AUTOMATIC SCREWDRIVER TO TIGHTEN CAM LOCKS.</b></p>

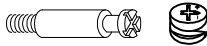
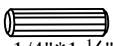



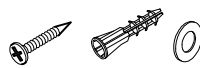
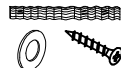
**Note:**

- Read these instructions carefully before assembling.
- Tools required : Phillips screwdriver, flat screwdriver.
- Find a clean, smooth area on which to work , such as a carpet, in order to avoid scratching the wood surfaces.
- Wait to dispose of the packing material until assembly is complete and all parts and hardware are accounted for.
- Two or more people might be required for assembly.

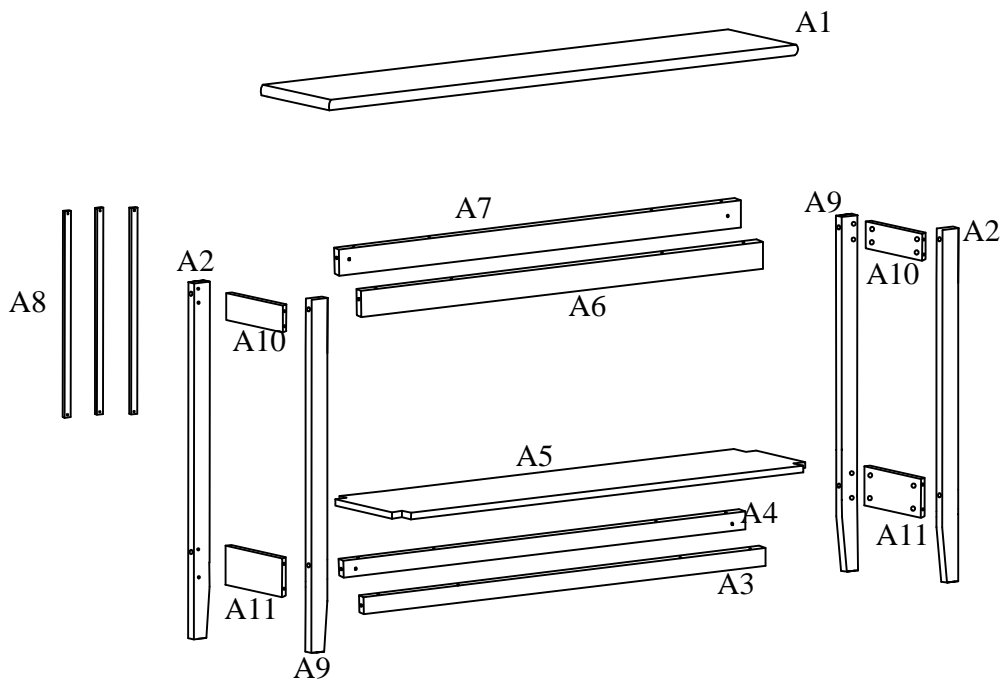
# Part List

<p>A1 <span style="float: right;">Quantity of 1</span></p>  <p>Top Panel</p>	<p>A2 <span style="float: right;">Quantity of 2</span></p>  <p>Side Panel</p>	<p>A3 <span style="float: right;">Quantity of 1</span></p>  <p>Apron (Lower)</p>
<p>A4 <span style="float: right;">Quantity of 1</span></p>  <p>Apron(Lower)</p>	<p>A5 <span style="float: right;">Quantity of 1</span></p>  <p>Shelf Panel</p>	<p>A6 <span style="float: right;">Quantity of 1</span></p>  <p>Apron(Upper)</p>
<p>A7 <span style="float: right;">Quantity of 1</span></p>  <p>Apron (Upper)</p>	<p>A8 <span style="float: right;">Quantity of 3</span></p>  <p>Center Connect Bar</p>	<p>A9 <span style="float: right;">Quantity of 2</span></p> 
<p>A10 <span style="float: right;">Quantity of 2</span></p>  <p>Upper Connect Bar</p>	<p>A11 <span style="float: right;">Quantity of 2</span></p>  <p>Lower Connect Bar</p>	

# Hardware List

<p>B1</p> <p style="text-align: center;">Quantity of 20</p>  <p>Camlock</p>	<p>B2</p> <p style="text-align: center;">Quantity of 8</p>  <p style="text-align: center;">1/4"*1-1/4"</p> <p>Wood Dowel</p>	<p>B3</p> <p style="text-align: center;">Quantity of 4</p>  <p style="text-align: center;">1/8"*1-1/4"</p> <p>Screw</p>	<p>B4</p> <p style="text-align: center;">Quantity of 6</p>  <p style="text-align: center;">1/8"*3/4"</p> <p>Screw</p>
<p>B5</p> <p style="text-align: center;">Quantity of 8</p>  <p>Bolt with Nut</p>	<p>B6</p> <p style="text-align: center;">Quantity of 1</p>  <p style="text-align: center;">1/8"*1-1/4"</p> <p>Anchor with screw</p>	<p>B7</p> <p style="text-align: center;">Quantity of 1</p>  <p>Anti-tip kit</p>	

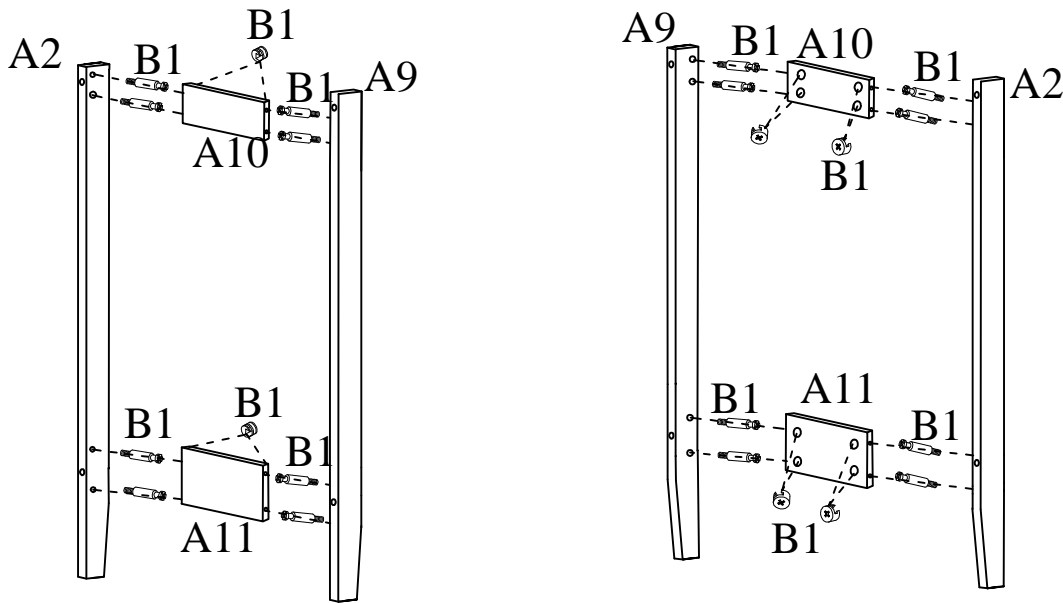
# Part List



# Step 1:

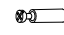



# Assembly Instructions

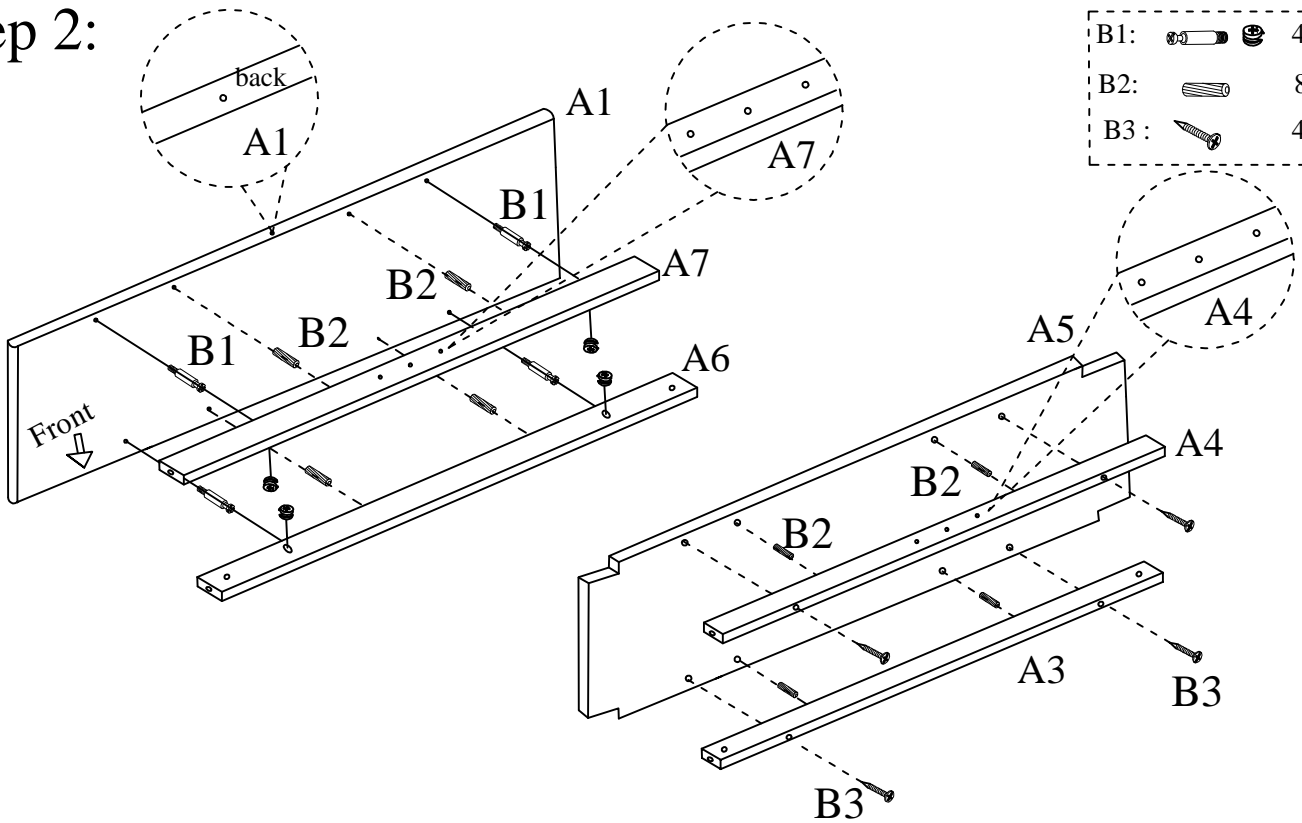
B1:   16sets



Assemble Upper Connect Bars A10 & Lower Connect Bars A11 to Legs A2 & A9 using Cam-locks B1 as shown above.

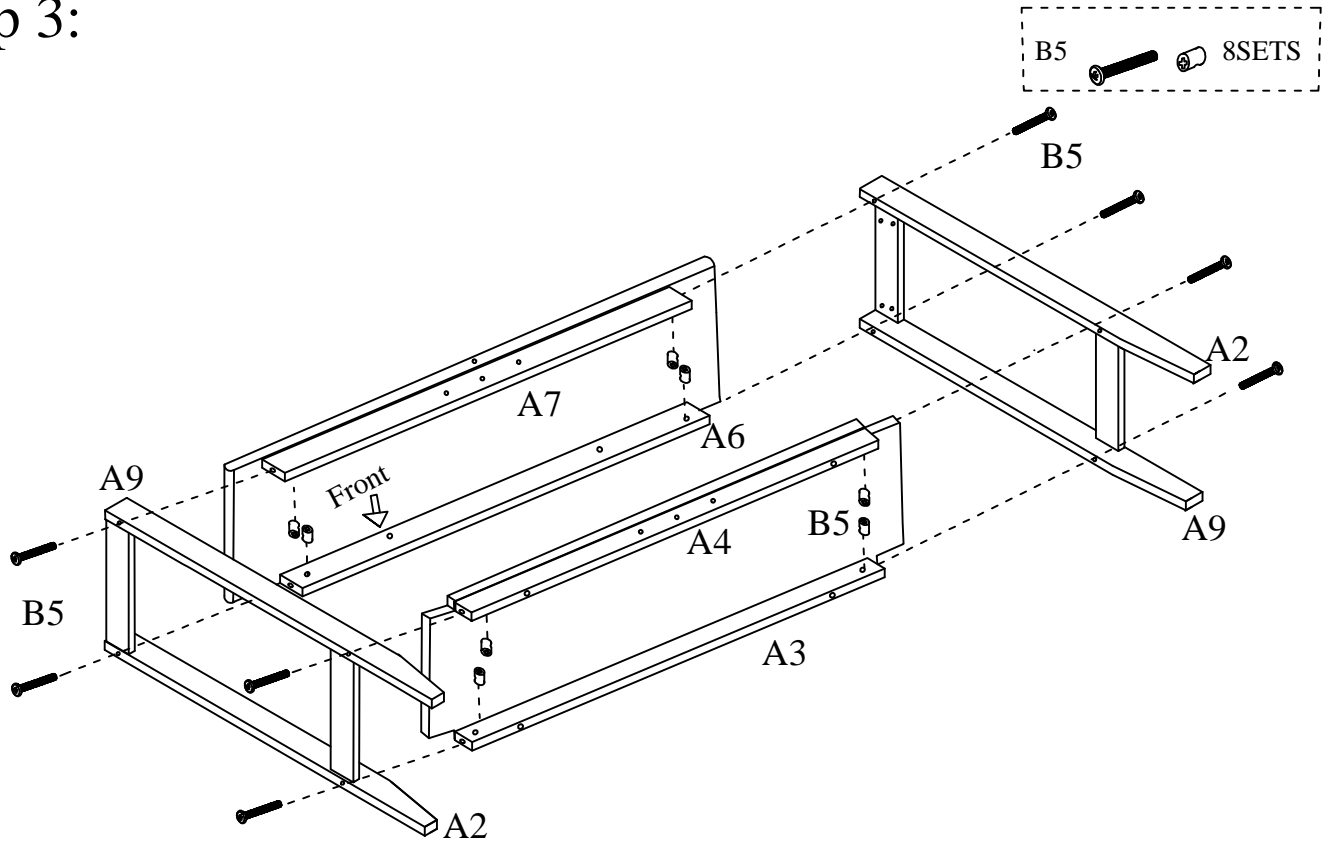
# Step 2:

B1:   4sets  
 B2:  8pcs  
 B3:  4pcs



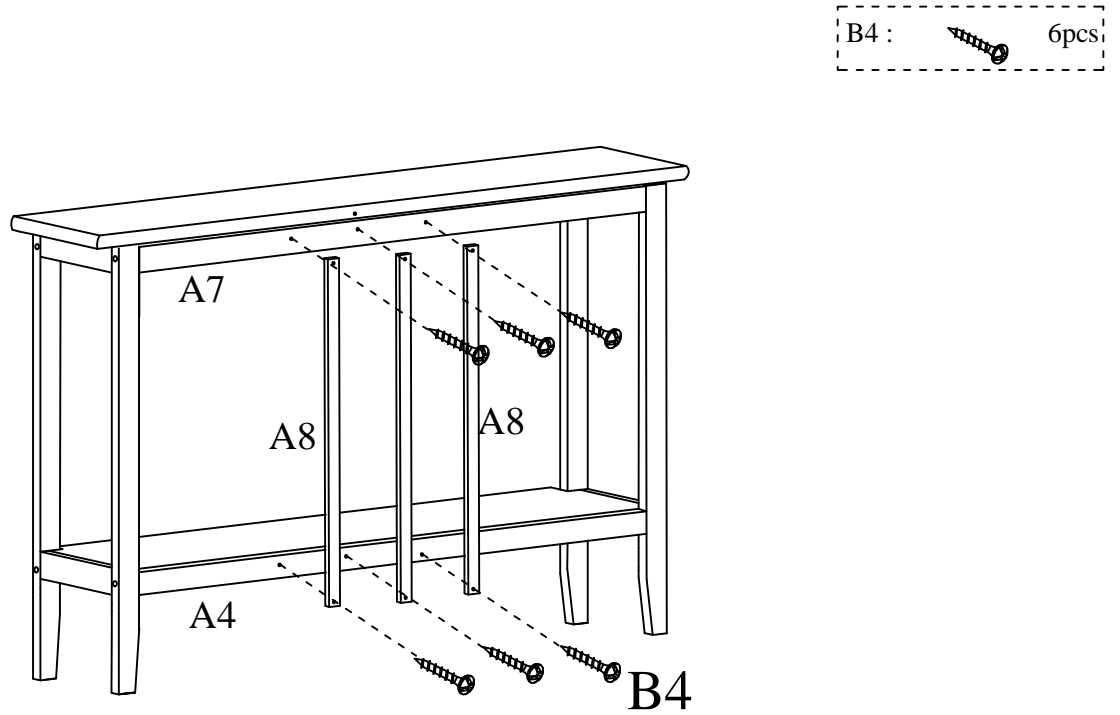
Assemble Upper Aprons A6 & A7 to Top Panel A1 using Cam-locks B1 & Wood Dowels B2, then assemble Lower Aprons A3 & A4 to Shelf Panel A5 using Wood Dowels B2 & Screws B3 as shown above.

### Step 3:



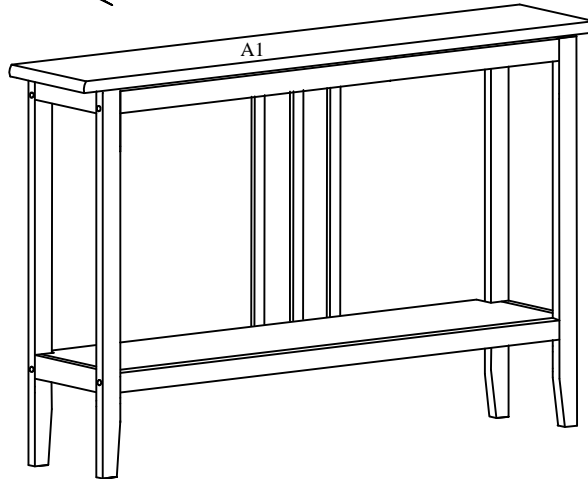
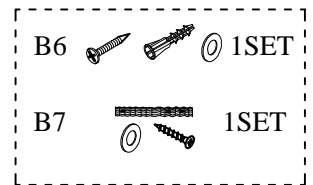
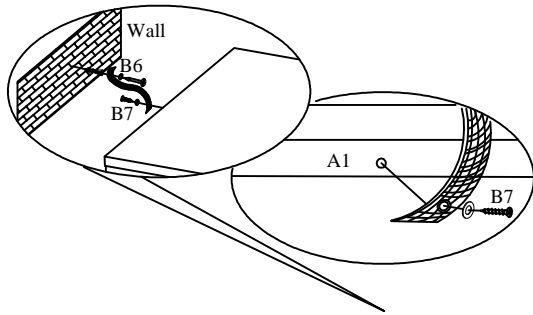
Assemble Legs A2&A9 to Aprons A3 & A4 & A6 & A7 using Bolts with Nuts B5 as shown above.

### Step 4:



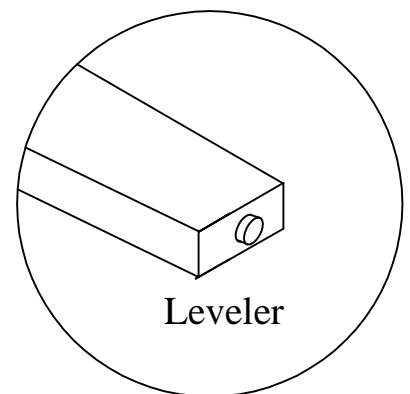
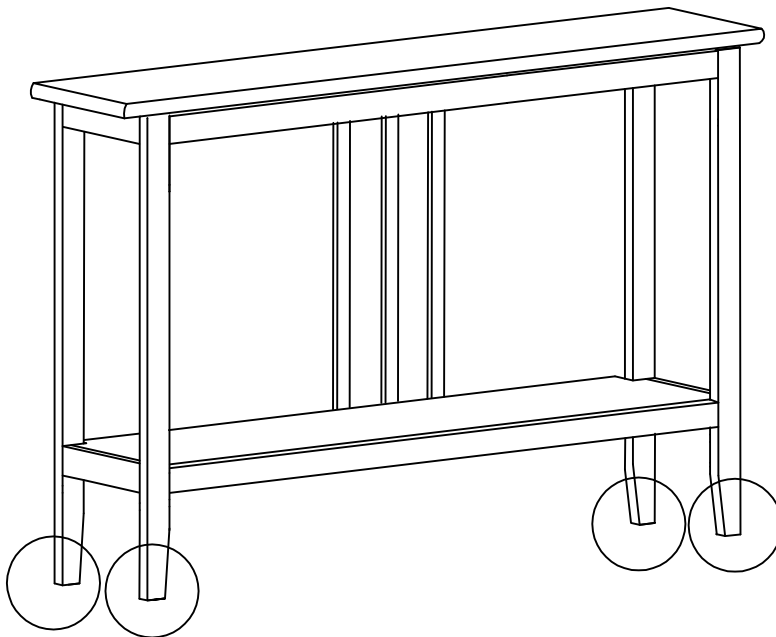
Assemble Center Connect Bars A8 to Back Connect Bars A4 & A7 using Screws B4 as shown above.

## Step 5:



For your safety, attach this unit to the wall with Anchor, screw B6 and Anti-tip kit B7.

## Step 6:



Note: Adjust levelers if unit is not stable.