

# Assembly Instructions

90971 Rustic Corner - White with Grey Top

90972 Rustic Corner - Natural

90973 Rustic Corner - Antique White

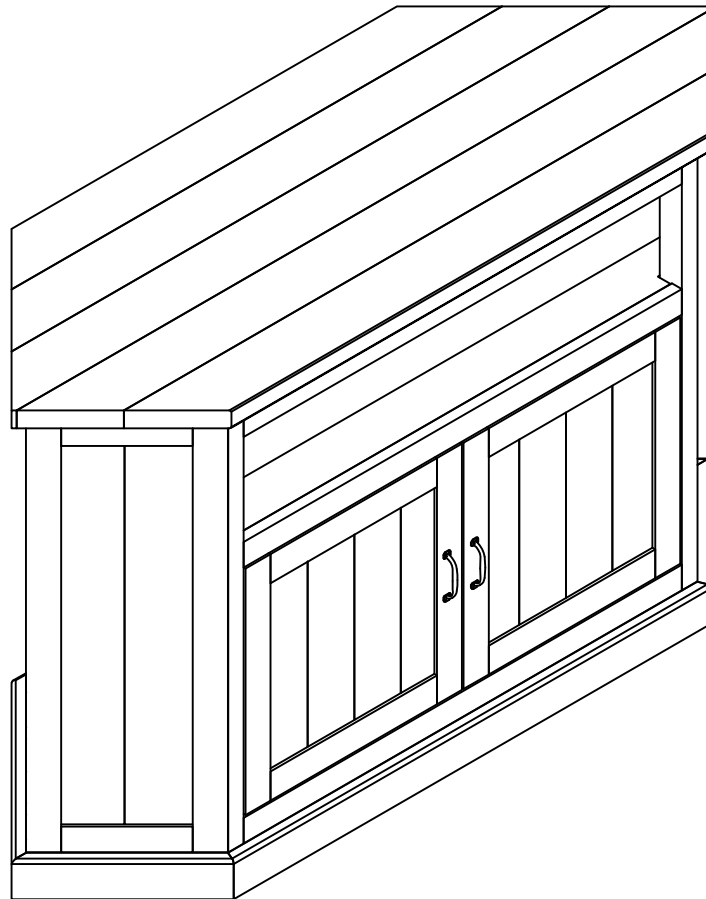
90975 Rustic Corner - Antique Black / Honey

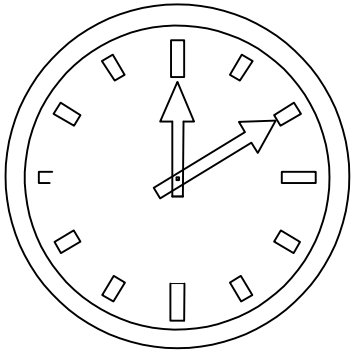
90976 Rustic Corner - Antique White / Honey

90978 Rustic Corner - Espresso

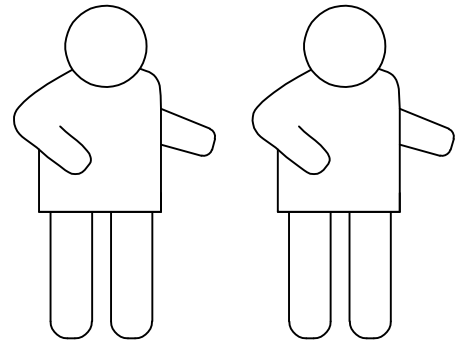
90979 Rustic Corner - Grey

**Product Issues? Please Call Us Before Contacting Your Retailer At  
1-800-549-3300, email [customerservice@mshome.co](mailto:customerservice@mshome.co), or visit [www.mshome.co](http://www.mshome.co)  
We can help with Assembly Issues, Part Requests, Damages, & All Other  
Product Related Questions**

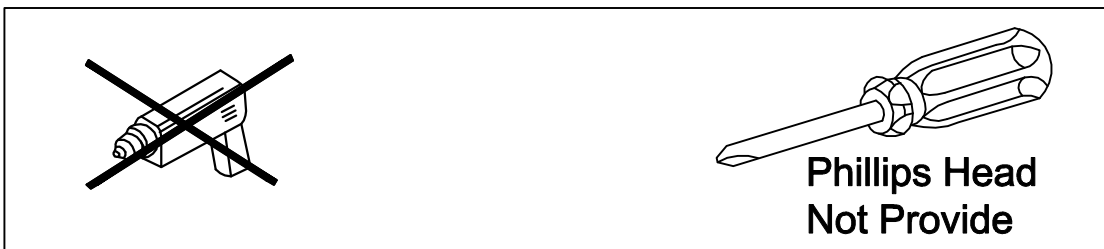
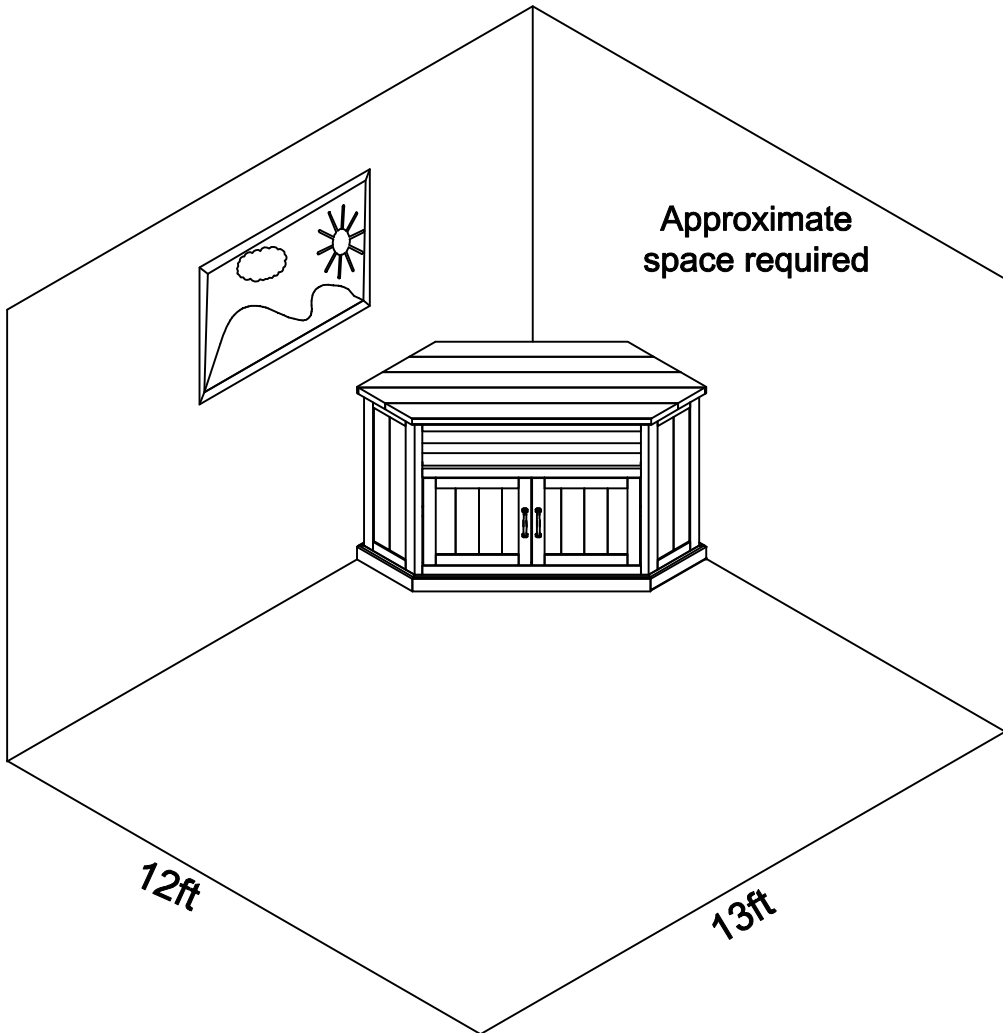




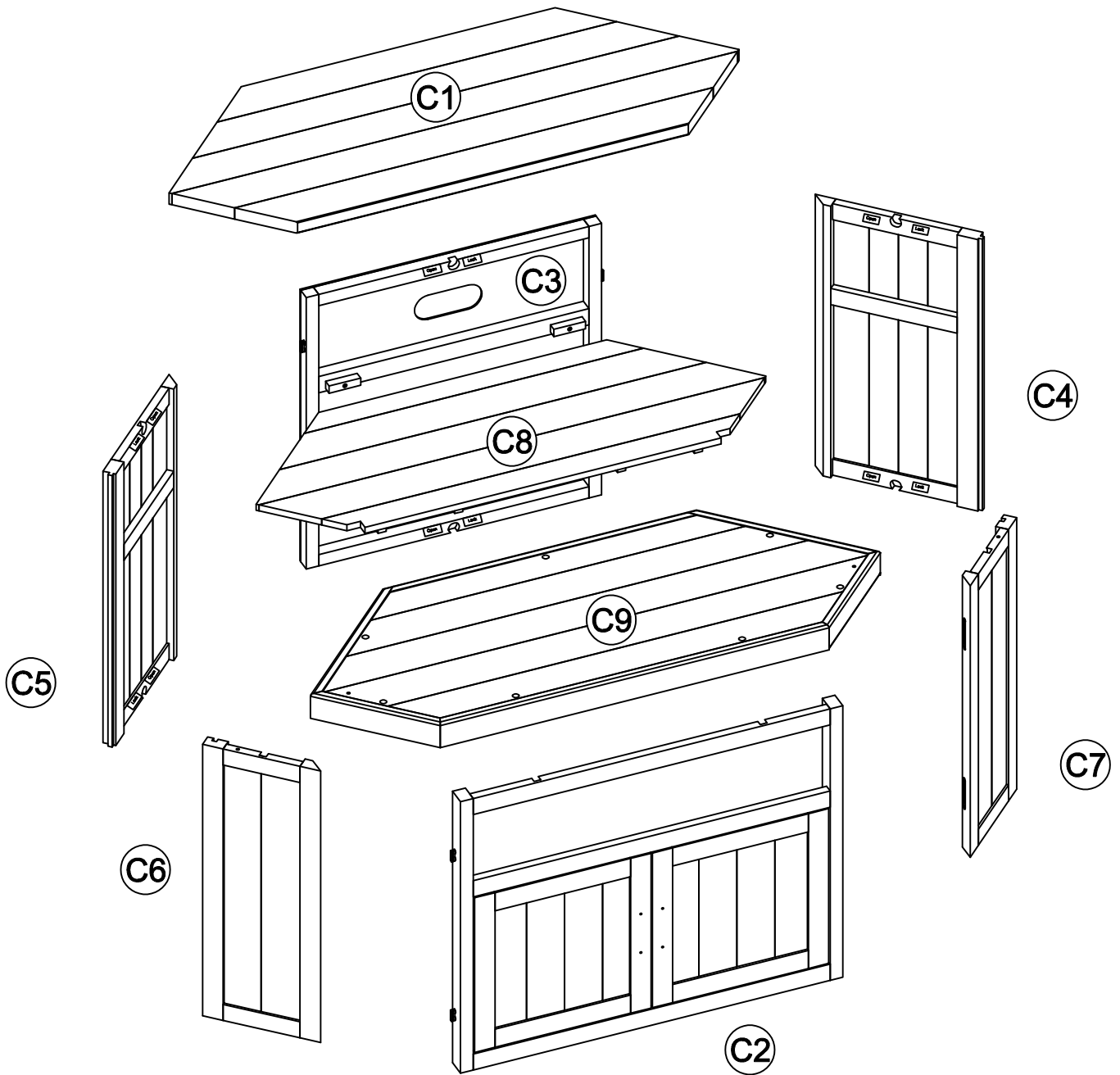
10 min

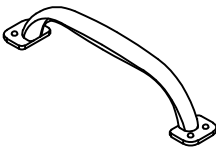
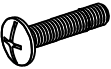
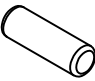
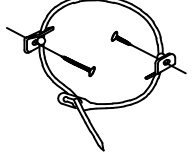


Two Person Required

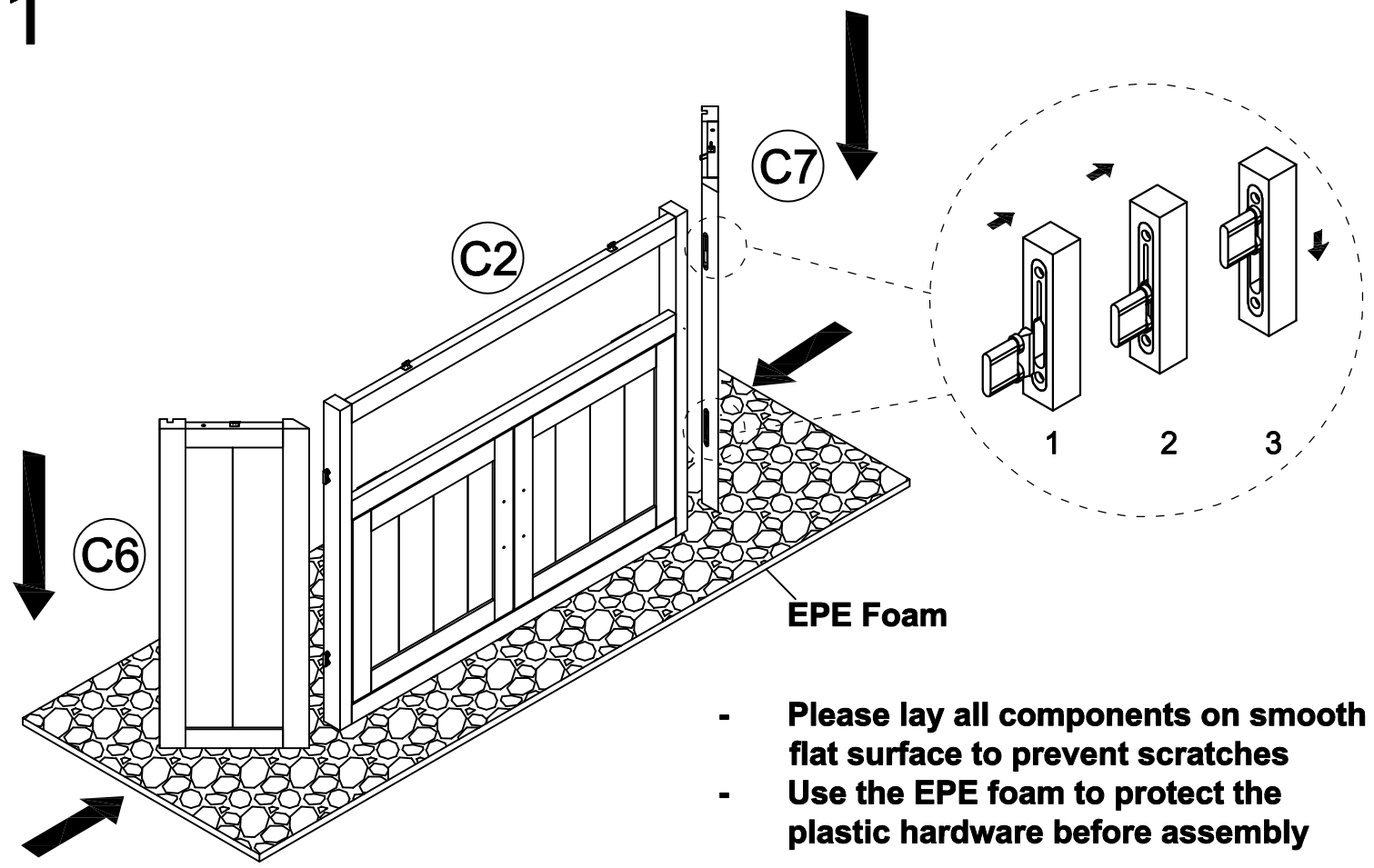


Phillips Head  
Not Provide



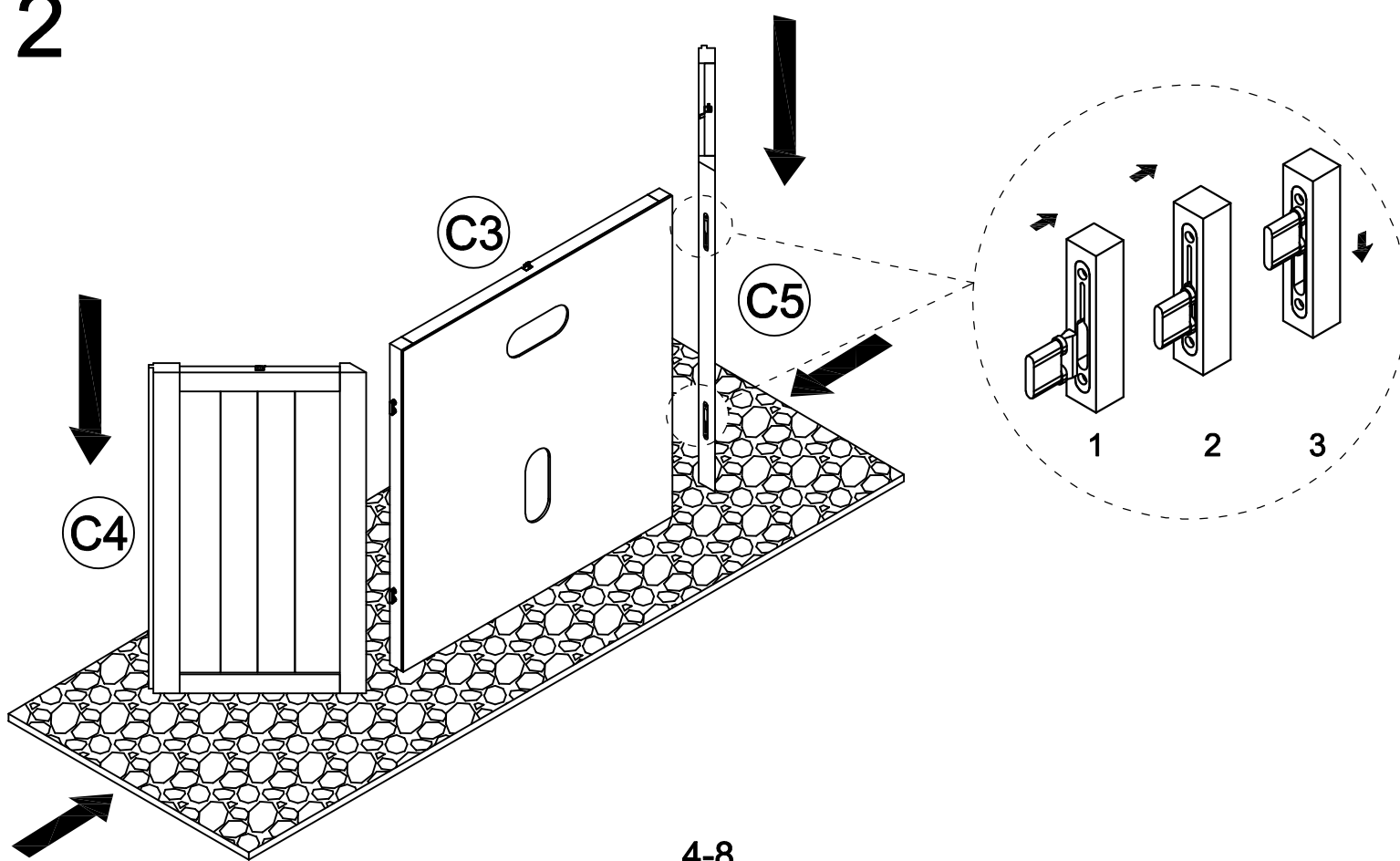
<p><b>A</b></p>  <p>2 pcs</p>	<p><b>B</b></p>  <p>Ø4x25 (mm): 4 pcs</p>	<p><b>C</b></p>  <p>Ø8x30: 4 pcs</p>
 <p><b>ANTI-TIP SET</b></p>		

1

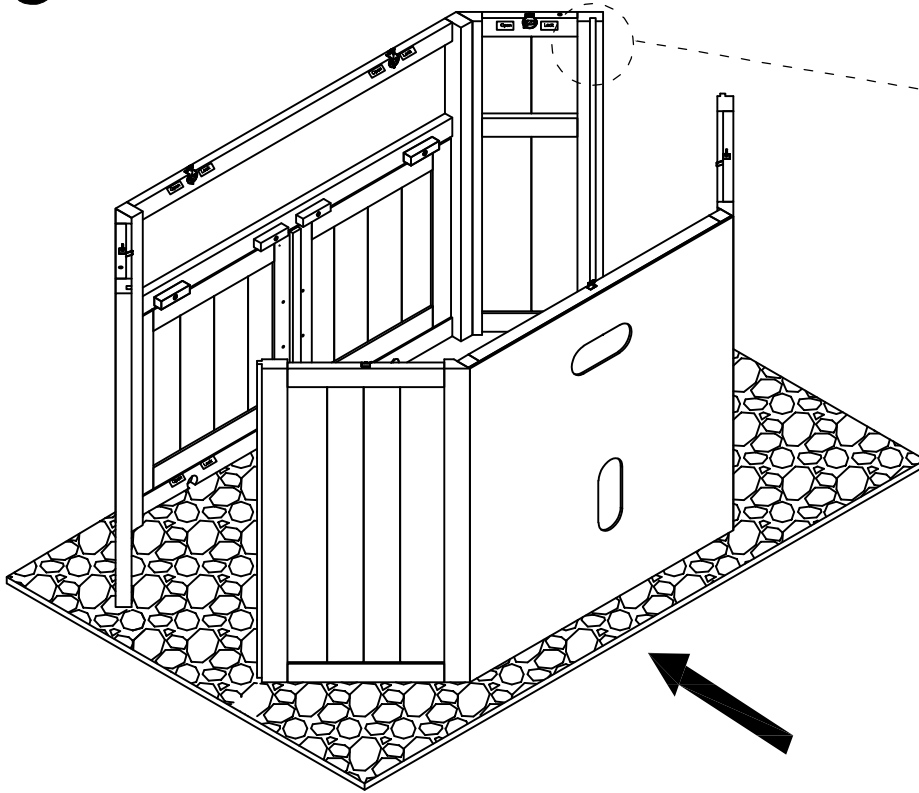


- Please lay all components on smooth flat surface to prevent scratches
- Use the EPE foam to protect the plastic hardware before assembly

2

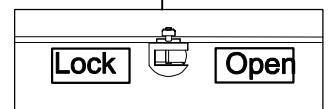
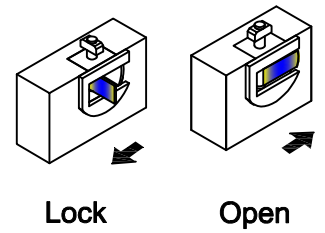
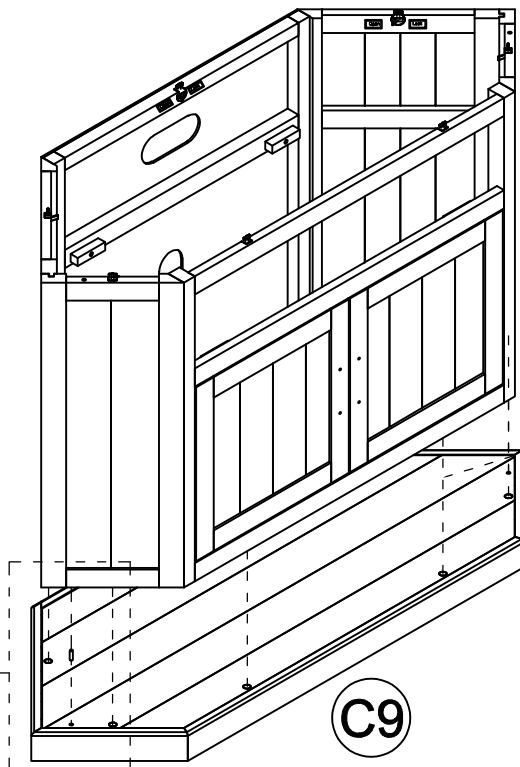
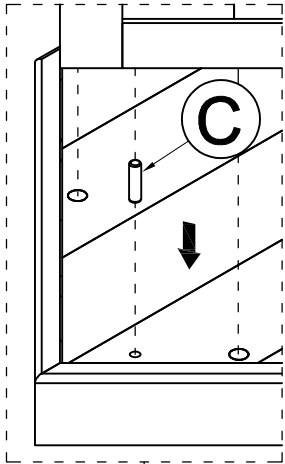
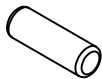


3



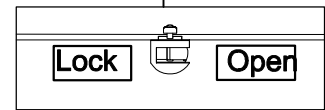
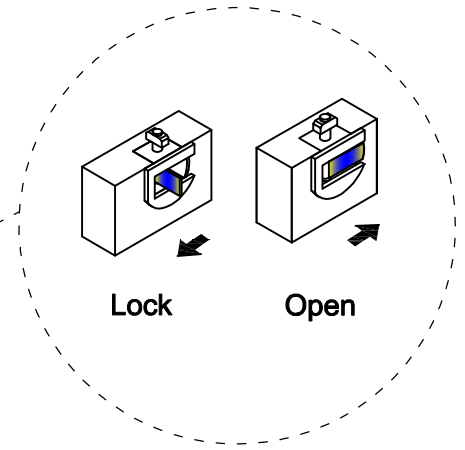
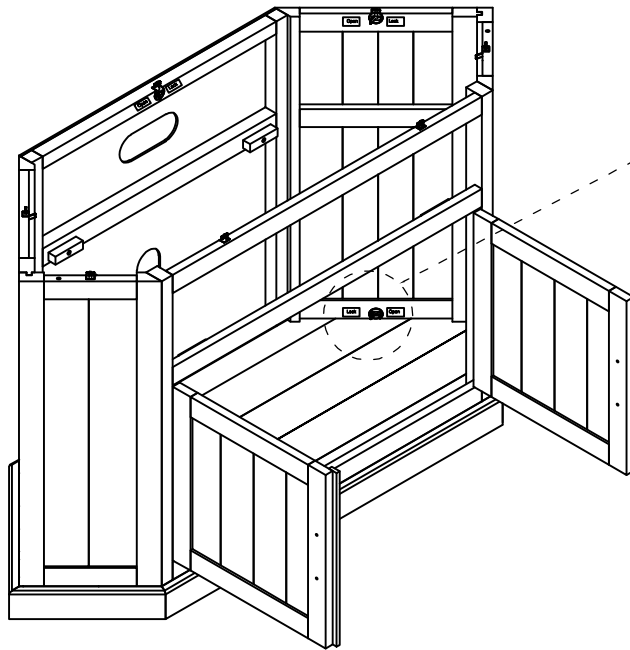
4

C x 2



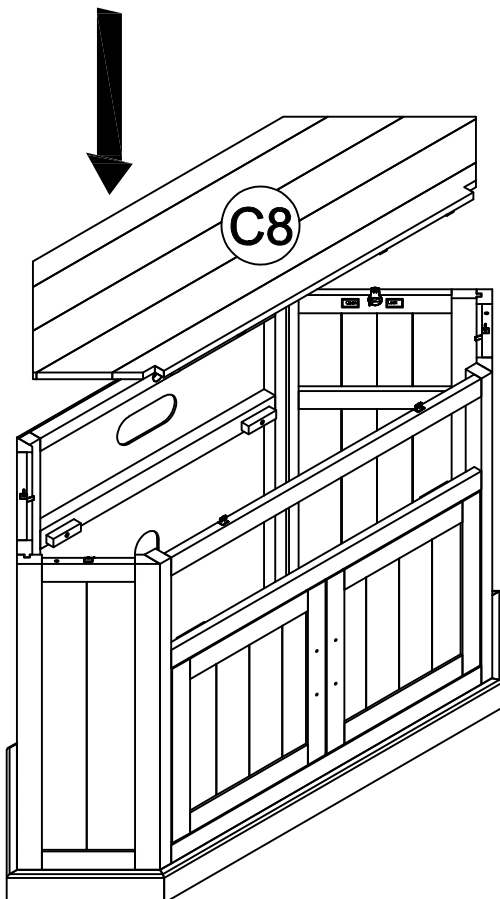
Make sure all latches are in the open position before installing Bottom Panel (C9)

5



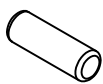
Make sure all latches are in the locked position before moving to next step

6

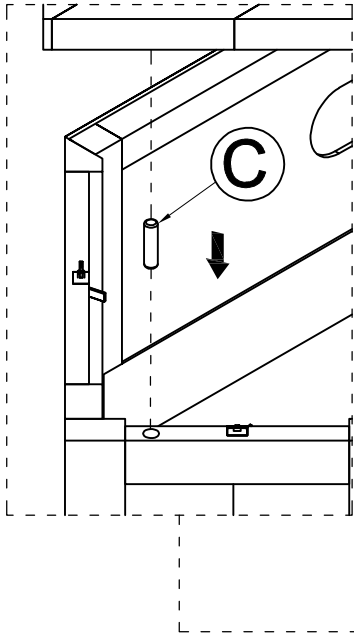


Place Middle Shelf (C8) into position onto cleats. Make sure part is laying flush.

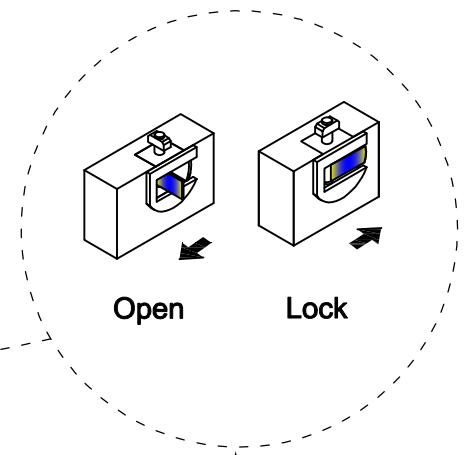
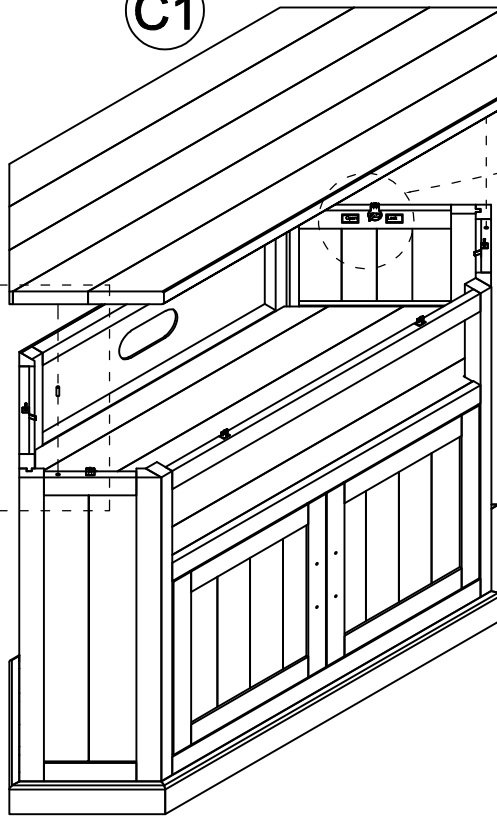
C x 2



7

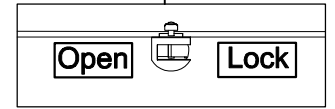


C1



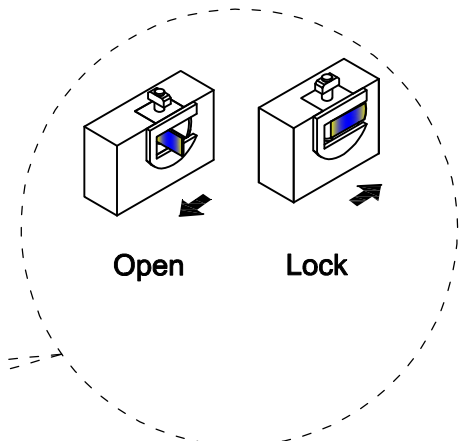
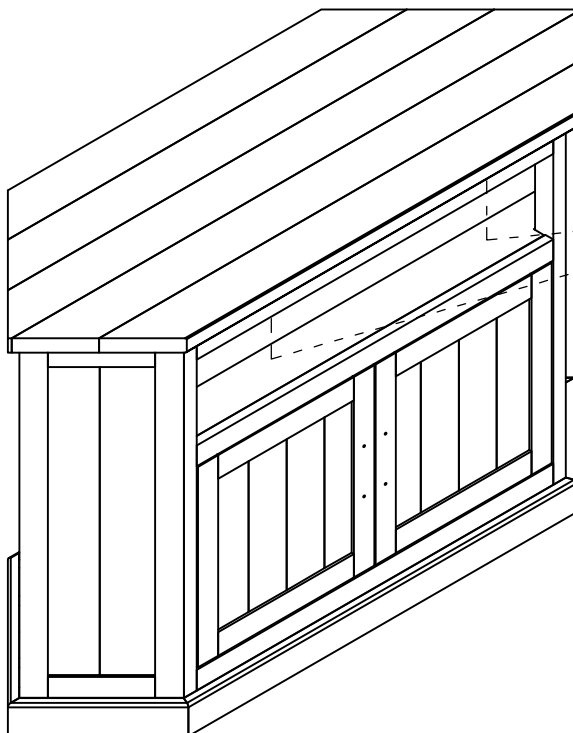
Open

Lock



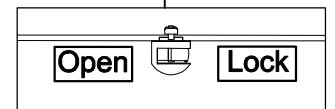
Make sure all latches are in the open position before installing Top Panel (C1)

8



Open

Lock



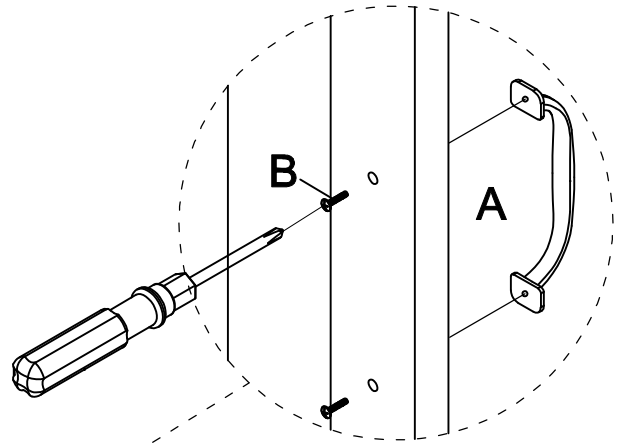
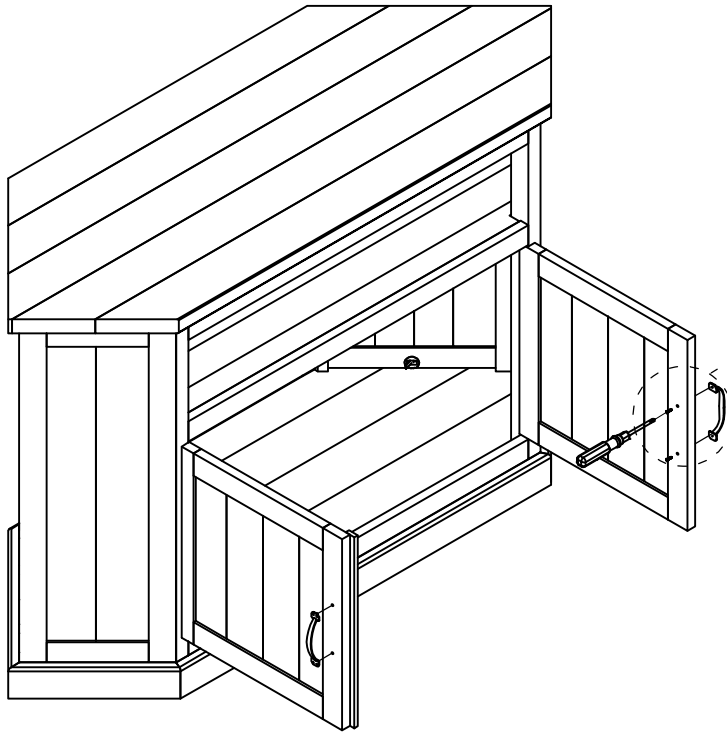
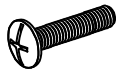
Make sure all latches are in the locked position

9

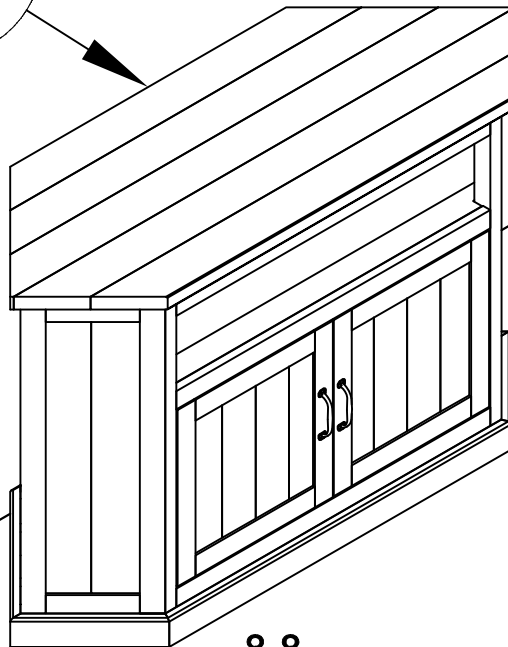
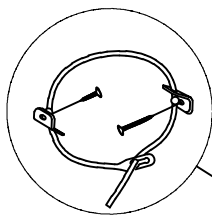
A x 2



B x 4



10



8-8