

## ASSEMBLING & INSTALLATION INSTRUCTIONS

The drawing shown may not exactly match the product enclosed. However, the installation instructions do apply to this product.

- ◆ WARNING! SHUT POWER OFF AT FUSE OR CIRCUIT BREAKER
- ◆ ATTENTION! COUPER LE COURANT AU FUSIBLE OU UN DISJONCTEUR.

### ASSEMBLING THE FIXTURE (Fig.1)

1. Shut off the power at the circuit breaker box. Remove old fixture and all hardware from Junction Box.
2. Carefully unpack your new fixture and lay out all the parts on a clear area. Be care not to lose any small parts necessary for installation.
3. Put the Bracket into Junction box and fix it by screw.
4. Connect the electrical cord as Shown in Fig.2, making sure that all wire nuts are secured. You may have to wrap the connections with electrical tape. If your outlet box has a ground wire (green or bare copper), connect the fixture ground wire to it. Otherwise connect fixture's ground wire directly to the Mounting plate with the green screw provided. After wires are connected, tuck them carefully inside the Junction Box.
5. Put the canopy (A) close to the bracket and fix by nut (B).
6. Install the light bulbs(not included) in accordance with the fixture's specifications. NOTE: DO NOT EXCEED THE SPECIFIED WATTAGE!

Your installation is now complete. Return power to the junction box and test the fixture.

FIG.1

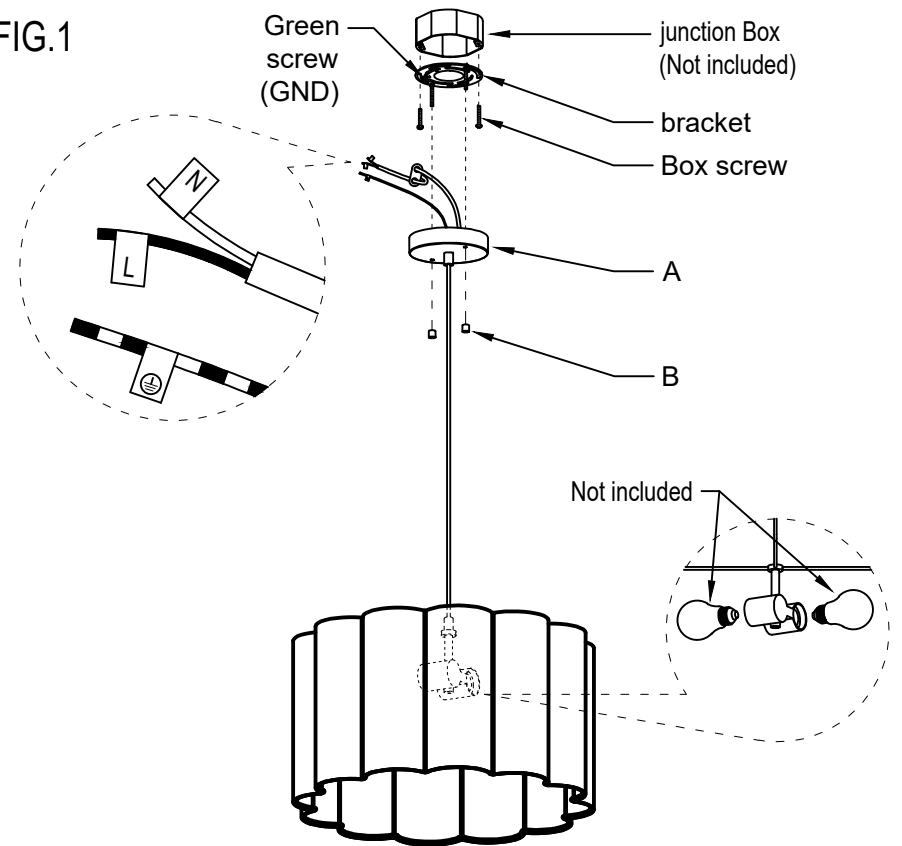


FIG.2

