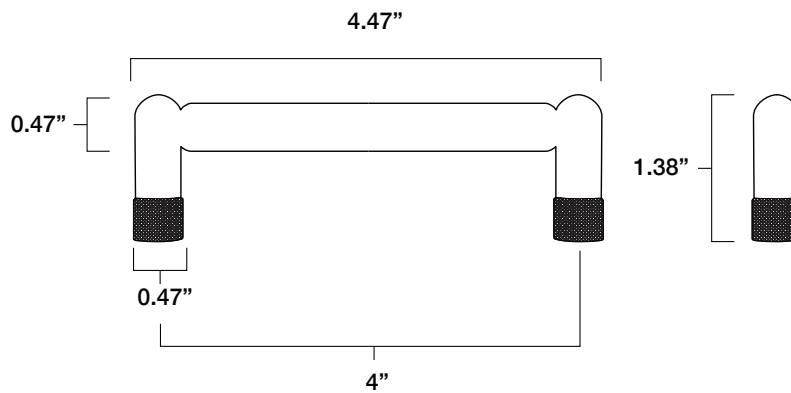




KNURLED 4" CABINET PULL

Tech Spec



FINISH	SKU	ALSO INCLUDED
Aged Brass	K571-AB	(2) 8-32, 1" Phillips head screws (2) 8-32, 1.75" Phillips head breakable screws
Graphite	K571-GP	
Polished Nickel	K571-PN	
Satin Brass	K571-SB	
Satin Nickel	K571-SN	

CARE INSTRUCTIONS:

Gentle is key. Clean your hardware with a soft, damp cloth, and wipe completely dry. Do not leave any water or soap residue on your product. Never use any chemicals or harsh over-the-counter cleaners, as these will strip the finish and void your warranty.