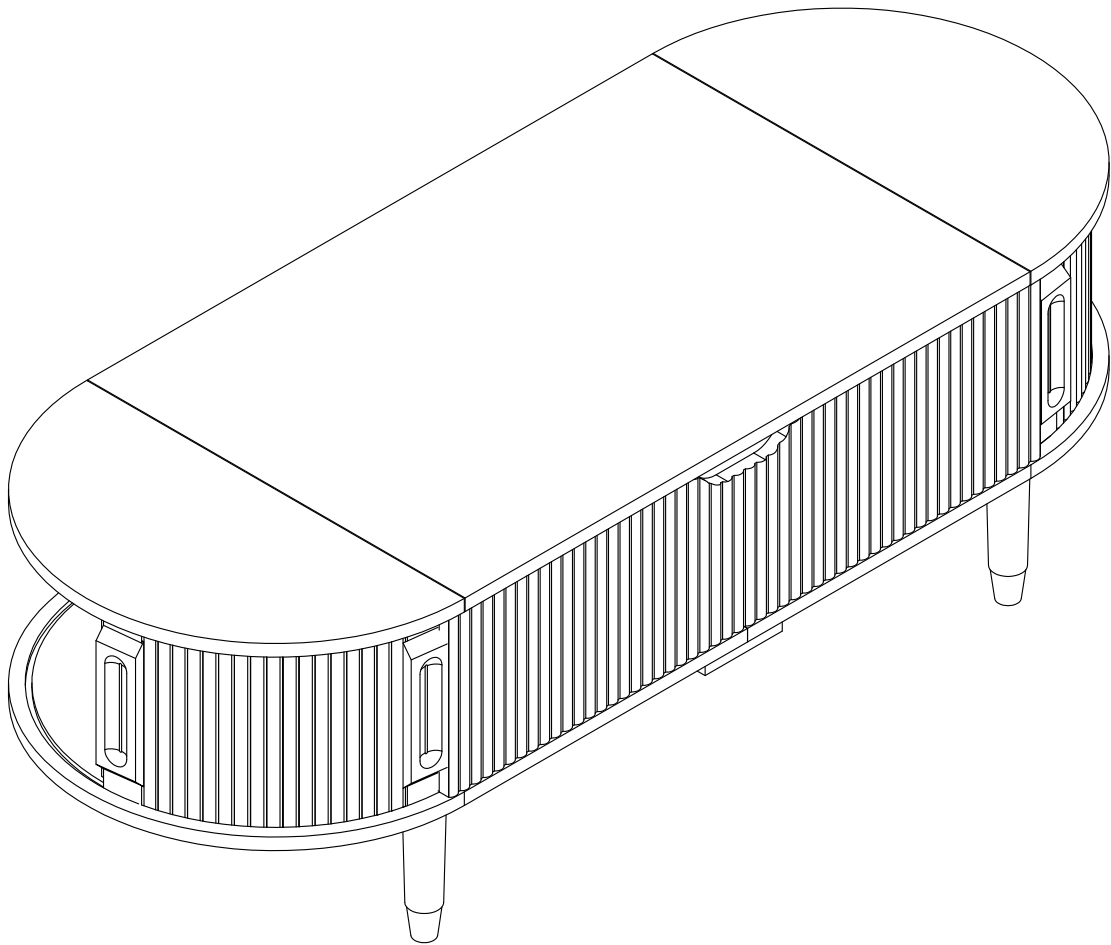
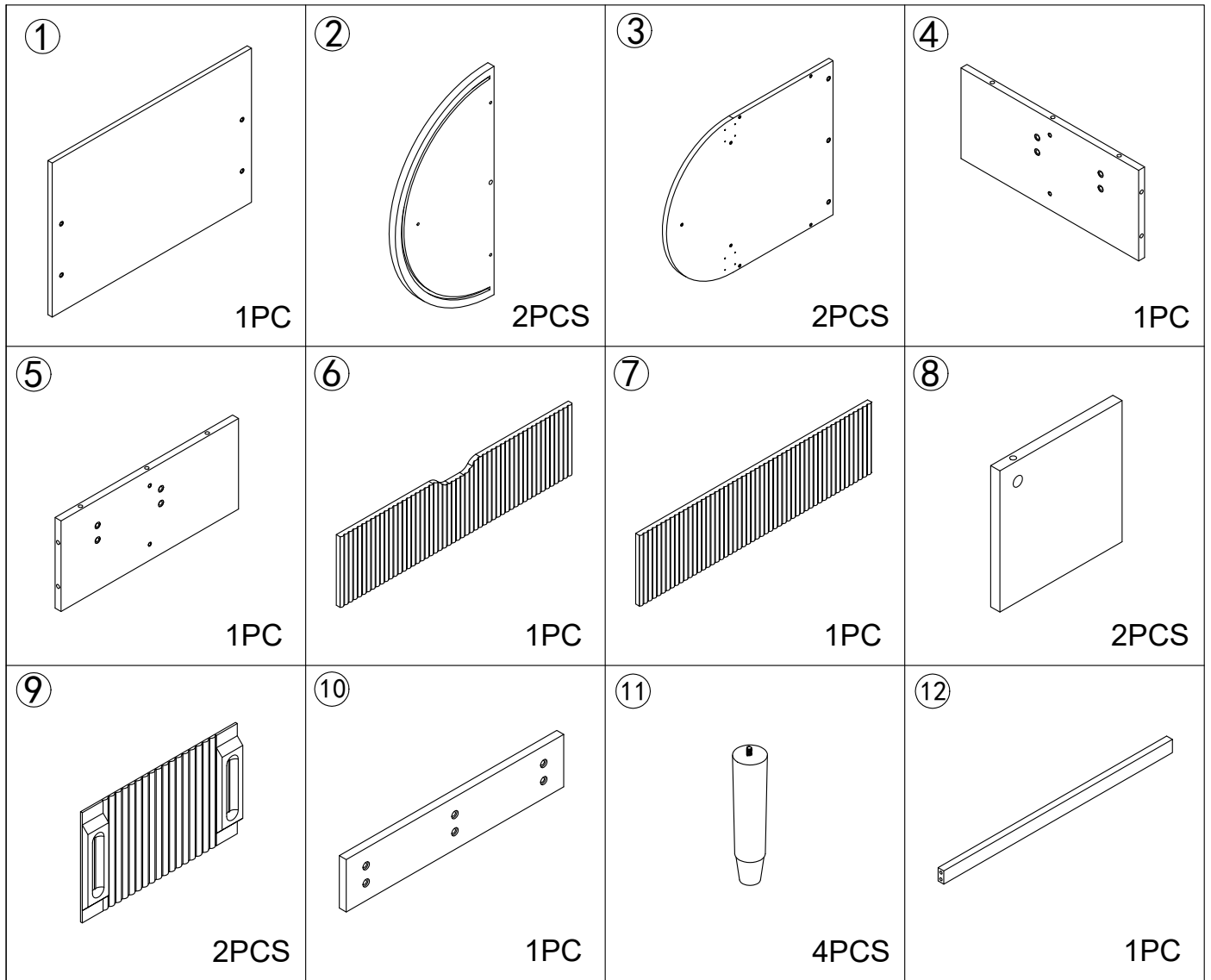


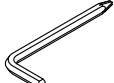

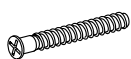




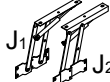
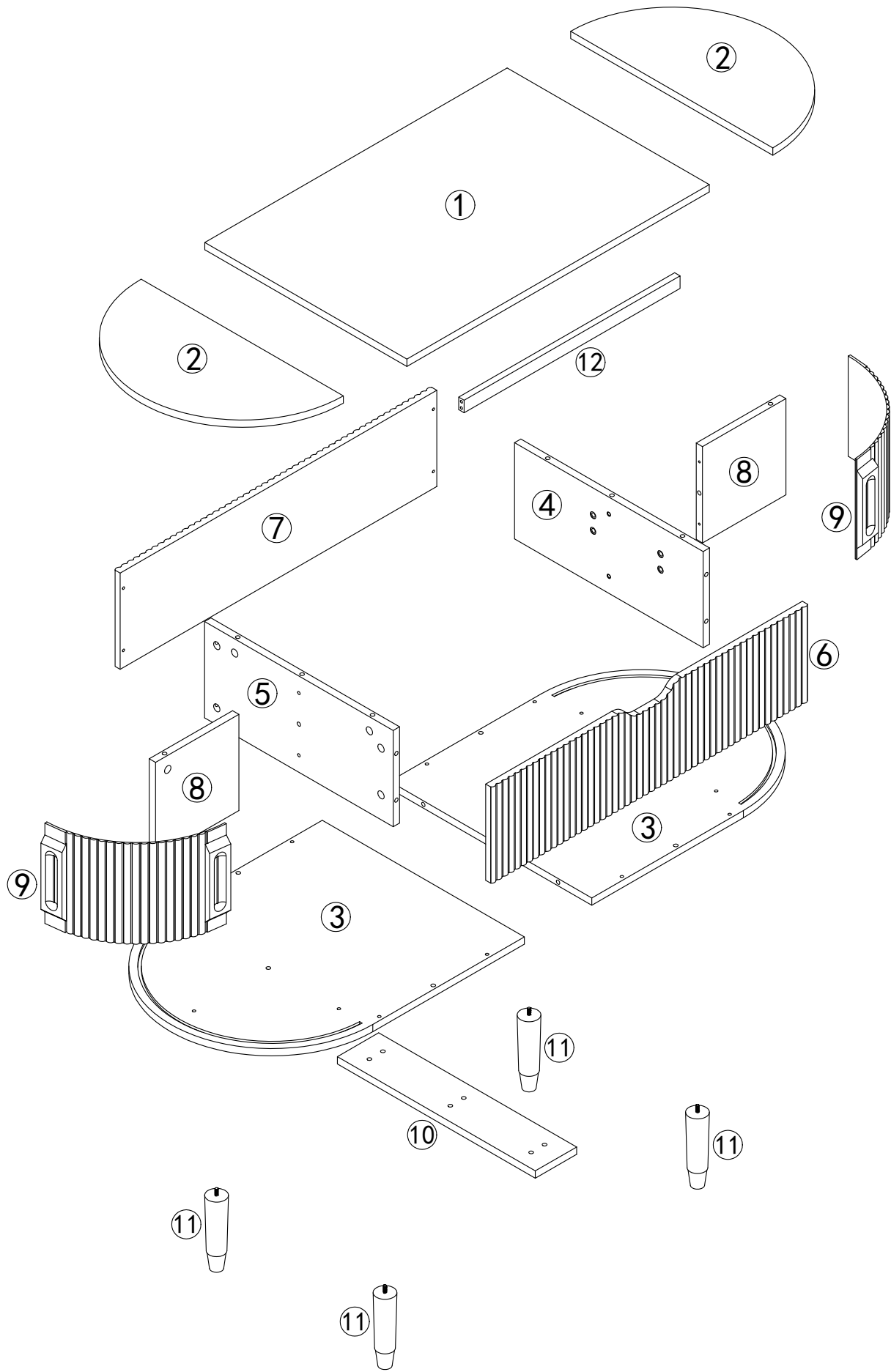


Assembly Instruction

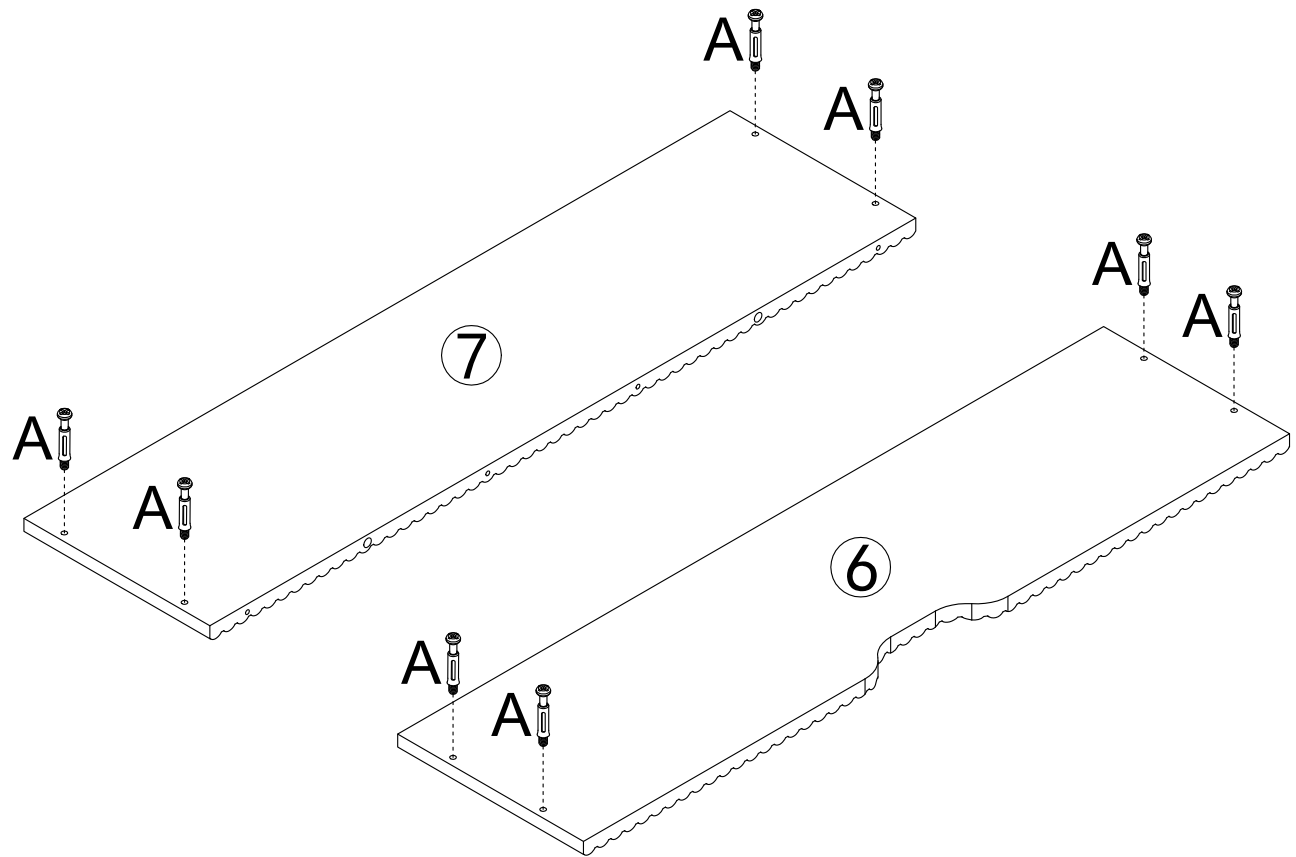





<p>A X14</p>  <p>M6x35mm</p>	<p>B X14</p>  <p>Ø15x9mm</p>	<p>C X1</p>  <p>4mm</p>	<p>D X16</p>  <p>M4x14mm</p>	<p>E X18</p>  <p>M5x40mm</p>	<p>F X12</p>  <p>Ø8x30mm</p>
<p>G X12</p>  <p>M6x12mm</p>	<p>H X10</p>  <p>M6x22mm</p>	<p>I X4</p> 	<p>J X1</p>  <p>J₁ J₂</p>		

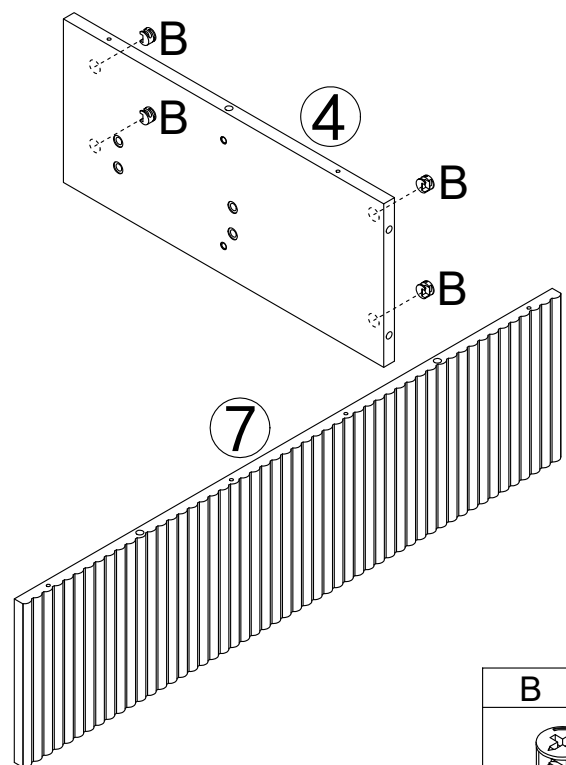
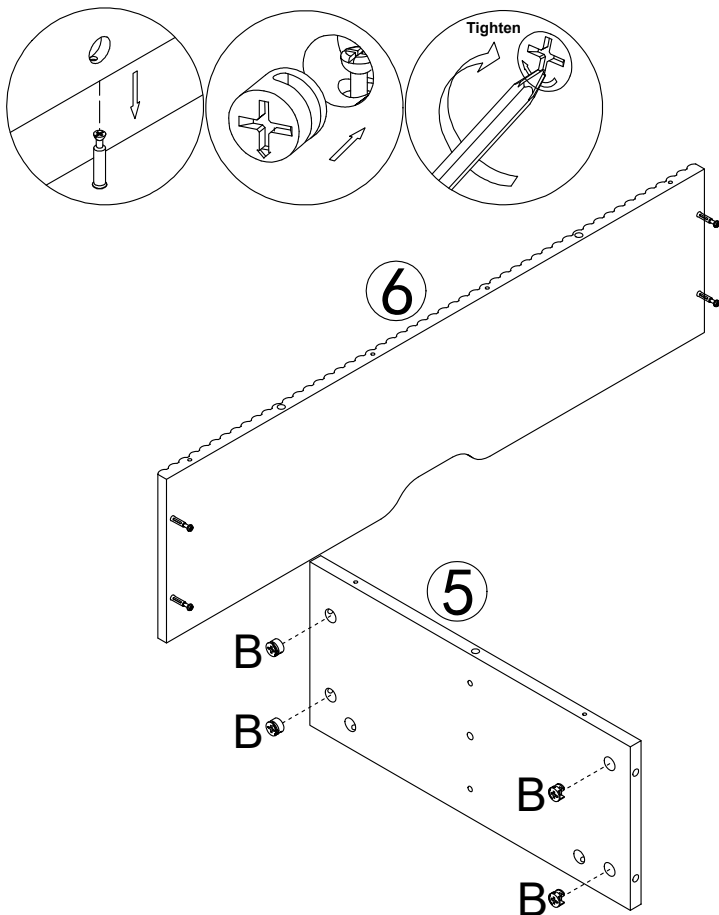



1



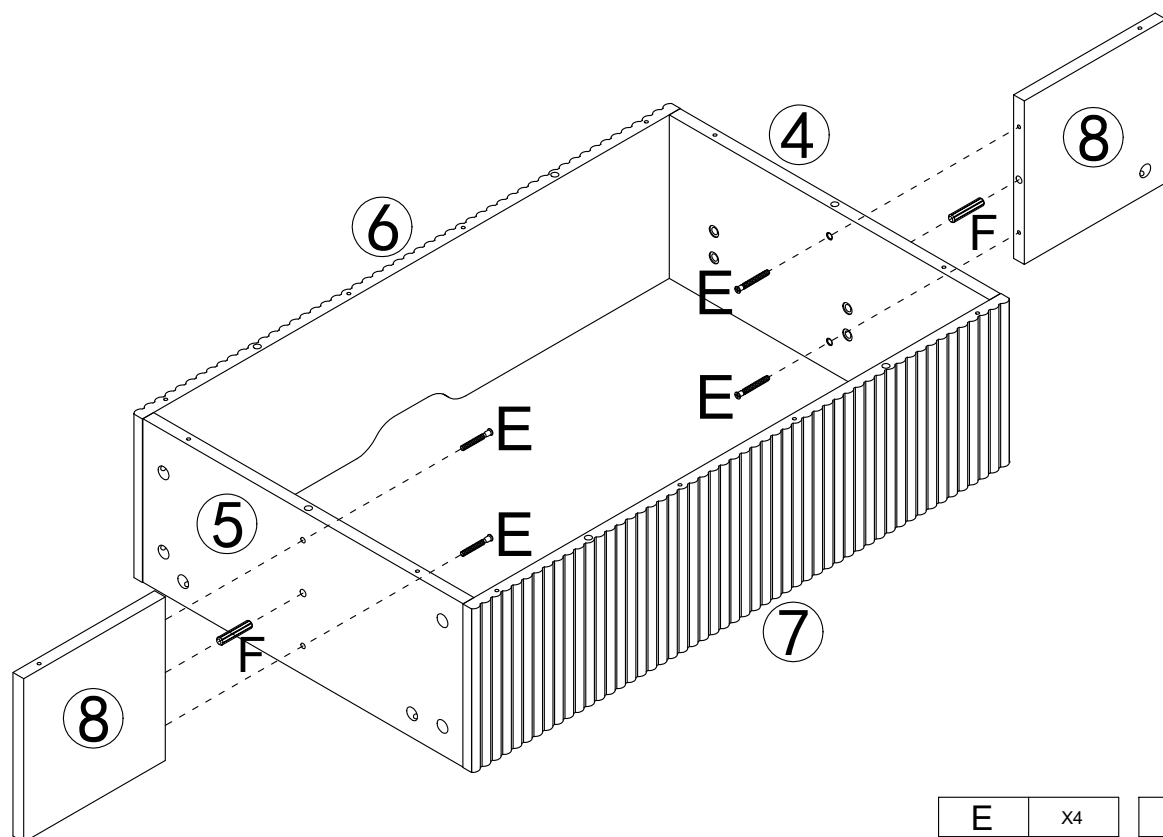
A	x8
	
M6x35mm	



2



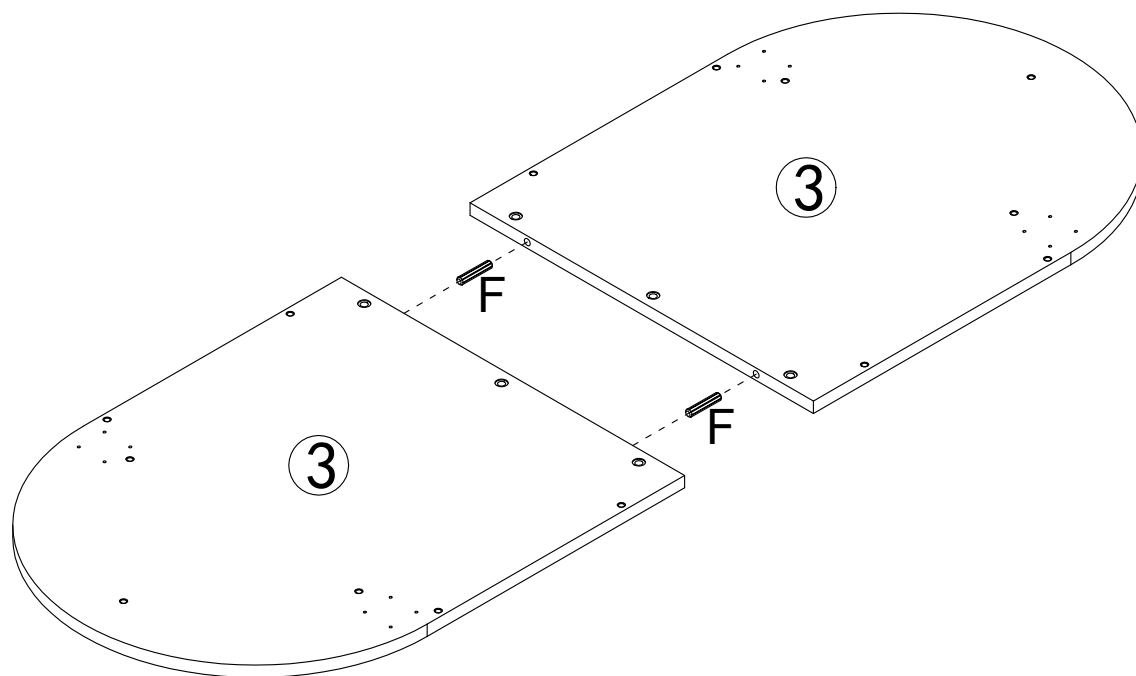
B	x8
	
Ø15x9mm	


3



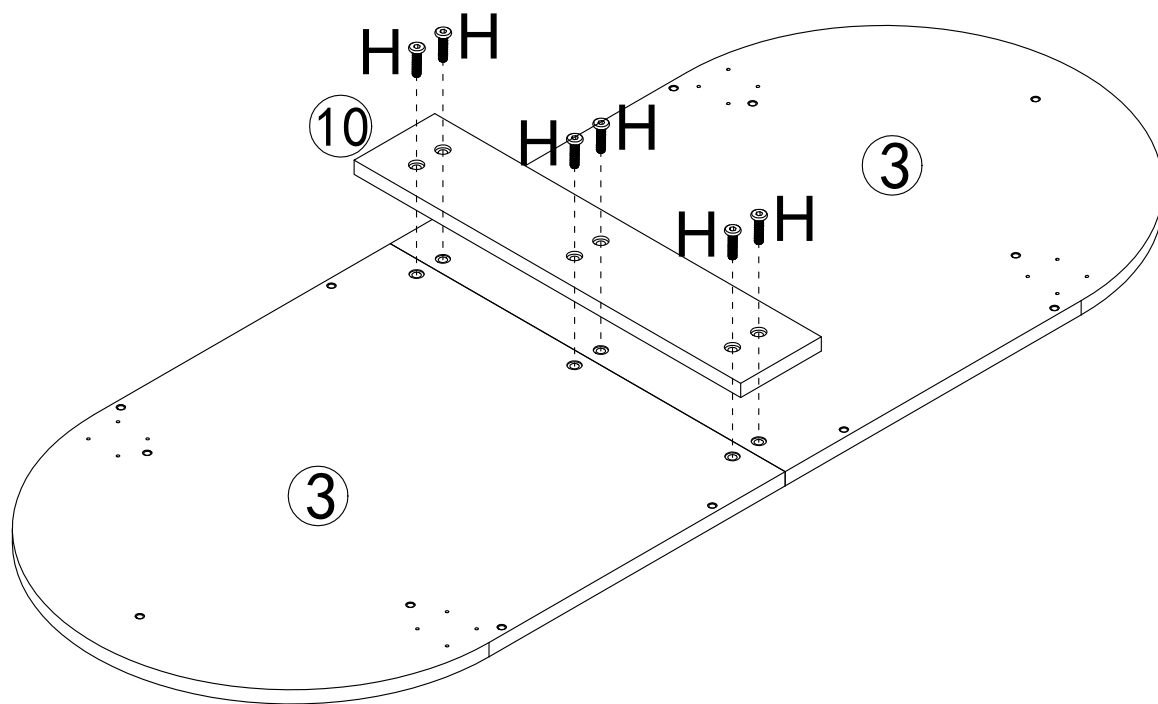
E	X4	F	X2
			
M5x40mm		Ø8x30mm	


4



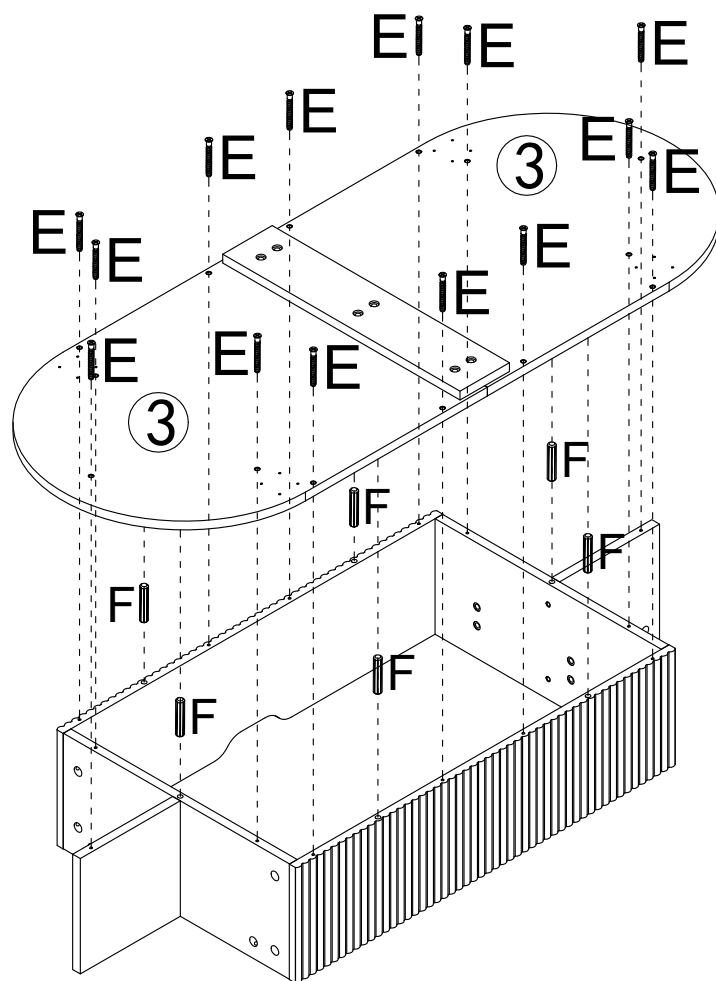
F	X2
	
Ø8x30mm	


5




H	X6
	
M6x22mm	

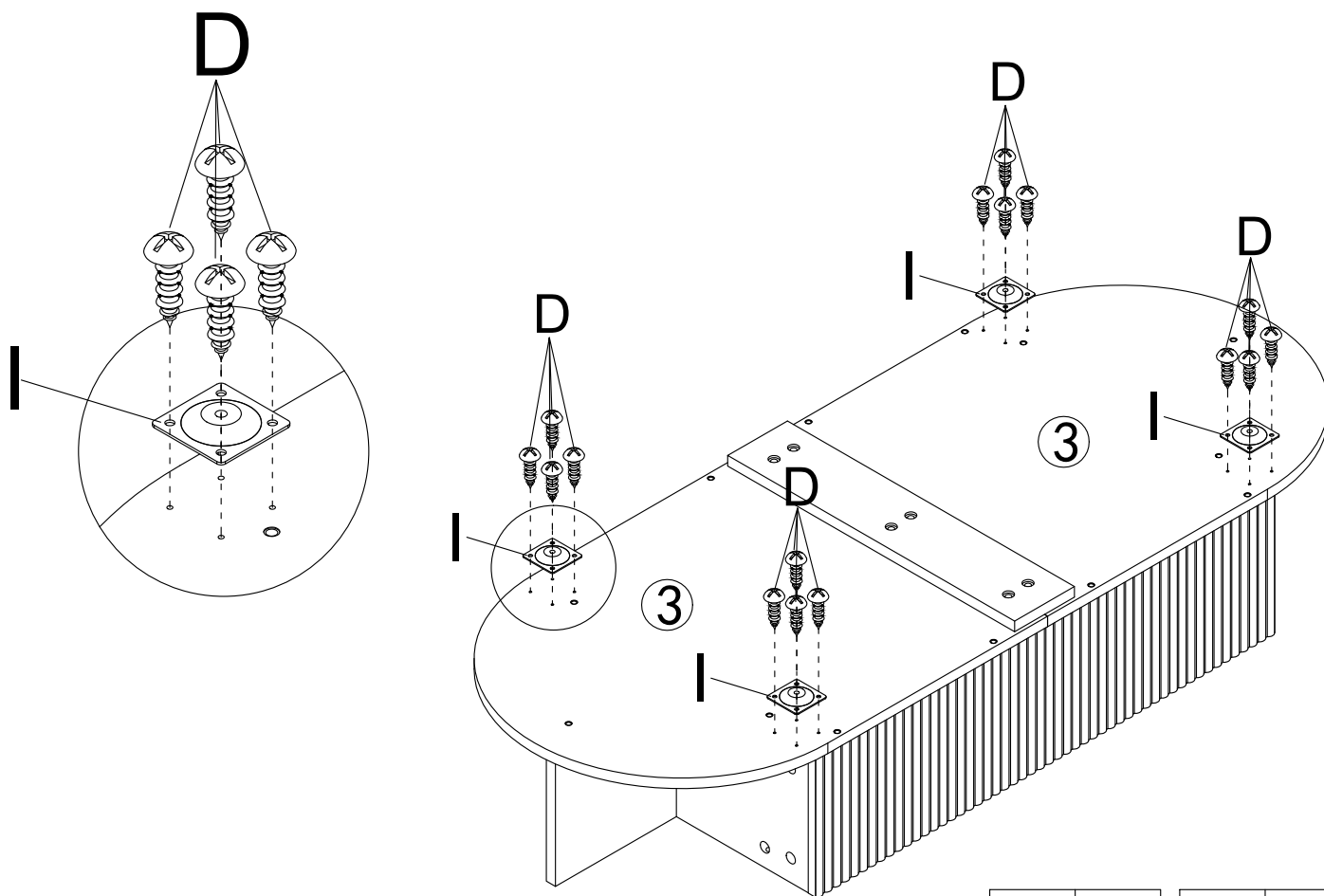
6


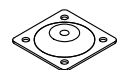


E	X14
	
M5x40mm	

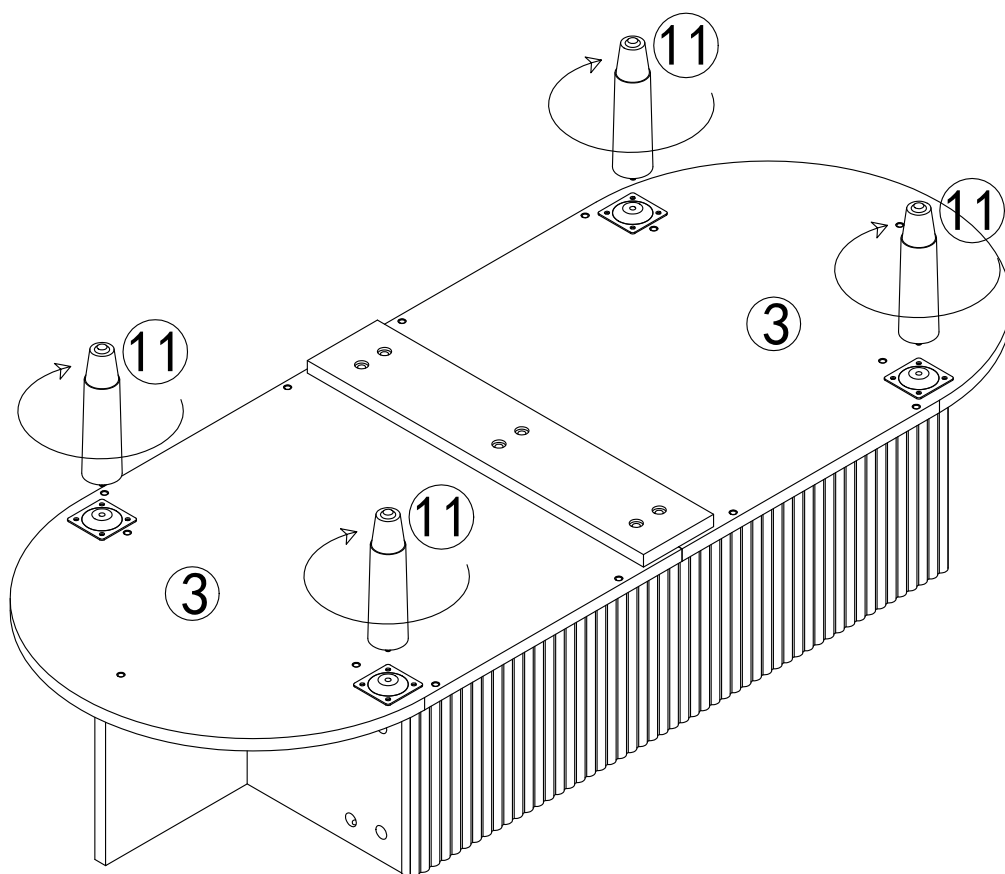
F	X6
	
Ø8x30mm	

7

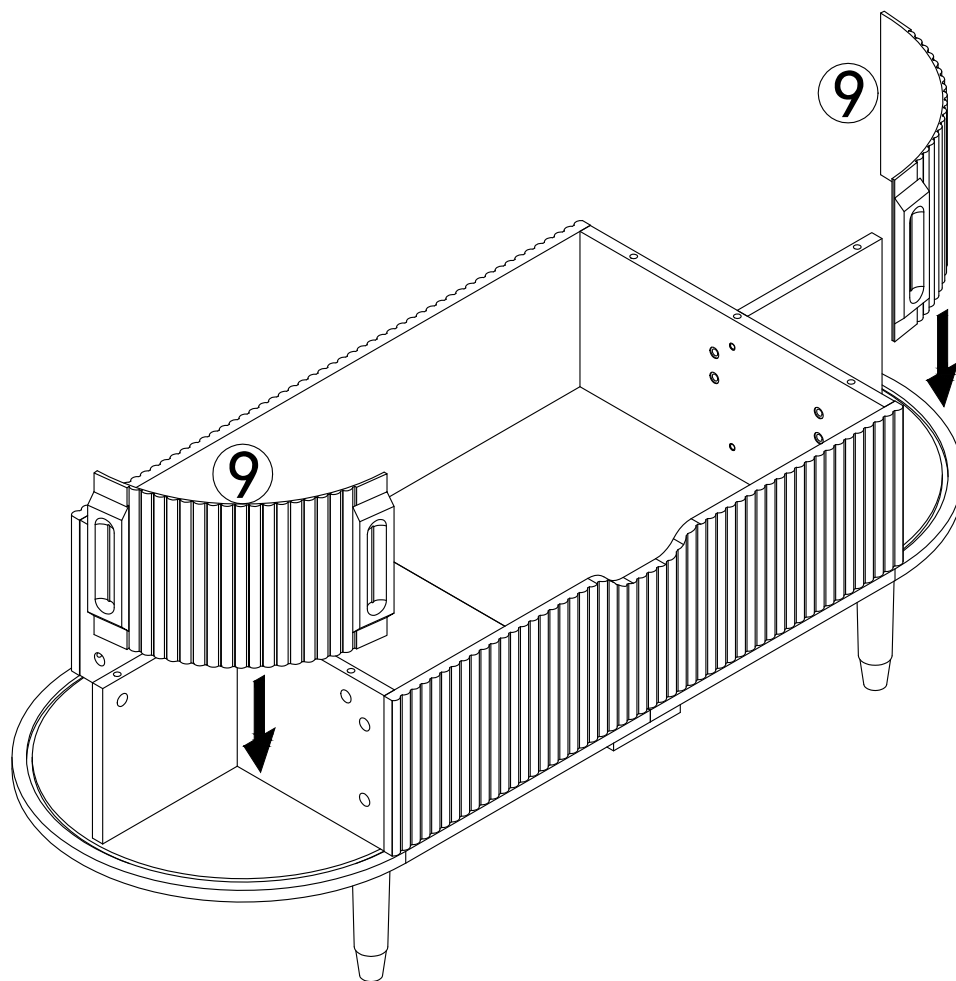


D	X16	I	X4
			
M4x14			

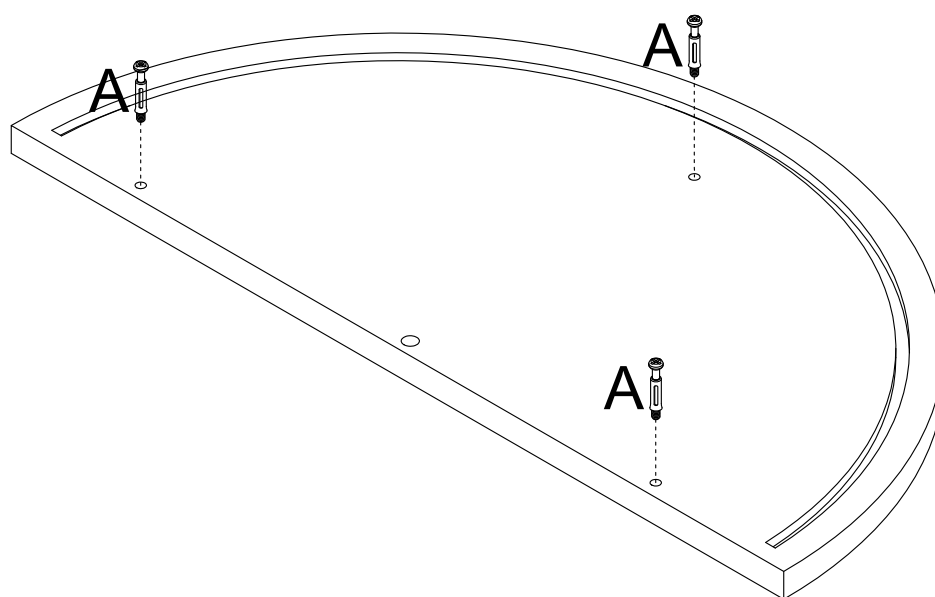
8




9



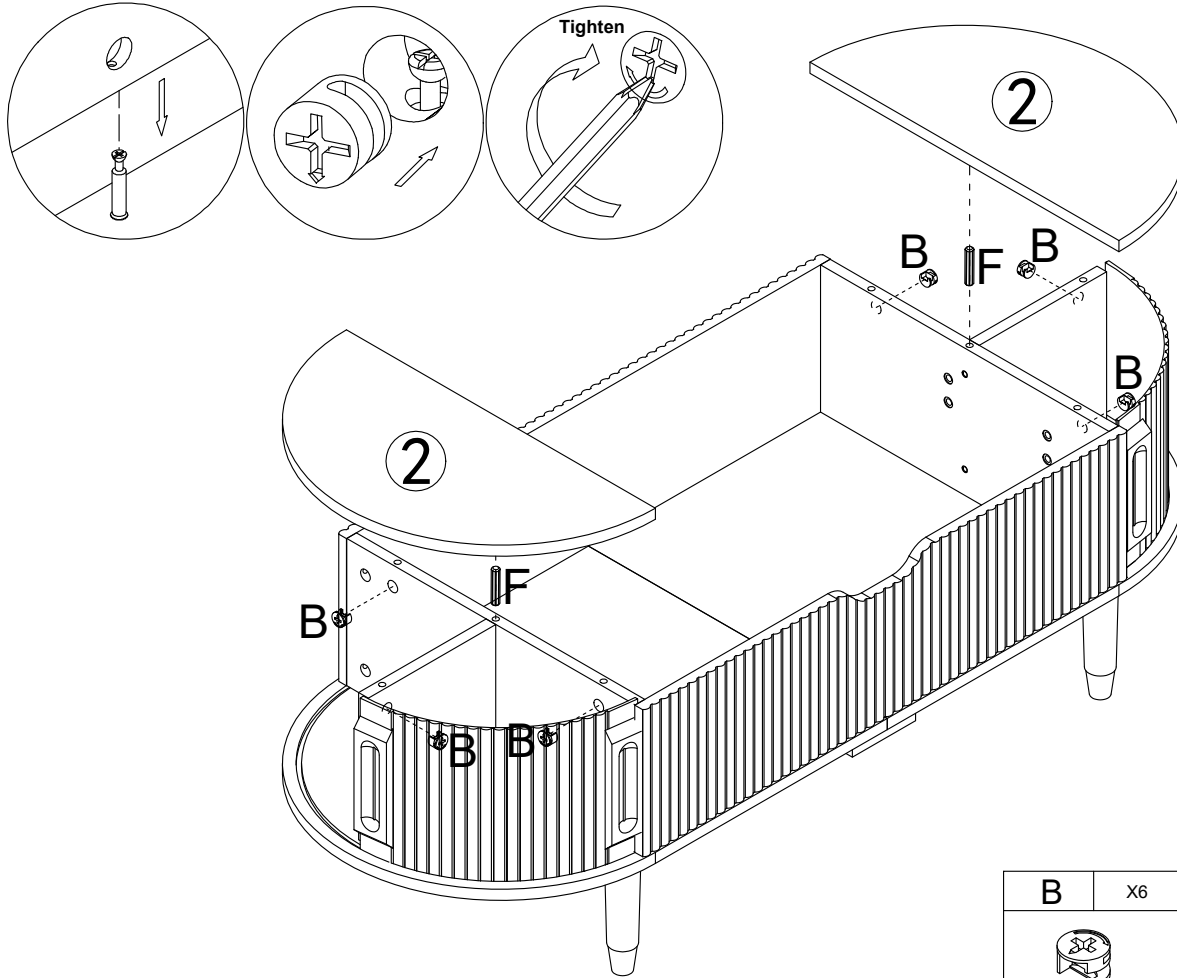
10


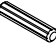


2 X2

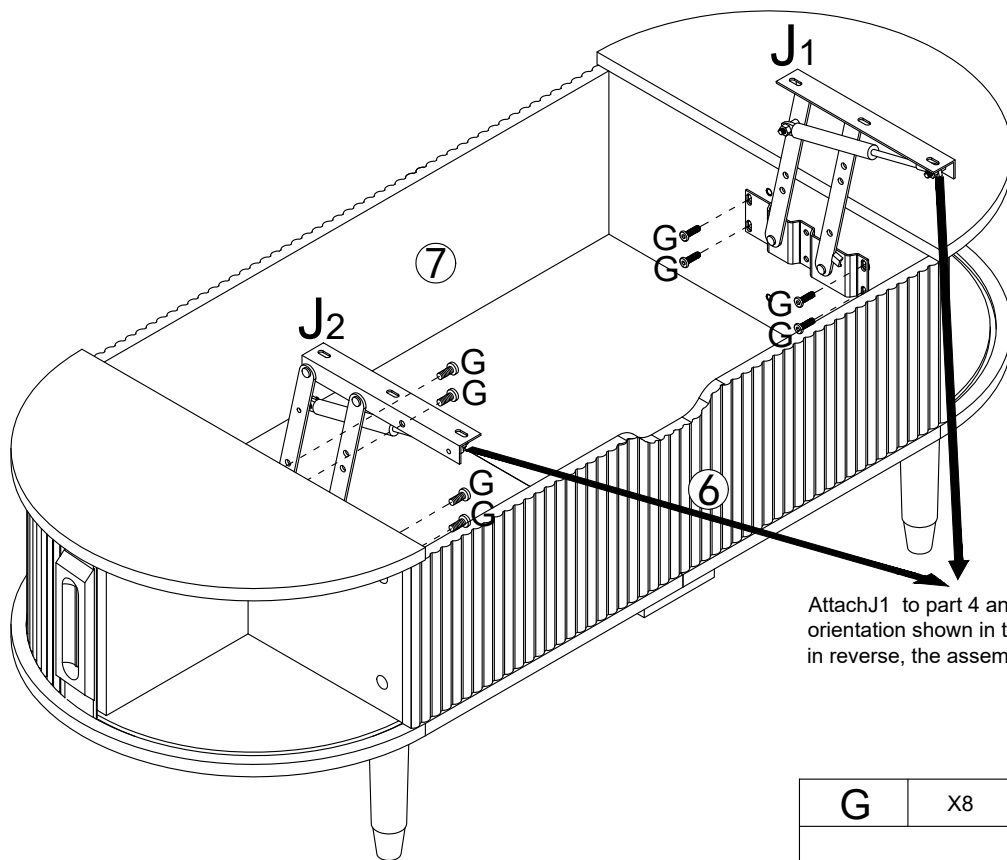
A	x6
	
M6x35mm	

11


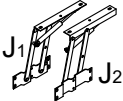


B	X6	F	X2
			
Ø15x9mm		Ø8x30mm	

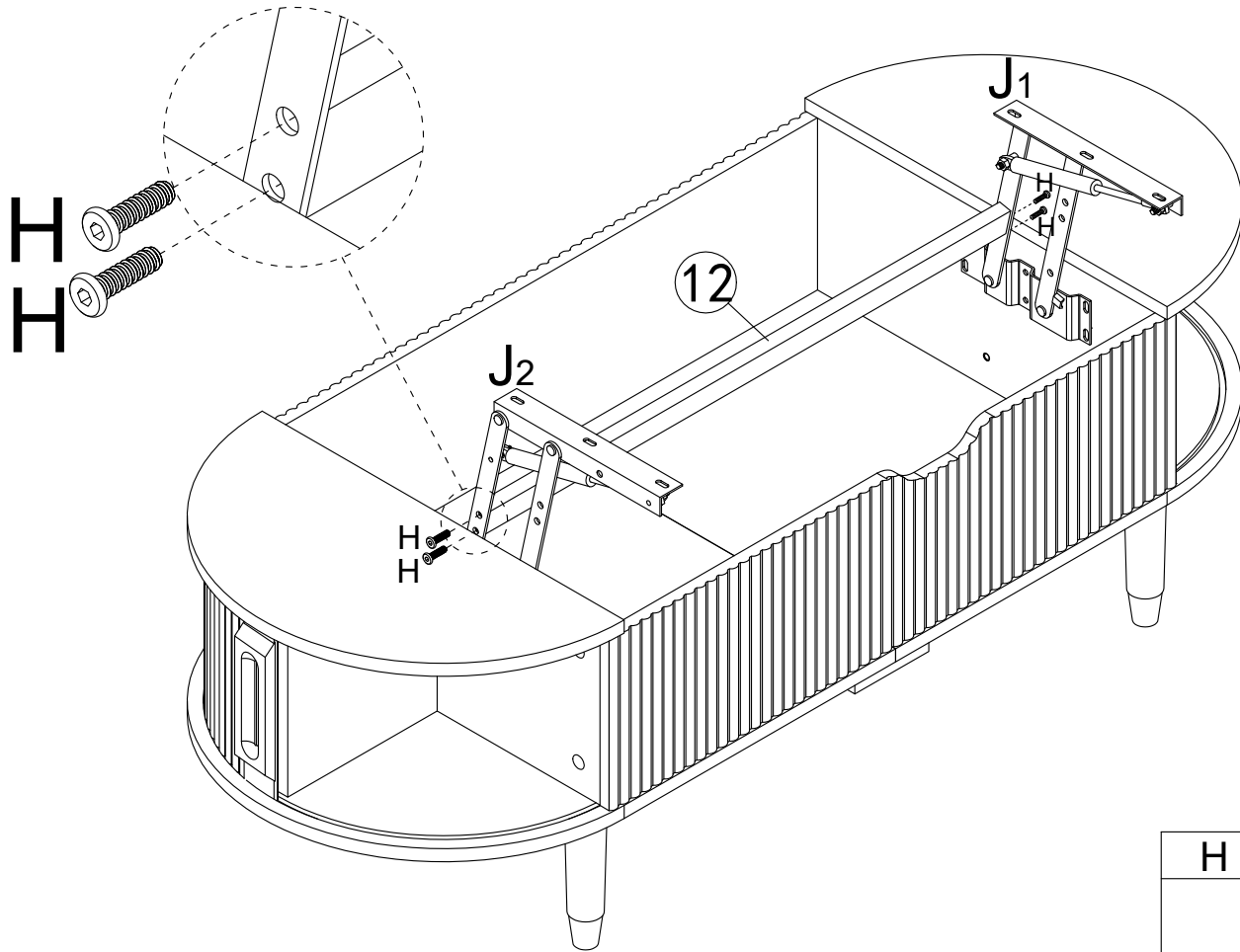
12




Attach J1 to part 4 and attach J2 to part 5 in the orientation shown in the picture. If this end is installed in reverse, the assembly will be incorrect.

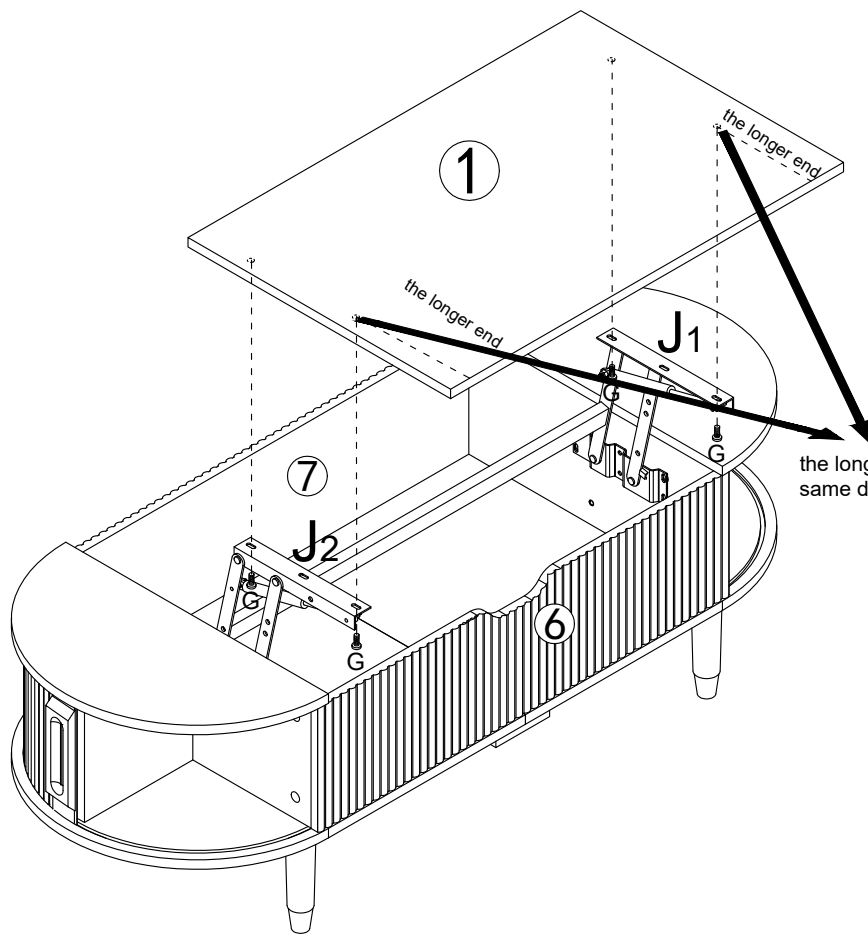
G	X8	J	X1
			
M6x12mm			

13




H	X4
	
M6x22mm	

14



the longer end of table top(part 1) should face the same direction of J1 and J2 as shown in the picture.

G	X4
	
M6x12mm	