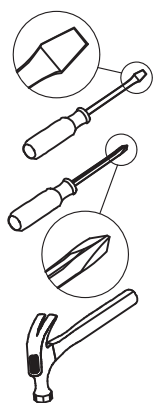


As this item contains many parts, please read the installation instruction carefully before installation and complete the installation with the cooperation of your partner. Please use tools properly and carefully. If you have any questions about the product and installation, please contact us.

Our professional after-sales team will serve you online all day.

Before You Start



- ✓ Read through each step carefully and follow the proper order
- ✓ Separate and count all your parts and hardware
- ✓ Give yourself enough room for the assembly process
- ✓ Have the following tools: Flat Head Screwdriver, #2 Phillips Head Screwdriver and Hammer
- ✓ Caution: If using a power drill or power screwdriver for screwing, please be aware of to slow down and stop when screw is tight. Failure to do so may result in stripping the screw.

Helpful Hints

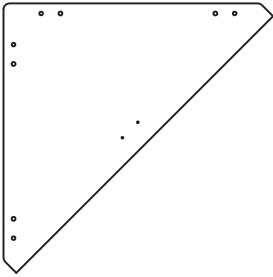
PEOPLE NEEDED FOR ASSEMBLY: 1-2

- Open your item in the area you plan to keep it to avoid excessive heavy lifting.
- Identify, sort and count the parts before attempting assembly.
- Compression dowels are lightly tapped in with a hammer.
- Slides are labeled with an **R** (right) and **L** (left) for proper placement.
- Make sure to always face the point on the top of the Cam Lock towards the outer edge.
- Use all the nails provided for the back panel and spread them out equally.
- Back panel must be used to make sure your unit is sturdy.
- Do NOT use harsh chemicals or abrasive cleaners on this item.
- Never push, pull, or drag your furniture.

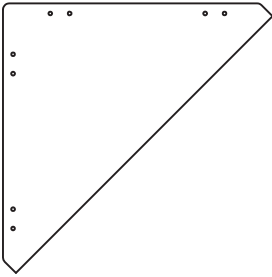


Board Identification

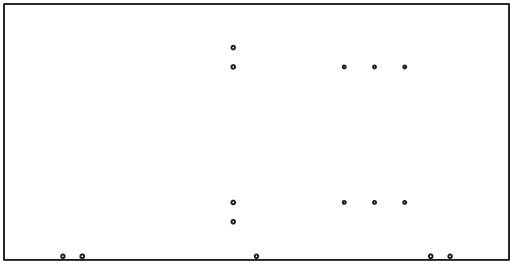
Not actual size



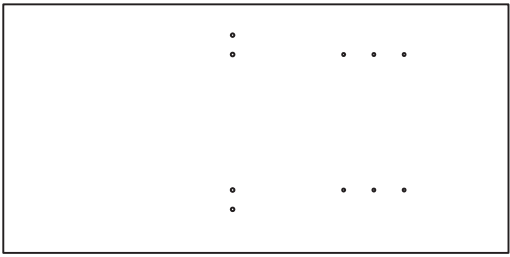
①



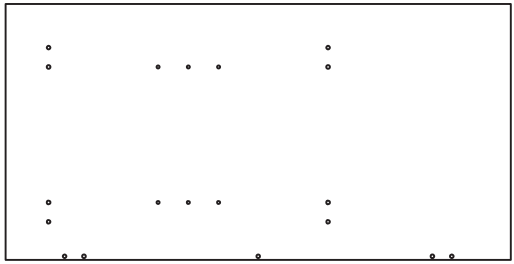
②



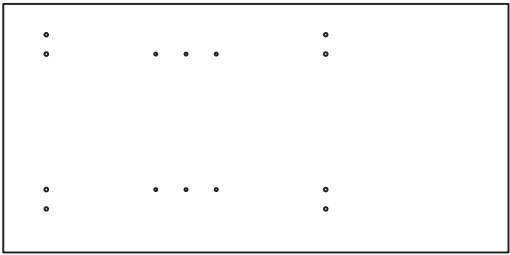
③



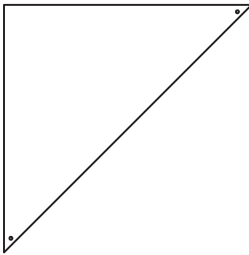
④



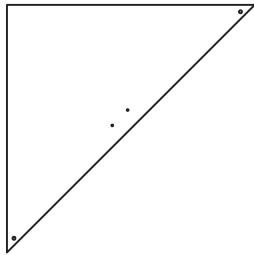
⑤



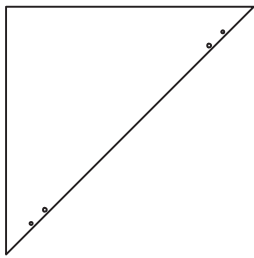
⑥



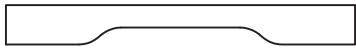
⑦



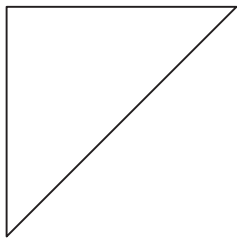
⑧



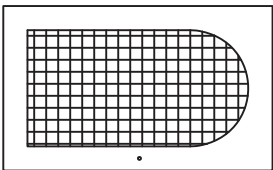
⑨



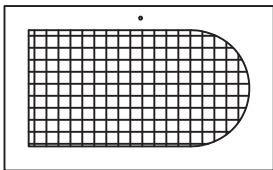
⑩



⑪ × 2



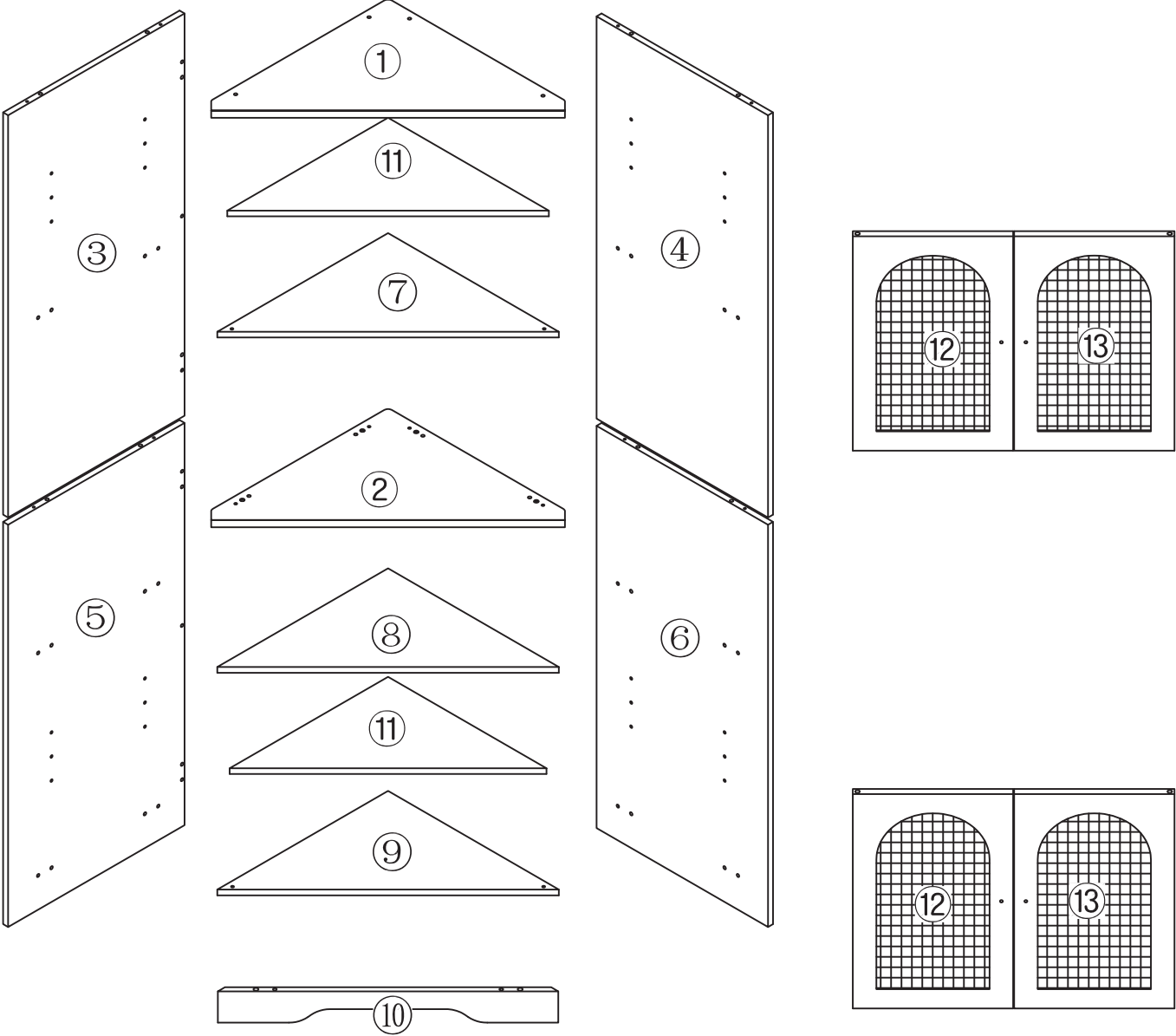
⑫ × 2





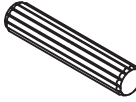
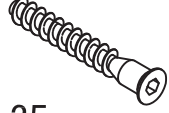
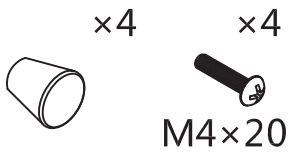
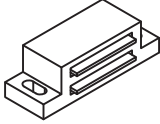




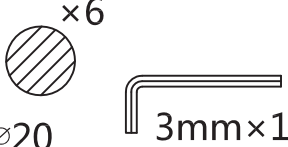
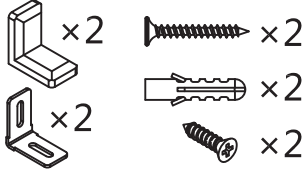
⑬ × 2

Board Identification

Not actual size

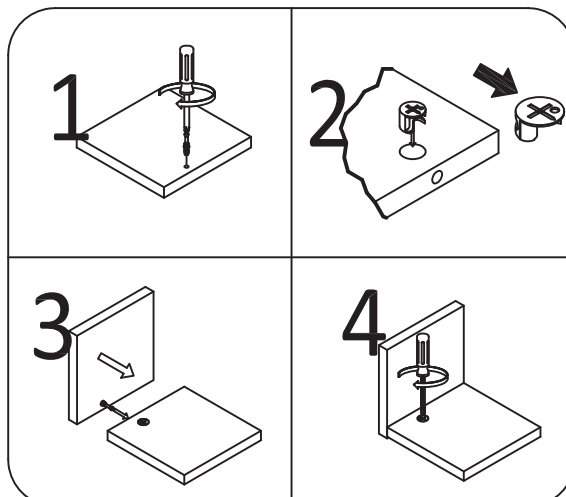


Part List

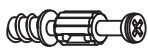


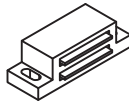

 6×28 A1 6PCS	 ∅12×9 A2 6PCS	 ∅6×30 A3 30PCS	 5 × 35 A4 26PCS
 ×4 ×4 M4×20 A5	 A6 2PCS	 A7 4PCS	 A8 8PCS
 3.5×14 A9 8PCS	 A10 8PCS	 ×6 ∅20 3mm×1 A11 1PC	 ×2 ×2 ×2 ×2 ×2 A12

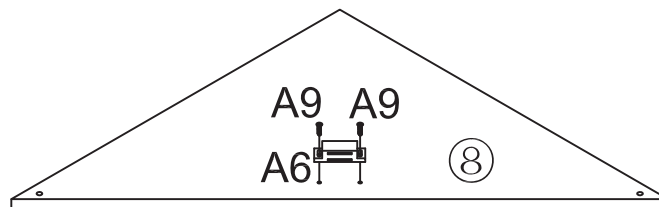
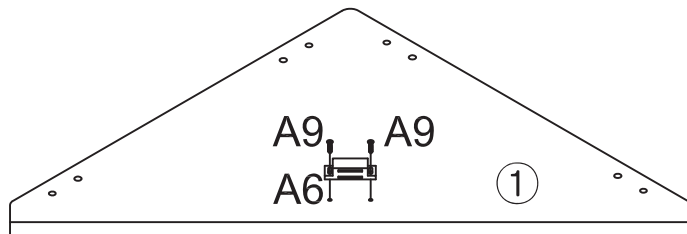
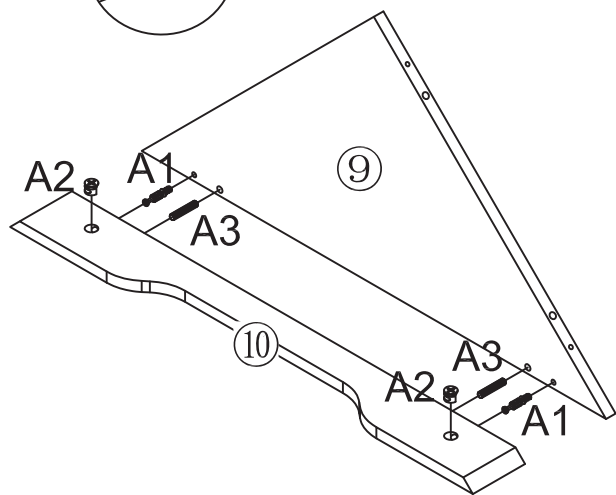
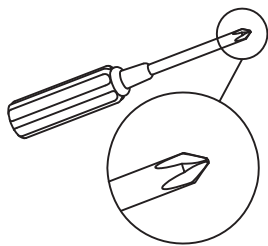
Cam Lock Fastening System

This Cam Lock Fastening System will be used throughout the assembly process.


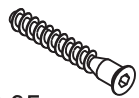


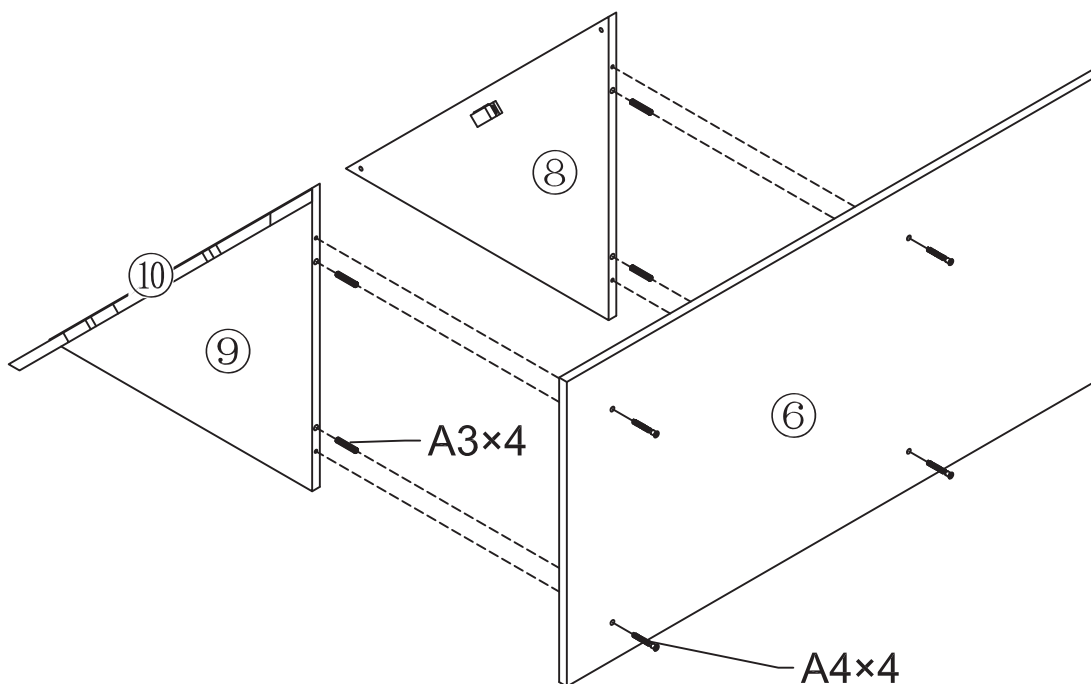
STEP 1

 6x28 A1 2PCS	 ∅12x9 A2 2PCS	 ∅6x30 A3 2PCS	 A6 2PCS	 3.5x14 A9 4PCS
--	---	---	---	--


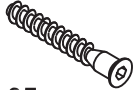


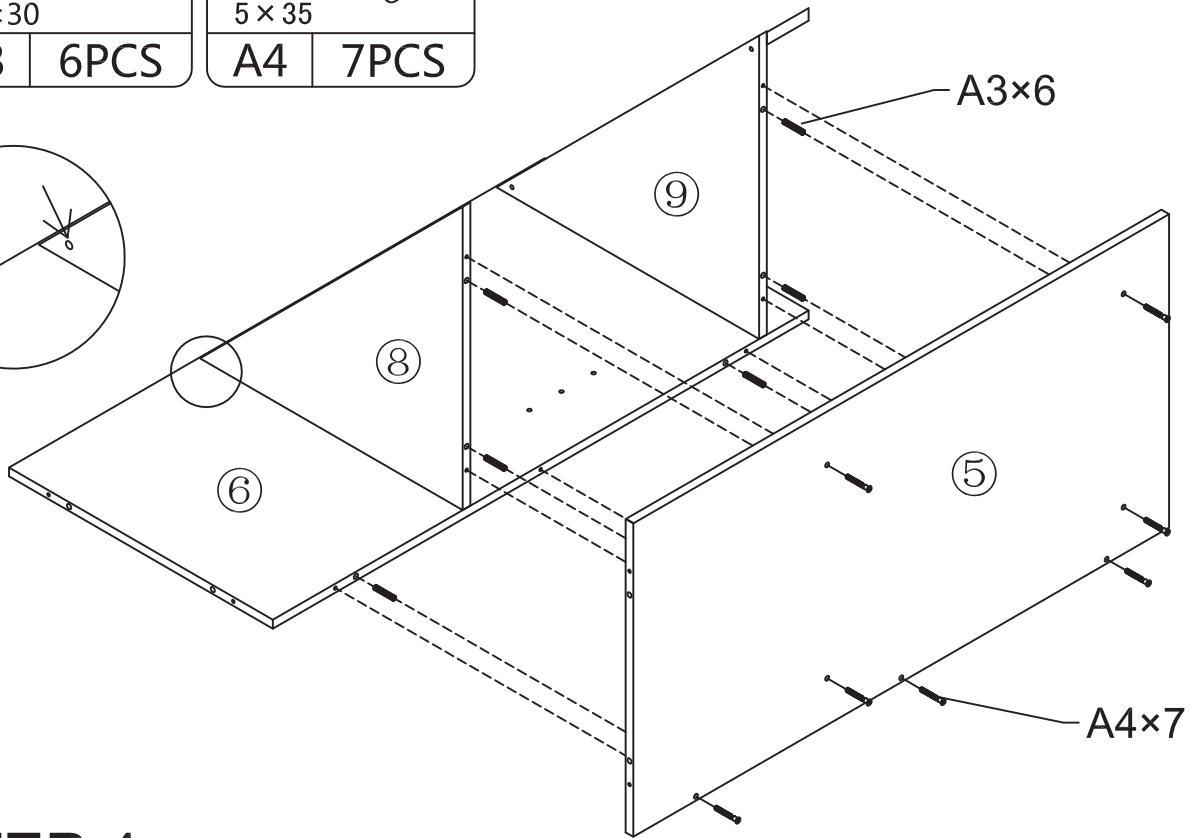
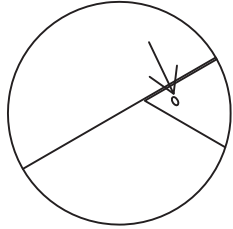
STEP 2

 ∅6x30 A3 4PCS	 5x35 A4 4PCS
---	--


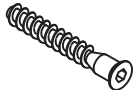


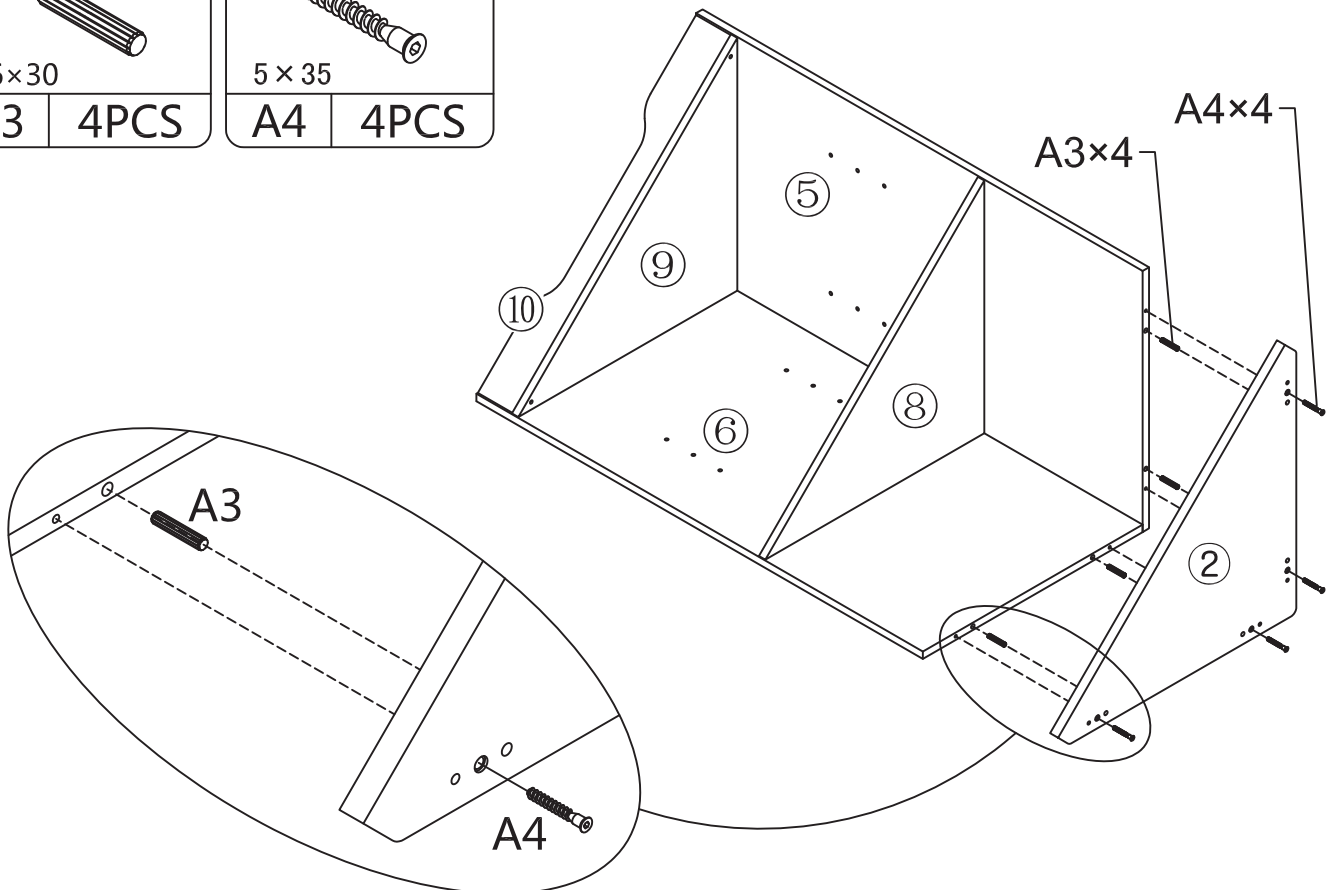
STEP 3

	
∅6×30	5×35
A3 6PCS	A4 7PCS

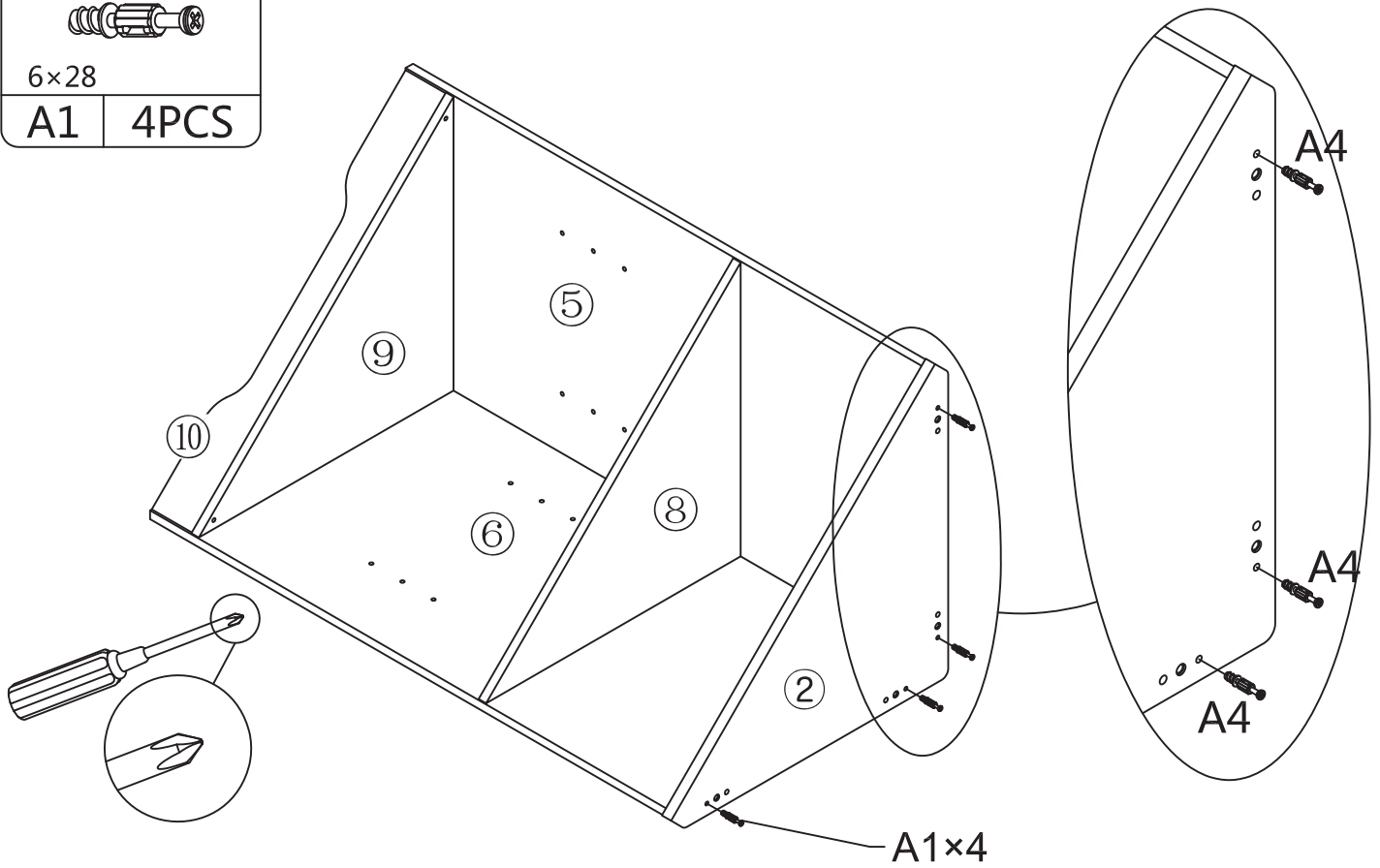
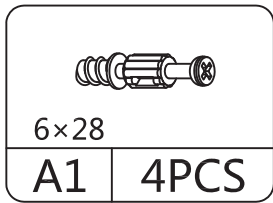


STEP 4

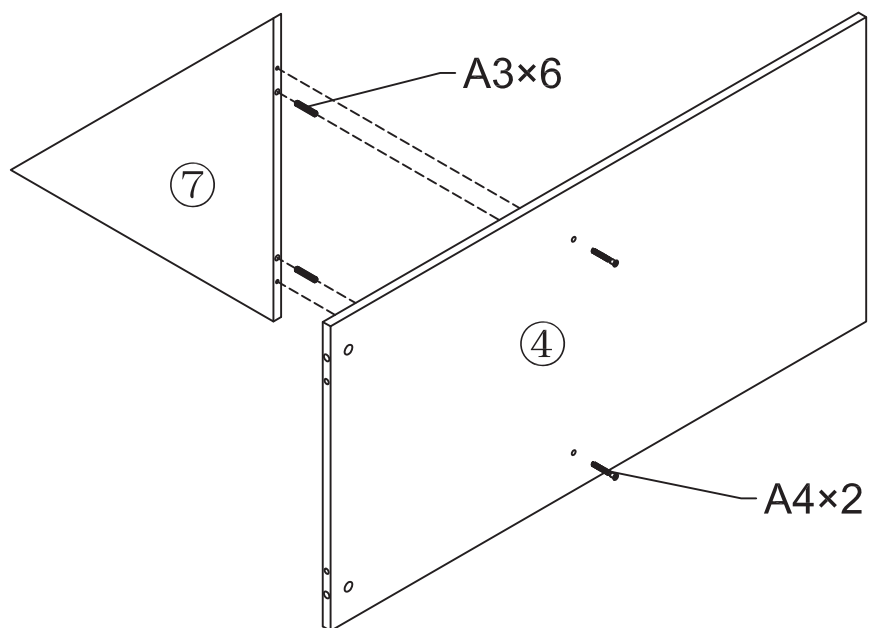
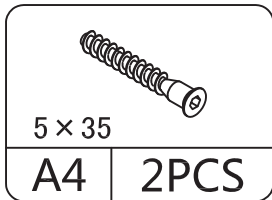
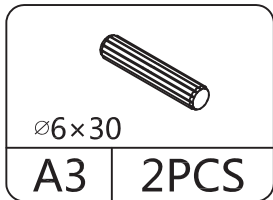
	
∅6×30	5×35
A3 4PCS	A4 4PCS




STEP 5

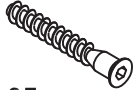


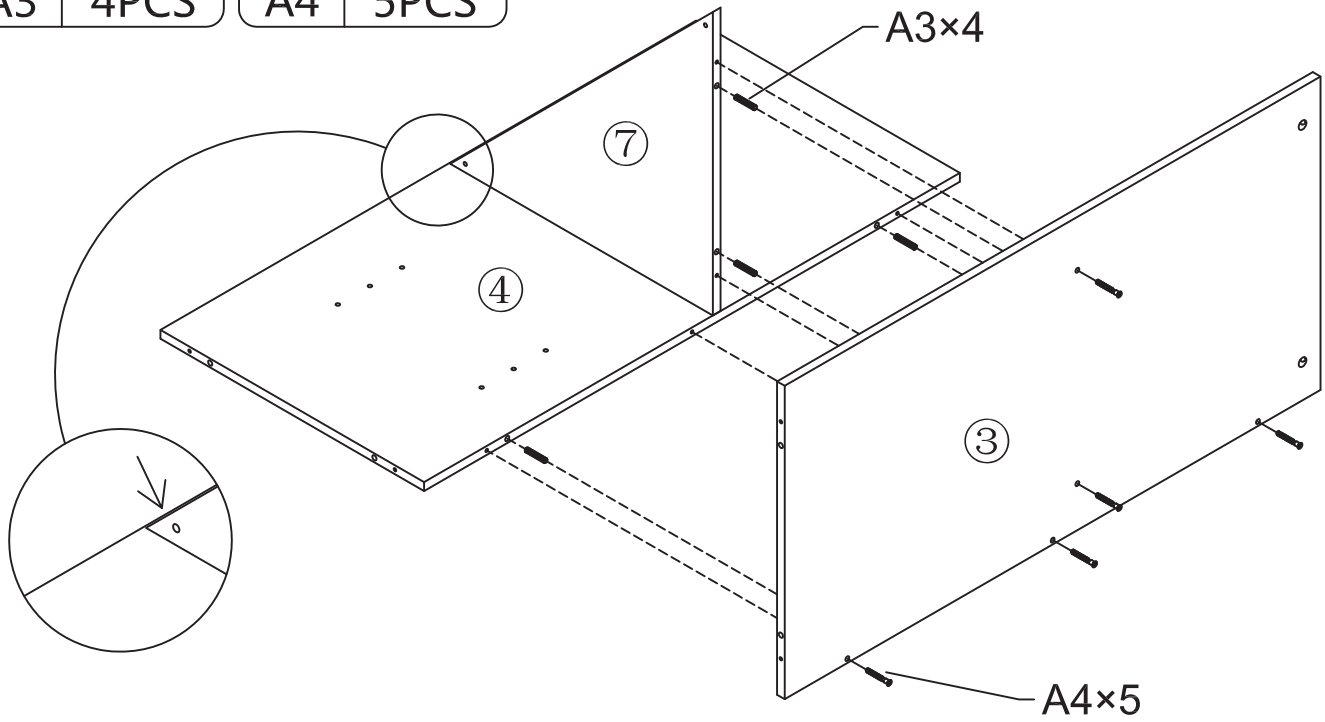
STEP 6




STEP 7

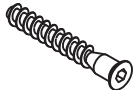

$\varnothing 6 \times 30$
A3 4PCS

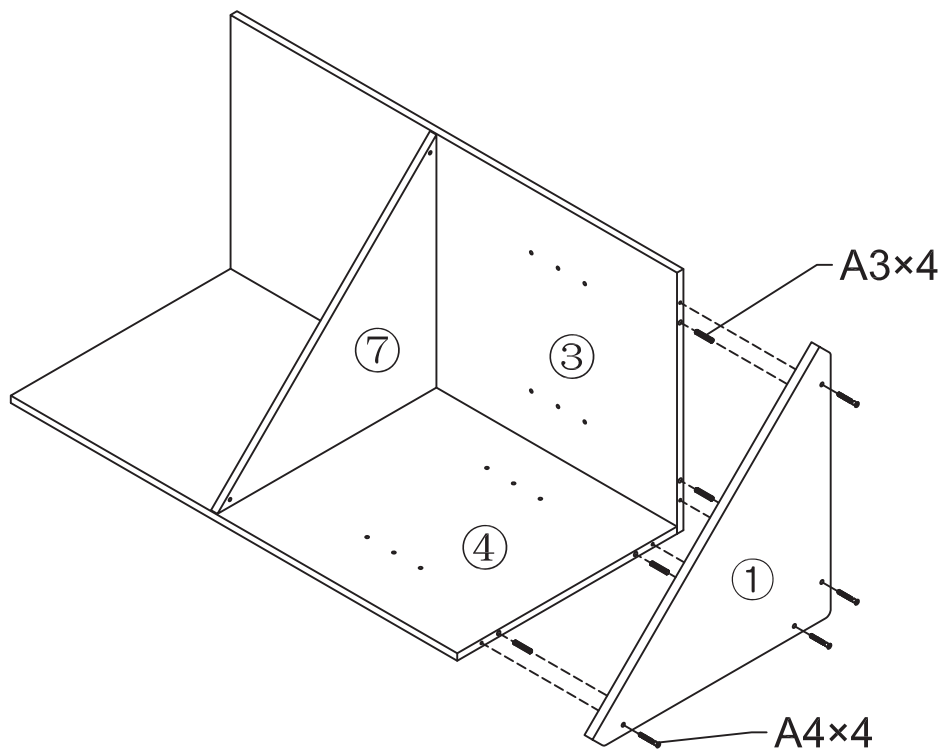

5×35
A4 5PCS



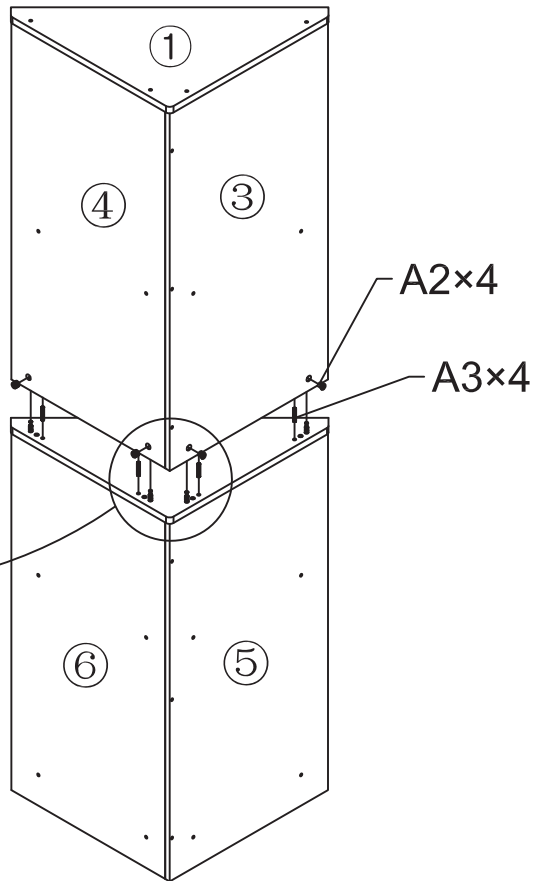
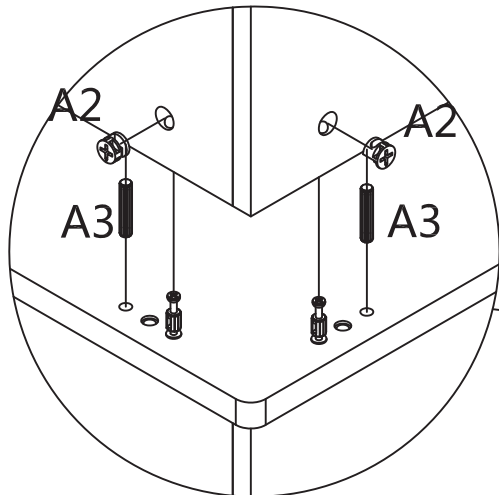
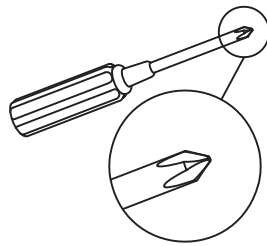
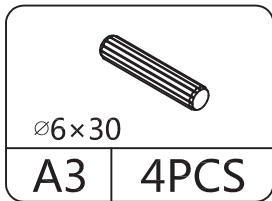
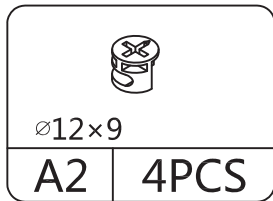
STEP 8


$\varnothing 6 \times 30$
A3 4PCS

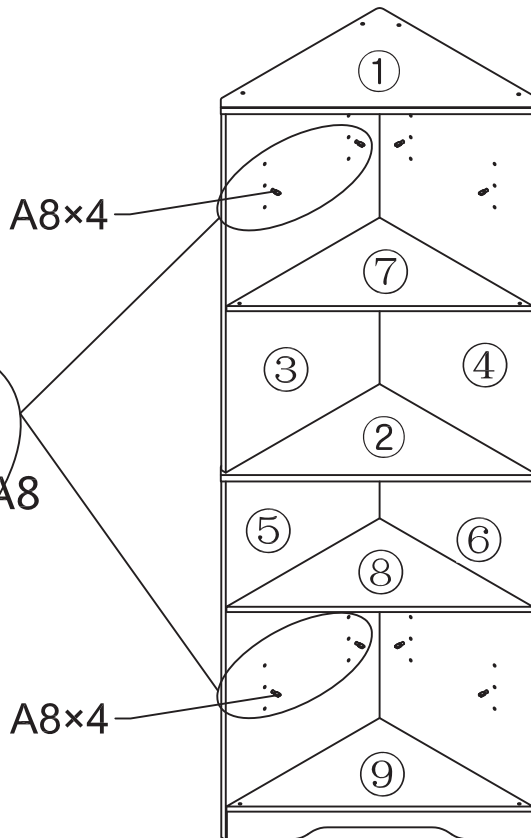
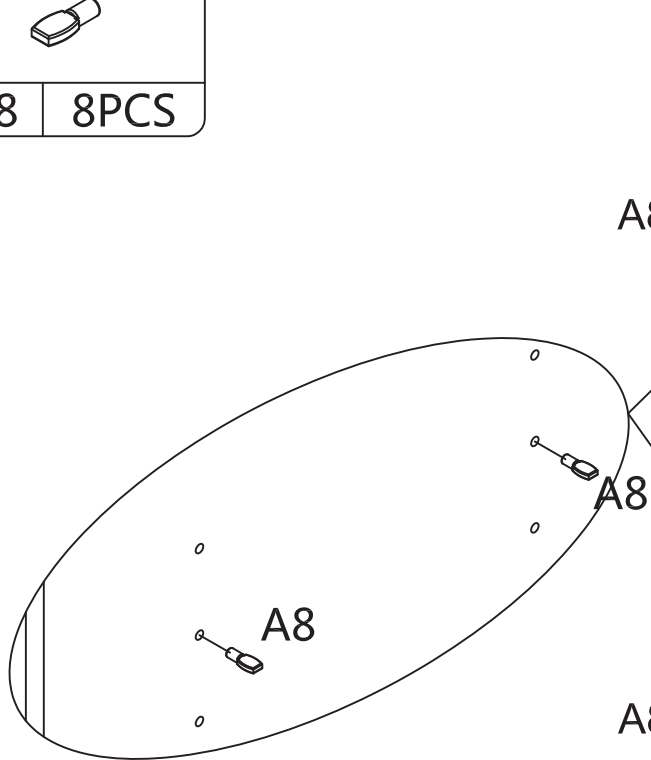
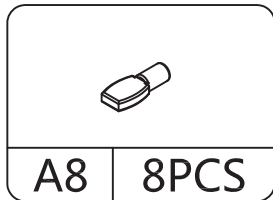

5×35
A4 4PCS



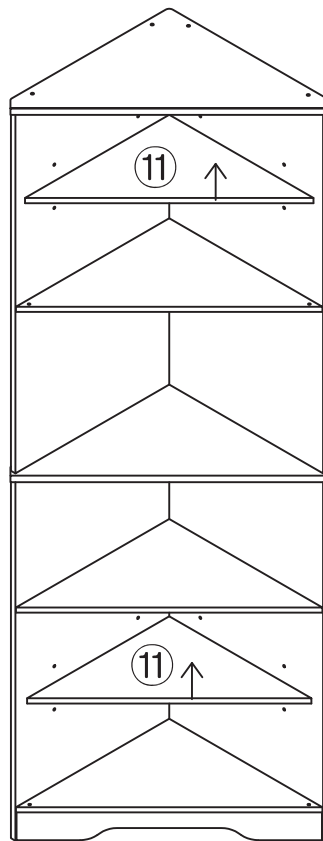
STEP 9



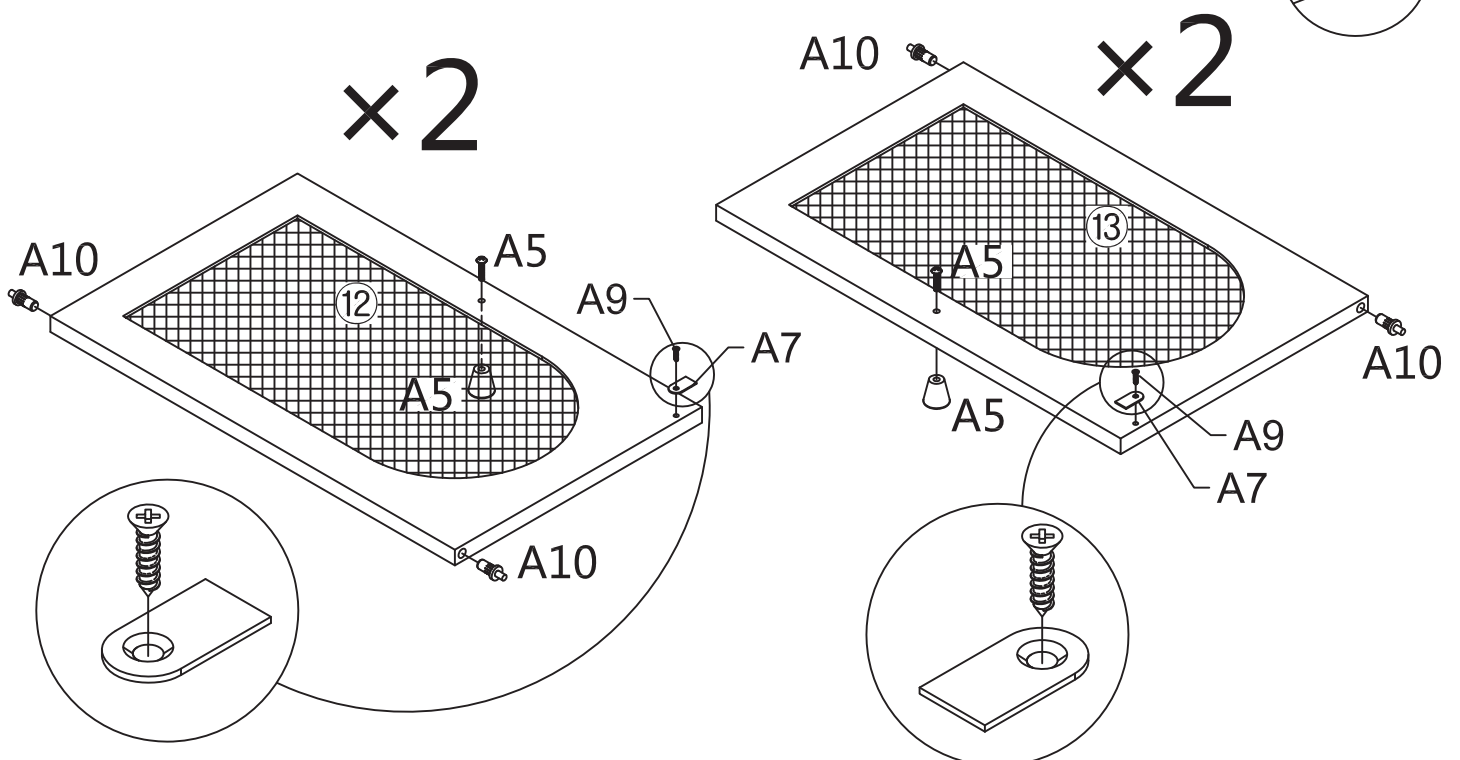
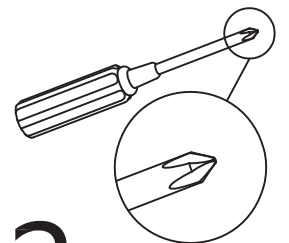
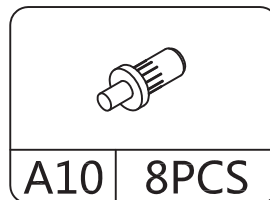
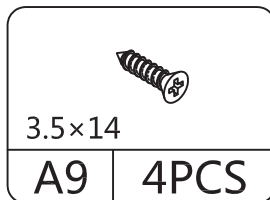
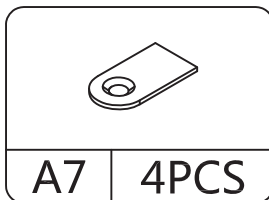
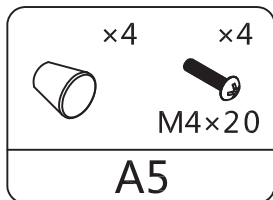
STEP 10



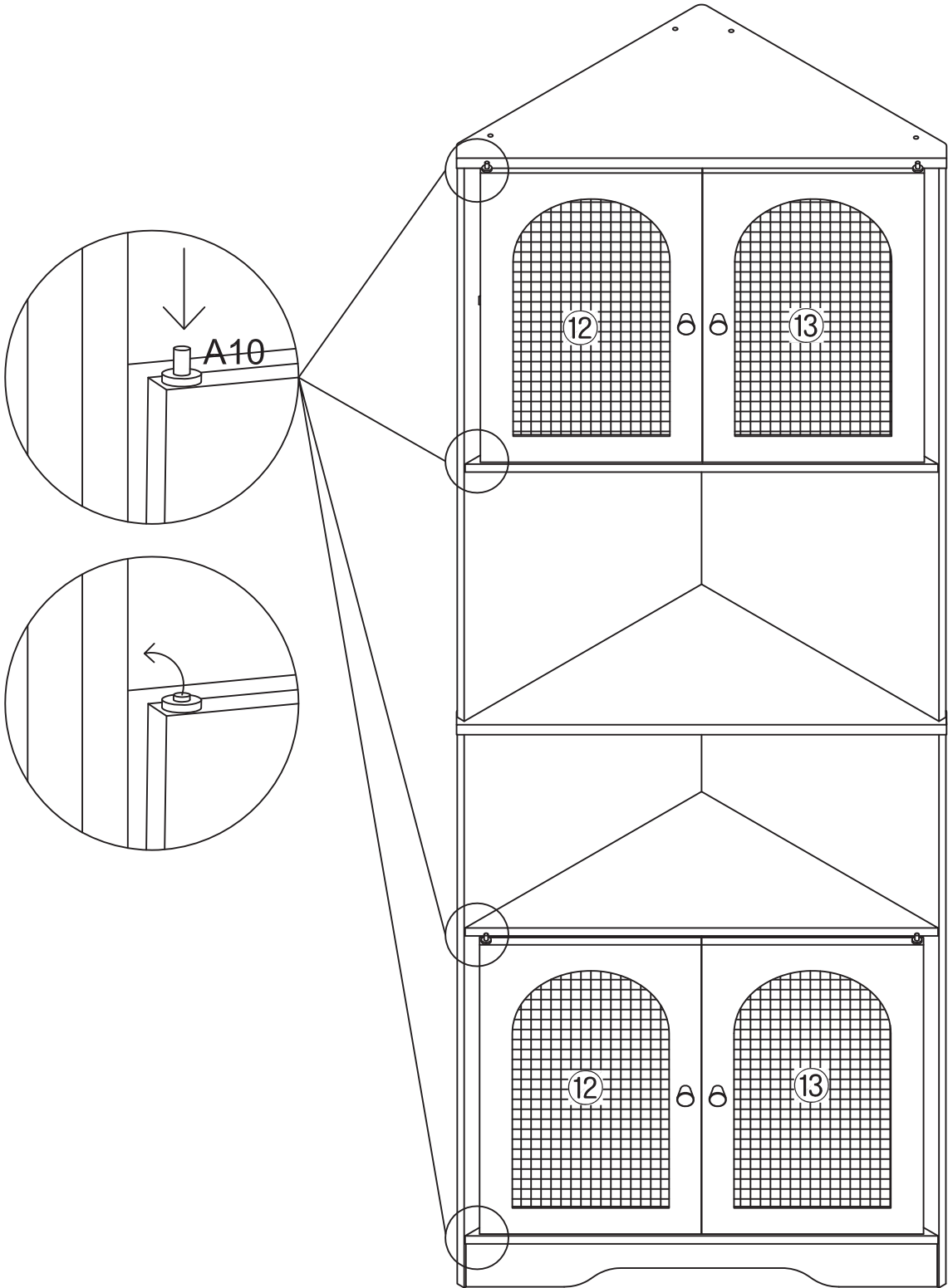
STEP 11



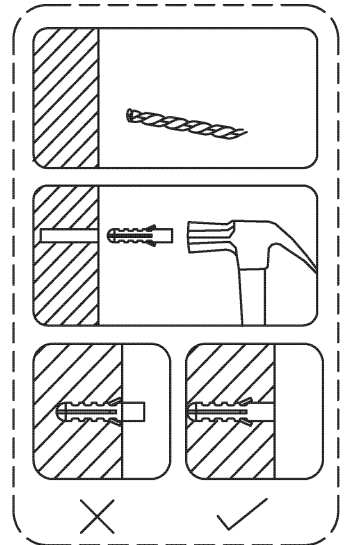
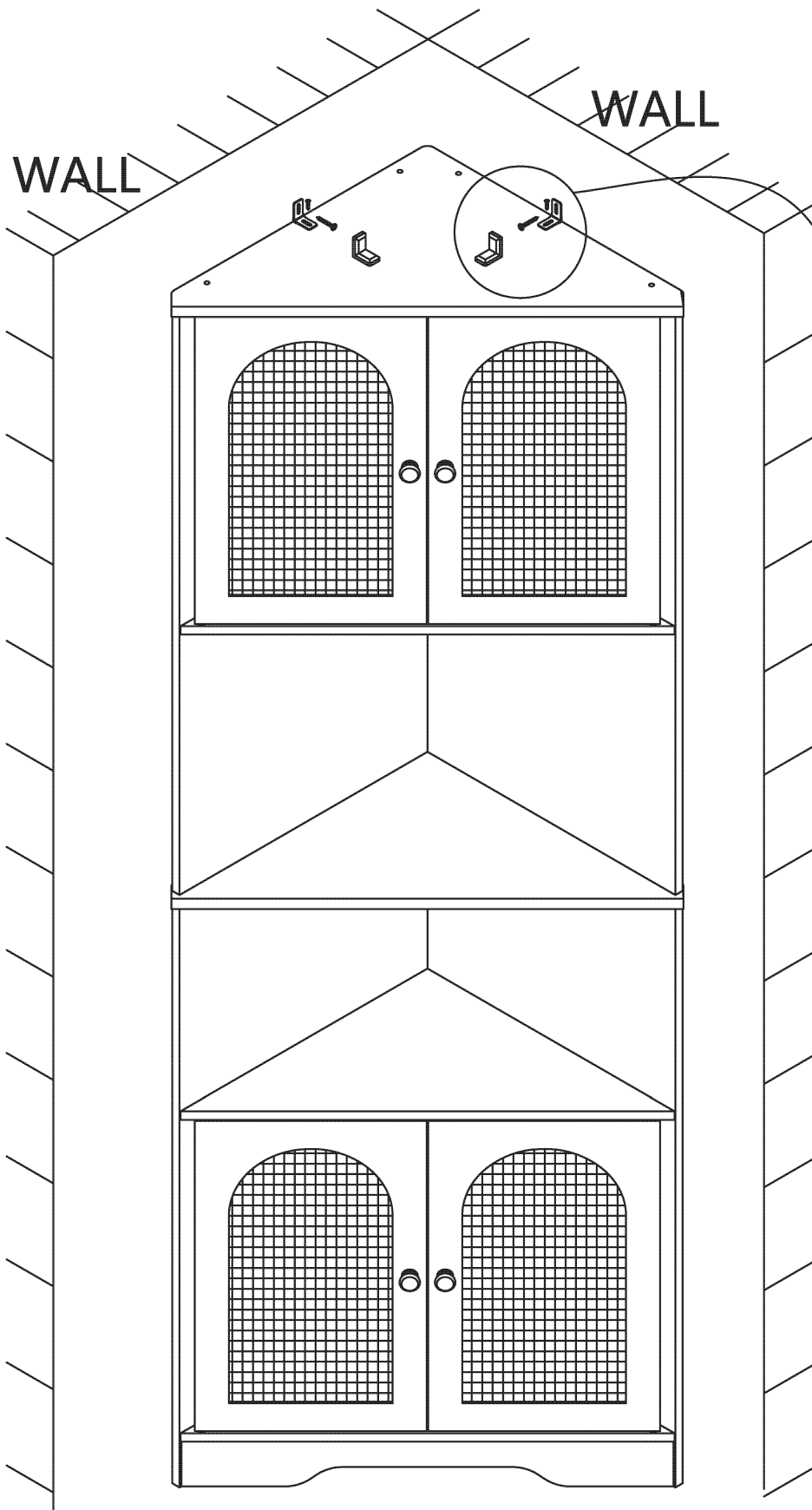
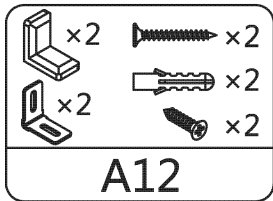
STEP 12



STEP 13



STEP 14



Secure to wall
for stability

