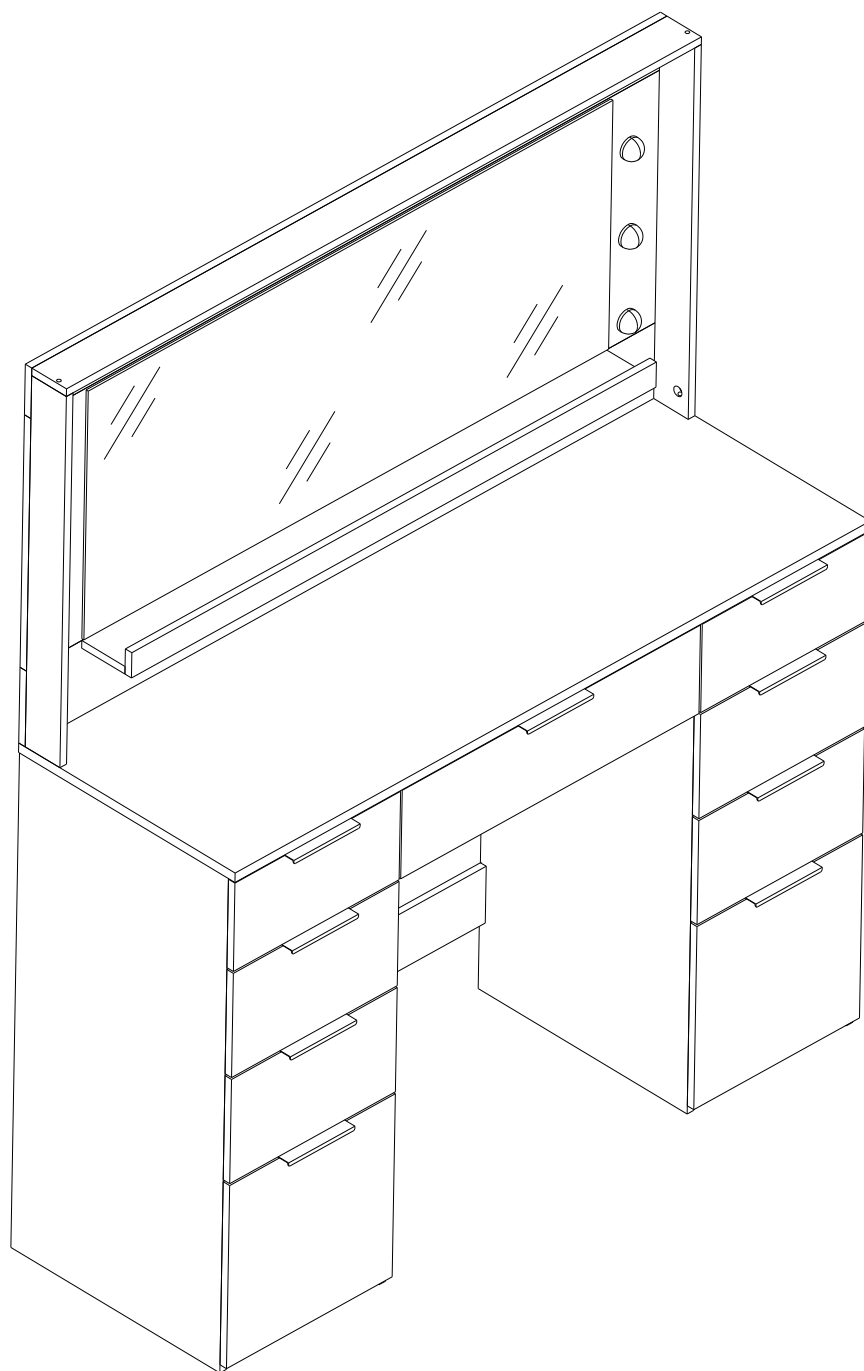


Installation & Assembly





IMPORTANT INFORMATION

READ CAREFULLY.

KEEP THIS INFORMATION FOR FURTHER REFERENCE.

GENERAL GUIDELINES

- Please read the following instruction carefully and use the product accordingly.
- Please keep this manual and hand it over when you transfer the product.
- This summary may not include every detail of all variations and considered steps. Please **contact us** when further information and help are needed.

NOTES

- Please follow the assembly instructions precisely and only use the product as intended.
- If an odor is present when first opening the package, please leave the unwrapped product in a shaded and ventilated area for a few days to air out.
- Prior to assembly, please check the product for defects or missing accessories. If any defects are found or accessories are missing, do not use product as damage or injury may occur; Please **contact us** for assistance and replacement.
- During assembly, please only slightly tighten all screws in their correct position first, then fully tighten them. A Philips screwdriver is recommended but not included.
- It is suggested you regularly check the products bolts and connections to ensure safe use.
- Assemble the item on a soft flat and clean surface to avoid scratches and damage.
- It is recommended that two people assemble this product.

WARNINGS

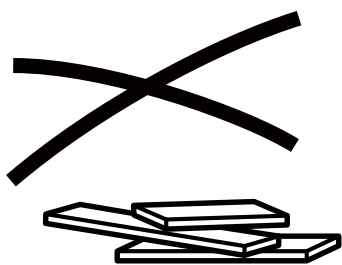
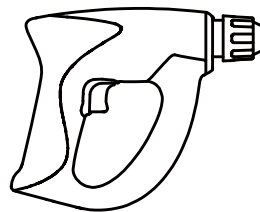
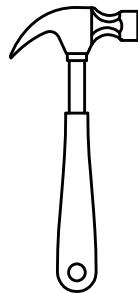
- During assembly, keep parts and packaging materials away from children and pets as there could cause injury and are a potential choking hazard.
- Avoid sharp objects or corrosive chemicals to prevent damage to the product.
- Please open the item slowly and cautiously to avoid pinching your hands by metal joints, especially children.

ANTI-TIP WARNING

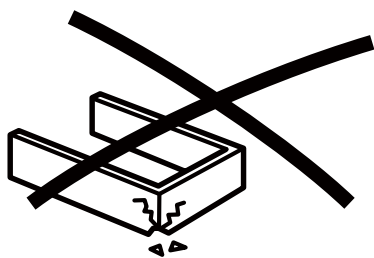
- Serious or fatal crushing injuries can occur from furniture tip-over. To prevent this furniture from tipping over it must be permanently fixed to the wall.
- Since different wall materials require different types of fixing device, for advice on suitable fixing systems, contact your local specialized dealer.

Tools Needed

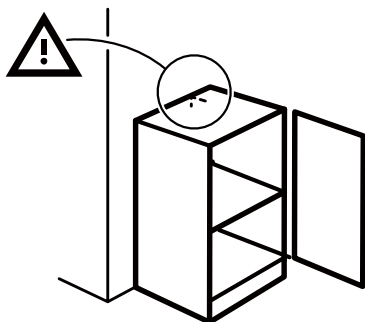
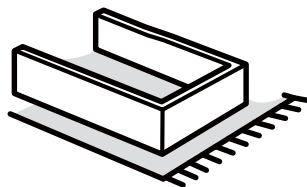
(not included)



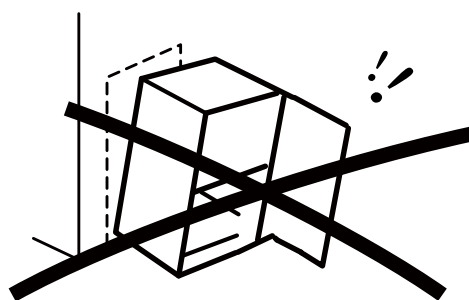
Prepare Tools
Instead of
Coming Empty
Handed



Handle Gently



Gently Push
Against the
Wall and Do
Not Tip Over



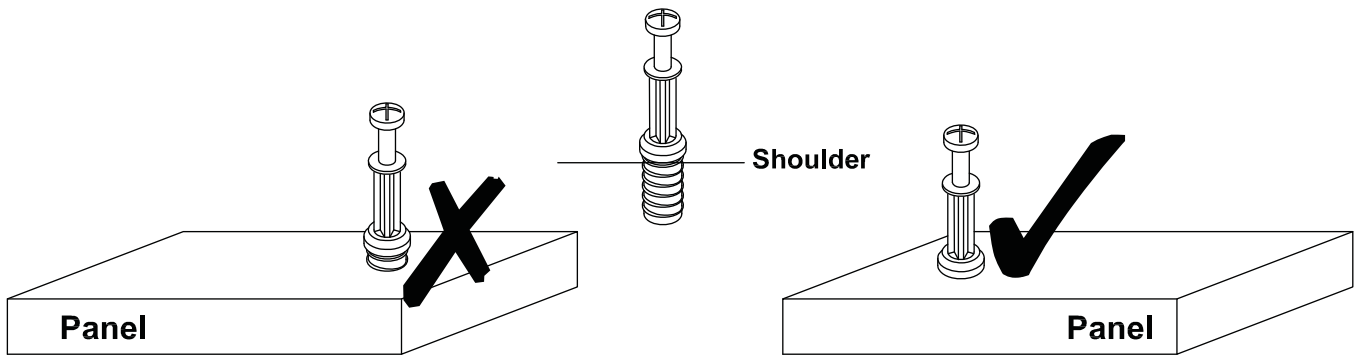
Tips:

- If you have any further questions, please feel free to contact us via Amazon, We will reply ASAP .
- Before installation, please make sure you have all the hardware, the serial numbers are properly labeled corresponding to the list, and the quantity is correct.
- Enjoy your new purchase!

USING CAM LOCK AND QUICKFIT

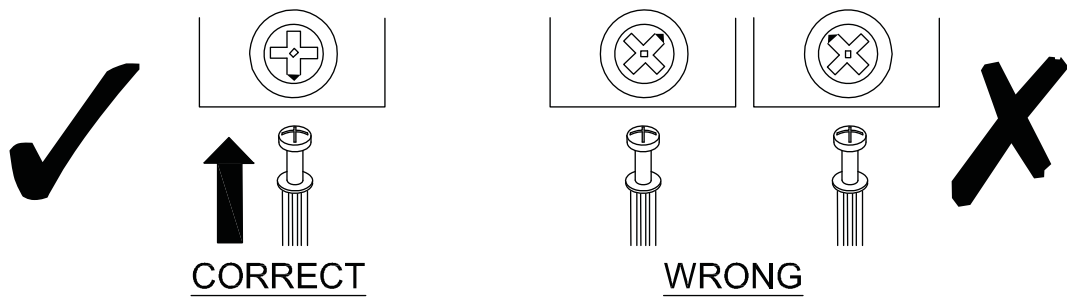
Tips before you start:

QUICKFIT



Tighten quickfit until shoulder is flush with panel. Do not overtighten or undertighten.

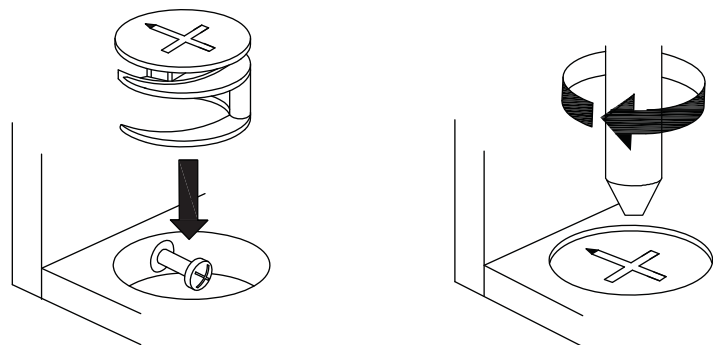
CAM LOCK



When fitting cam lock, ensure starting position is correct before you insert connecting quickfit.

Quickfit head should be in the centre of the cam lock when the two panels are joined.

Cam lock should be inserted before quickfit.



Turn cam lock clockwise to tighten.

Important note:

If plastic wall plugs (rawl plugs) are supplied with your product, e.g.:



- these are only suitable for use in masonry walls.

If you are in any doubt about the correct wall plugs for your wall, seek professional advice.


Failure of the product due to using the incorrect fixings is the responsibility of the installer.



Important: when drilling into walls always check that there are no hidden wires or pipes etc.

Make sure that the screws and wall plugs being used are suitable for supporting your unit. Consult a qualified tradesperson if you are unsure.

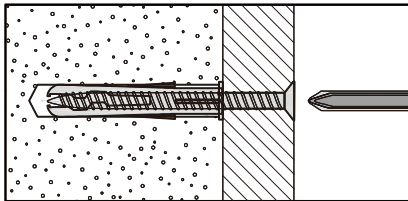
Hints:

- 1: General rule:  always use a larger screw and wall plug if you are not sure.
- 2: Ensure you use the recommended drill bit to match the wall plug and hole size.
- 3: Ensure you drill the hole horizontally; do not force the drill or enlarge the hole.
- 4: Take extra care when drilling high walls, ceilings and ceramic tiles. Ensure wall plugs are inserted beyond the thickness of the ceramic tiles to avoid the tiles splitting or cracking.
- 5: Ensure wall plugs are well fitted and are a tight fit in the drilled hole.

Types of walls

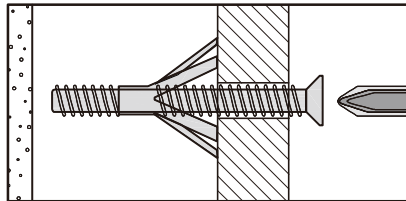
You can use one of the following types of wall plug if your walls are made of brick, breeze block, concrete, stone or wood.

No.1 "General Purpose" wall plug



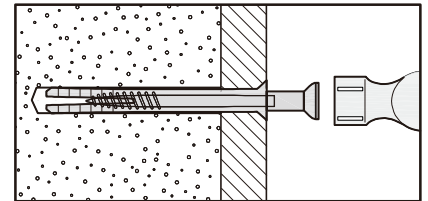
Generally aerated blocks should not be used to support heavy loads, use a specialist fitting in this case. For light loads, general purpose wall plugs can be used.

No.3 "Cavity Fixing" wall plug



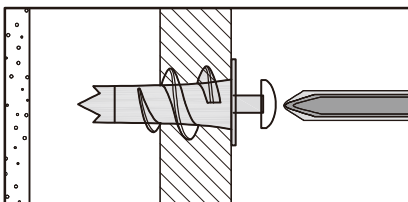
For use with plasterboard partitions or hollow wooden doors.

No.5 "Hammer Fixing" wall plug



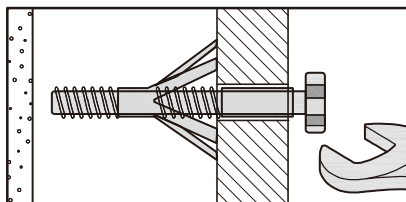
For use with walls stuck with plasterboard. The hammer fixing allows it to be fixed to the wall rather than the plasterboard. Always check the fixing is secure to the retaining wall.

No.2 "Plasterboard" wall plug



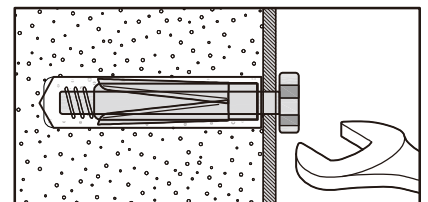
For use when attaching light loads onto plasterboard partitions.

No.4 "Cavity Fixing - Heavy Duty" wall plug



For use when fitting or supporting heavy loads such as shelving, wall cabinets and coat racks.

No.6 "Shield Anchor" wall plug - heavy loads



For use with heavier loads such as TV and HiFi speakers and satellite dishes etc.

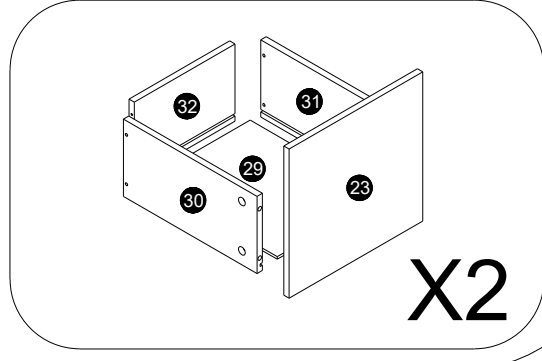
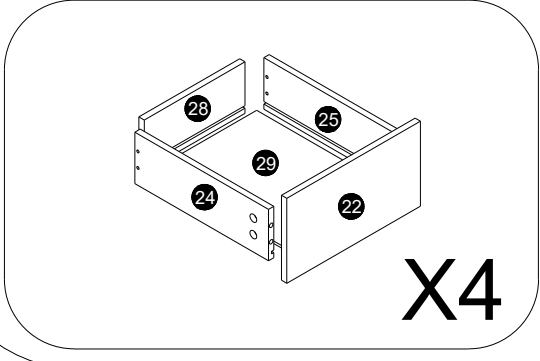
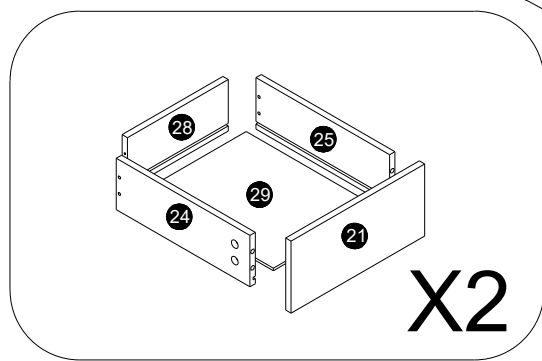
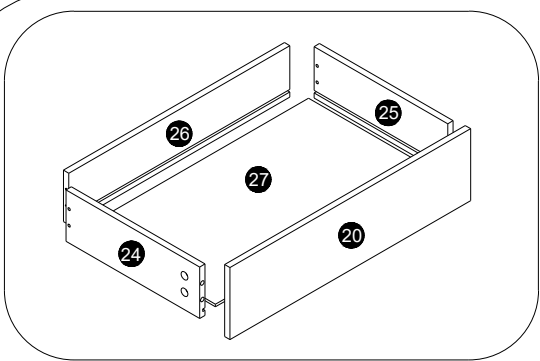
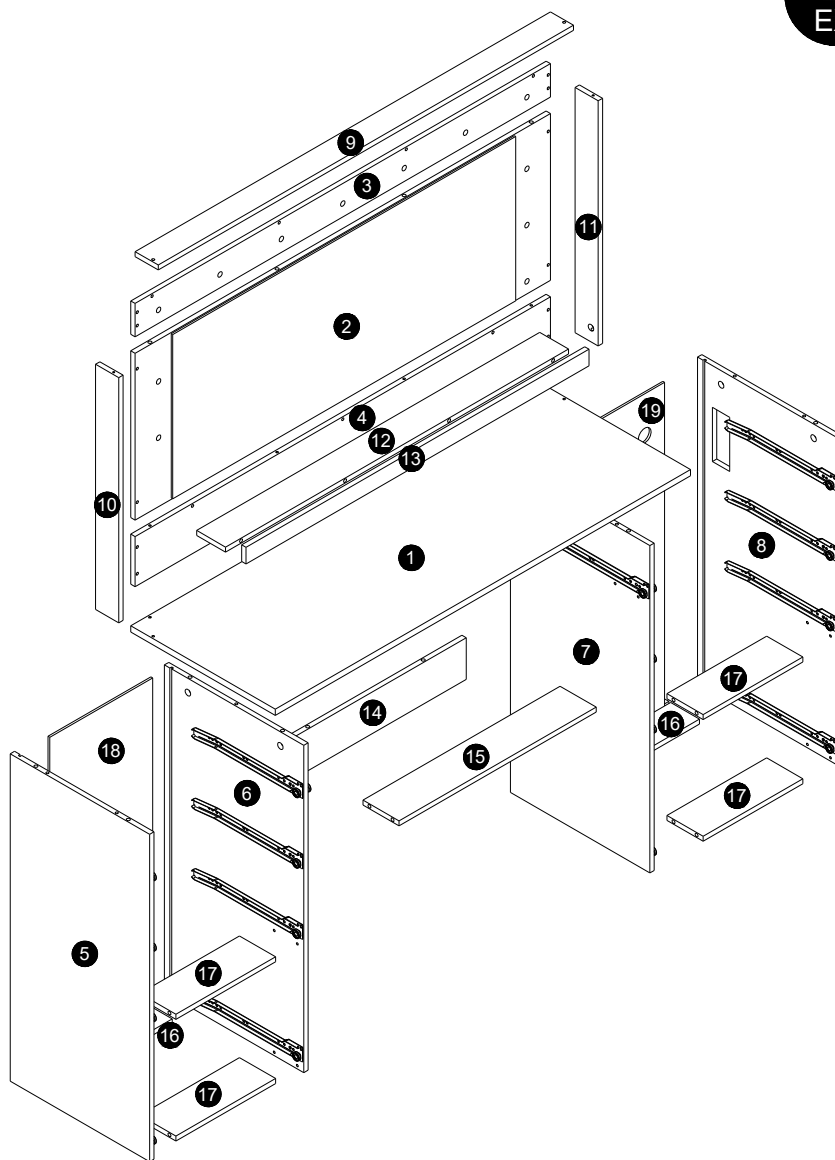


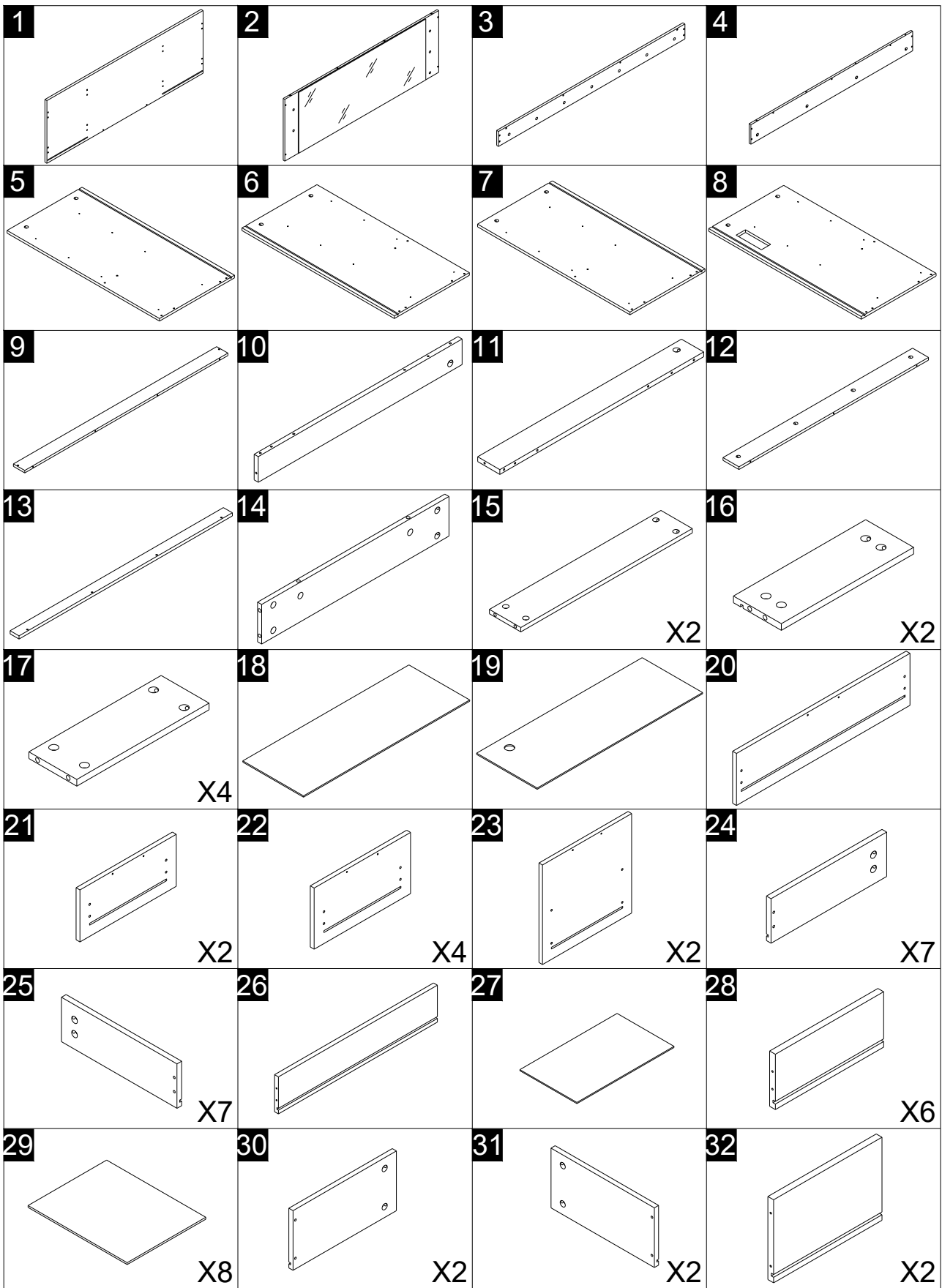
Care & Maintenance

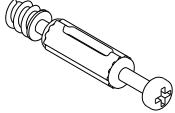
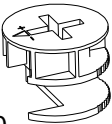
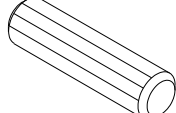
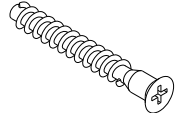
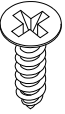
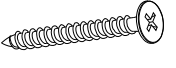
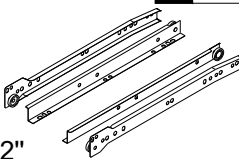
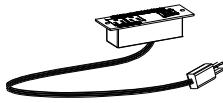
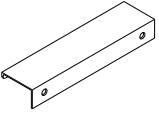
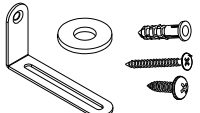
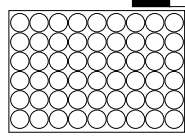
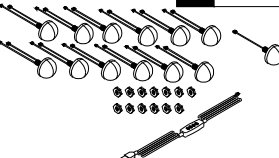
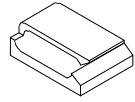
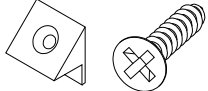

Safety: always check the fitting and location to ensure your safety in and around the home.

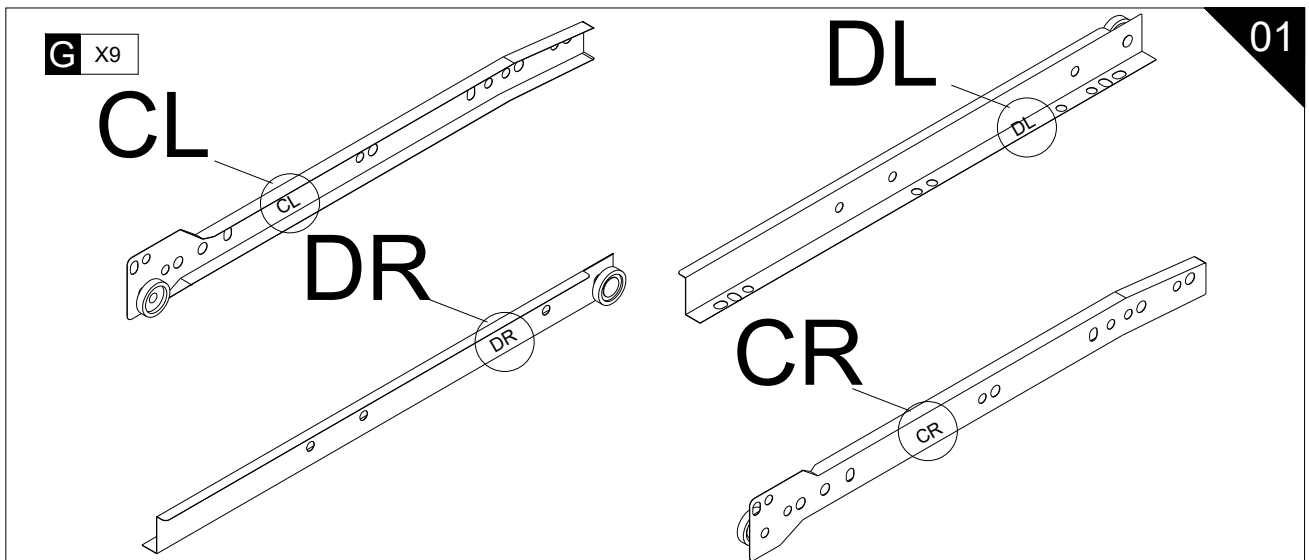
Fitting: from time to time check the fitting to ensure the wall plugs or screws do not become loose.

EXPLOSION MAP





<p>A X100+4</p>  <p>M6*40</p>	<p>B X100+4</p>  <p>Ø15*10</p>	<p>C X8+2</p>  <p>M6*30</p>	<p>D X21+2</p>  <p>M5*38</p>
<p>E X92+4</p>  <p>M3.5*12</p>	<p>F X36+4</p>  <p>M3.5*40</p>	<p>G X9</p>  <p>12"</p>	<p>H X1</p> 
<p>K X9</p> 	<p>O X2</p> 	<p>P X2</p> 	<p>R X1</p> 
<p>S X13+2</p> 	<p>I X12+1</p> 	<p>TOOL</p> 	

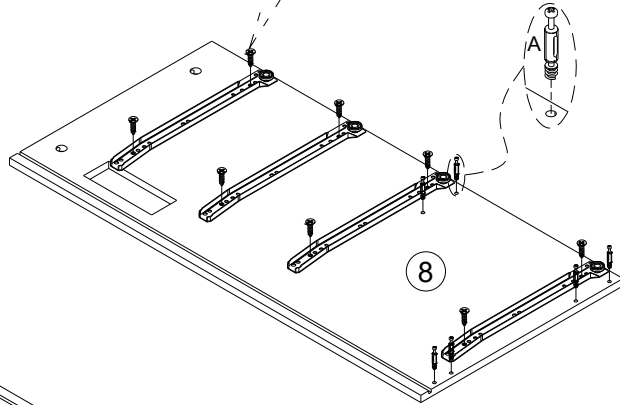
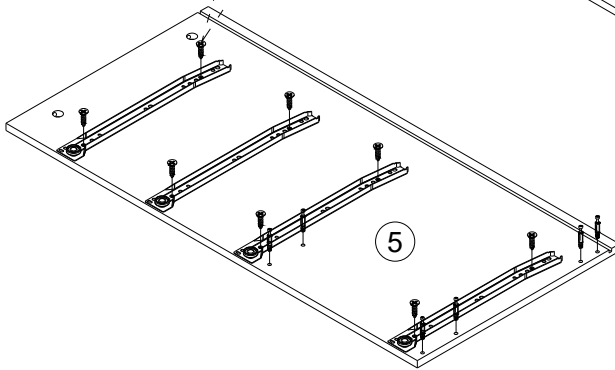
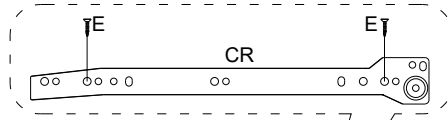


CL X4

CR X4

A X12

E X16

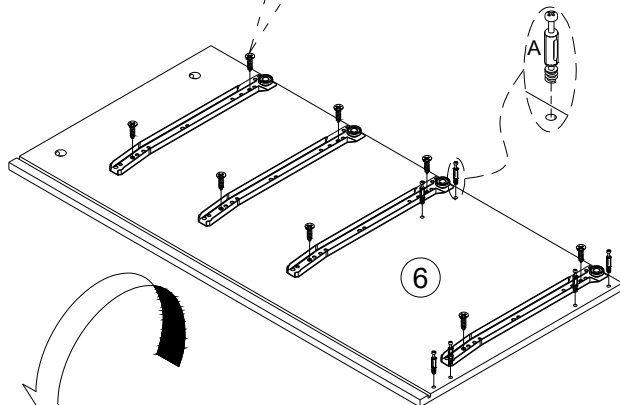
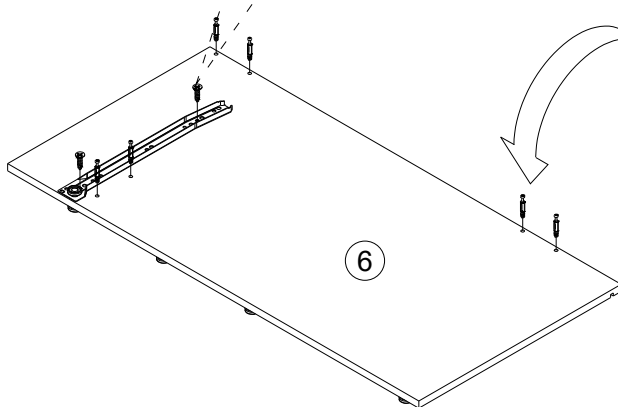
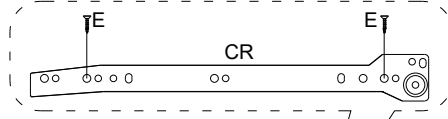
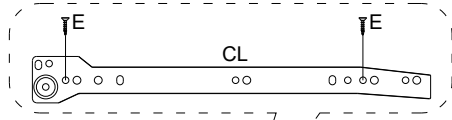


CL X1

CR X4

A X12

E X10

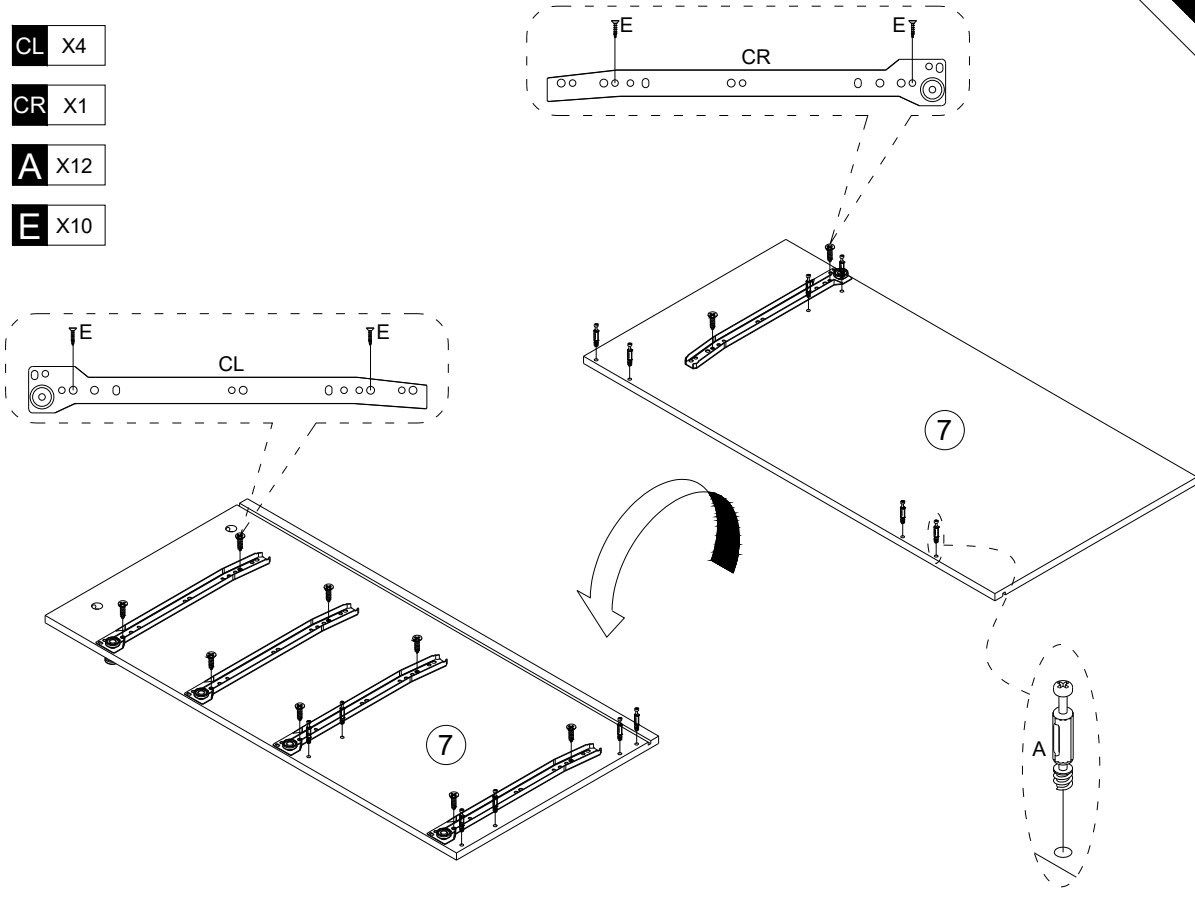


CL X4

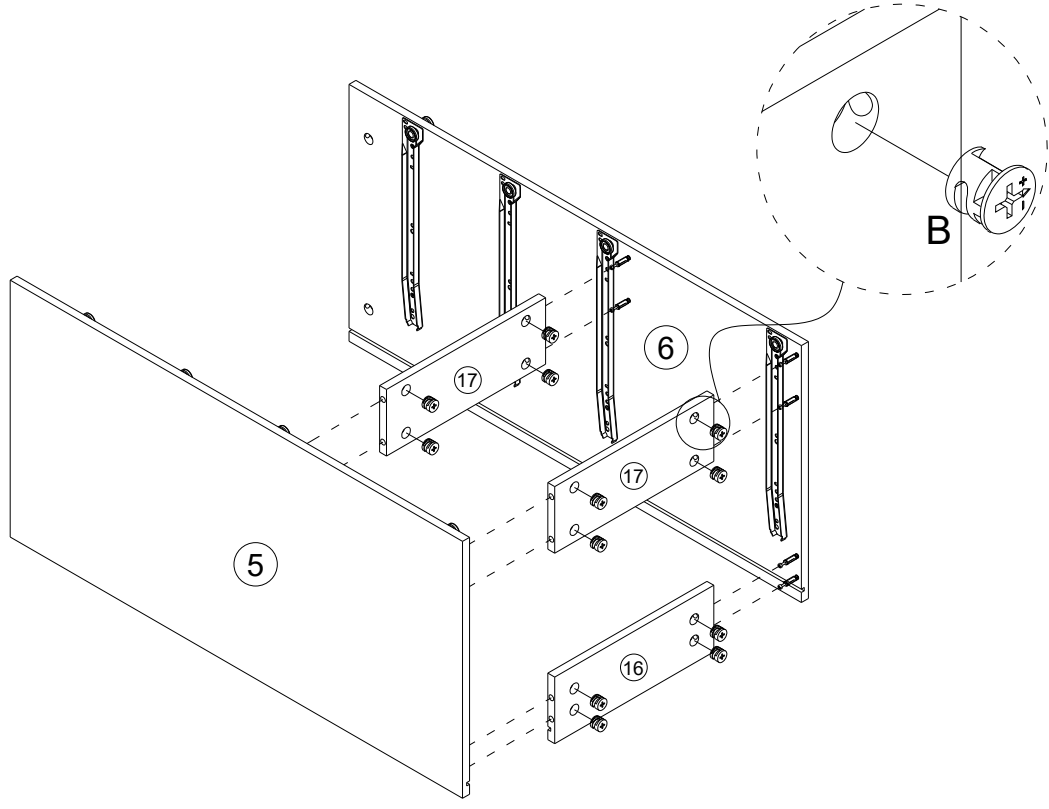
CR X1

A X12

E X10

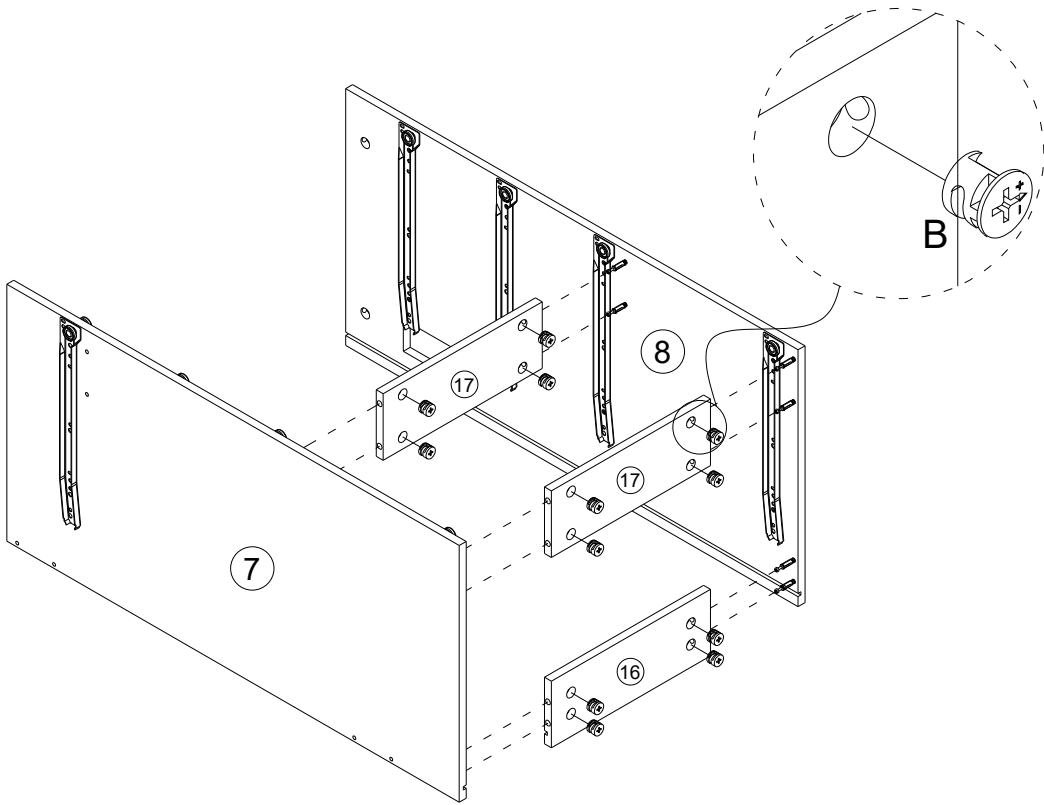


B X12



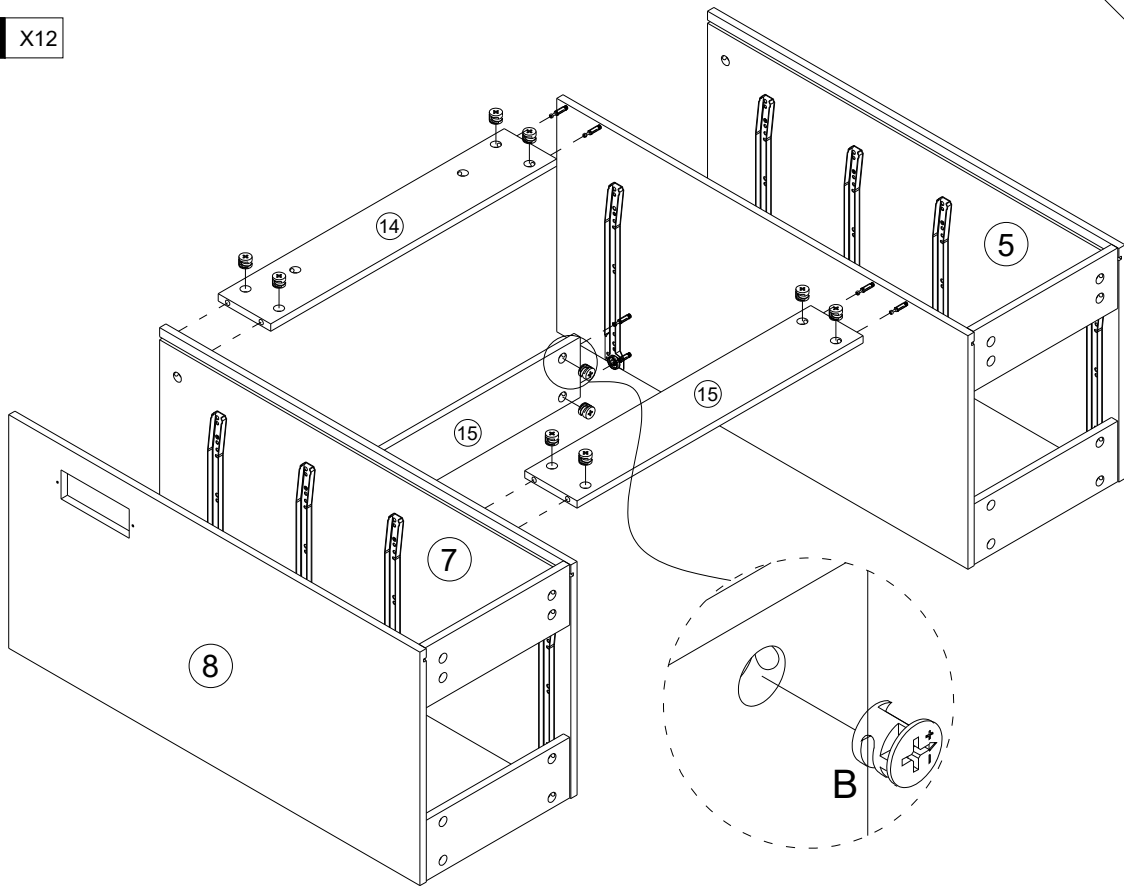
B X12

06



B X12

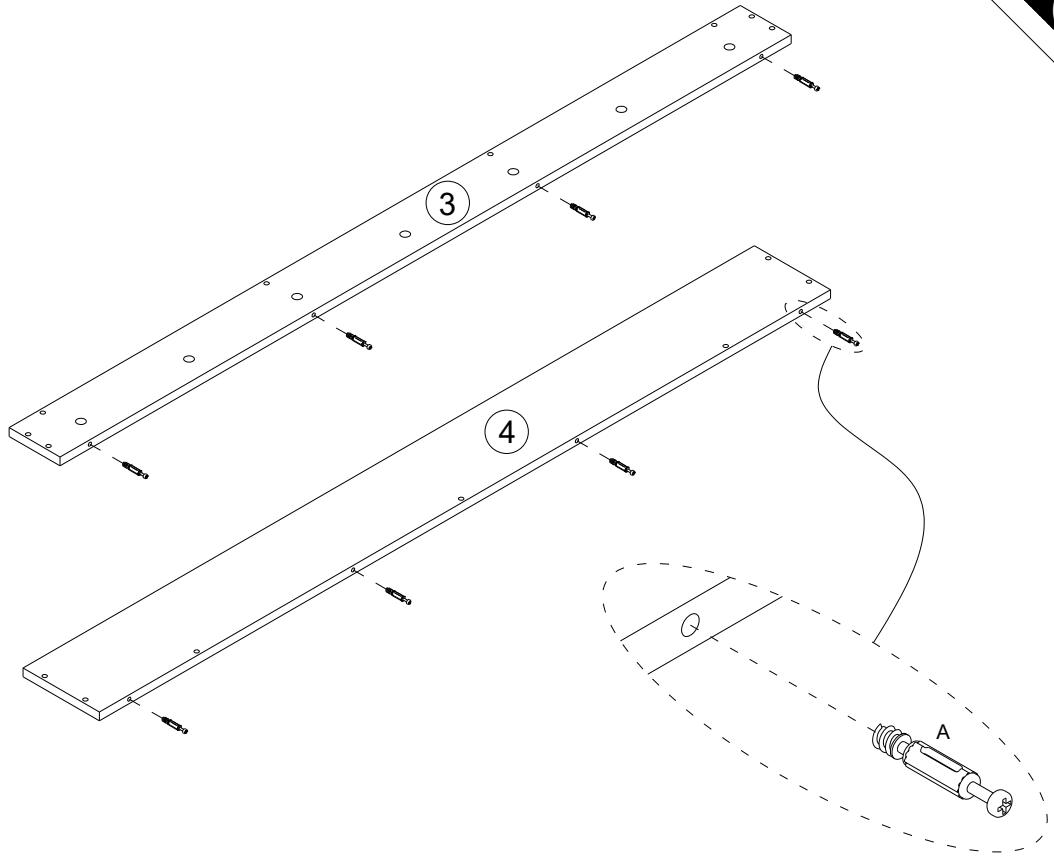
07



5

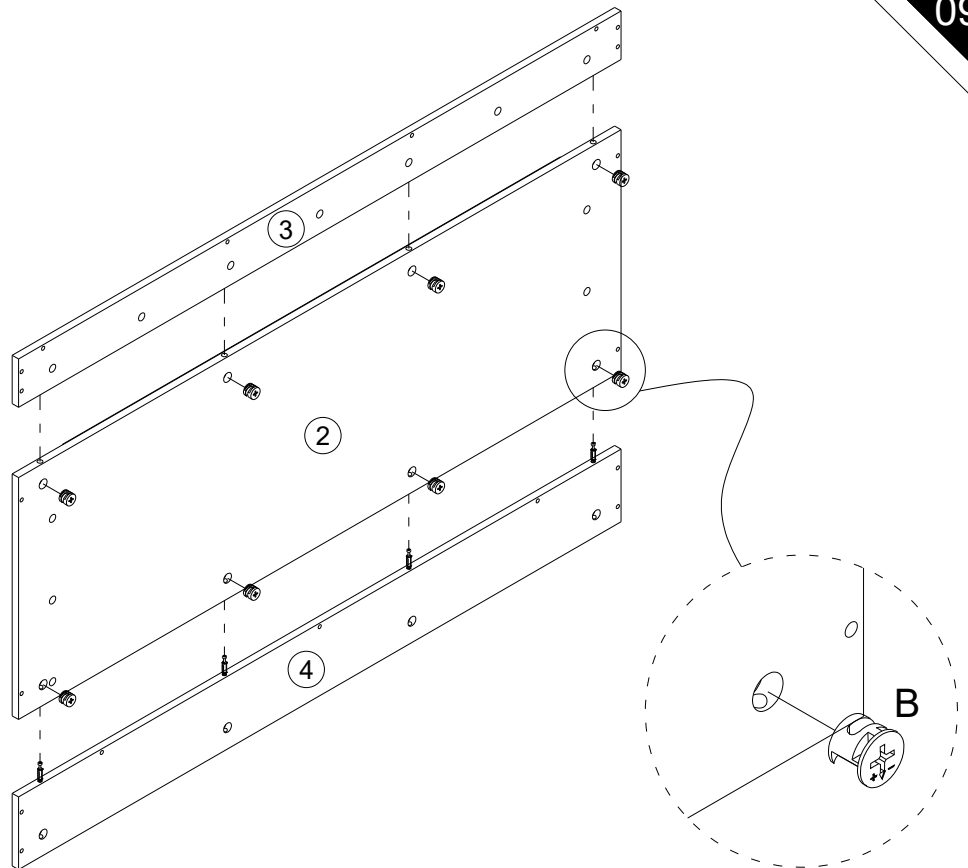
A X8

08



B X8

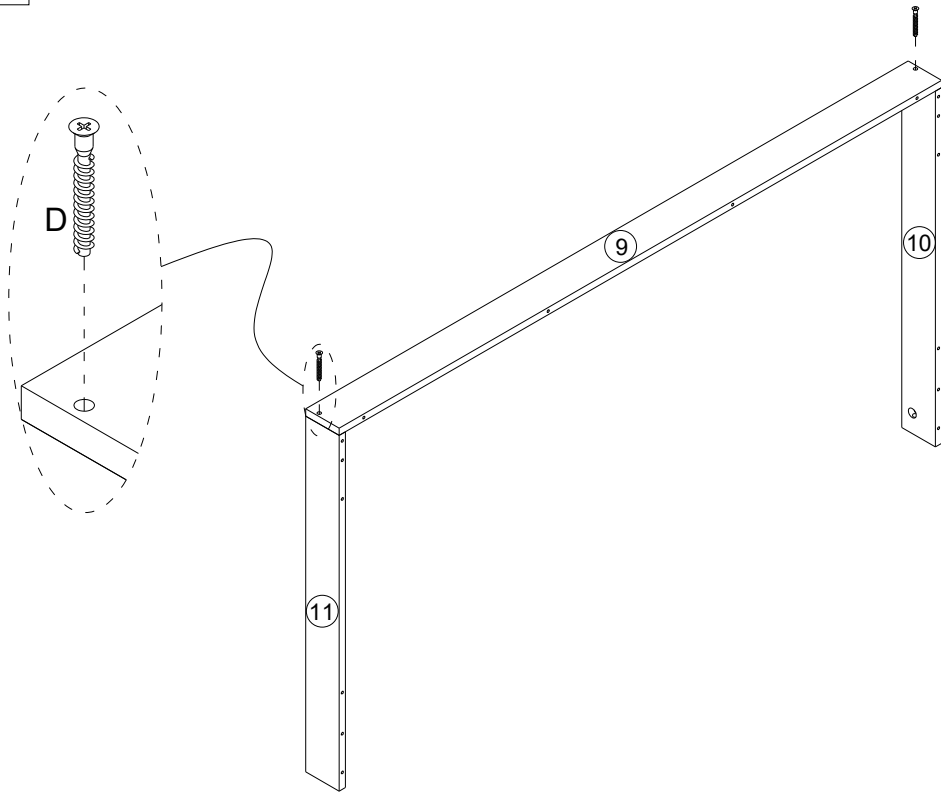
09



6

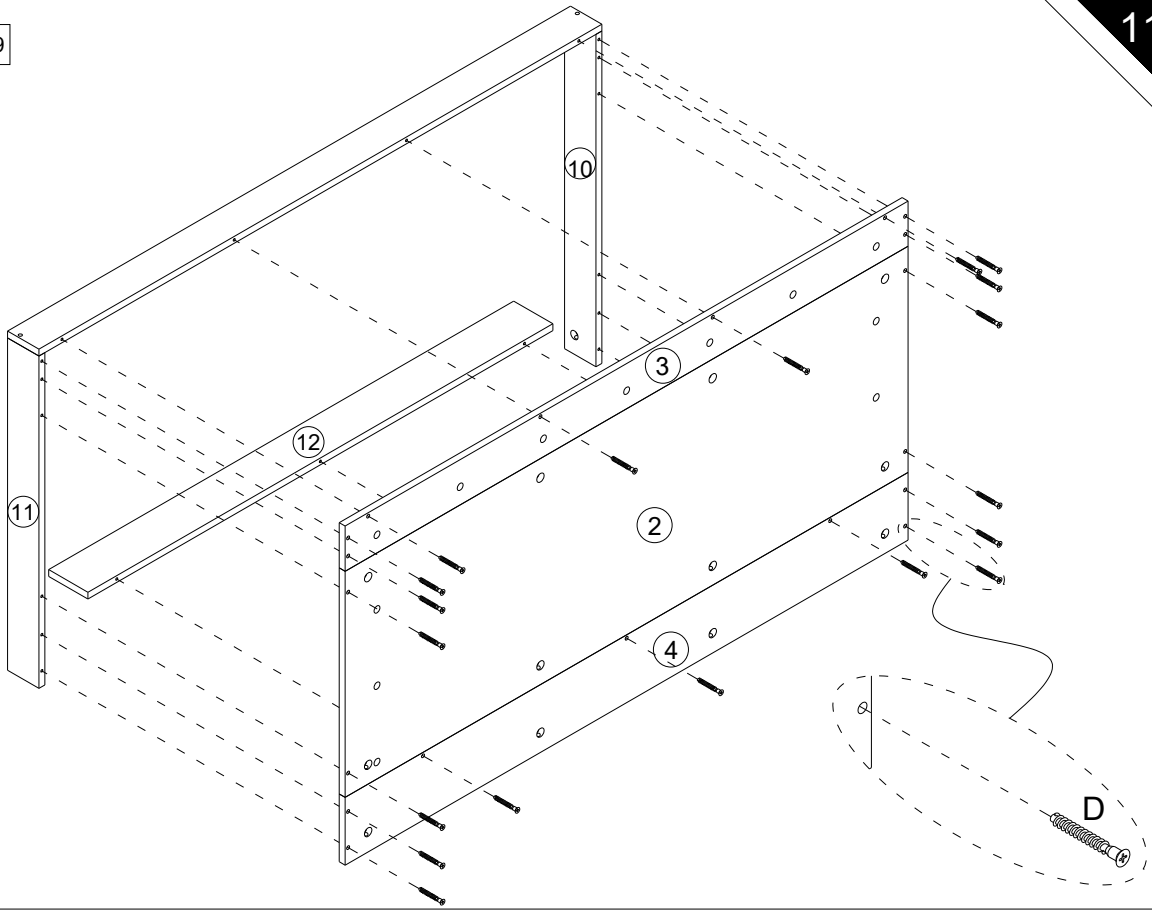
D X2

10



D X19

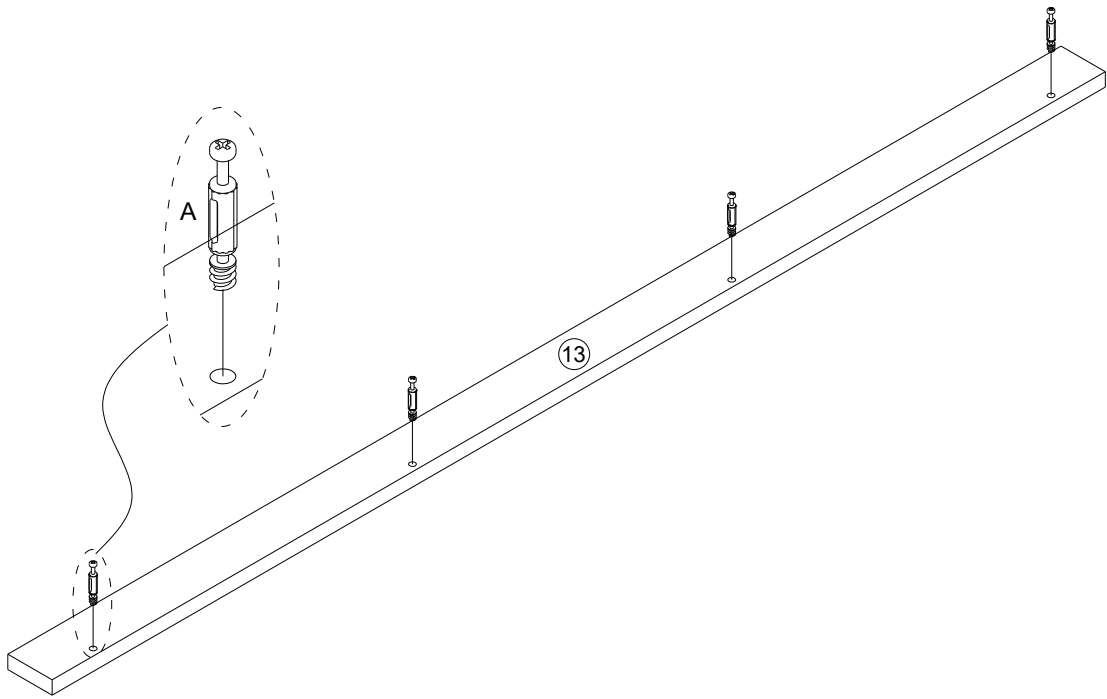
11



7

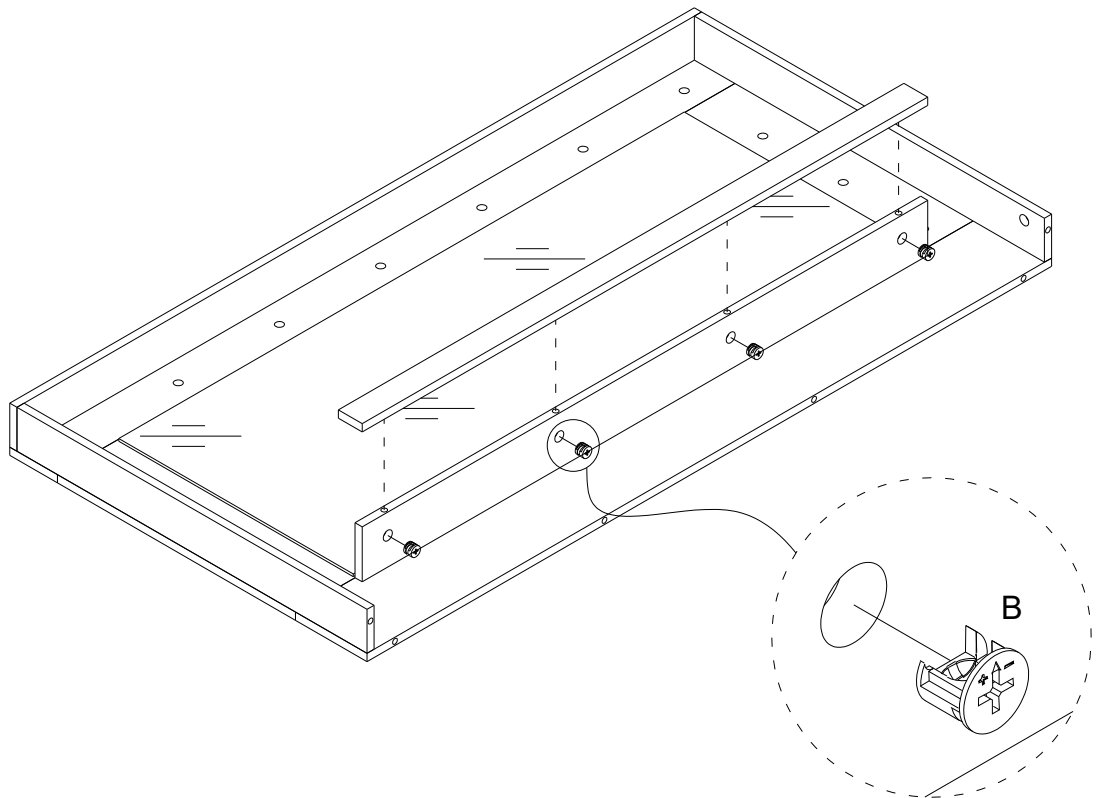
A X4

12



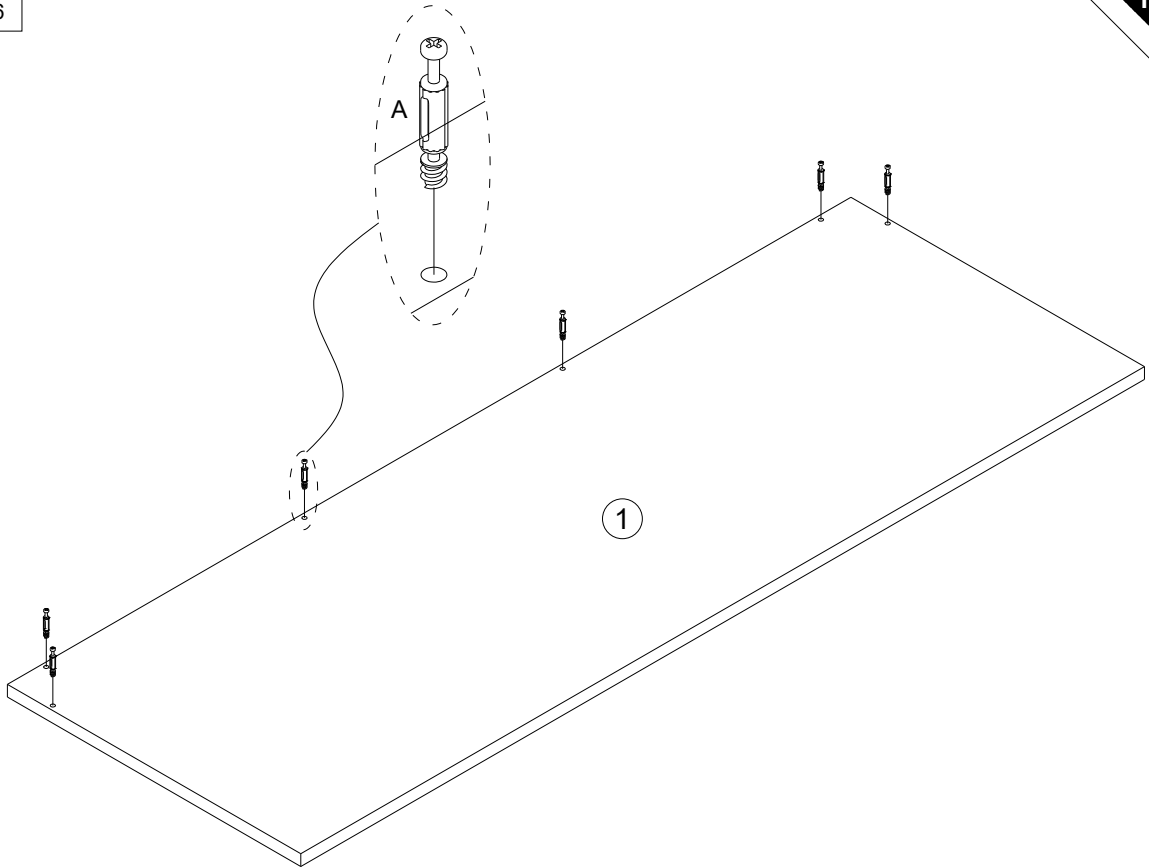
B X4

13



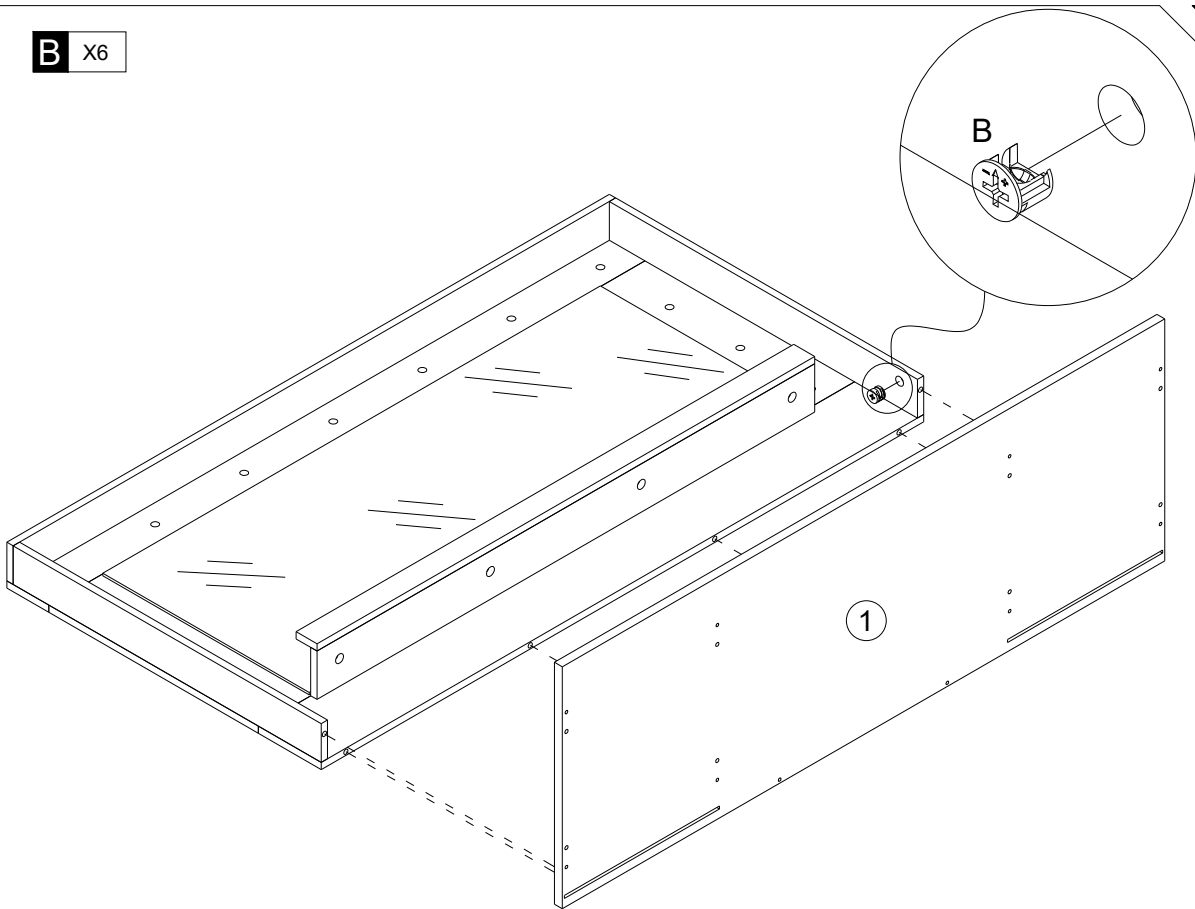
A X6

14



B X6

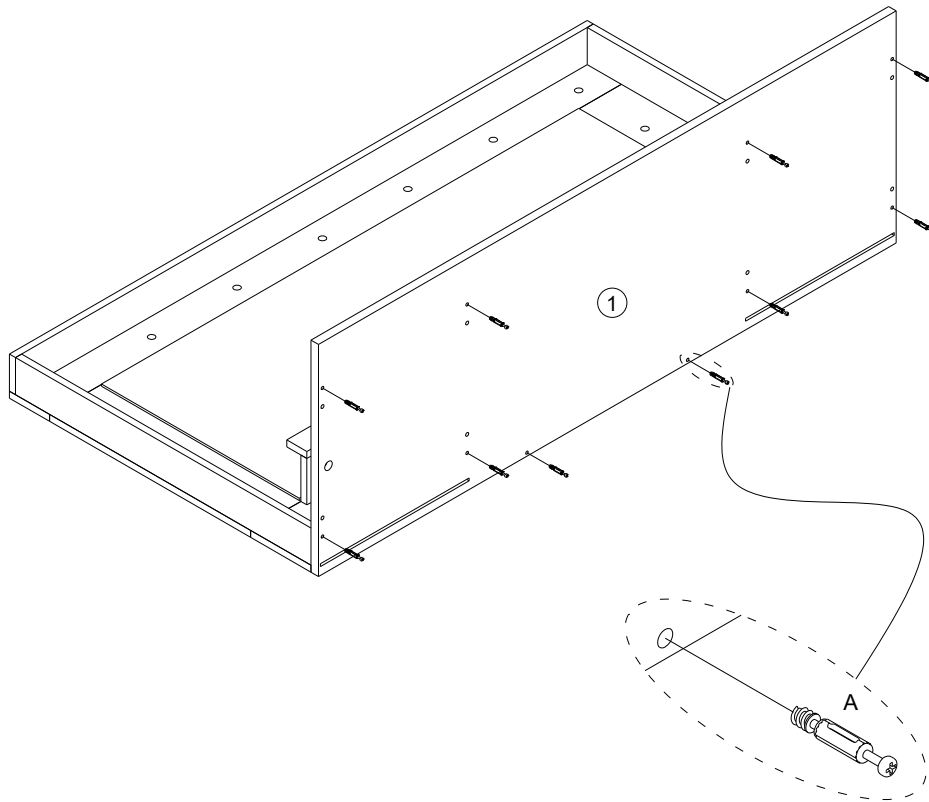
15



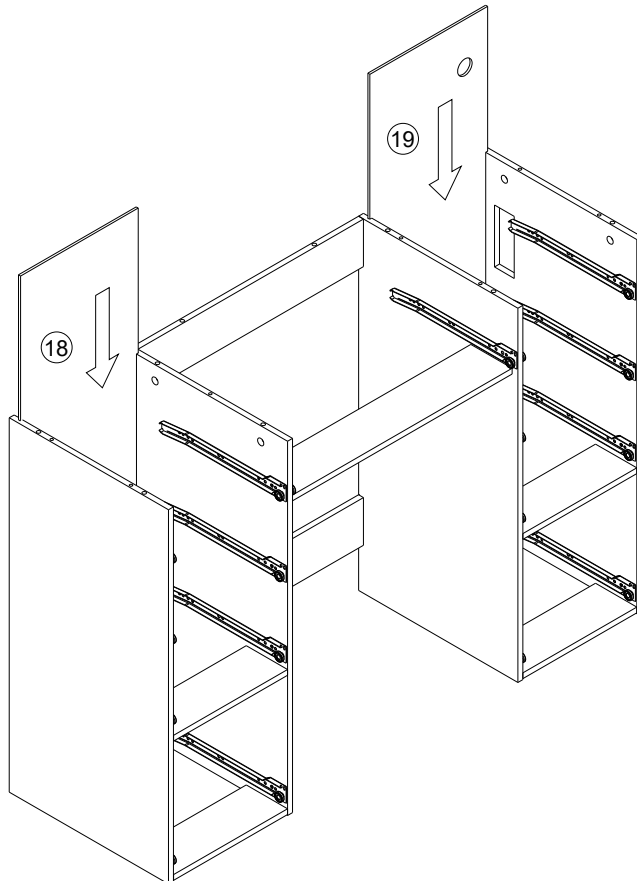
9

A X10

16



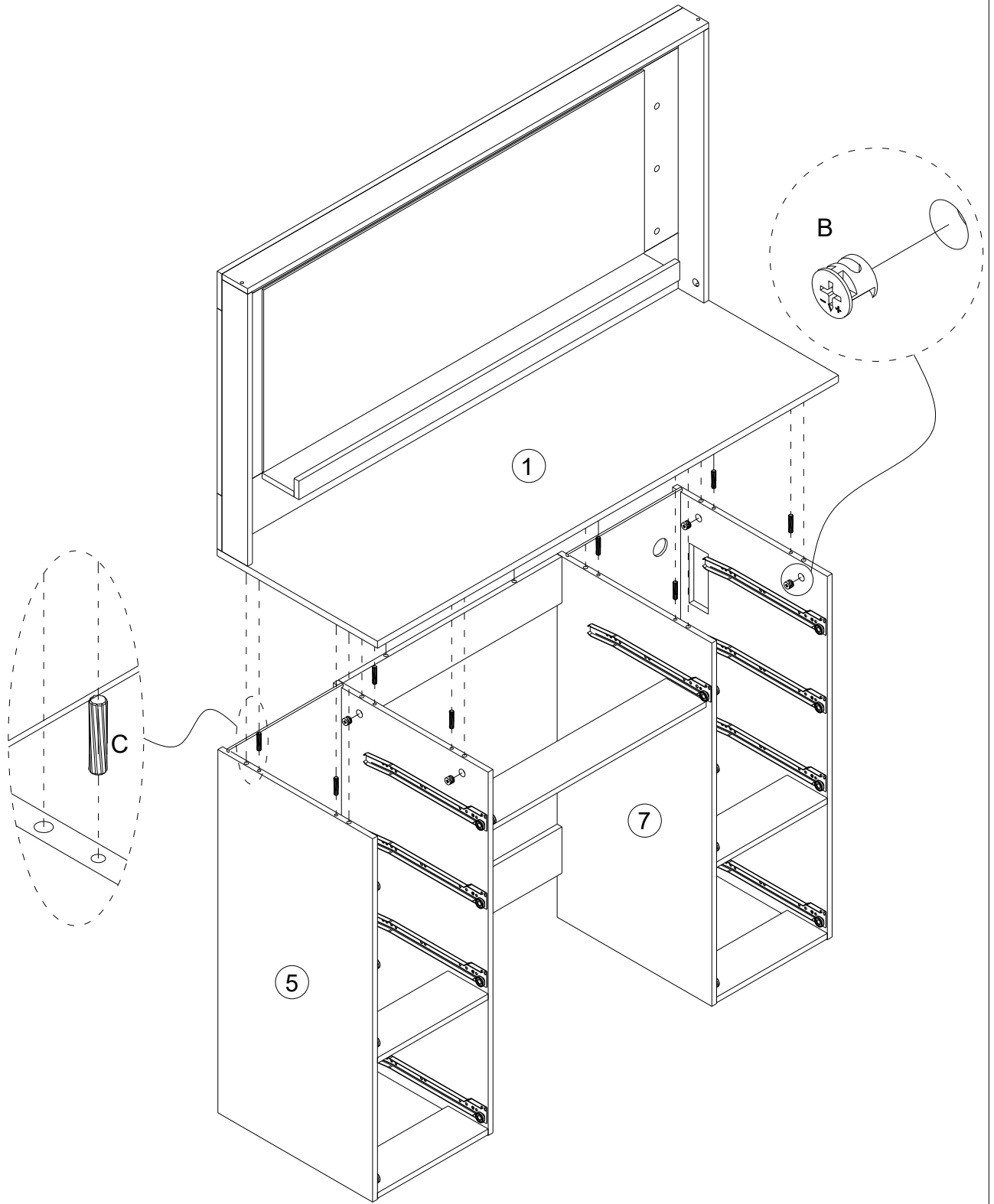
17



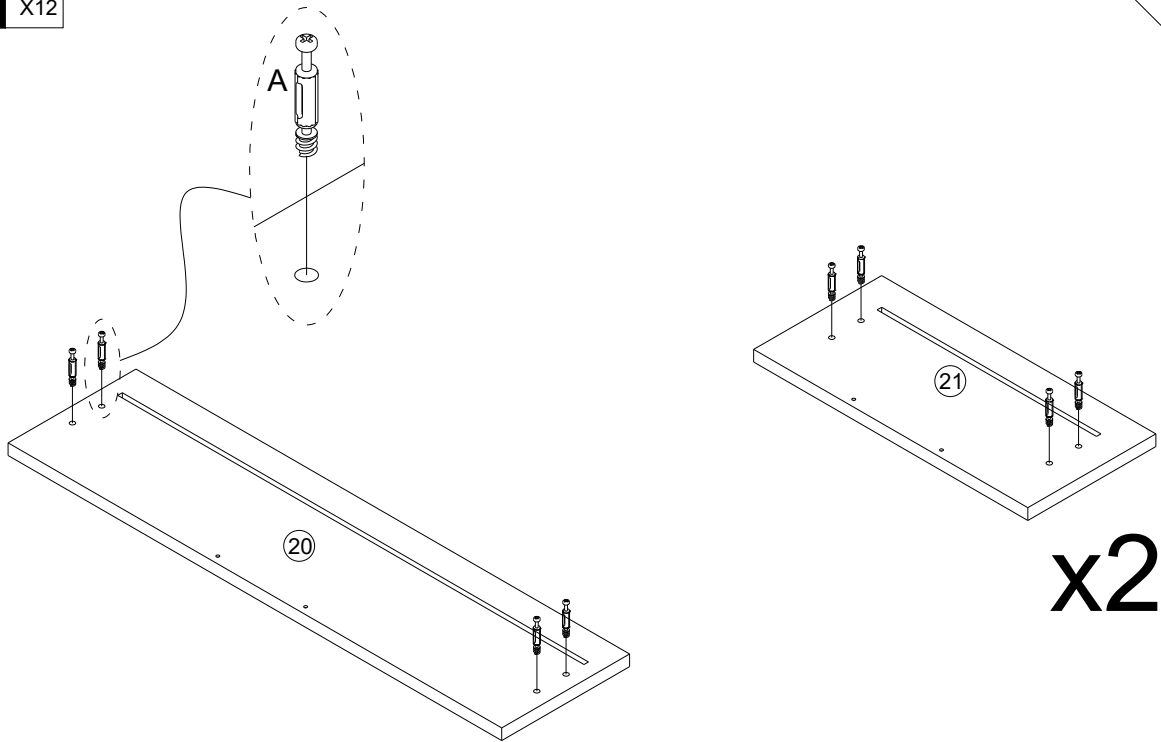
10

B X10

C X8



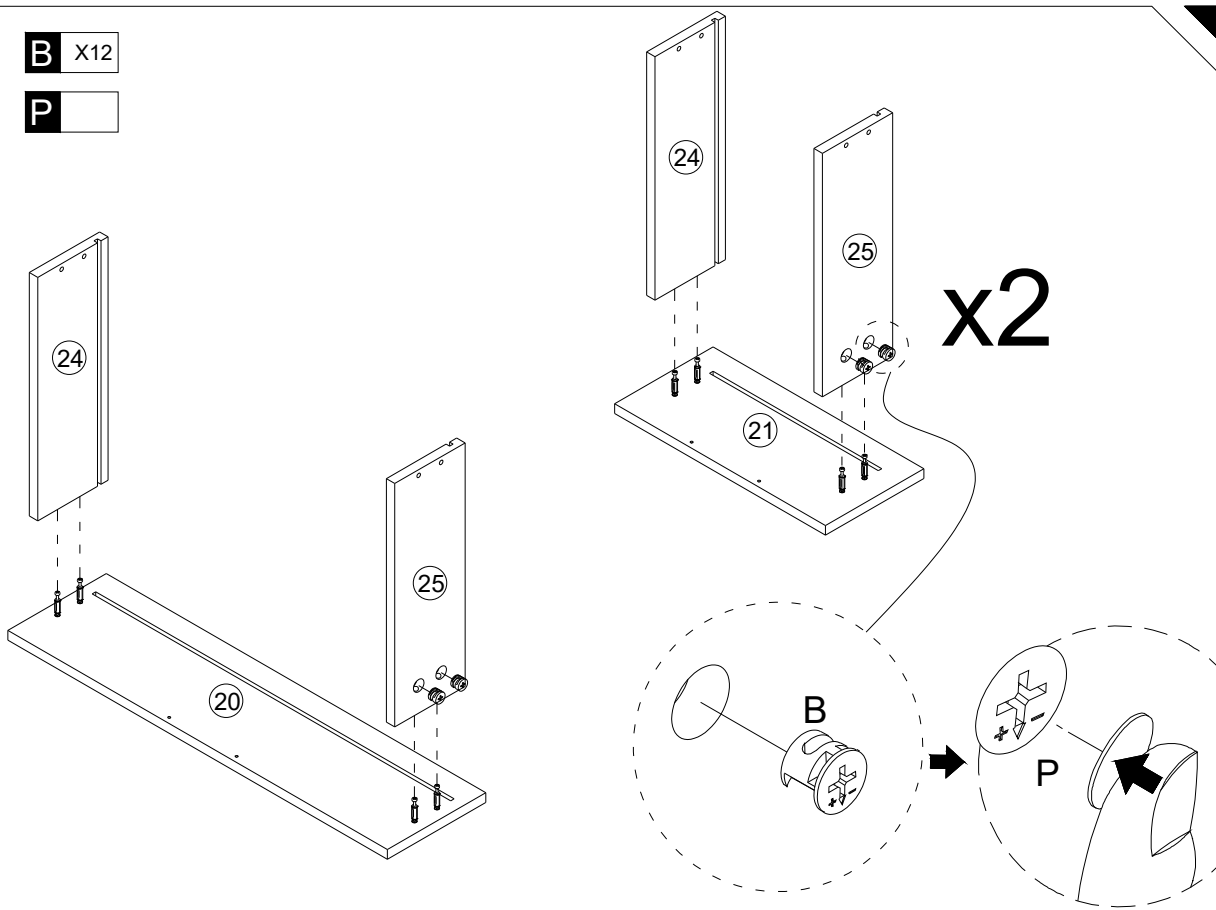
A X12



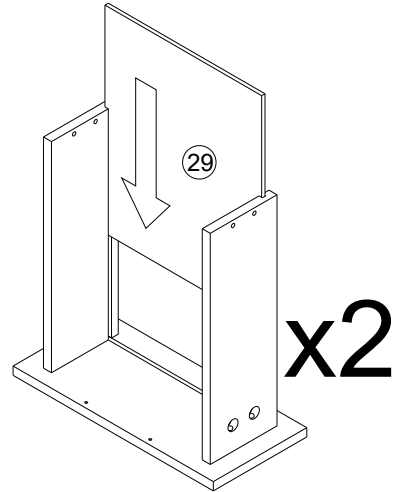
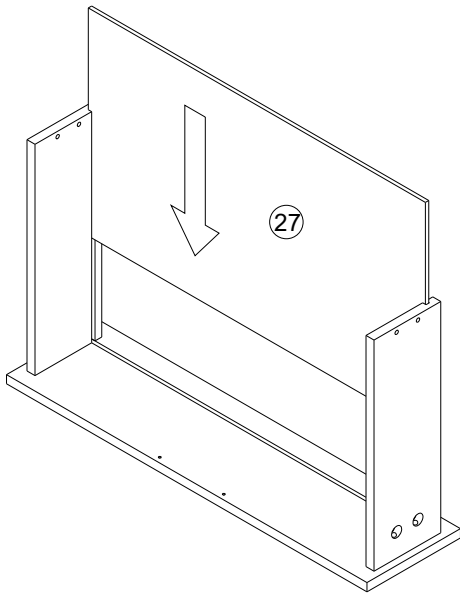
x2

B X12

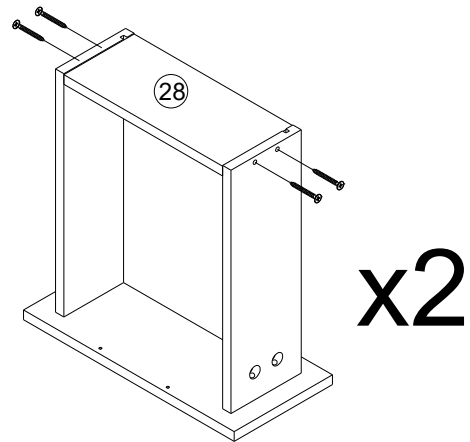
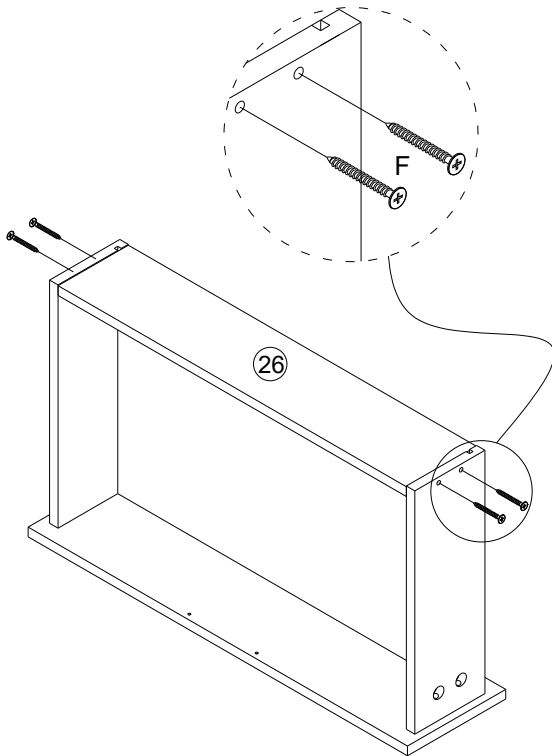
P



x2

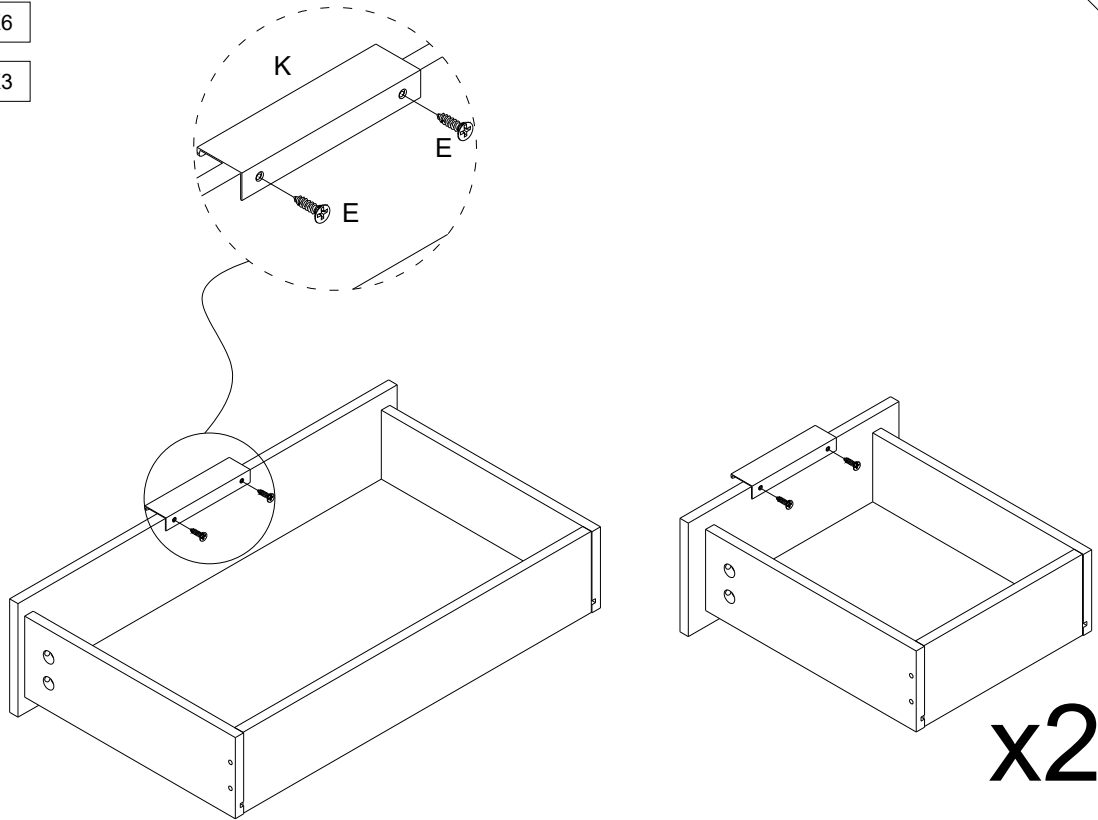


F X12



E X6

K X3

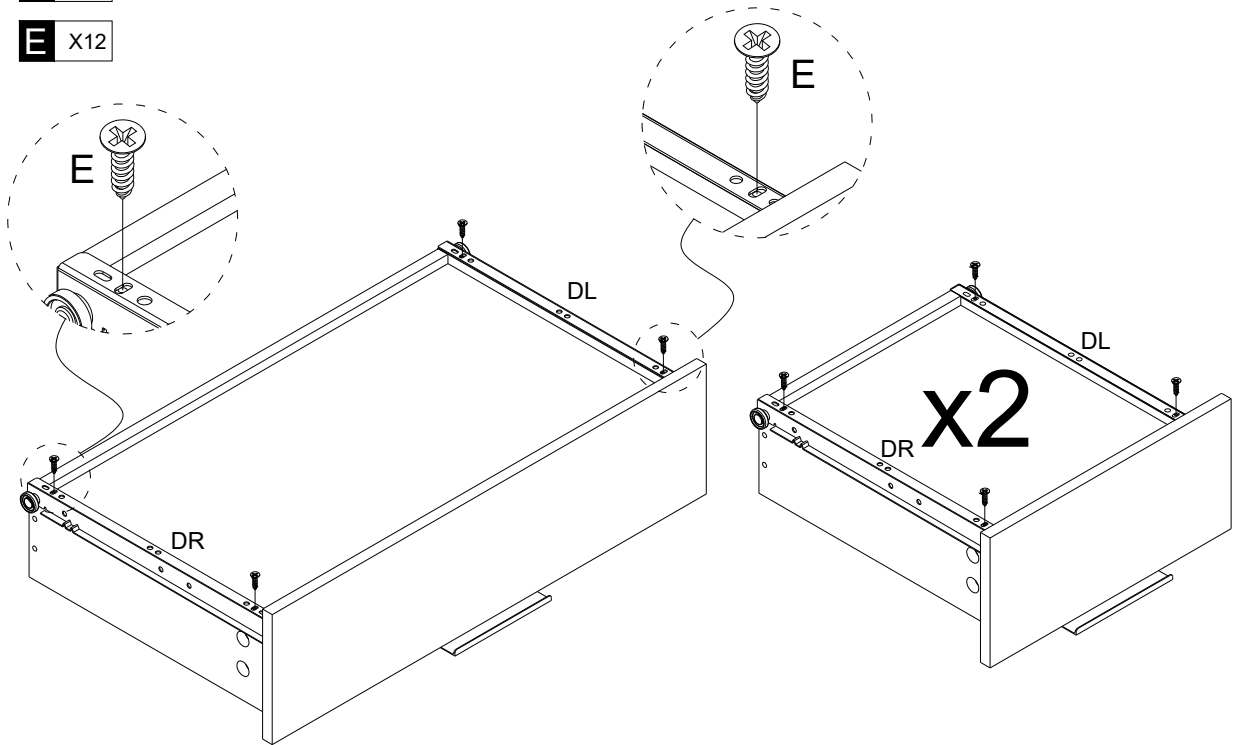


x2

DL X3

DR X3

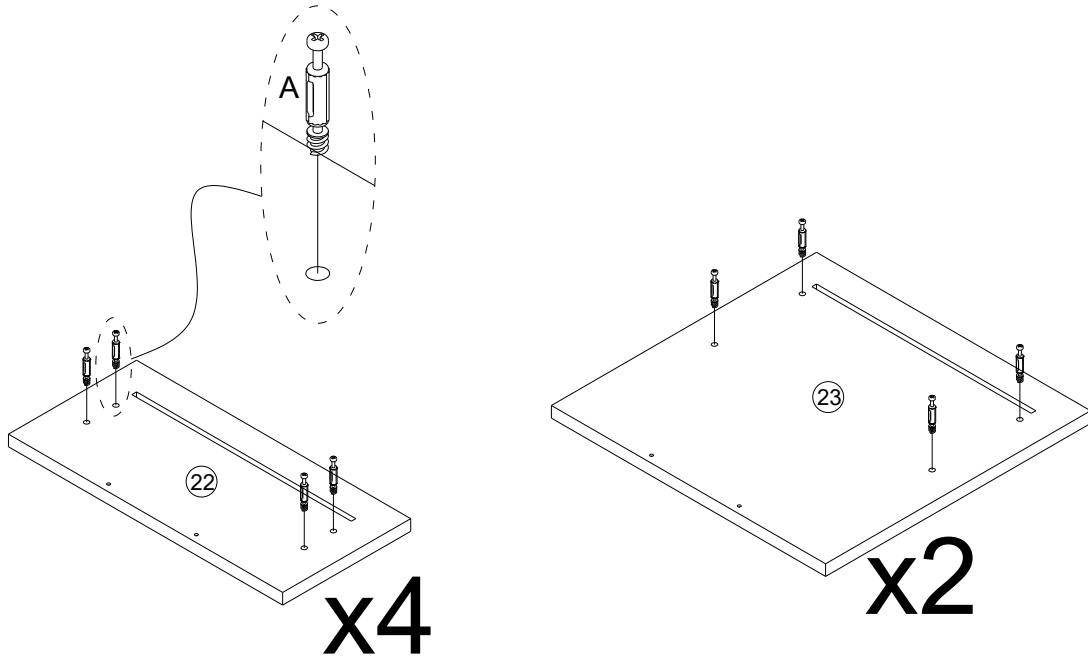
E X12



x2

A x24

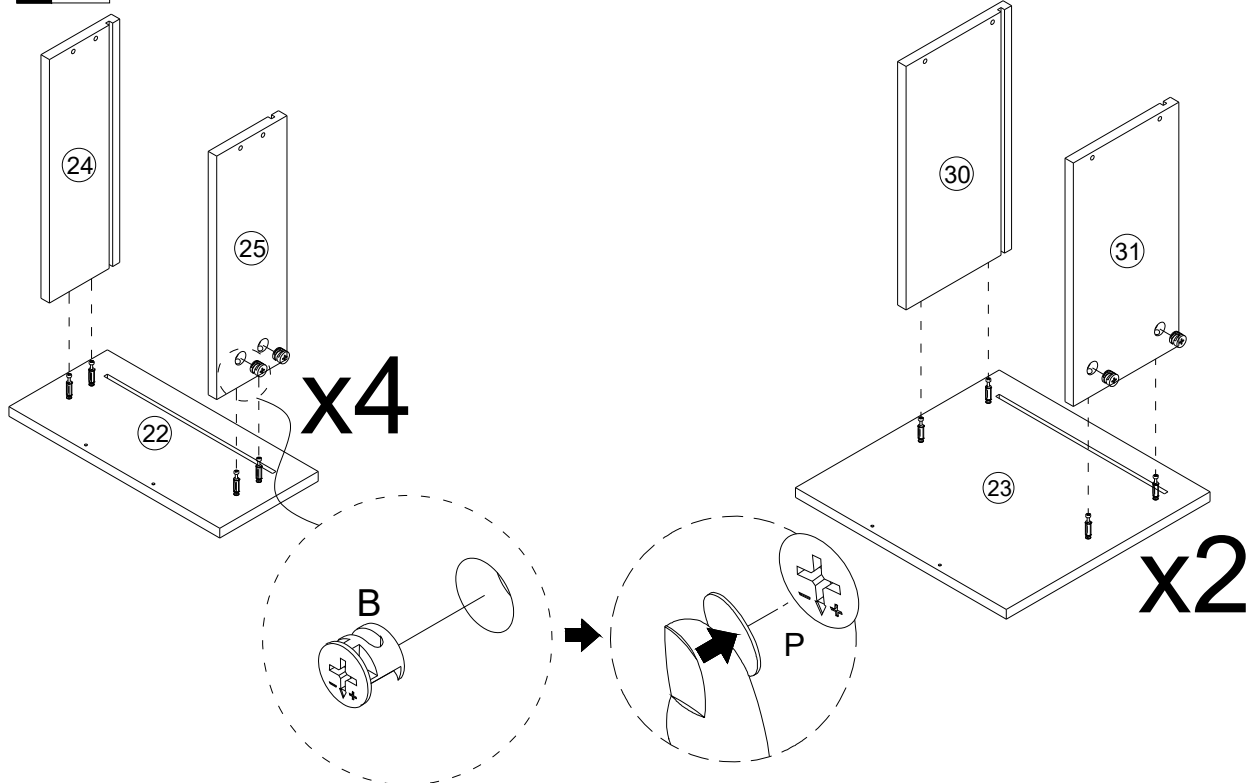
25



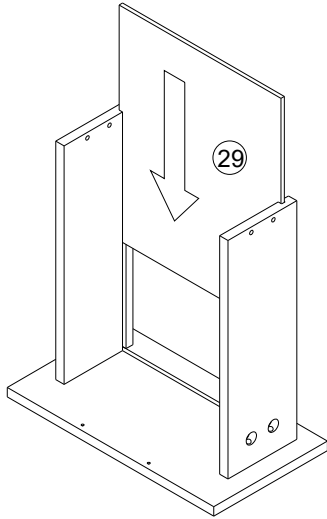
B x24

P

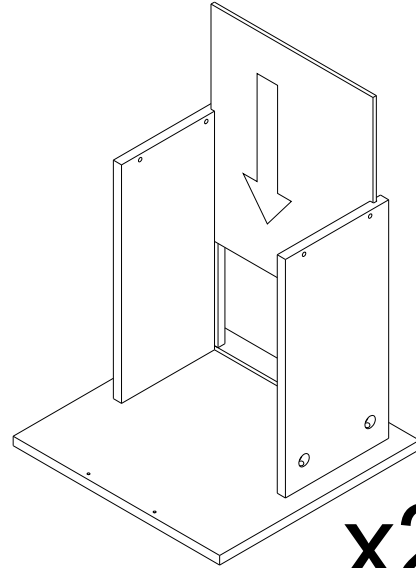
26



15

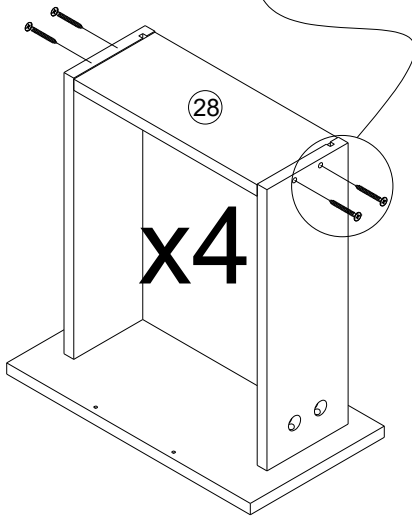
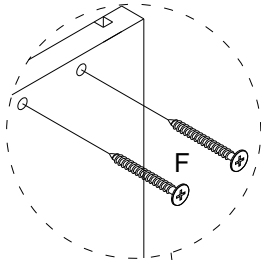


x4

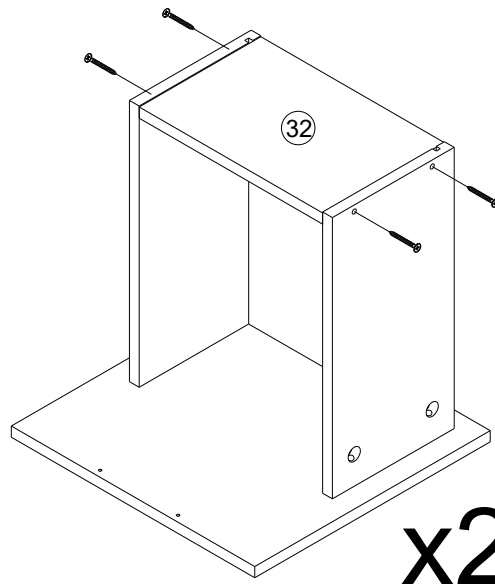


x2

F X24



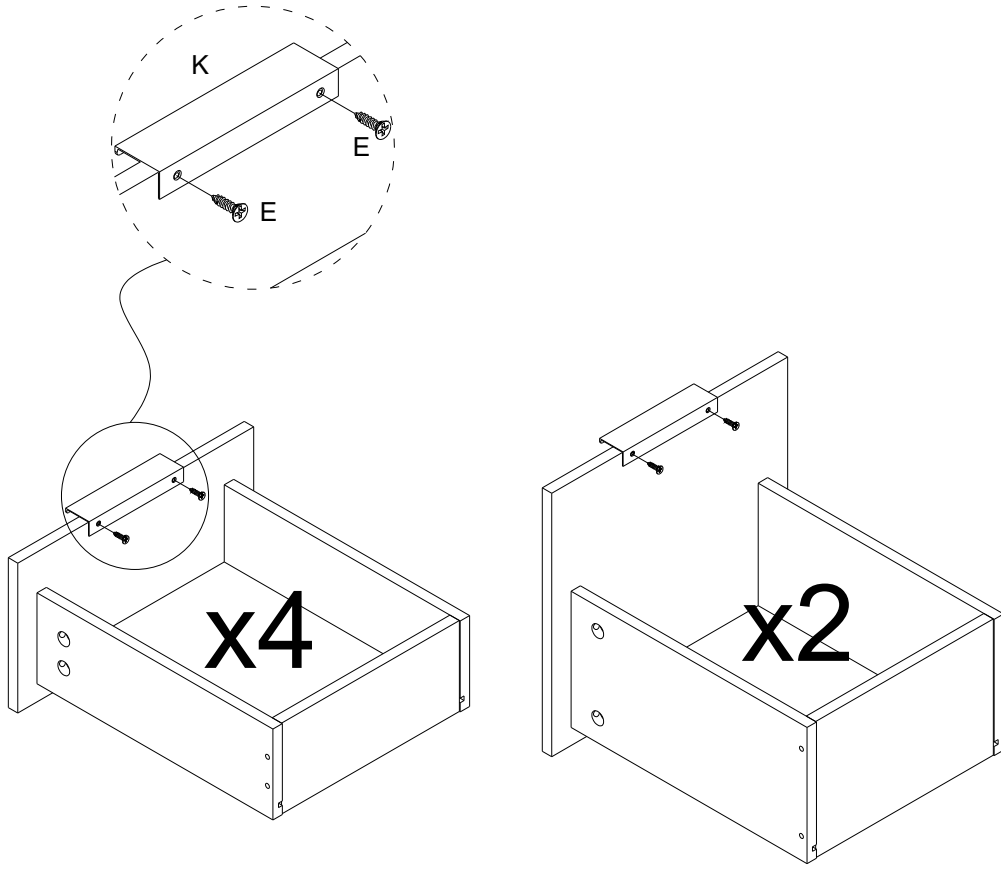
x4



x2

E X12

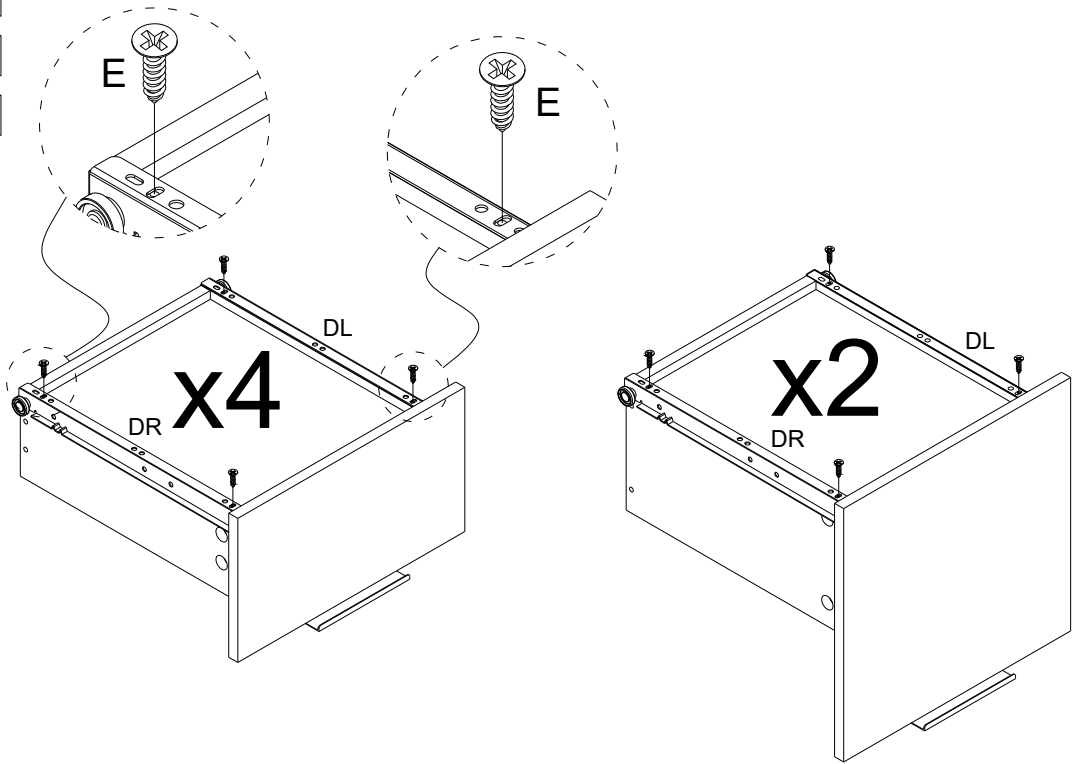
K X6

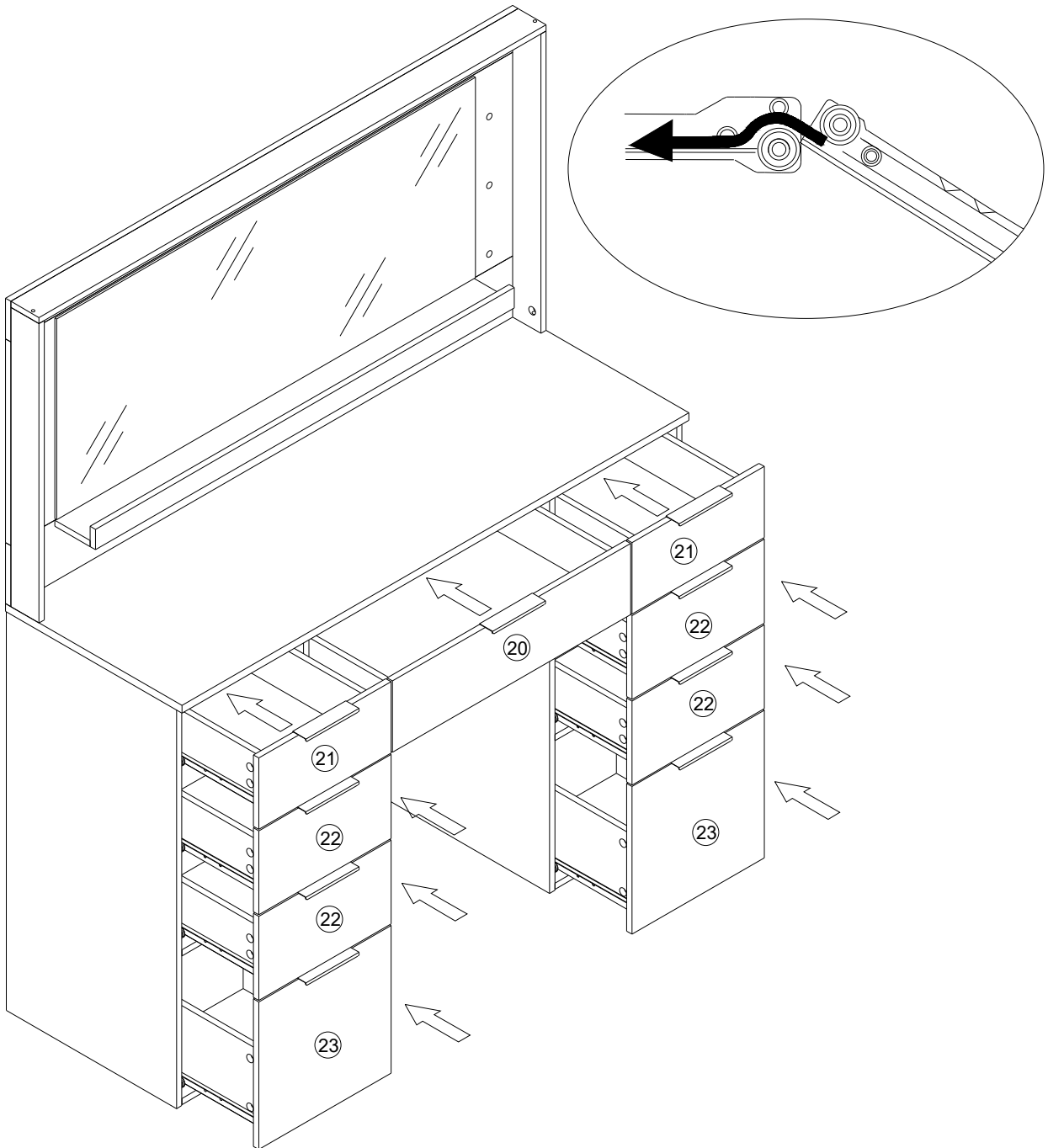


DL X6

DR X6

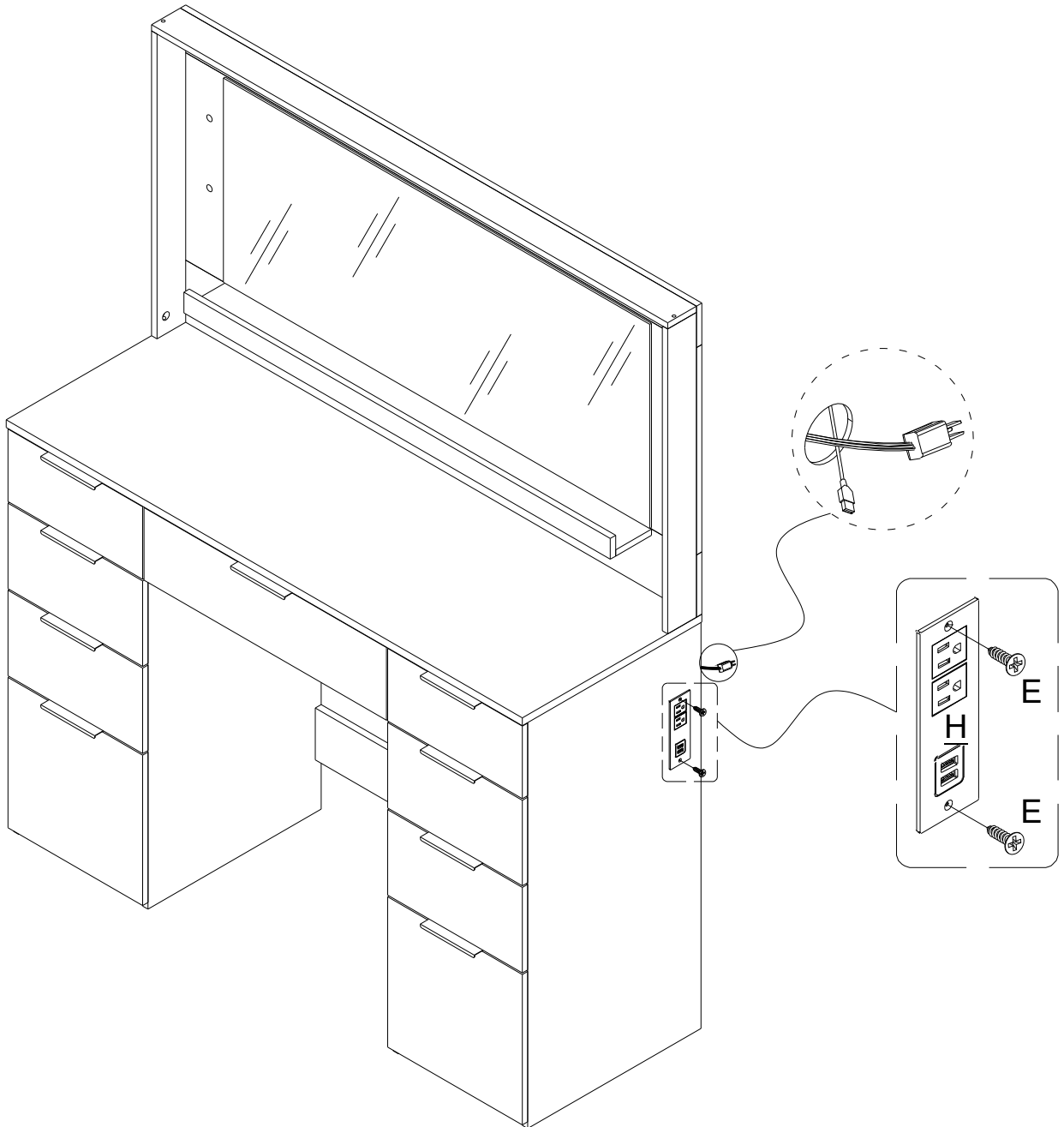
E X24



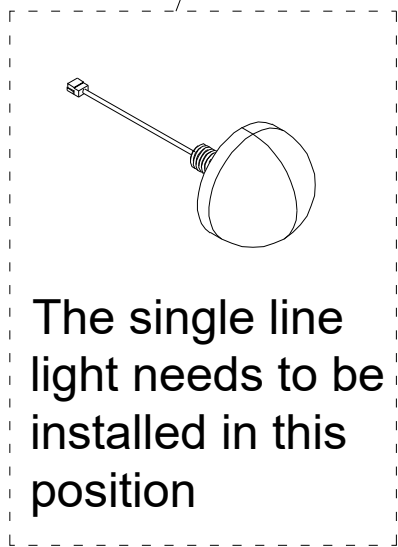
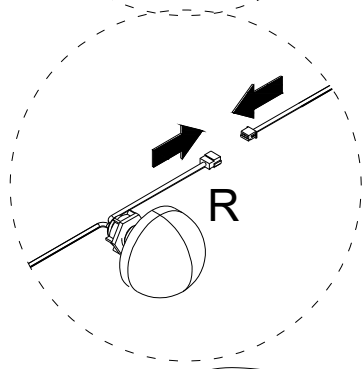
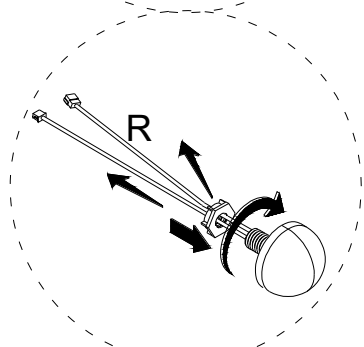
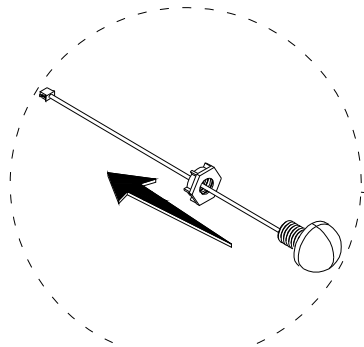


E X2

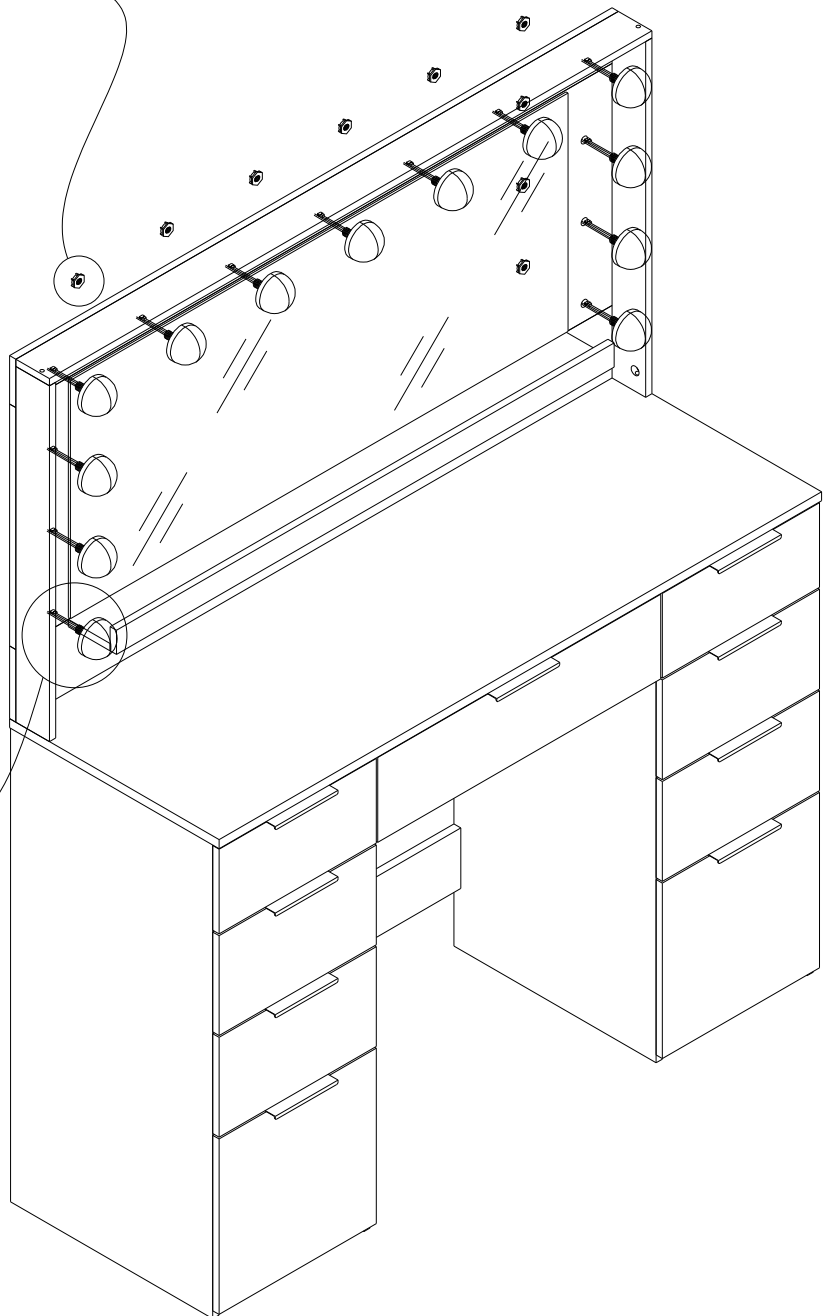
H X1



R X1

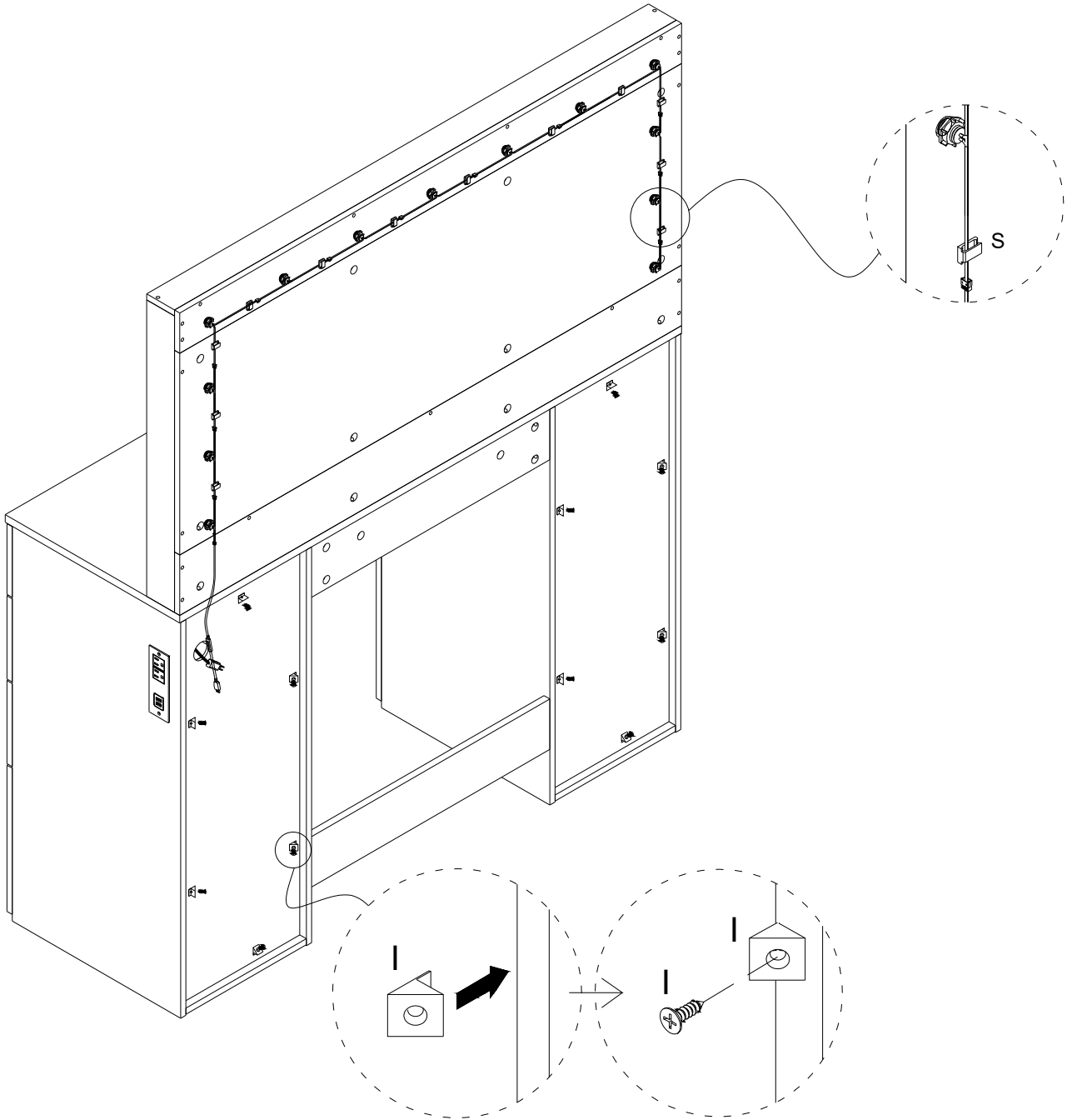


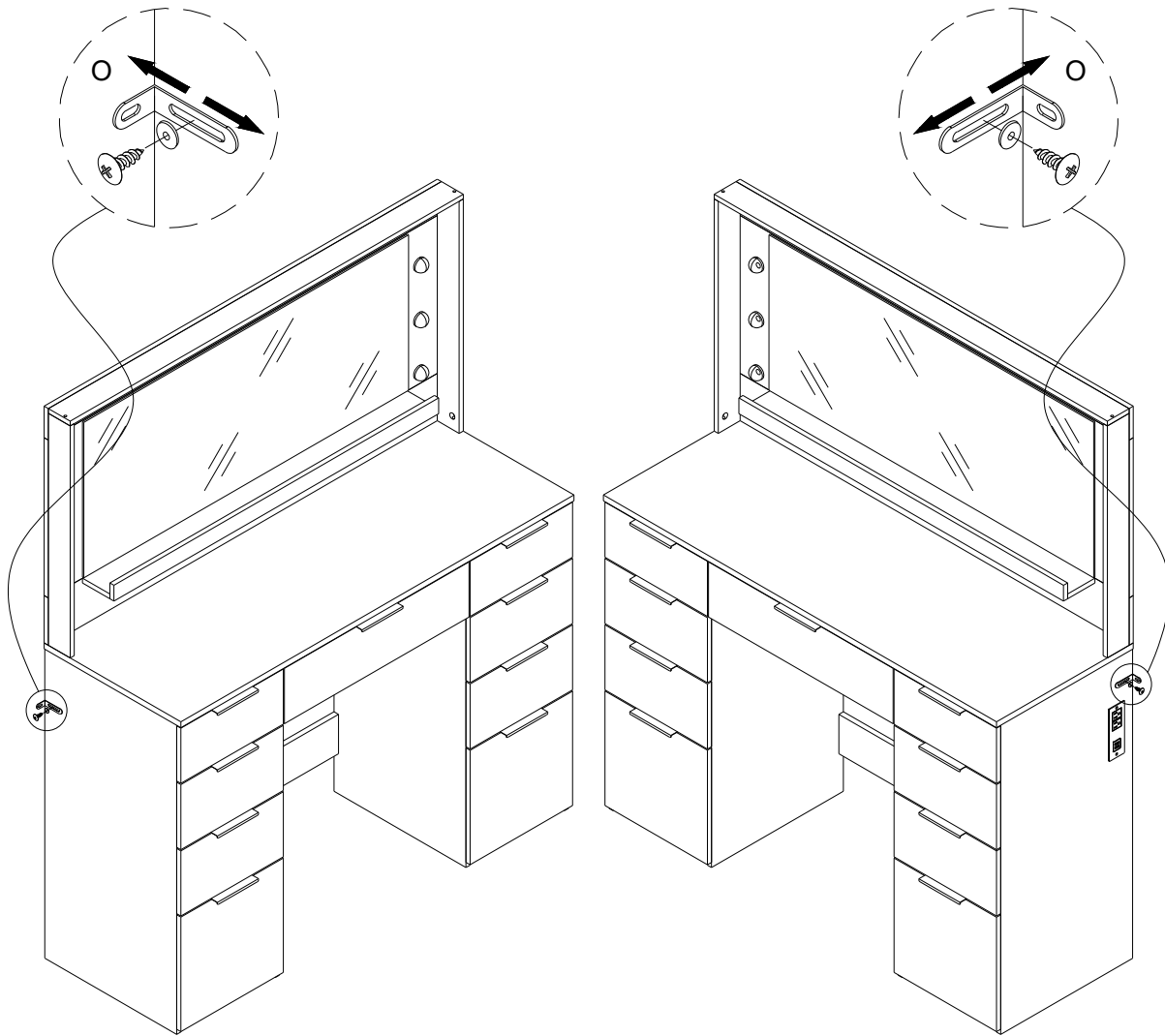
The single line light needs to be installed in this position



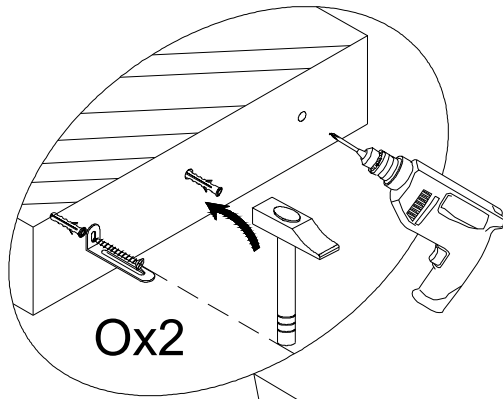
S X13

I X12

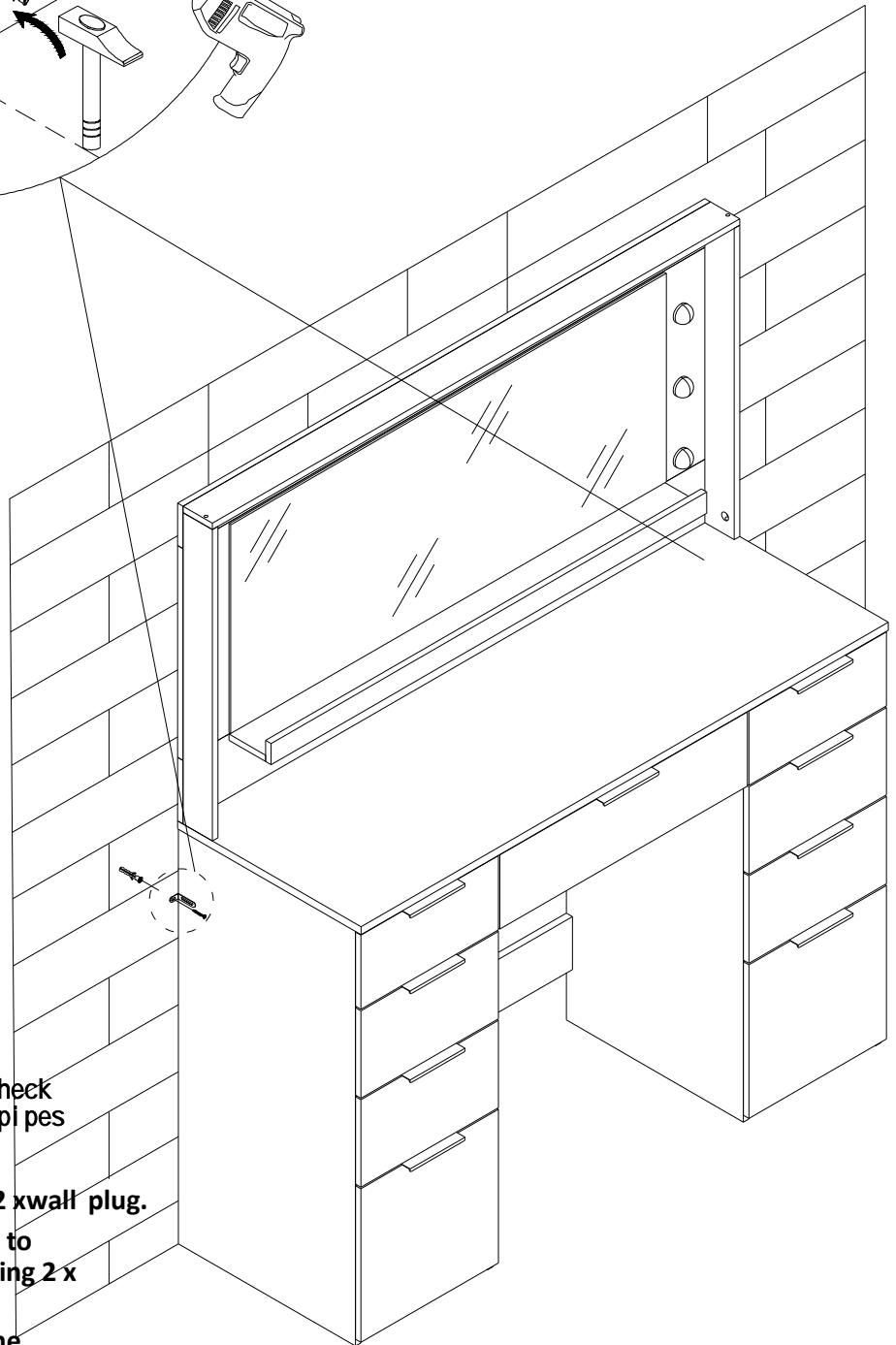




The unit is floor standing, but it is recommended that the unit is secured to the wall.
1. Move the unit into desired position,
2. Mark the wall with a suitable scribe
scribe the position
of the fixing holes.

 X2


Ox2



warning:
before drilling, check
wall for hidden pipes
and cables,

3. Drill holes and insert 2 x wall plug.
4. Attach 2 x Wall Straps to to the top of the unit using 2 x Washers and 2 x Screws.
5. Secure the straps to the wall using 2 x Washers and 2 x Screws.

Note: To hide the straps behind the unit, drill the holes lower than the top of the unit.

Assembly is complete.