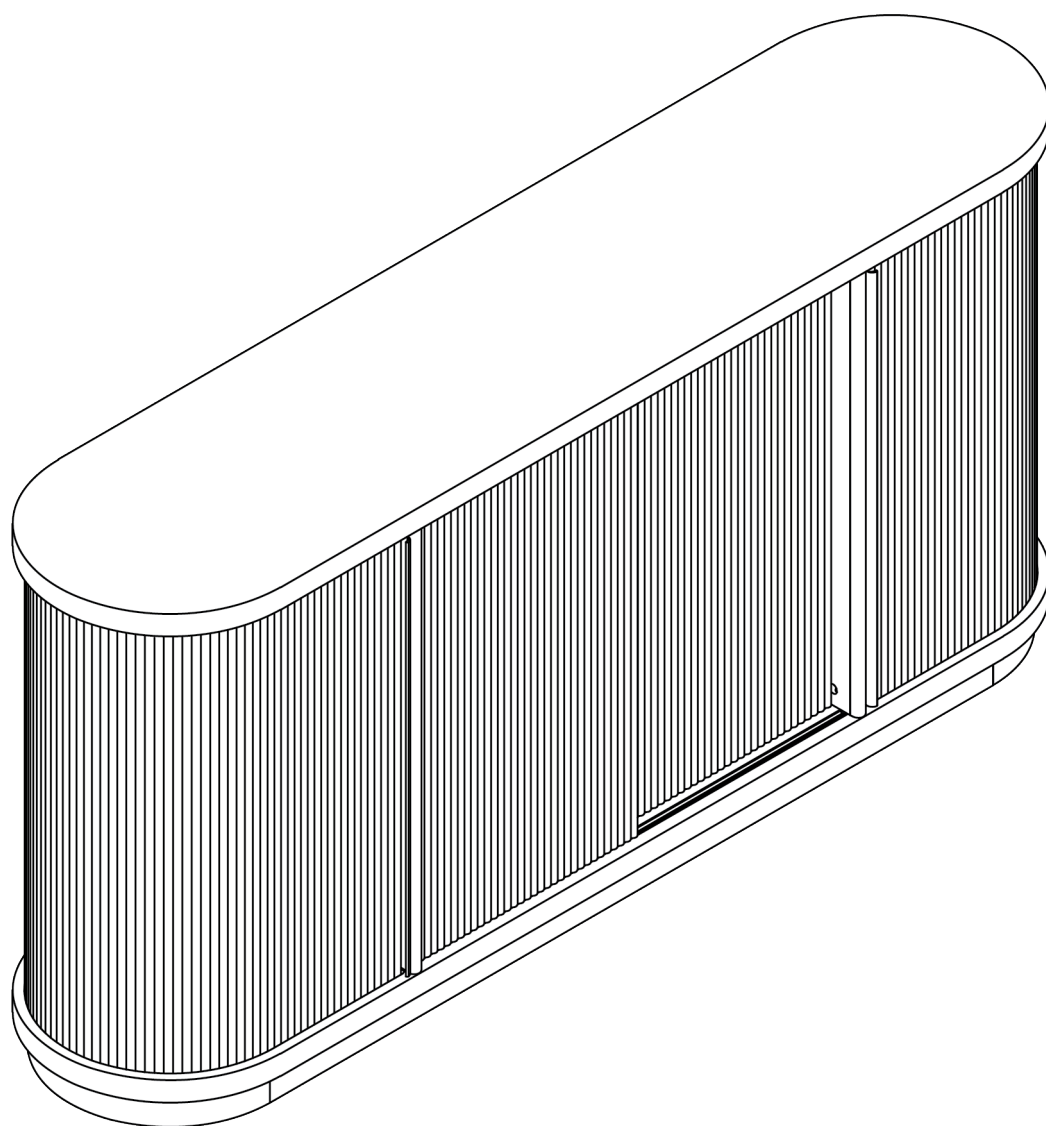


Turin Sideboard



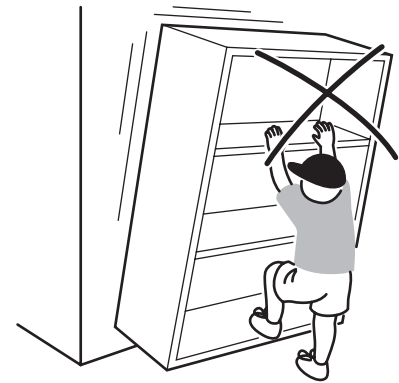
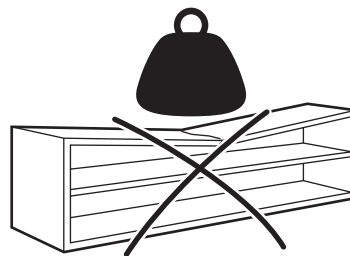
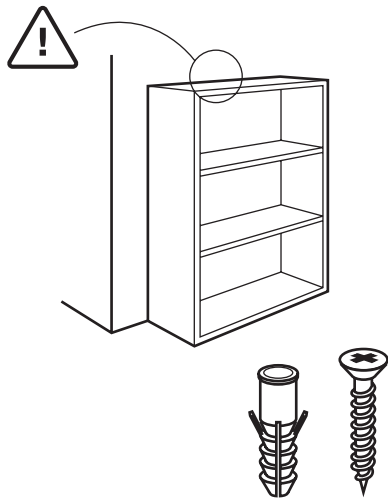
Instruction
Manual

Read Before Assembly

The instruction booklet contains **IMPORTANT** safety information. Please read it in full and keep it for future reference.



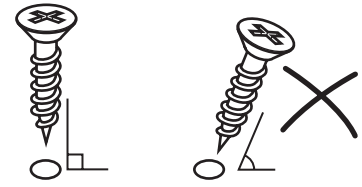
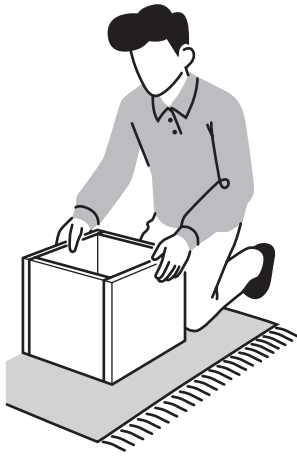
WARNING!



- Serious or fatal crushing injuries may occur if the furniture tip-over. Furniture must permanently affixed to the wall with anti-tipping device(s) in order to prevent the furniture from tipping over.
- Different wall materials requires different type of wall anchors or screws. Use a suitable wall anchors or screws for your specific wall in order to secure the stability and load bearing capacity of the furniture. If you are uncertain about which type of device to use, please contact us or local hardware store and seek professional advice.
- Only place items that is within the recommended size and weight limit of the furniture.
- Items placed onto the furniture must be resting on a support surface without hanging over the edges.
- Climbing on, stepping on, or placing overweighted objects on the product may cause property damage and / or injuries.



CAUTION!



- Assemble the furniture on an empty carton, carpet, or rug to prevent scratches or damage.
- When assembling the furniture, keep pets and children away from the assembly area.
- Ensure the product is fully assembled before use. If you are missing any hardware or parts, do not use it until you have restored the missing parts.
- This furniture requires 2 people for assembly.
- Lay out all components and hardware separately on a flat surface and make sure that no parts are missing or damaged before assembly. Do not destroy or discard any packaging until you are certain that you have all the necessary parts for assembly.
- There are small components used in the construction of the furnitures. Loose items, plastic bags, and packaging films should be kept away from pets or children to avoid choking hazard or suffocations.
- Read this instruction manual prior to assembly and familiarize yourself with the various steps.
- Install all hardware perpendicular to the opening unless otherwise specified.
- Hand tight all hardware and careful not to over-tighten to avoid damaging the product.

Assembly Symbols



- Follow sequential order.



- Build specified number of parts.



- Flip part as indicated.



- Rotate part as indicated.



- Choose your own assembly options.



- Pay attention to the part orientation.



- Leave bolts or screws partially tighten.



- Fully tighten bolts or screws.



- Level the furniture on the ground.

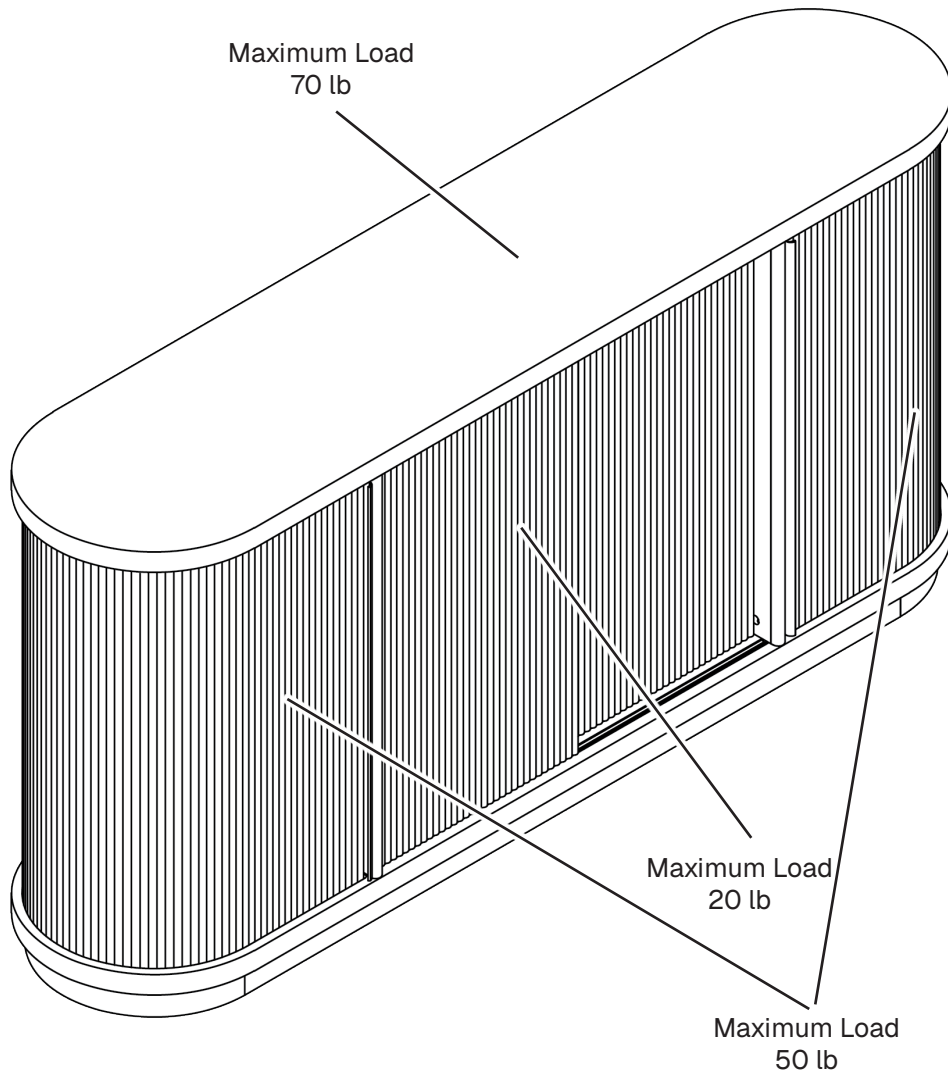


Estimated Time for Assembly

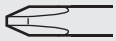
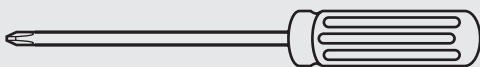
120 mins



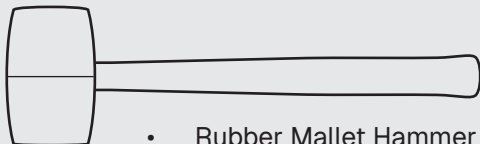
Weight Capacity Limitations are as Follows:



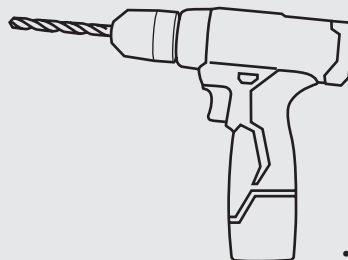
Tools Needed



• Philips Screwdriver

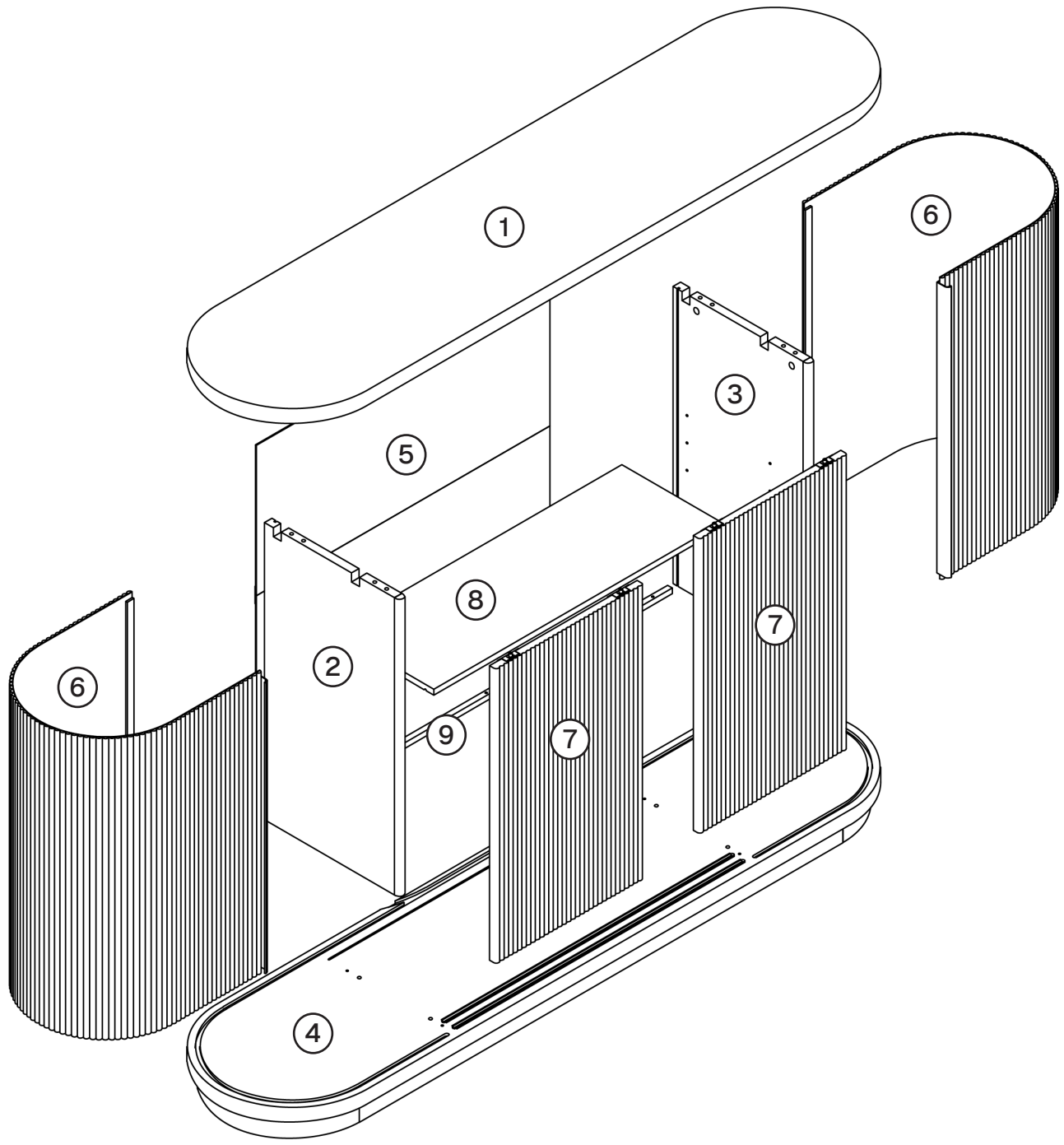


• Rubber Mallet Hammer



• Electric Drill

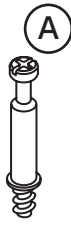
Package Contents



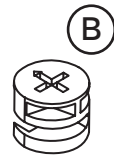
Package Contents

CODE	DESCRIPTION	QTY
1	Top Panel	1
2	Left Lateral Panel	1
3	Right Lateral Panel	1
4	Base	1
5	Back Panel	1
6	Curve Sliding Door	2
7	Screen Door	2
8	Storage Shelf Panel	1
9	Crossbar	1

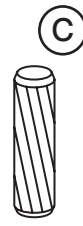
Package Contents



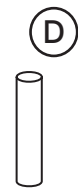
8x + 1x



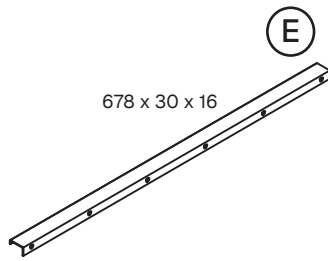
8x + 1x



8x + 1x



4x

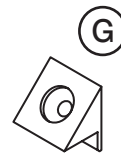


678 x 30 x 16

2x



12x+2x



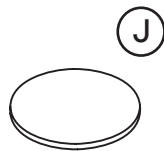
10x+2x



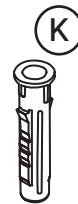
10x + 2x



1x



8x + 1x



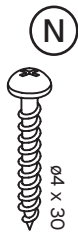
2x



2x



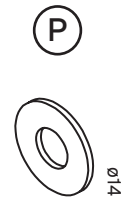
2x



2x



4x

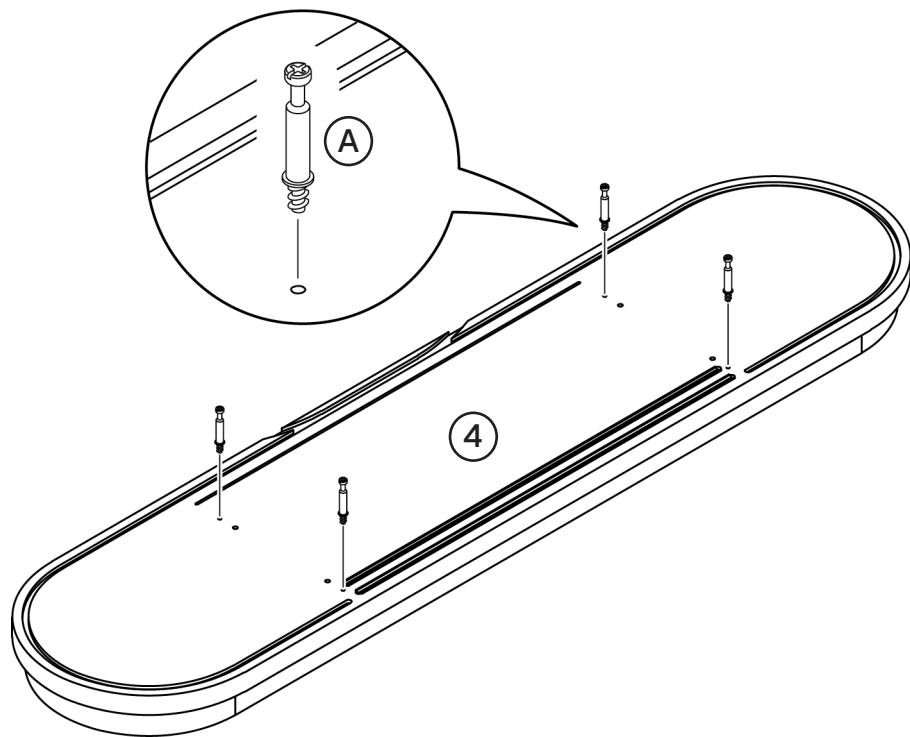


4x

01 Base



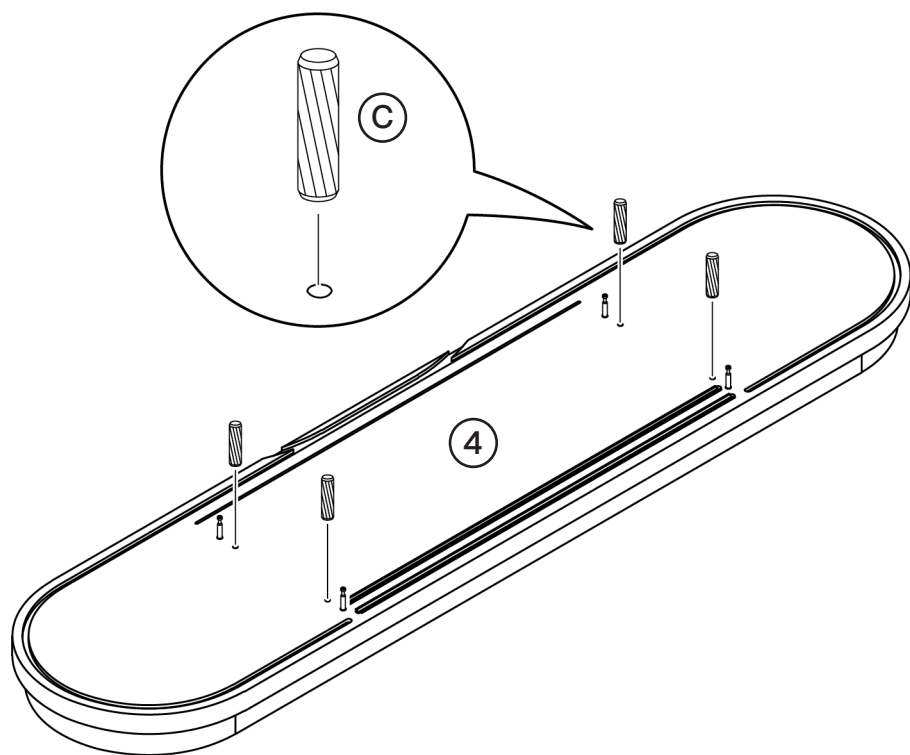
A 4x



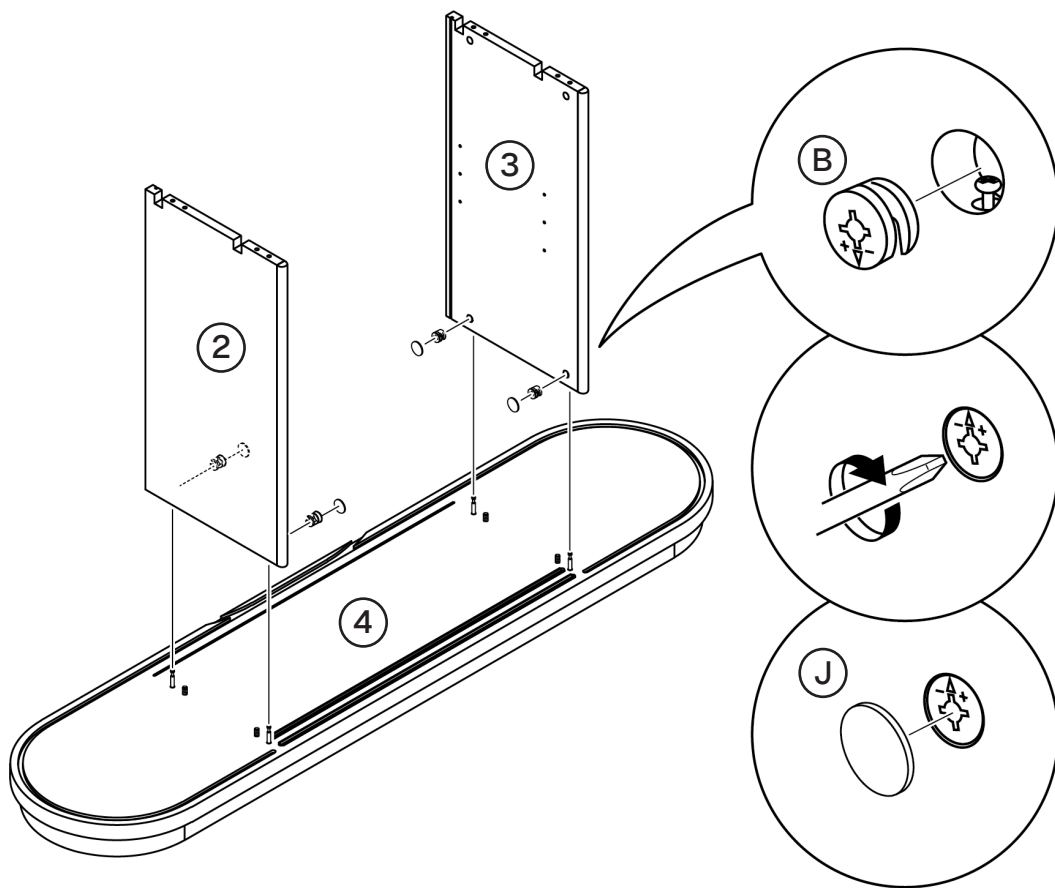
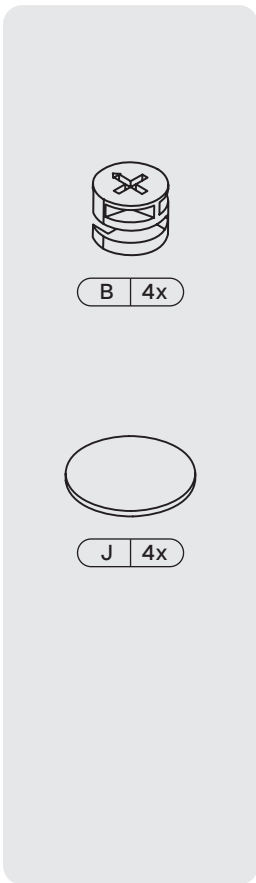
02 Base



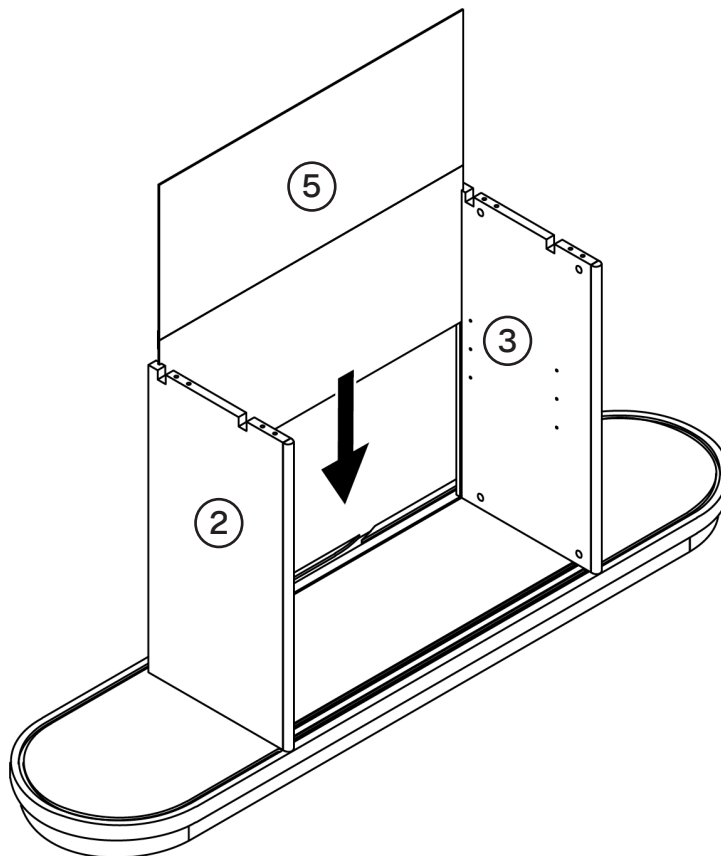
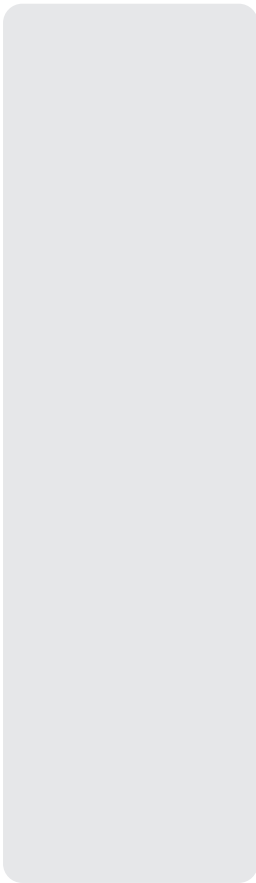
C 4x



03 Attaching lateral panels



04 Sliding in back panel

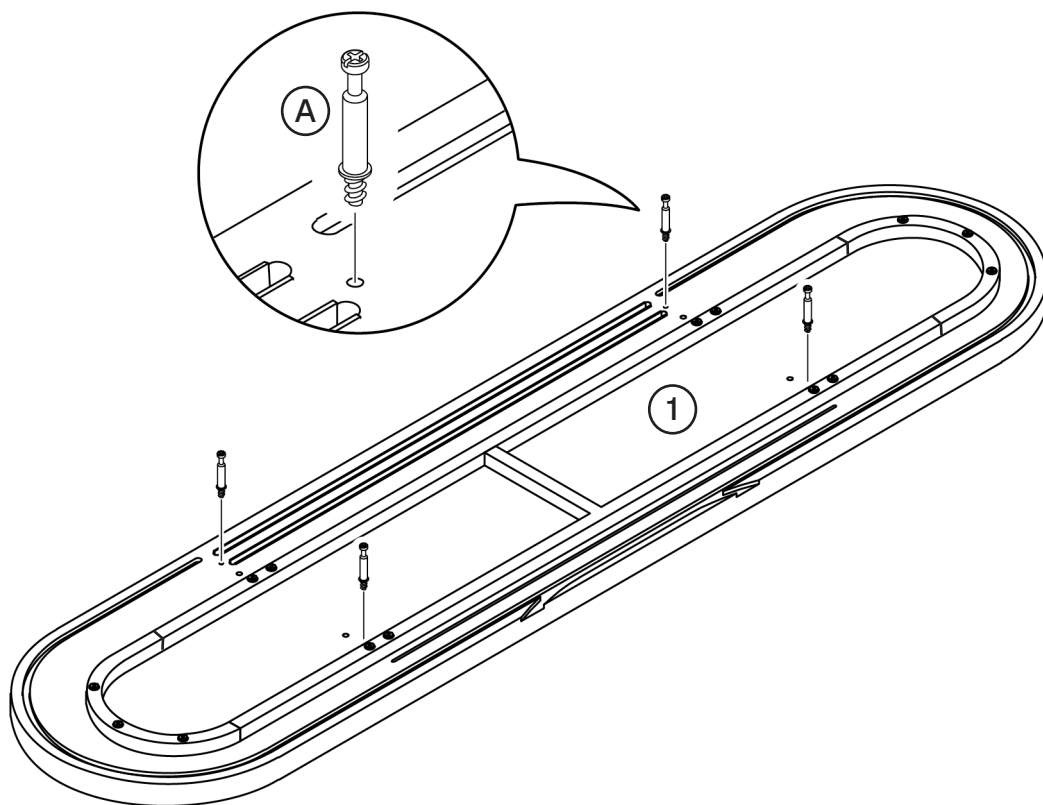


05

Top panel



A 4x

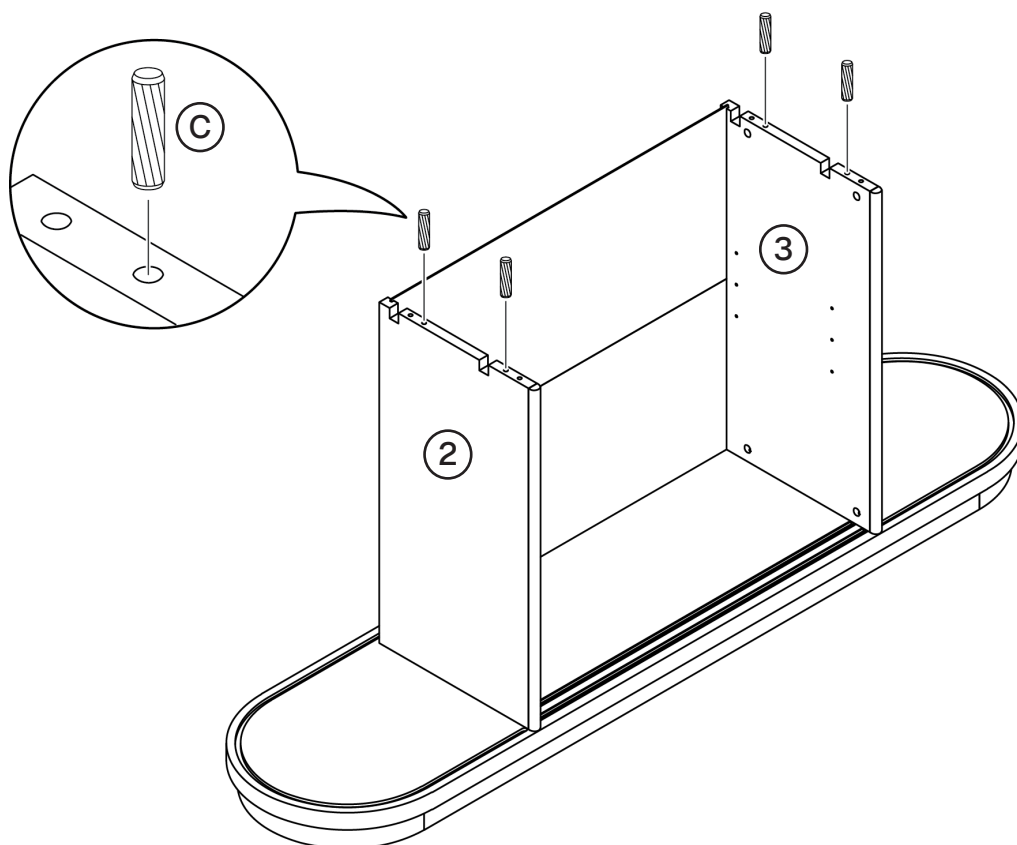


06

Lateral panels



C 4x



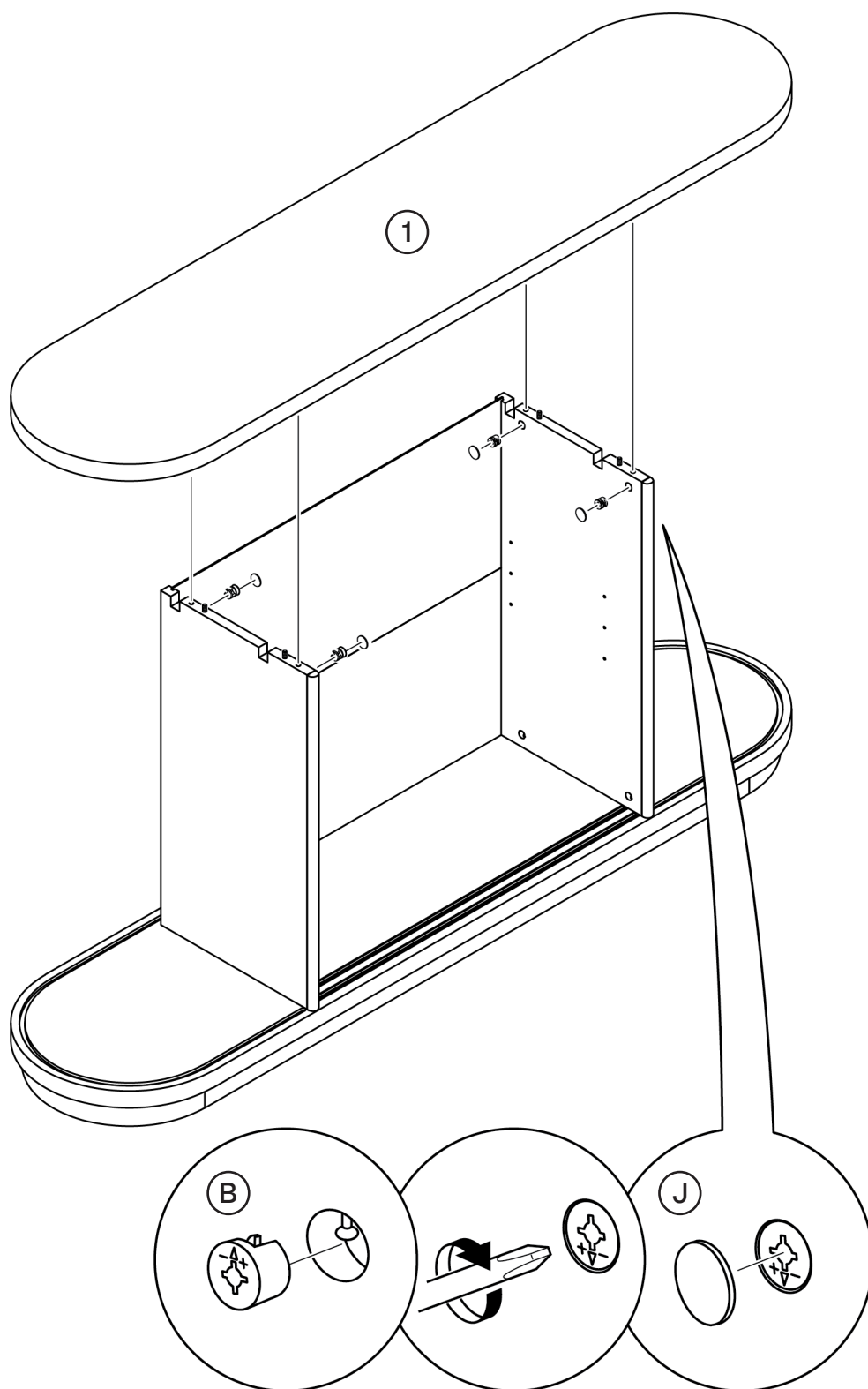
07 Attaching top panel



B 4x



J 4x

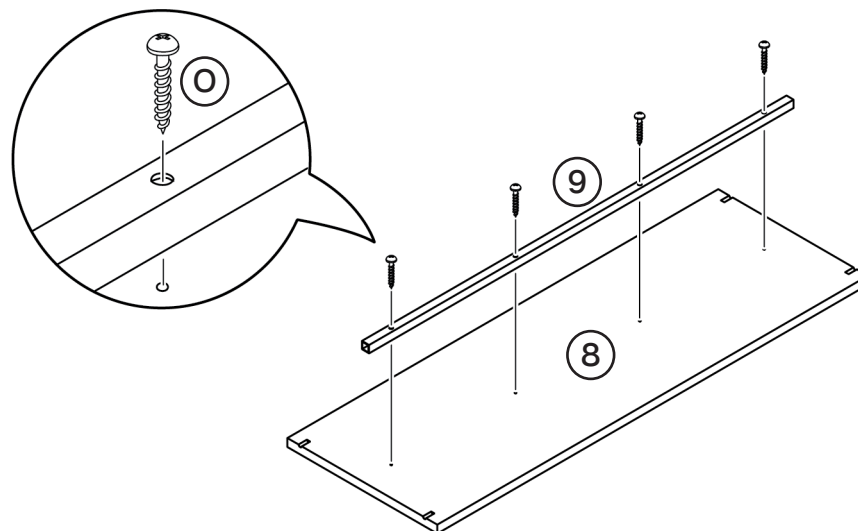


08

Attaching crossbar to storage shelf panel



0 4x

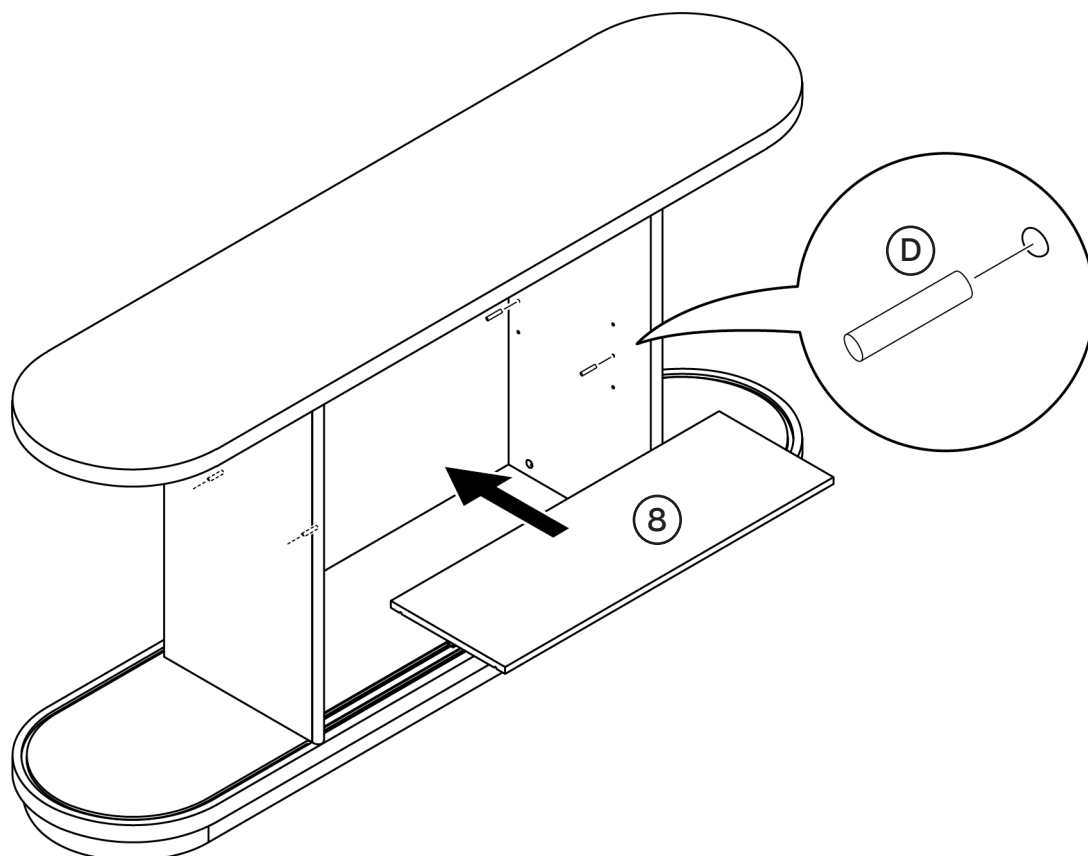


09

Inserting shelf pegs and putting on storage shelf panel

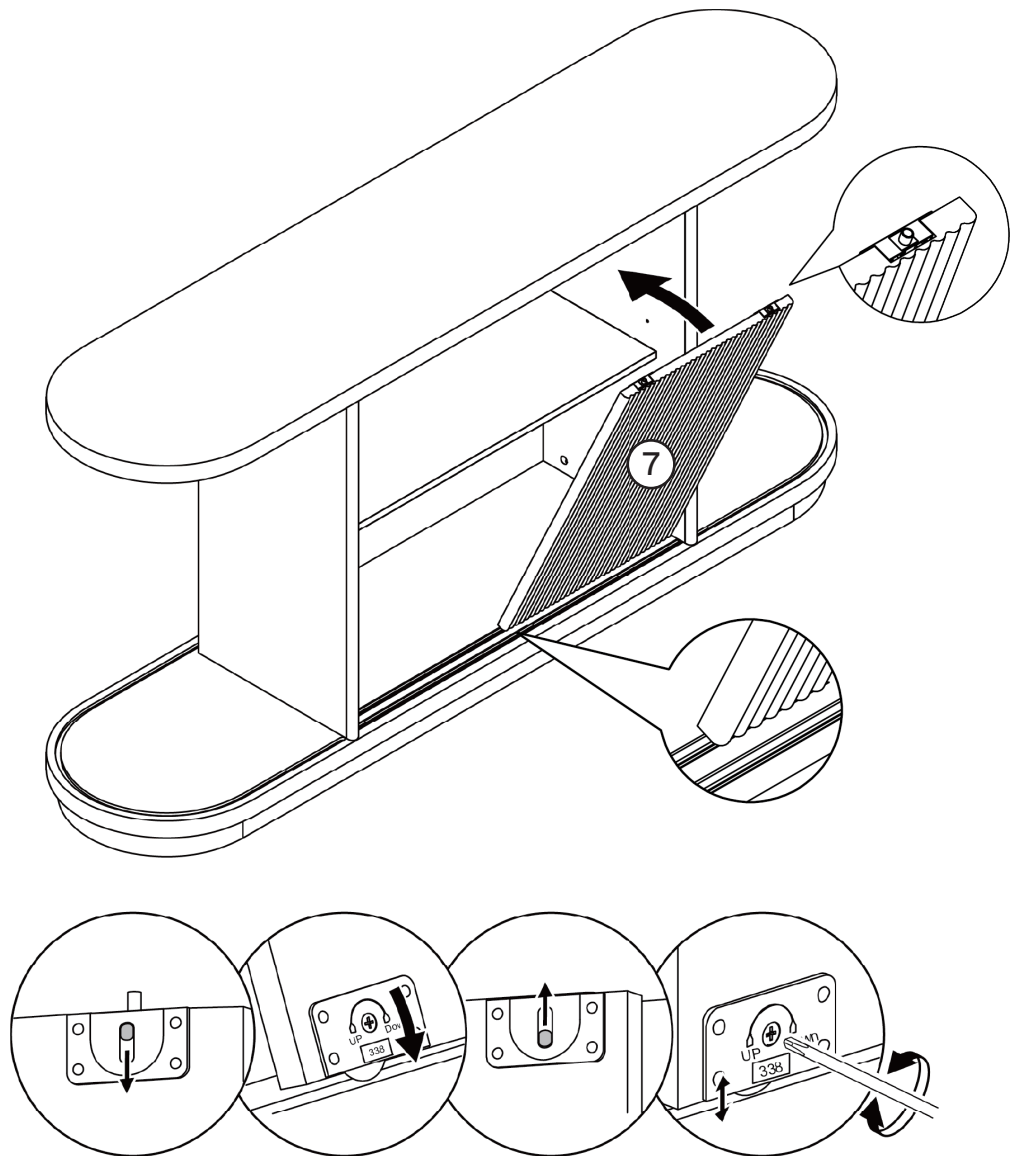


D 4x



10 Attaching screen door

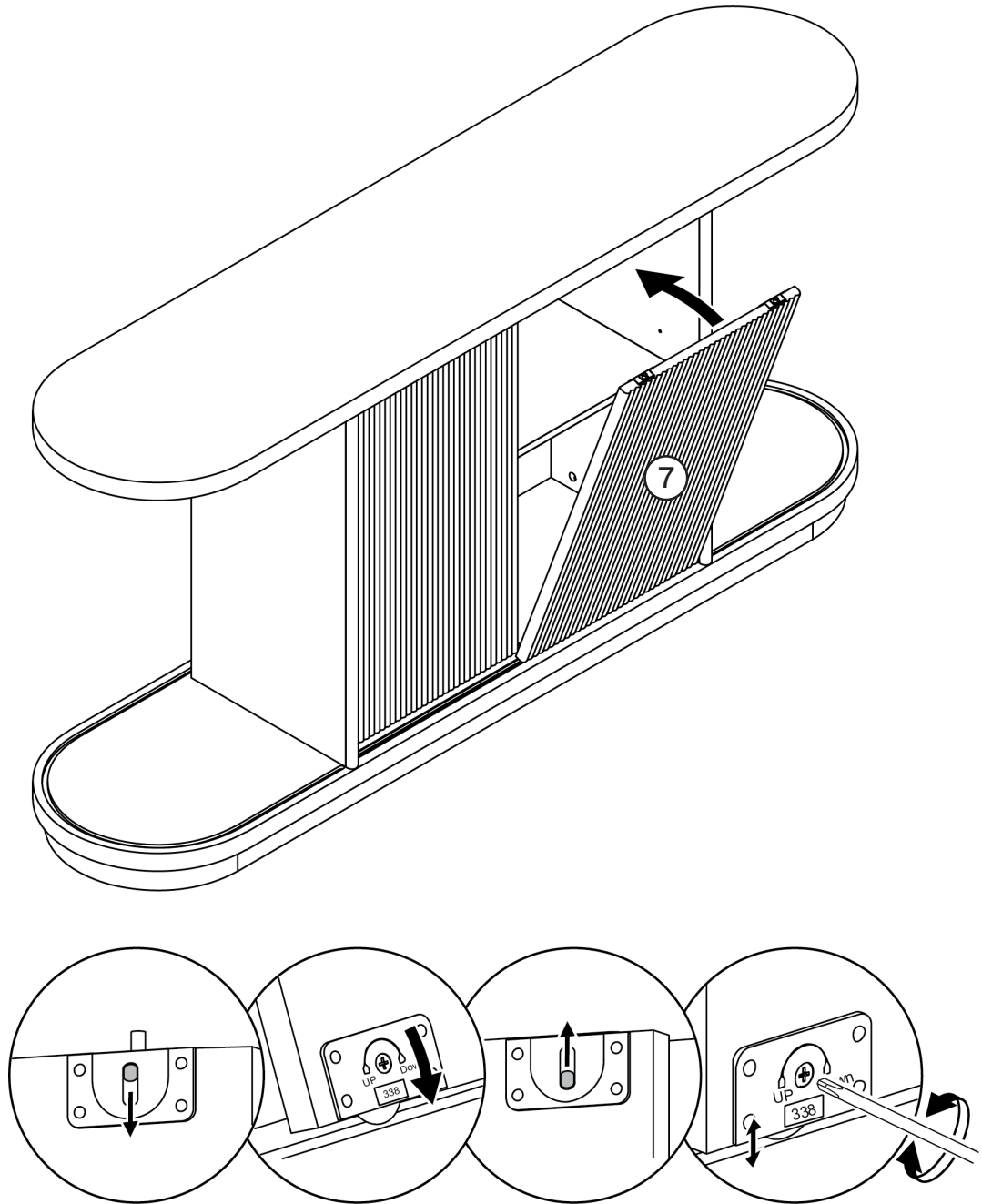
★ Retract the guiding rod on top of the door and install the door's rolling wheels to the bottom sliding track. Then extend the track. Then extend the guiding rod to the top sliding track



11

Attaching another screen door

★ Retract the guiding rod on top of the door and install the door's rolling wheels to the bottom sliding track. Then extend the guiding rod to the top sliding track



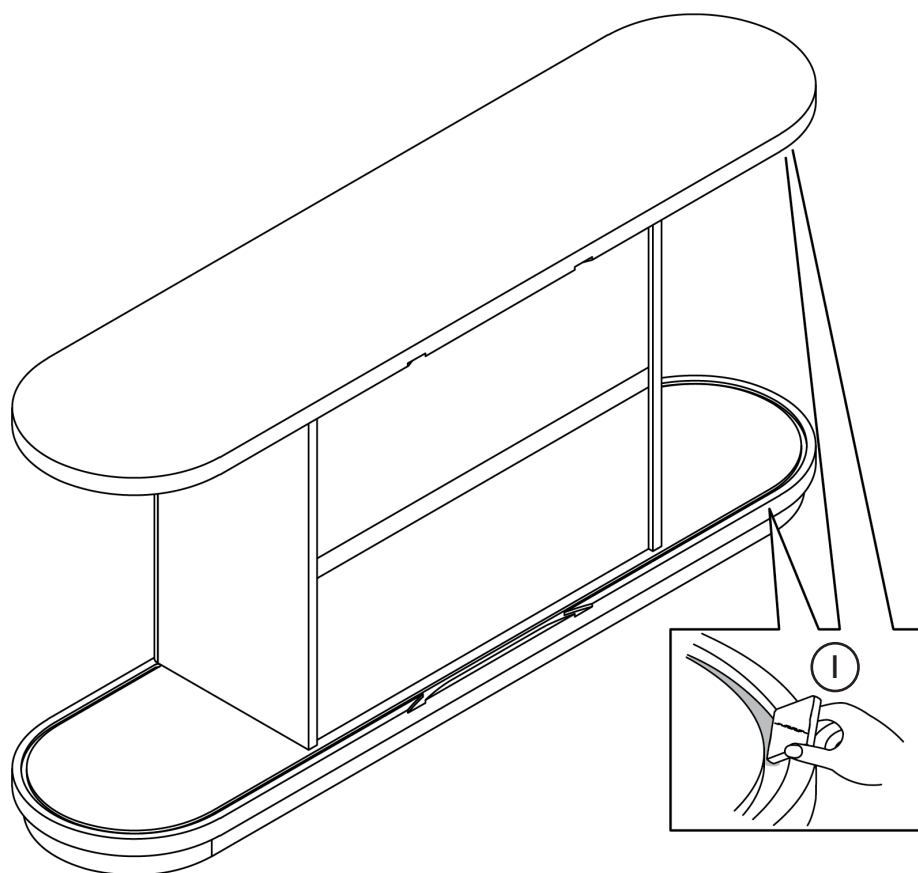
12

Applying wax



I 1x

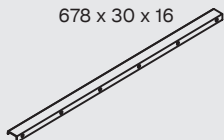
★ Wipe the wax on the sliding track.



13

Attaching door handle

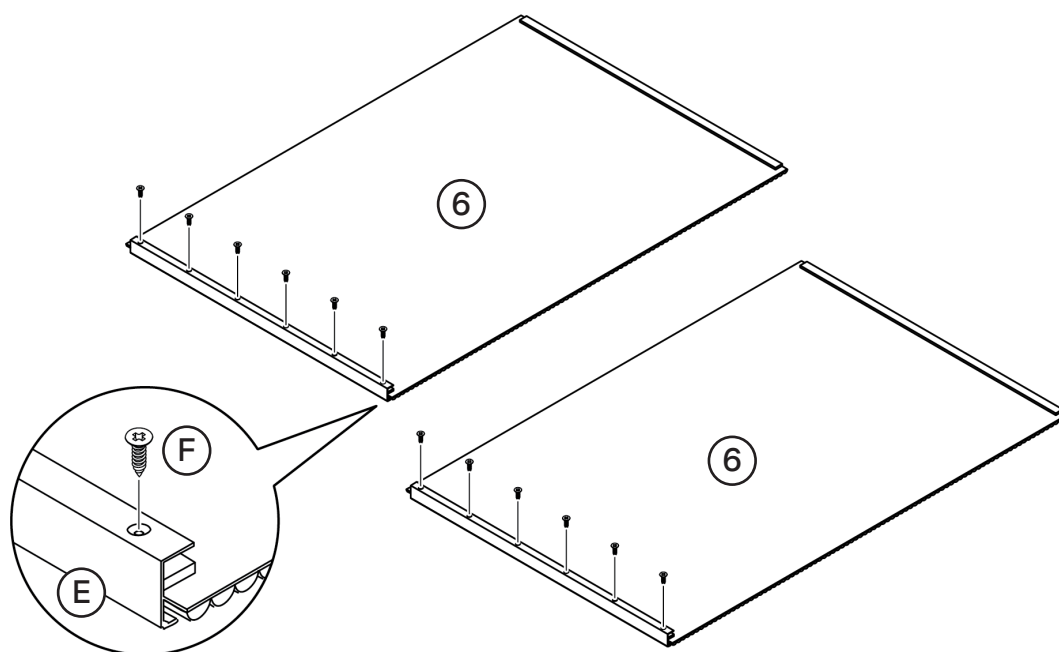
678 x 30 x 16



E 2x

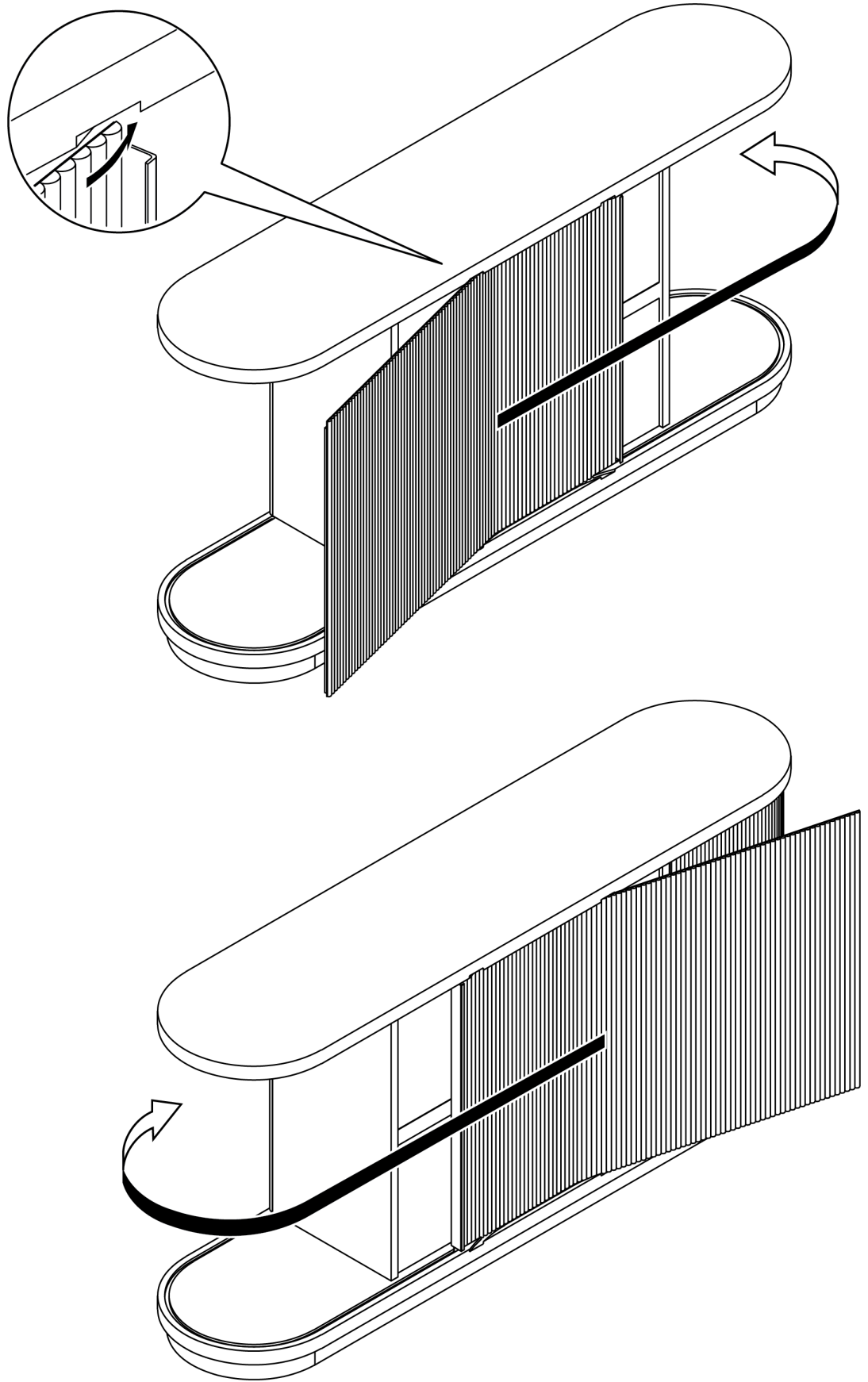


F 12x



14

Sliding in the sliding doors



15

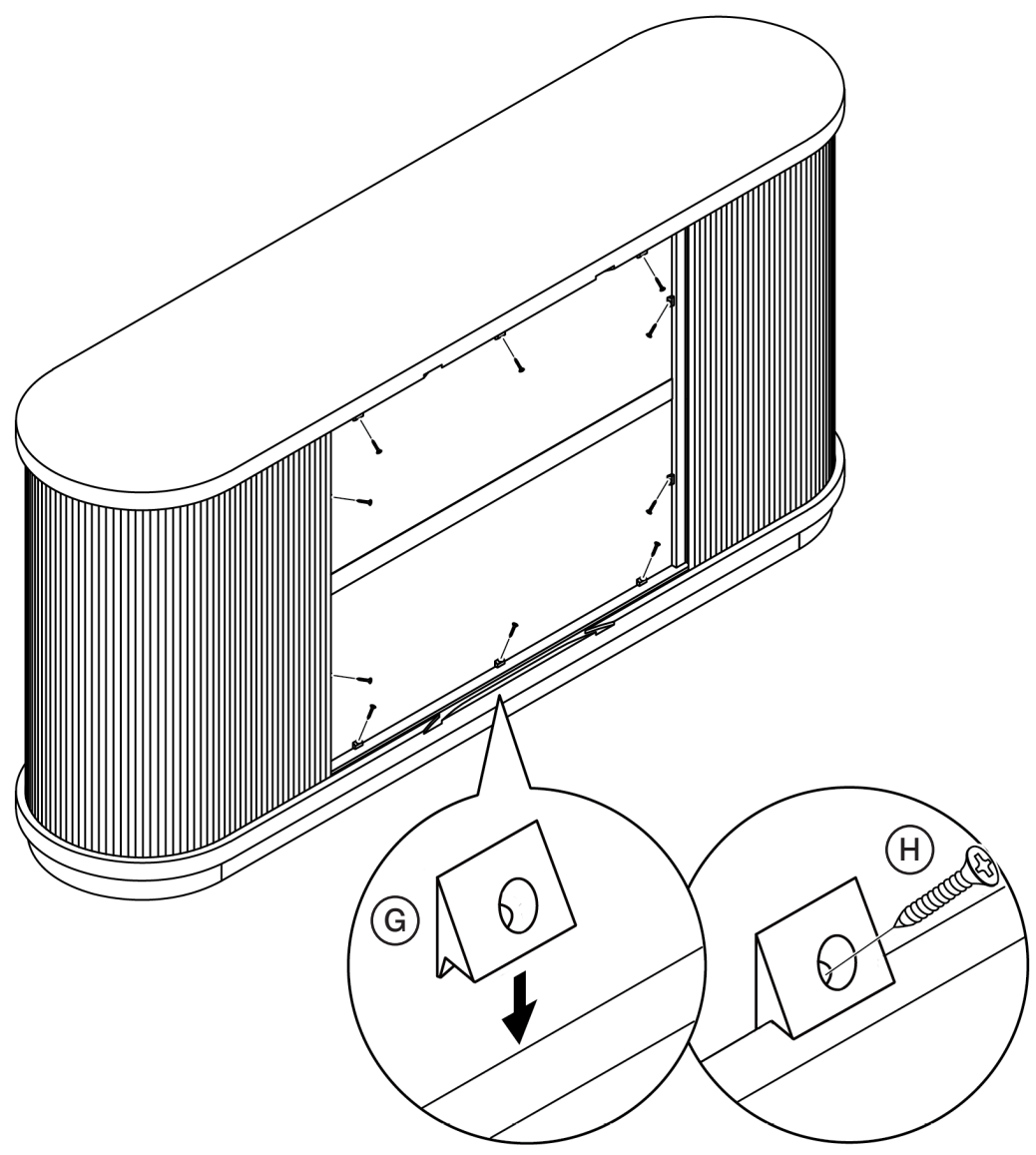
Securing back panel in place



G 10x



H 10x



16

Attaching anti-tipping straps



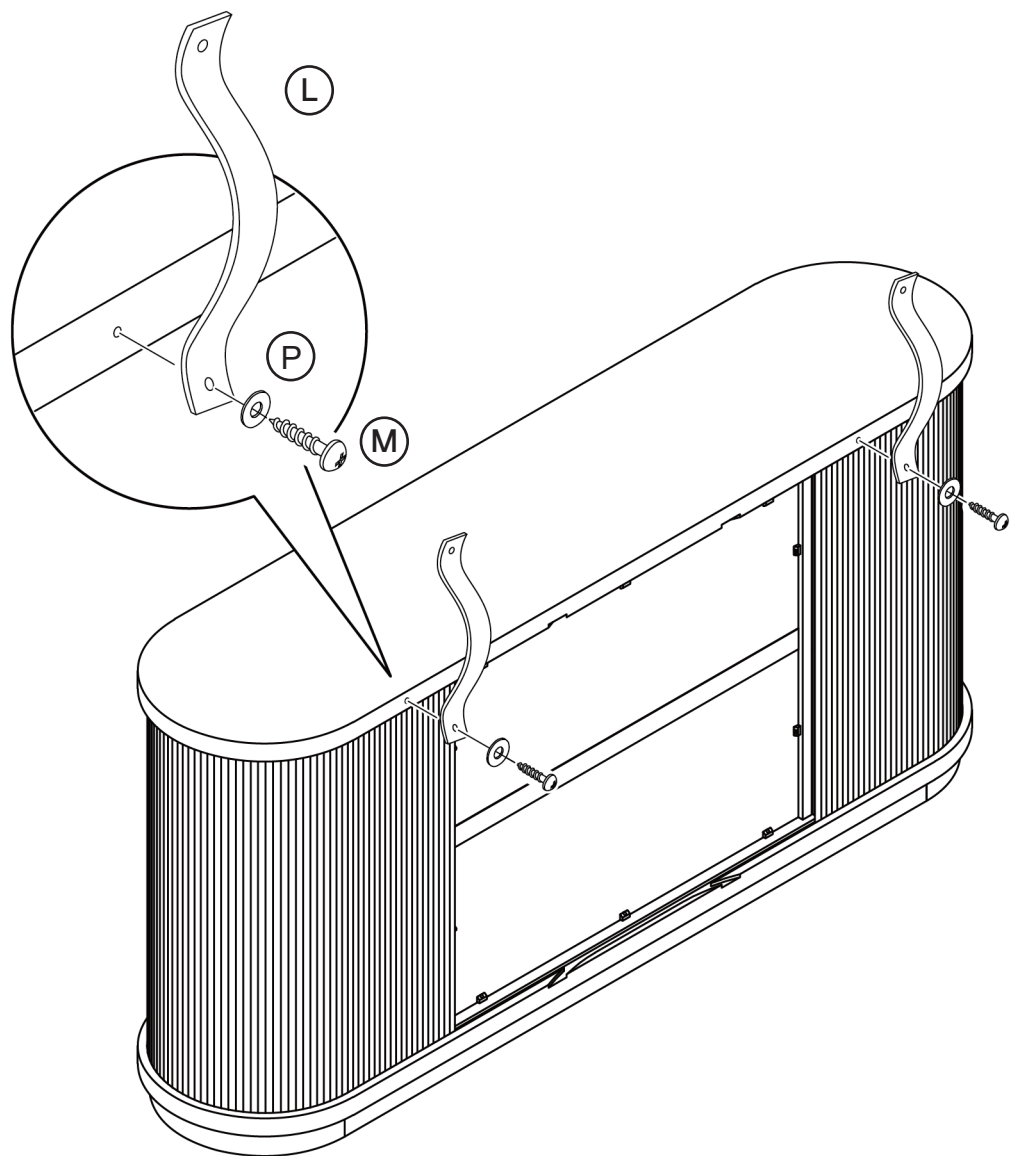
L 2x



M 2x



P 2x



17

Affixing the sideboard to a wall



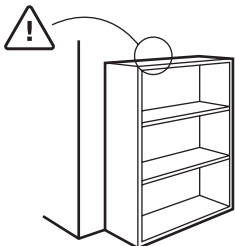
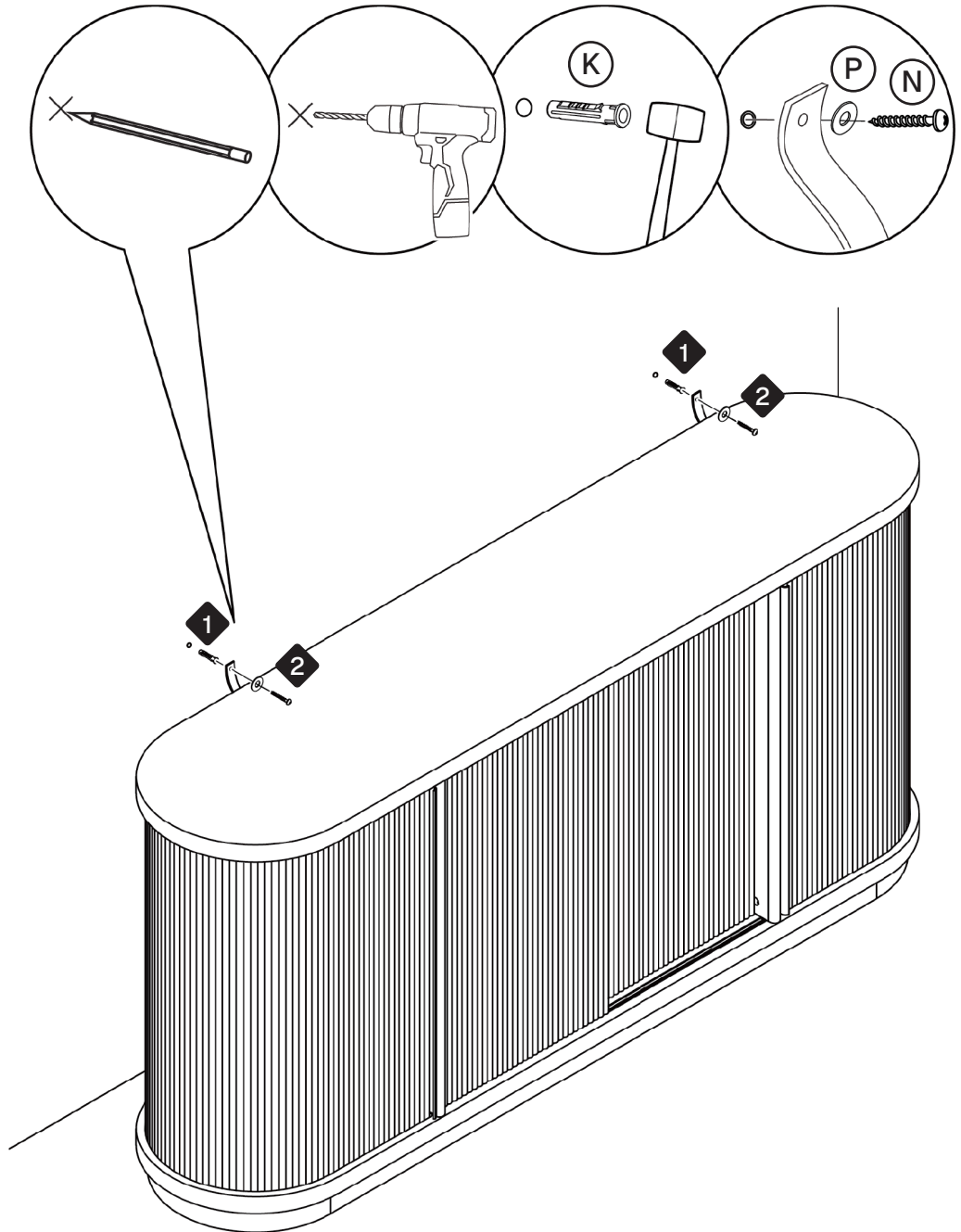
K 2x



N 2x



P 2x



Furniture must permanently fixed to the wall stud with included anti-tipping device to prevent the furniture from tipping over.

- Mark the drill position on the wall with a pencil.
- Drill a small hole on the marked position.
- Insert a wall anchor into the drilled hole.
- Fixed the anti-tipping strap to the wall with provided screws.

*Assembly symbols

1

2

Follow sequential order

Care and Maintenance

Thank you for your purchase. We want your item to last as long as possible. To ensure the product gives you years of longevity, please follow the recommendations in this care and maintenance guide.



Maintenance

- Tighten all bolts and crews again within the first 2 weeks of assembly.
- Check the tightness of all bolts every 2 months and re-tighten them if they come loose.



Cleaning

- Clean the surface of the MDF (medium density fiberboard) with a lightly dampened cloth.
- A small amount of mild soap can be used if necessary.
- Dry the surface immediately after cleaning.



Attention

DO NOT use bleach or alcohol based cleaner to clean the surface.
DO NOT apply wood treatment on parts made with MDF.

MDF will swell and distort when exposed to water damage.
Make sure to dry the furniture immediately after cleaning.



Attention

The manufacturer and seller are not responsible for any and all liability relating to personal injury, property damage or losses, whether direct, indirect, or incidental, resulting from the incorrect attachment, improper use, inadequate maintenance, unapproved modification or neglect of the product.

Warranty

Products comes with a 1-year warranty from the date of delivery. Register your product on our website to enjoy out limited lifetime warranty!

After-Sale Service



Encounter any difficulties or missing parts?



Contact us or email us



We will send you replacement.



Hassle free!
No need to worry about repackaging and sending your item back.